



US00D572905S

(12) **United States Design Patent**
Wu

(10) **Patent No.:** **US D572,905 S**

(45) **Date of Patent:** **** Jul. 15, 2008**

(54) **LEATHER HANDLE**

D504,773 S * 5/2005 Lu D3/318
6,918,475 B2 * 7/2005 Lin et al. 190/115

(75) Inventor: **Chen-Chuan Wu**, Hsin Chuang (TW)

* cited by examiner

(73) Assignee: **Hersun Plastic Co., Ltd.**, Taipei Hsien (TW)

Primary Examiner—Holly H Baynham
(74) *Attorney, Agent, or Firm*—Ming Chow; Sinorica, LLC

(**) Term: **14 Years**

(57) **CLAIM**

(21) Appl. No.: **29/276,025**

The ornamental design of a leather handle, as shown and described.

(22) Filed: **Jan. 12, 2007**

(51) **LOC (8) Cl.** **03-01**

(52) **U.S. Cl.** **D3/318**

(58) **Field of Classification Search** D3/318,
D3/279, 282, 324, 328; D8/302, 306, 316–317,
D8/319–320; 190/18 A, 39, 102–103, 111,
190/115; 16/110.1, 113.1, 114.1, 405
See application file for complete search history.

DESCRIPTION

FIG. 1 is a perspective view of leather handle showing my design;

FIG. 2 is a front elevational view thereof;

FIG. 3 is a rear elevational view thereof;

FIG. 4 is a left elevational view thereof;

FIG. 5 is a right elevational view thereof;

FIG. 6 is a top elevational view thereof, and,

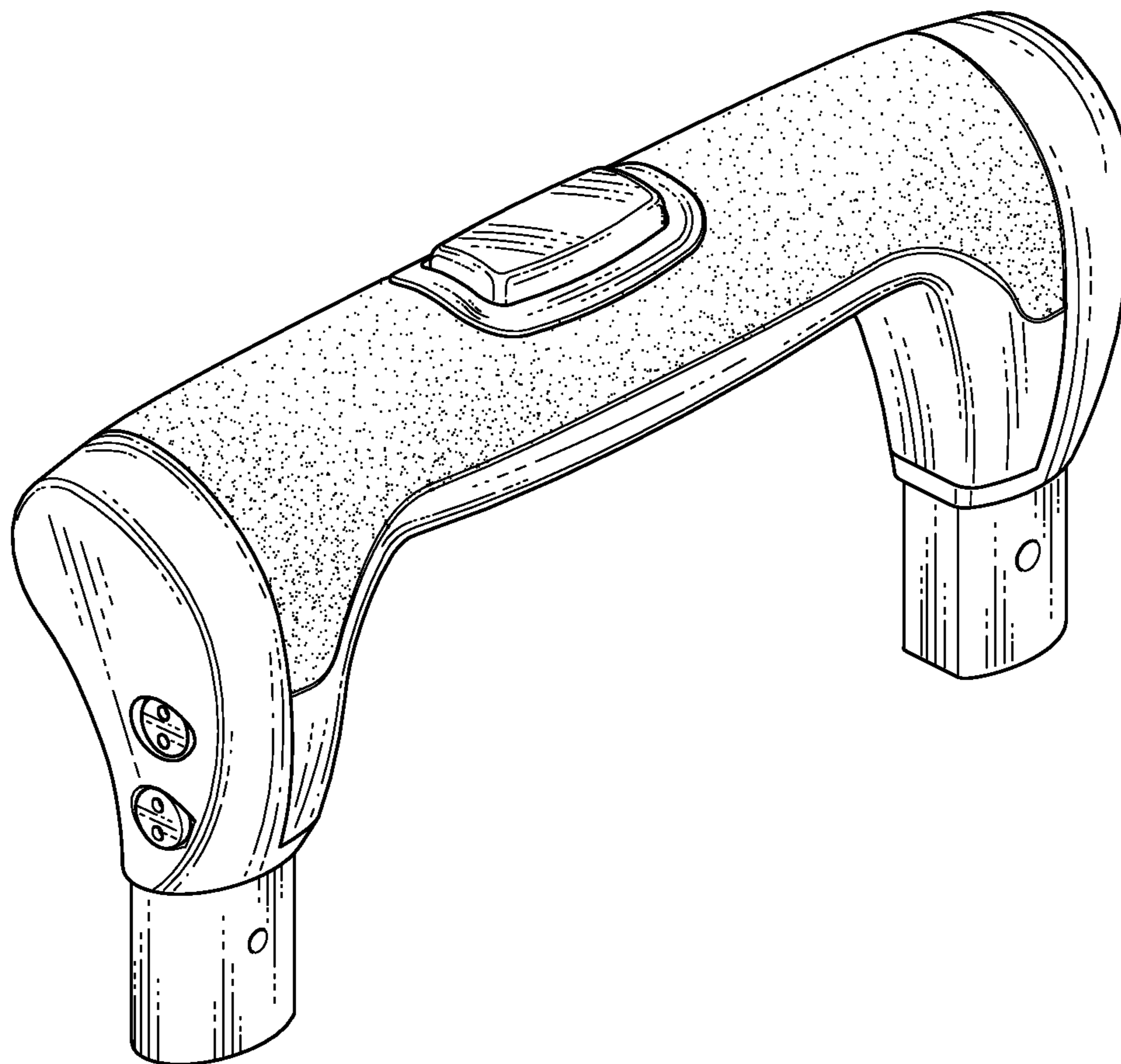
FIG. 7 is a bottom elevational view thereof.

(56) **References Cited**

U.S. PATENT DOCUMENTS

D432,895 S * 10/2000 Lu D8/316
D485,988 S * 2/2004 Moon D3/318

1 Claim, 4 Drawing Sheets



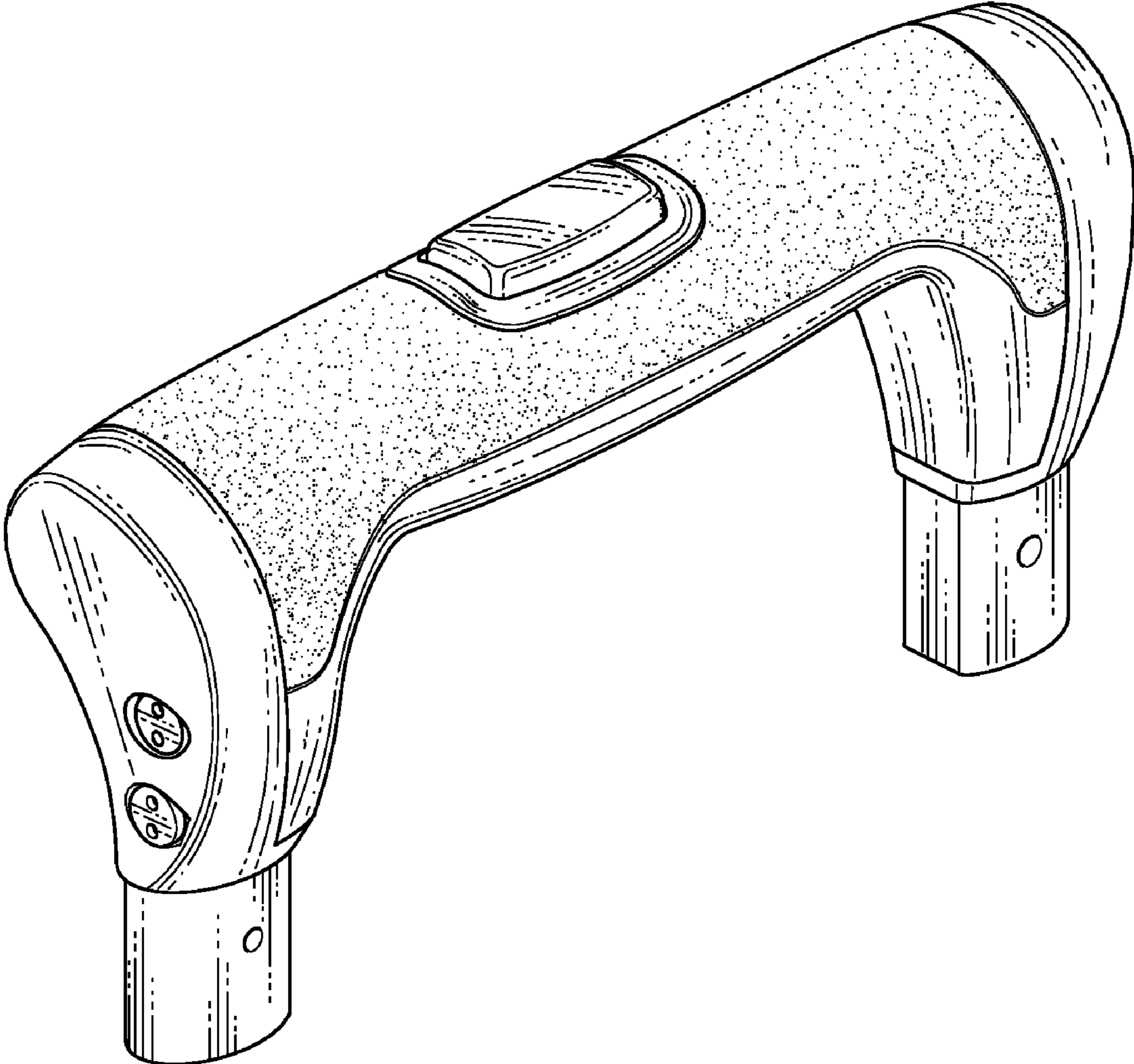


FIG. 1

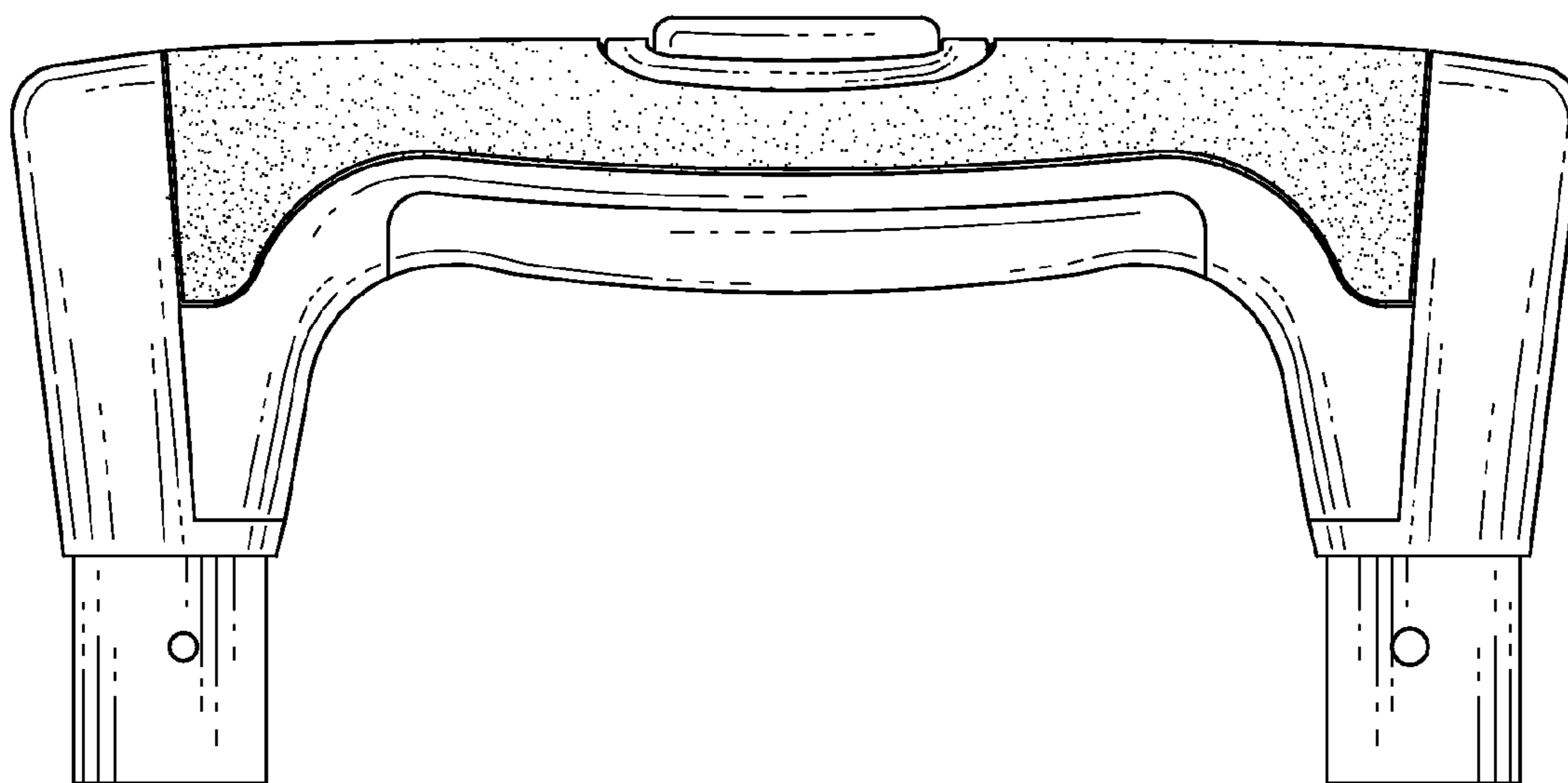


FIG. 2

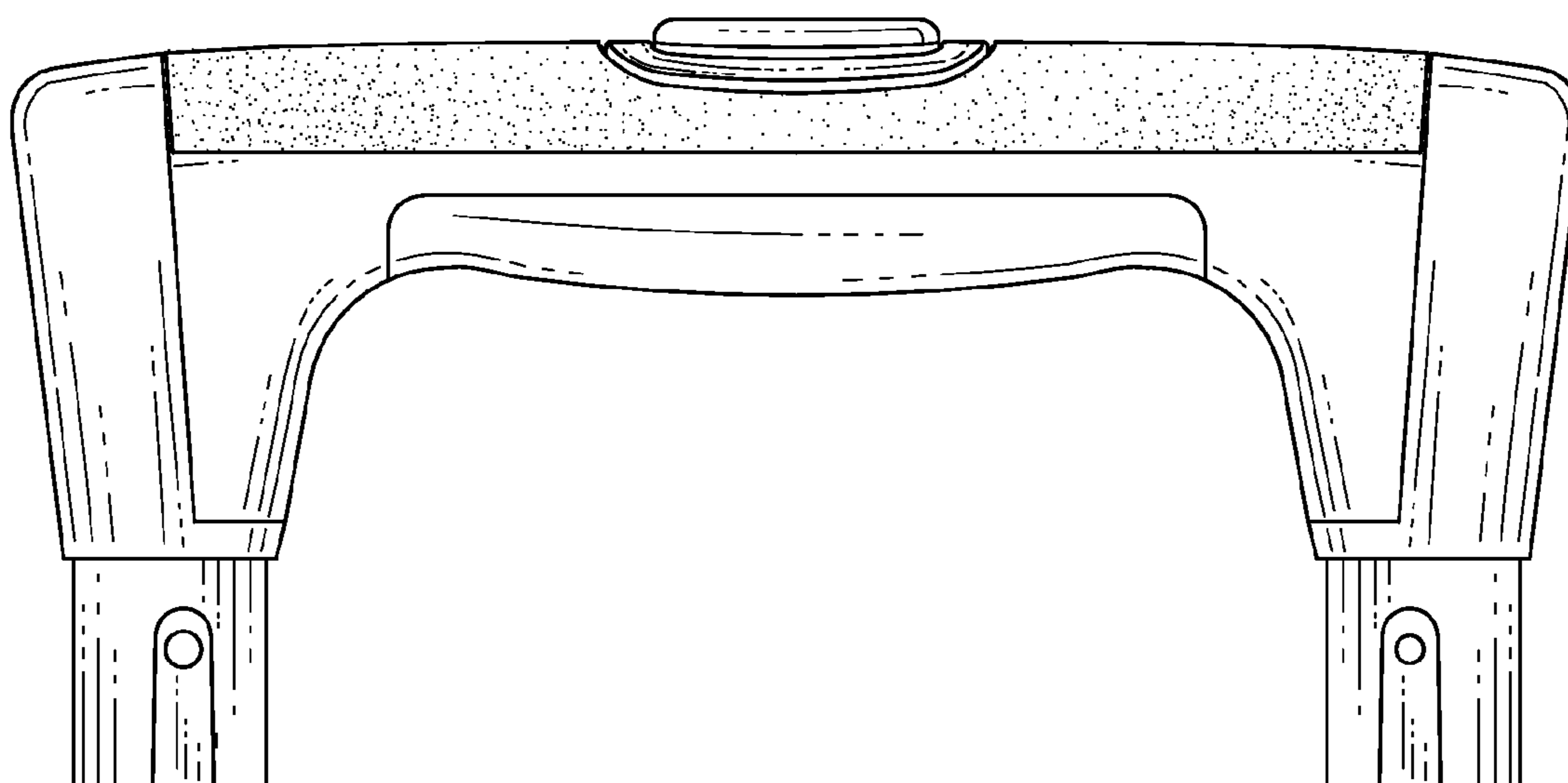


FIG. 3

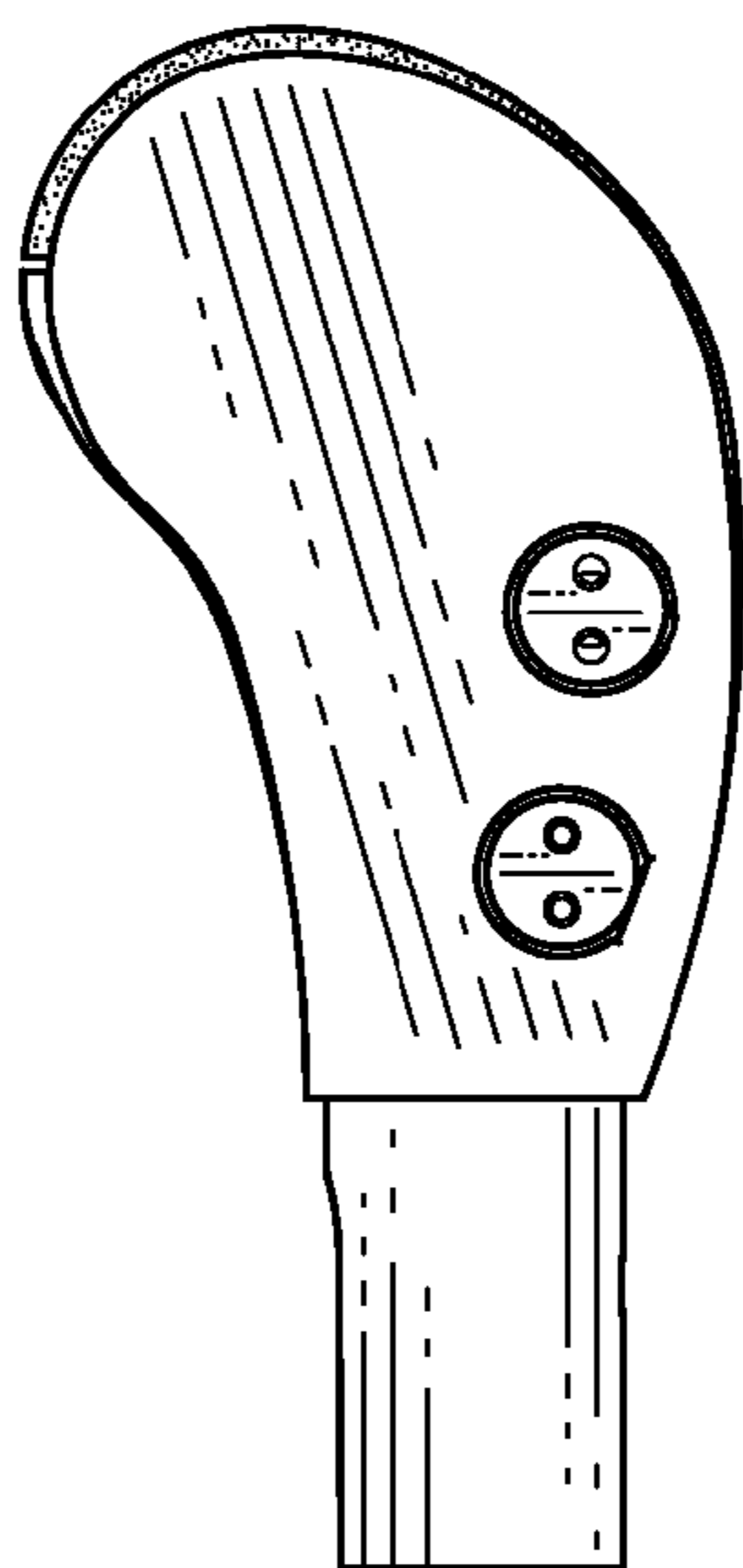


FIG. 4

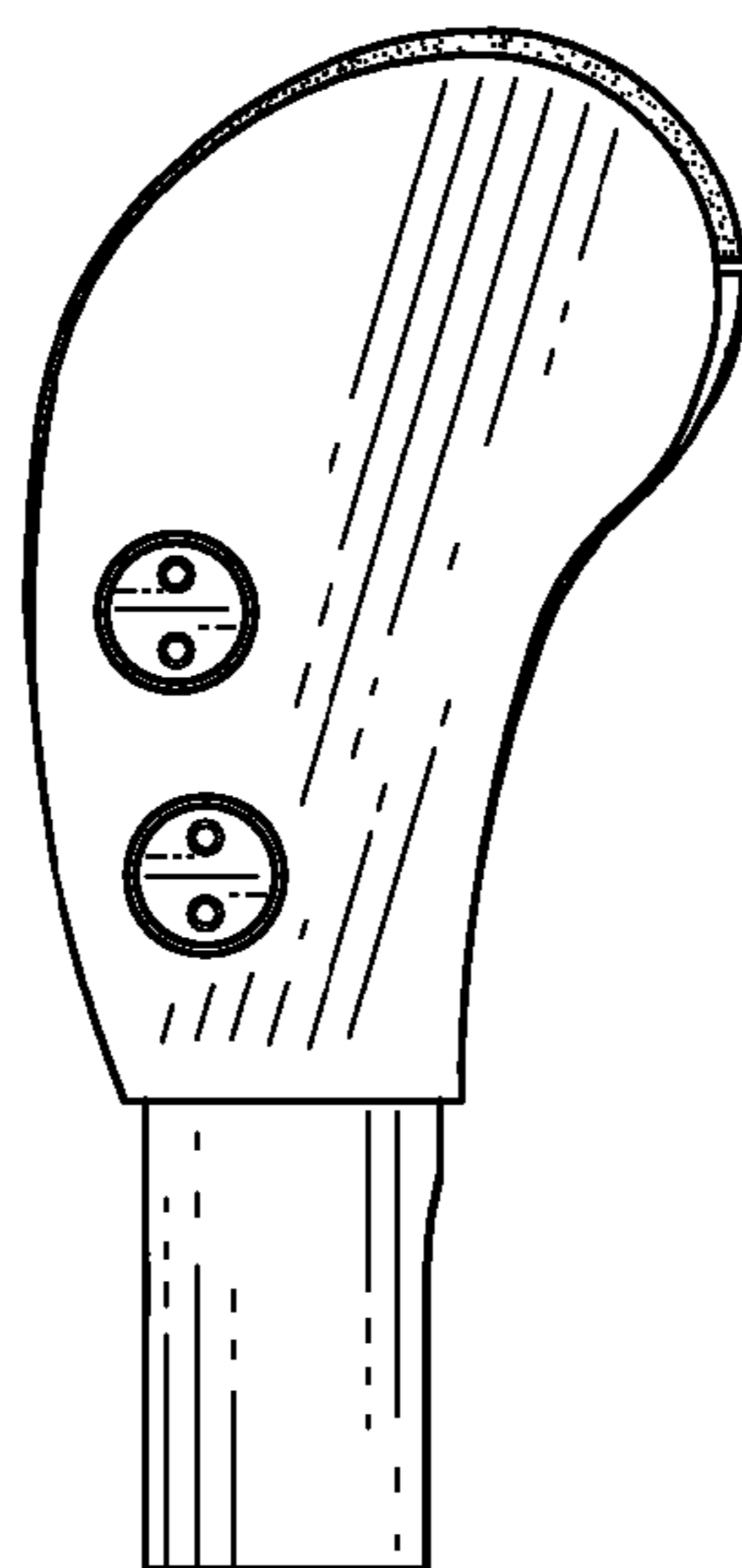


FIG. 5

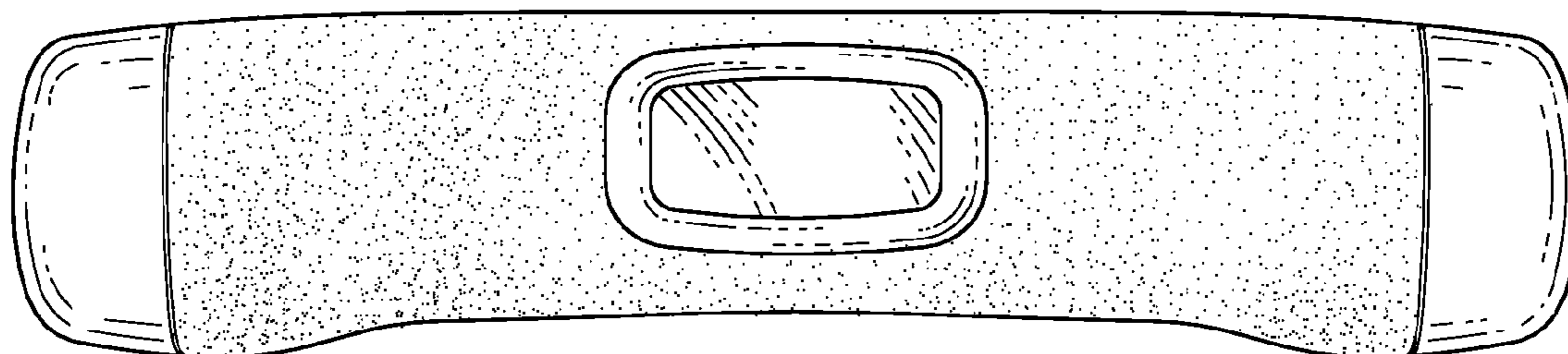


FIG. 6



FIG. 7