



US00D572904S

(12) **United States Design Patent**  
**Beckerman et al.**

(10) **Patent No.:** **US D572,904 S**  
(45) **Date of Patent:** **\*\* Jul. 15, 2008**

(54) **CONTAINER**

(75) Inventors: **Stephen M. Beckerman**, Mendham, NJ (US); **Andrew Serbinski**, Annandale, NJ (US)

(73) Assignee: **Shell Packaging Corporation**, Springfield, NJ (US)

(\*\*) Term: **14 Years**

(21) Appl. No.: **29/269,508**

(22) Filed: **Dec. 1, 2006**

(51) **LOC (8) Cl.** ..... **03-01**

(52) **U.S. Cl.** ..... **D3/304**

(58) **Field of Classification Search** ..... D3/304-315,  
D3/318, 901, 905; D6/516; D7/314, 601;  
D9/427, 432; D32/37; 206/557-566, 513,  
206/505-506, 508, 510, 511; 220/486-495,  
220/752, 760, 762, 764, 768-769, 771, 773,  
220/570, 571, 575, 656-569, 675, DIG. 12,  
220/DIG. 14; D19/75, 90

See application file for complete search history.

(56) **References Cited**

**U.S. PATENT DOCUMENTS**

D230,855 S *	3/1974	Wright et al.	.....	D6/407
D247,645 S *	3/1978	Woodhall	.....	D6/629
D248,705 S *	8/1978	Thomas	.....	D6/448
D254,526 S *	3/1980	Dolphin et al.	.....	D6/510
D265,768 S *	8/1982	Howley	.....	D3/314
D268,379 S *	3/1983	Dishell	.....	D6/631
D274,205 S *	6/1984	Kates	.....	D6/509
D282,883 S *	3/1986	Kiiski	.....	D3/304
4,577,773 A *	3/1986	Bitel	.....	220/533
4,627,535 A *	12/1986	Kirchner et al.	.....	206/387.15
4,722,453 A *	2/1988	Hamilton	.....	220/533
D311,800 S *	10/1990	Kiiski	.....	D3/304
5,060,800 A *	10/1991	Bodet et al.	.....	206/512
5,765,686 A *	6/1998	Wright et al.	.....	206/447
D495,490 S *	9/2004	Garrett et al.	.....	D3/304

**OTHER PUBLICATIONS**

Flexcon the Perfect Container Company, The Perfect Containers For Your Unique Needs catalog, www.quantumstorage.com.  
Flexcon, Containers That Hold Solutions catalog.

\* cited by examiner

*Primary Examiner*—Louis S Zarfaz  
*Assistant Examiner*—Eric L Goodman

(74) *Attorney, Agent, or Firm*—Lerner, David, Littenberg, Krumholz & Mentlik, LLP

(57) **CLAIM**

The ornamental design for a container, as shown and described.

**DESCRIPTION**

FIG. 1 is a perspective view of a first embodiment of a container, showing our new design;

FIG. 2 is a top plan view thereof;

FIG. 3 is a bottom plan view thereof;

FIG. 4 is a left-side elevational view thereof, the right-side elevational view being the mirror image thereof;

FIG. 5 is a front elevational view thereof;

FIG. 6 is a perspective view of a second embodiment of a container, showing our new design;

FIG. 7 is a top plan view of the second embodiment;

FIG. 8 is a left-side elevational view of the second embodiment, the right-side elevational view being the mirror image thereof;

FIG. 9 is a bottom plan view of the second embodiment; and,

FIG. 10 is a front elevational view of the second embodiment.

The broken lines in the drawings showing the side, bottom and interior construction are for illustrative purposes only and form no part of the claimed design.

The rear elevational view of both the first and second embodiments are devoid of ornamentation and form no part of the claimed design.

**1 Claim, 6 Drawing Sheets**

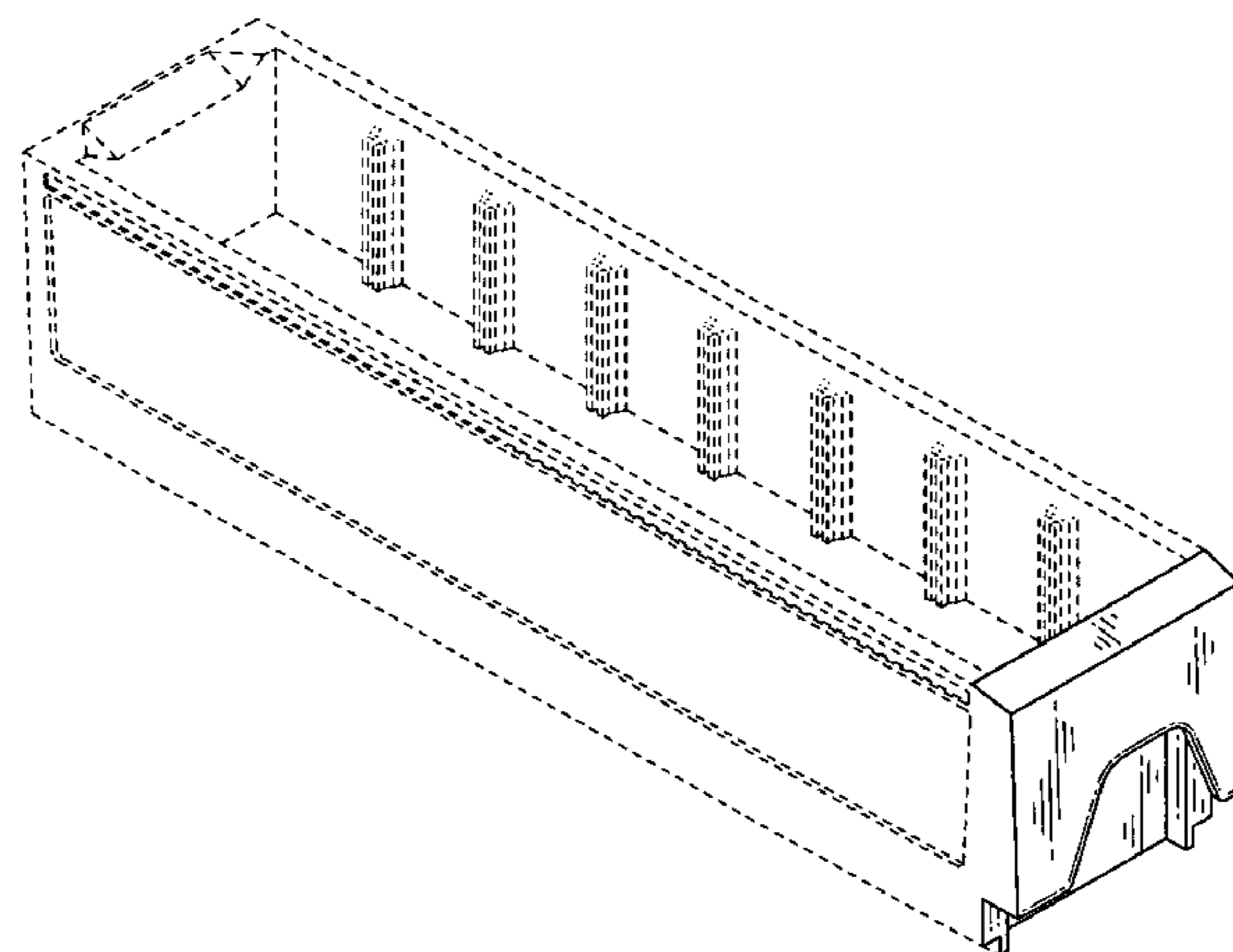


FIG. 1

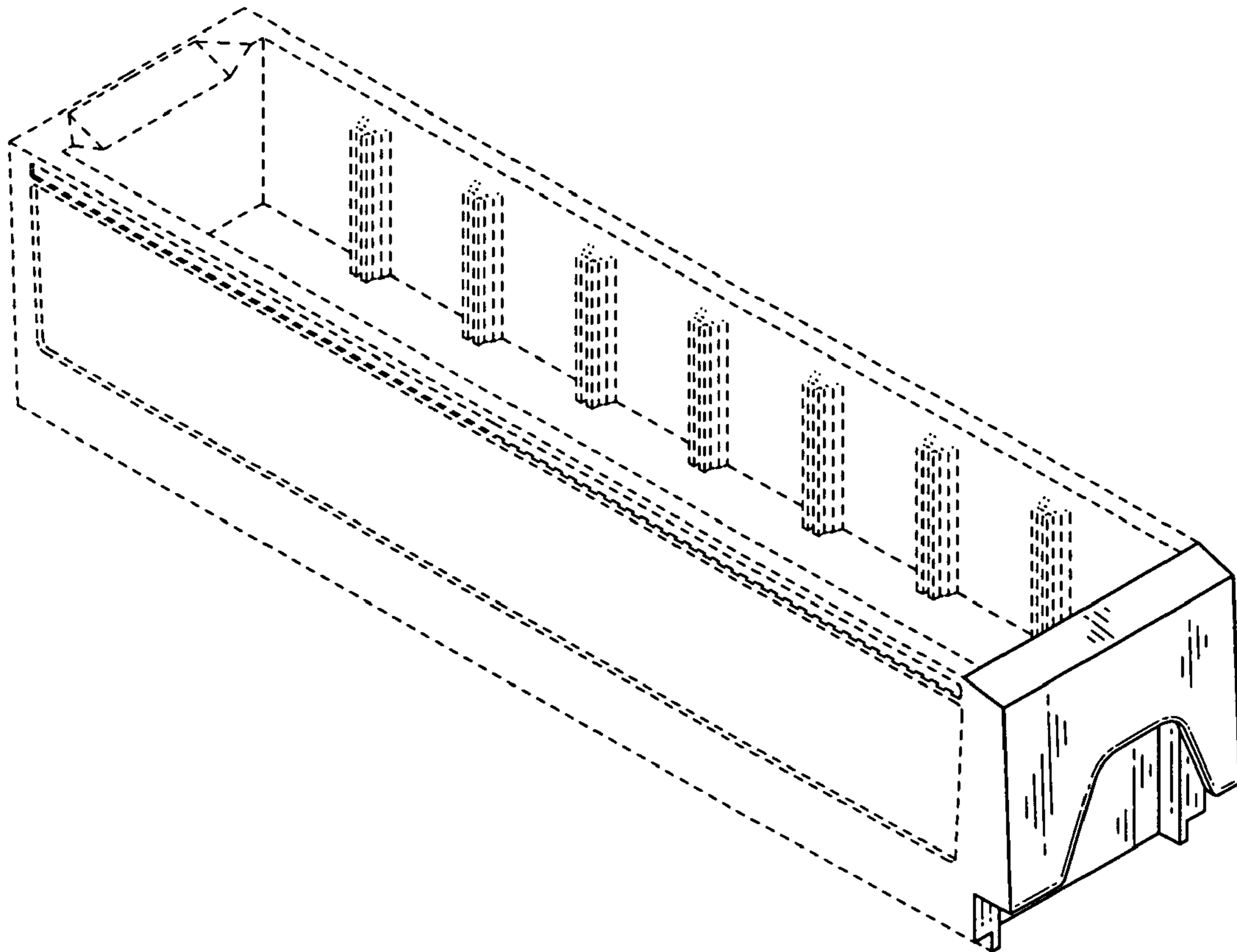


FIG. 2

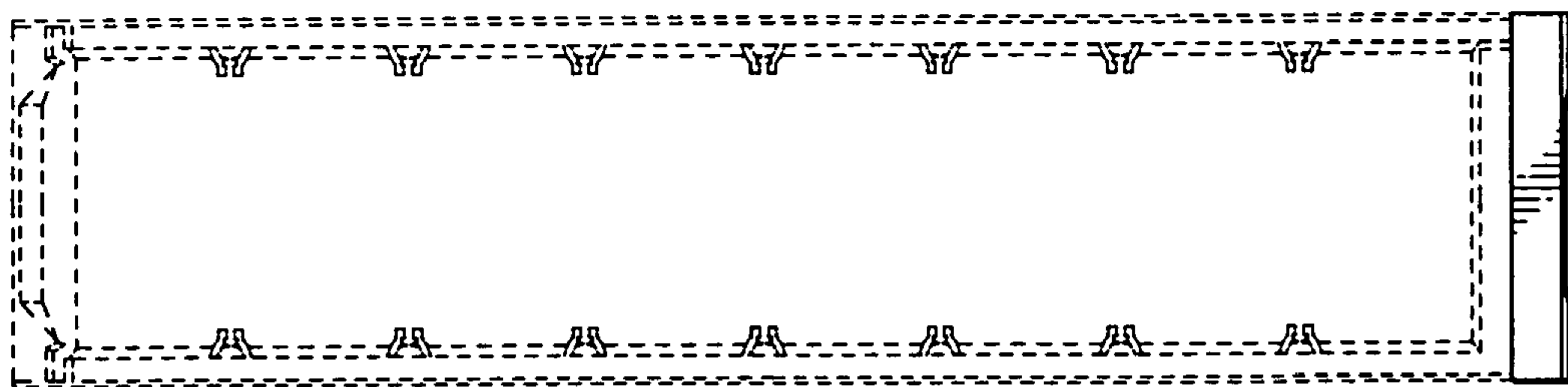


FIG. 3

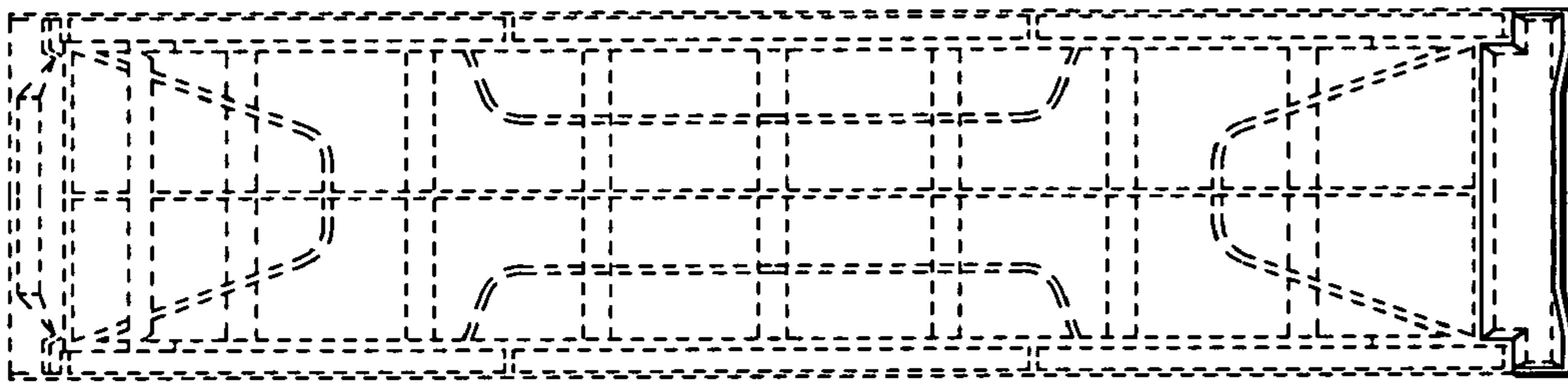
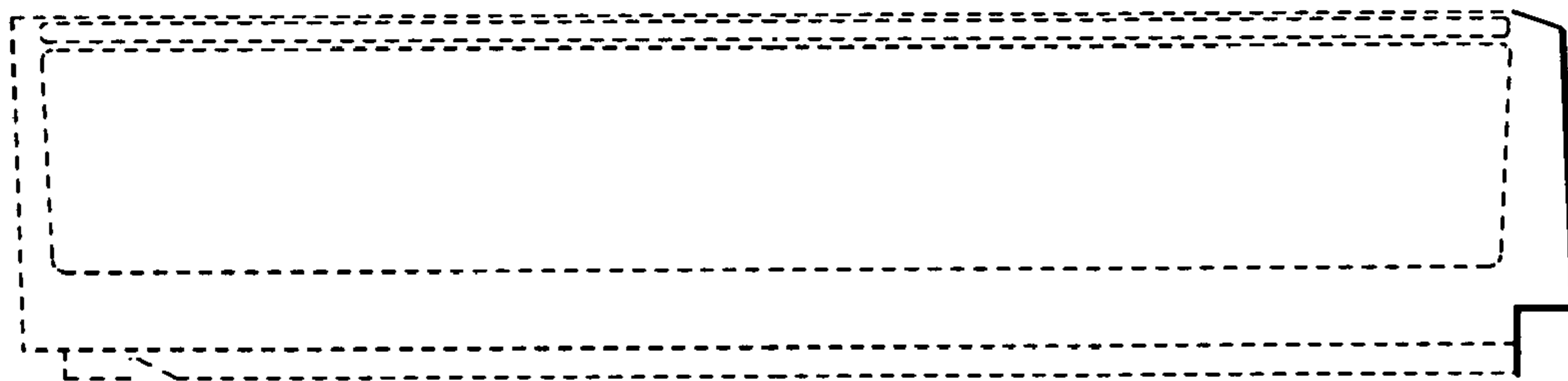


FIG. 4



*FIG. 5*

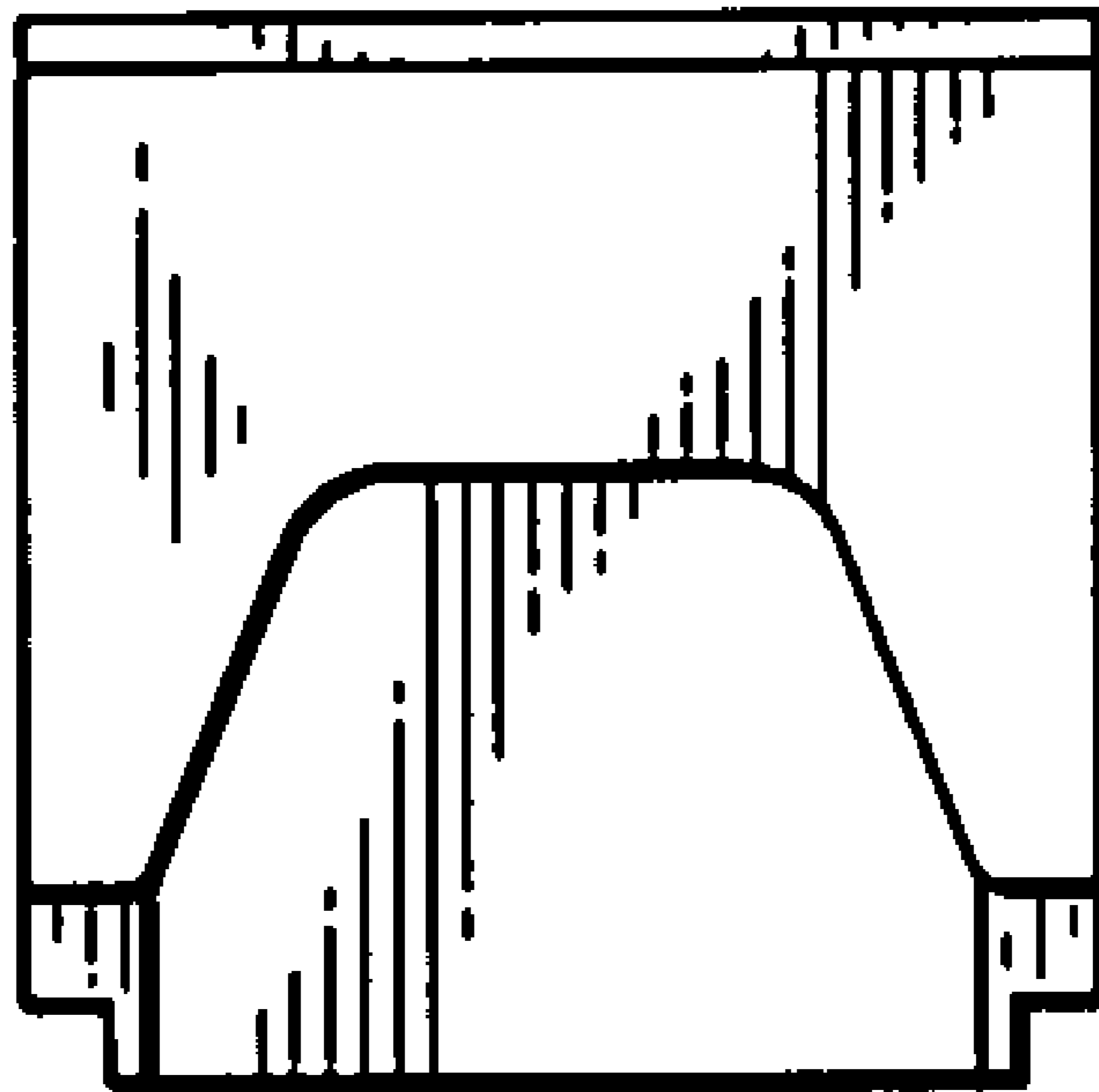


FIG. 6

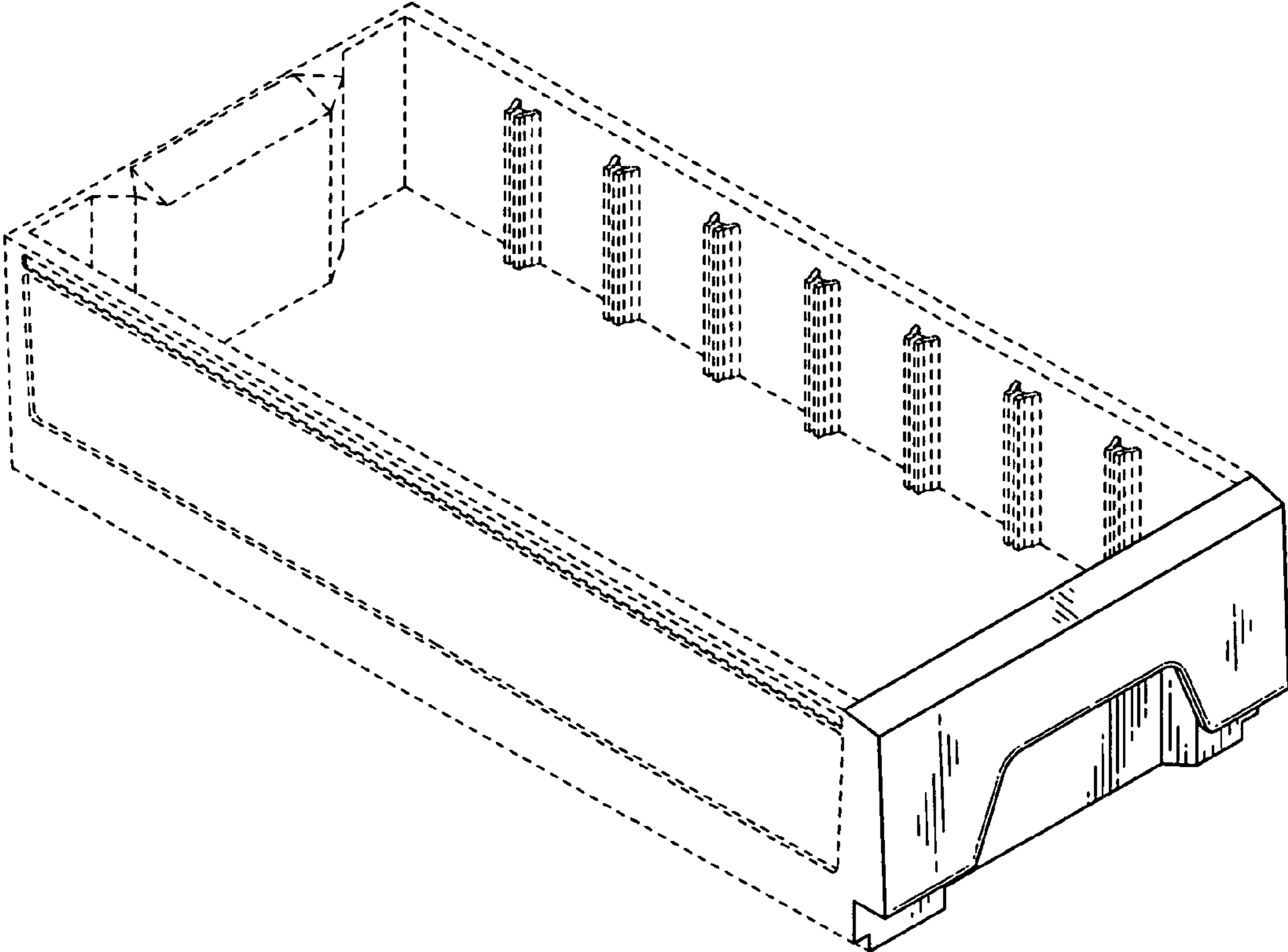
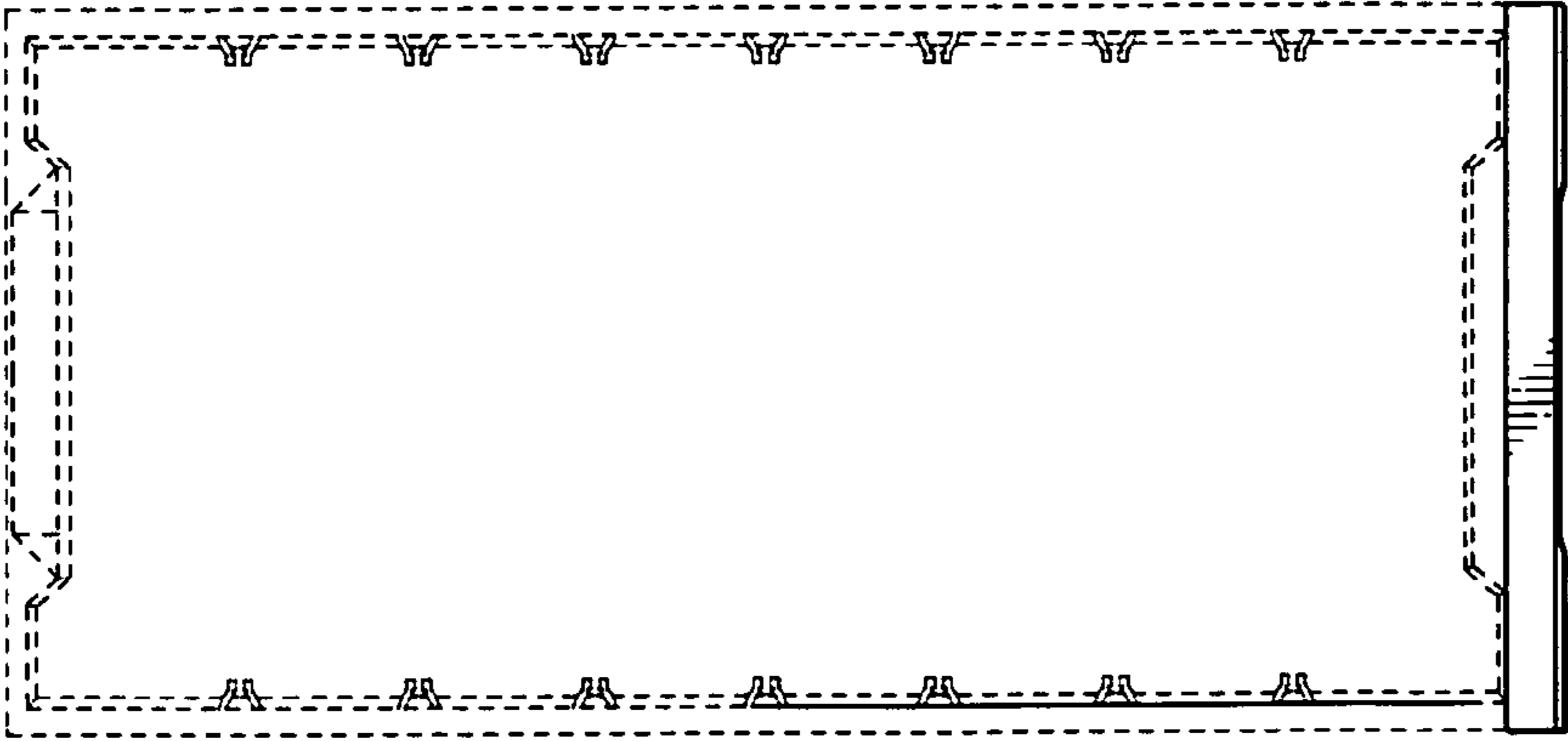
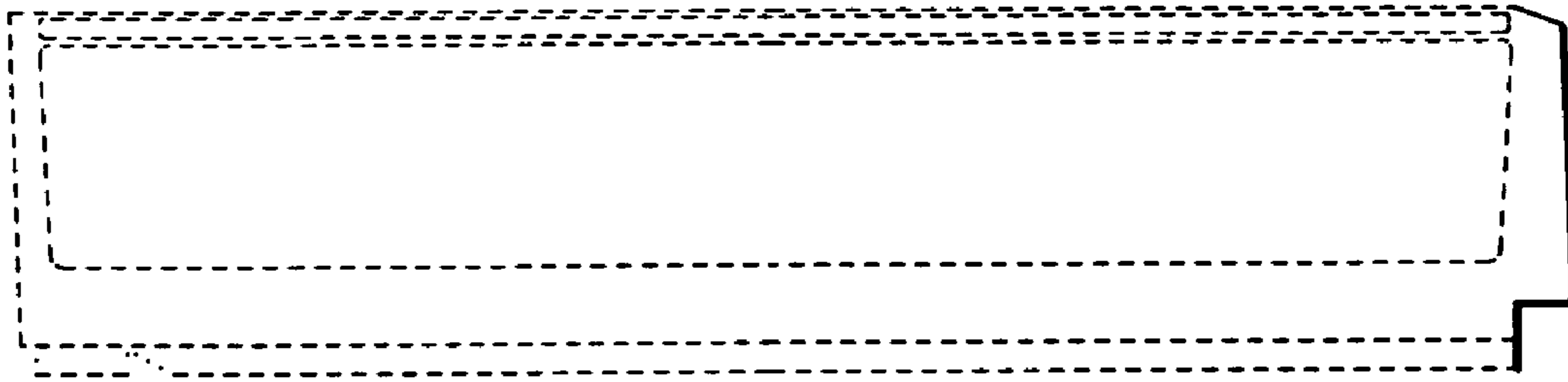


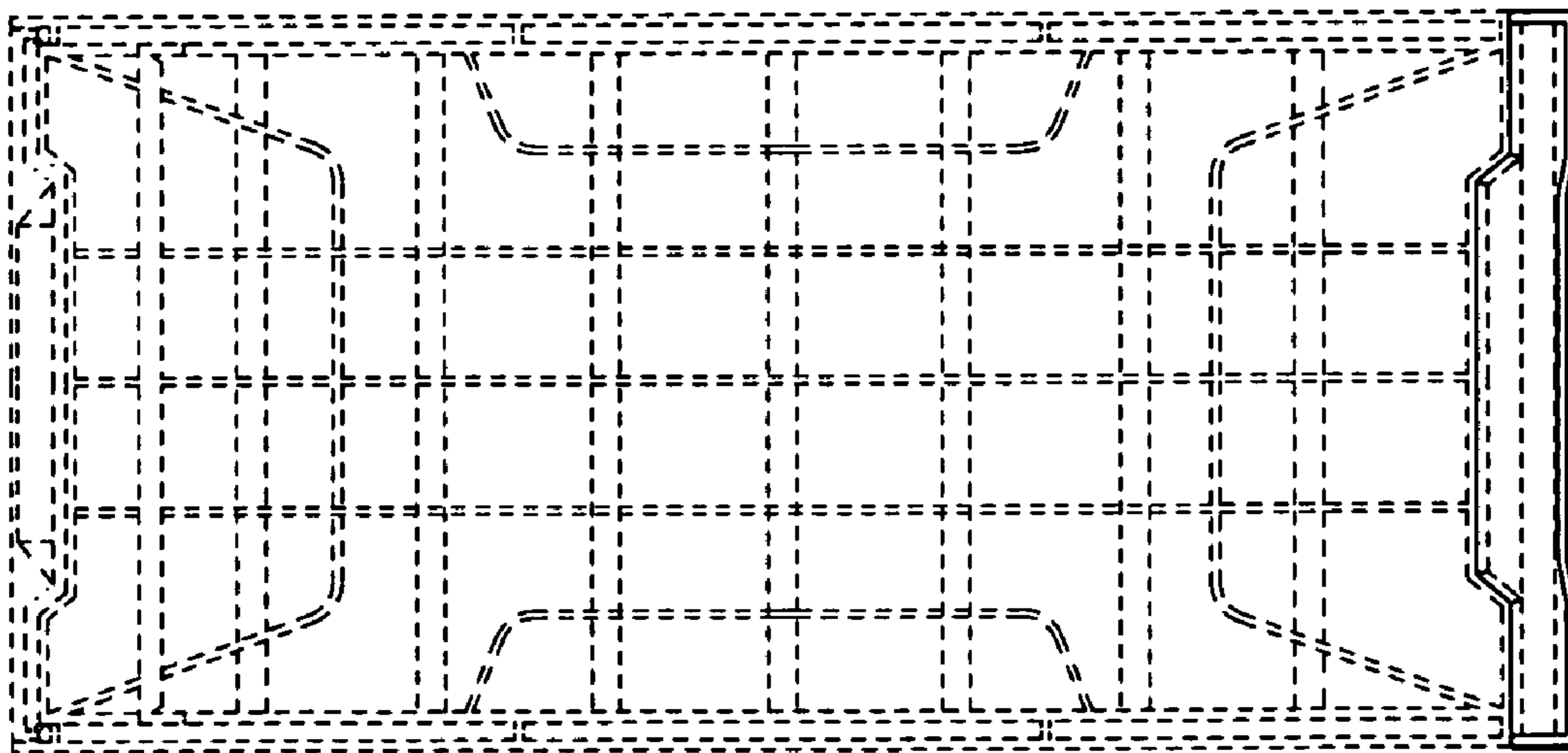
FIG. 7



*FIG. 8*



*FIG. 9*



*FIG. 10*

