



US00D572903S

(12) **United States Design Patent**
McNamara et al.

(10) **Patent No.:** **US D572,903 S**
(45) **Date of Patent:** **** Jul. 15, 2008**

(54) **TOTE**

(75) Inventors: **David McNamara**, North Canton, OH (US); **William H. Walker**, Fairlawn, OH (US)

(73) Assignee: **Rubbermaid, Inc.**, Fairlawn, OH (US)

(**) Term: **14 Years**

(21) Appl. No.: **29/280,048**

(22) Filed: **May 15, 2007**

(51) **LOC (8) Cl.** **03-01**

(52) **U.S. Cl.** **D3/302; D3/282**

(58) **Field of Classification Search** D3/272-273, D3/276, 282, 294-295, 302, 304, 307, 312, D3/314, 323, 905; D7/602; D9/424-426, D9/430-432; D22/136; D34/1, 11; 206/372, 206/503, 505, 507-508; 220/675, 835
See application file for complete search history.

(56) **References Cited**

U.S. PATENT DOCUMENTS

D246,828 S	1/1978	White	
D246,872 S	1/1978	White	
D302,774 S	8/1989	Murphy	
D308,942 S *	7/1990	Thundercliffe	D9/425
D326,345 S *	5/1992	Mandell et al.	D3/312
D329,331 S	9/1992	Hobson	
D335,563 S	5/1993	Juergens	
D339,471 S	9/1993	Maple et al.	
D351,284 S *	10/1994	Kruger	D3/314
D355,765 S	2/1995	Miller	
D355,766 S	2/1995	Miller	
D356,891 S	4/1995	Hobson	
D357,120 S	4/1995	Miller	
D358,328 S	5/1995	Huerto et al.	
D360,898 S	8/1995	Huerto et al.	
D362,117 S	9/1995	Koenig et al.	

D363,604 S	10/1995	Koenig et al.
D367,361 S	2/1996	Kobilarcik et al.
D368,161 S	3/1996	Miller
D368,162 S	3/1996	Miller

(Continued)

Primary Examiner—Philip Hyder
Assistant Examiner—R. L. [Ulm] Cody

(74) *Attorney, Agent, or Firm*—Dennis J. Williamson; Moore & VanAllen PLLC

(57) **CLAIM**

We claim the ornamental design for a tote, as shown and described.

DESCRIPTION

FIG. 1 is a perspective view showing our new design for a tote with the lid attached;

FIG. 2 is a top view showing our new design shown in FIG. 1;

FIG. 3 is a bottom view showing our new design shown in FIG. 1;

FIG. 4 is a front view showing our new design shown in FIG. 1, the back view being identical;

FIG. 5 is a side view showing our new design shown in FIG. 1, the other side view being identical.

FIG. 6 is a perspective view showing our new design for a tote with the lid removed;

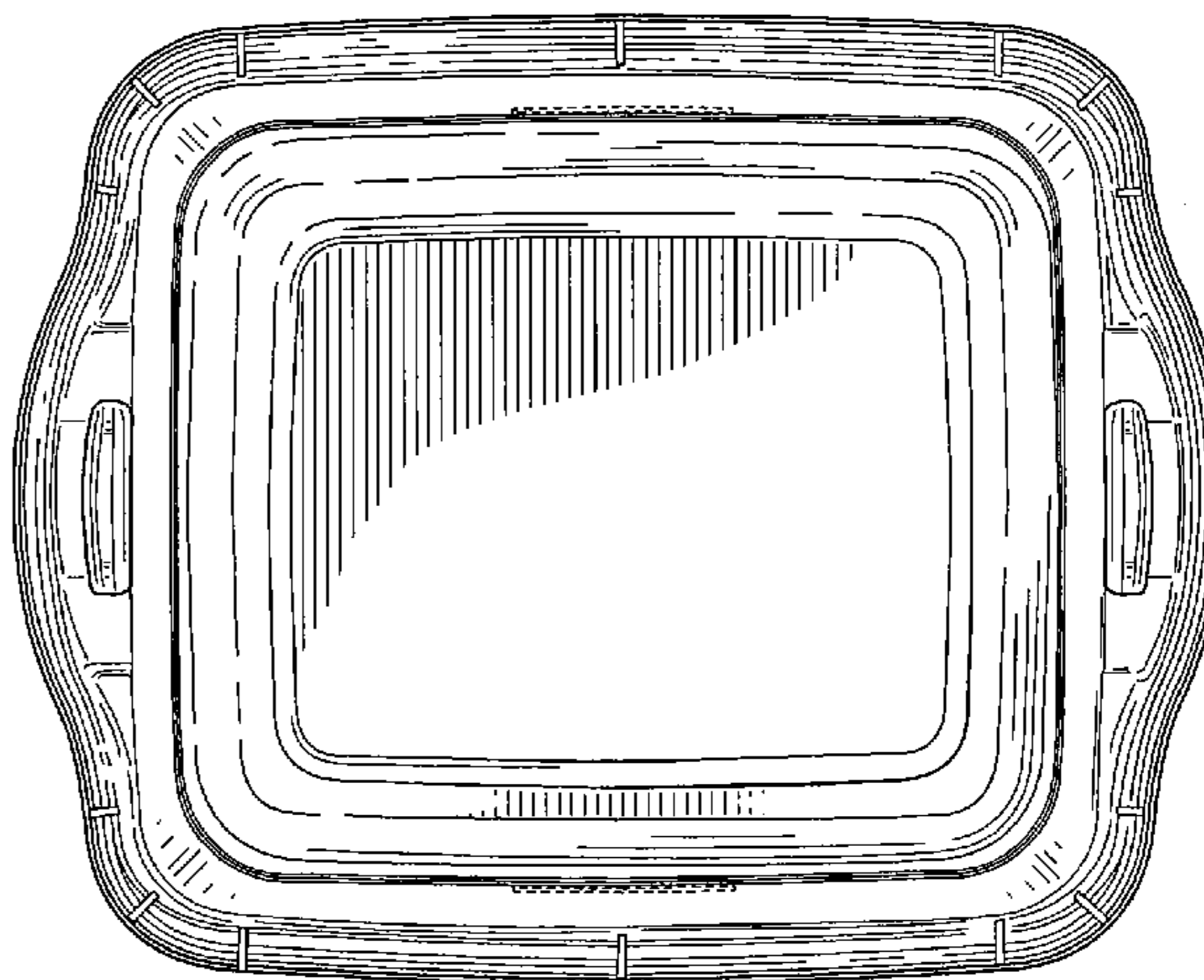
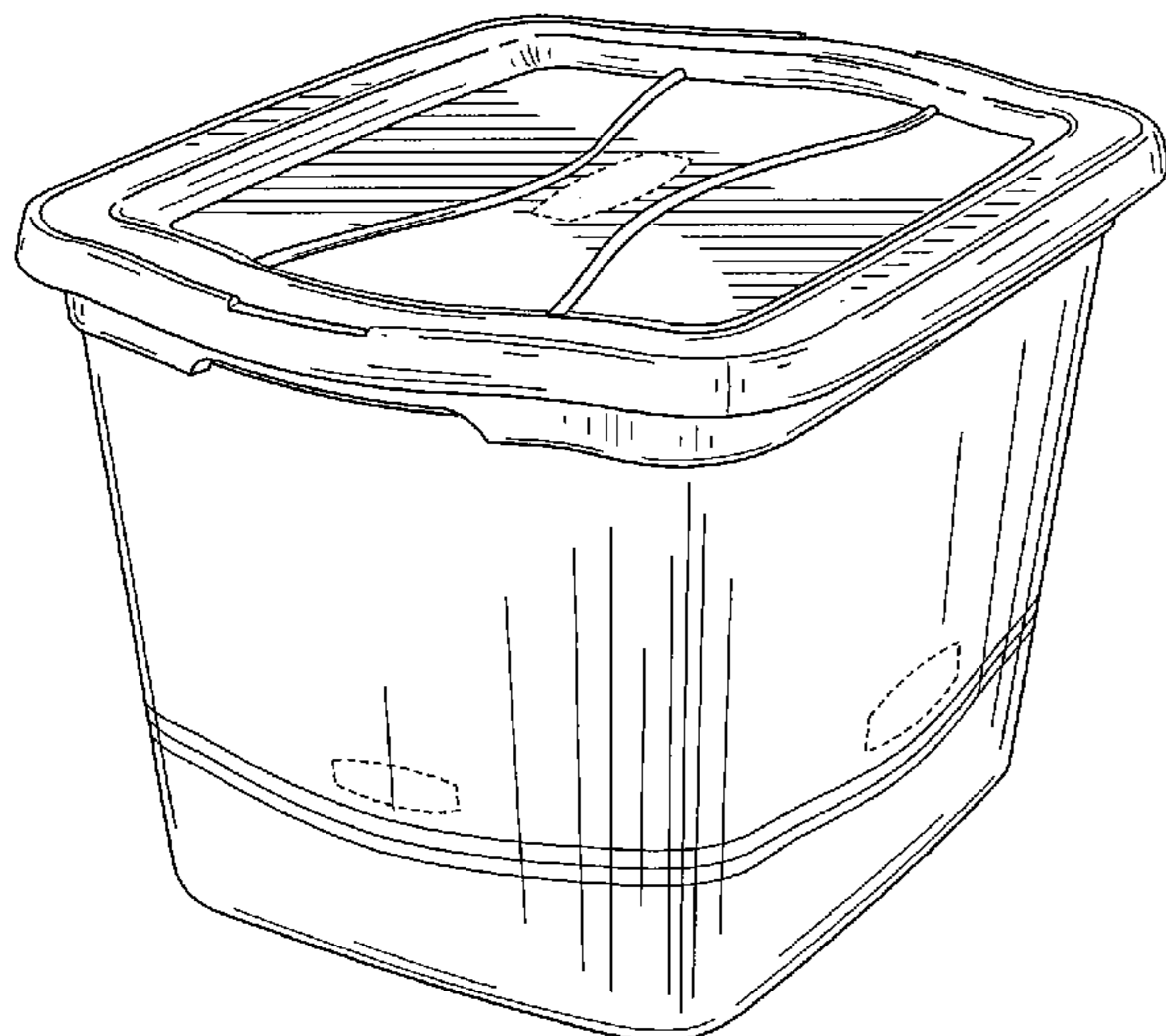
FIG. 7 is a top view showing our new design shown in FIG. 6;

FIG. 8 is a side view showing our new design shown in FIG. 6, the other side view being identical; and,

FIG. 9 is a front view showing our new design shown in FIG. 6, the back view being identical.

The broken line portions of FIGS. 1, 2, 5, 6, 8, and 9 are included for the purpose of illustrating unclaimed structure.

1 Claim, 5 Drawing Sheets



US D572,903 S

Page 2

U.S. PATENT DOCUMENTS					
5,507,385 A	4/1996	Koloski et al.	D398,151 S	9/1998	Ahern, Jr.
D370,345 S	6/1996	Wolff	D403,924 S *	1/1999	Carlson D7/602
D370,346 S *	6/1996	Zimmerman D3/314	D404,571 S *	1/1999	Evans D3/312
D372,123 S	7/1996	Kobilarcik et al.	D420,799 S	2/2000	Douglas et al.
D376,260 S	12/1996	Haley et al.	D421,678 S	3/2000	Levy
D376,693 S	12/1996	Wolff	D426,064 S	6/2000	Douglas et al.
D378,552 S *	3/1997	Lippisch D3/273	D427,769 S *	7/2000	Zimmerman D3/302
D379,122 S	5/1997	Wolff	D439,406 S *	3/2001	Zimmerman D3/273
D381,512 S	7/1997	Green	D511,247 S *	11/2005	Tsuchiya D3/273
D387,530 S	12/1997	Doxey	D514,389 S	2/2006	Luna et al.
D387,558 S	12/1997	Mann et al.	D518,958 S *	4/2006	Yourist D3/302
D388,957 S	1/1998	Wolff	D531,802 S *	11/2006	Zimmerman D3/302
D390,007 S	2/1998	Ahern, Jr.	D536,498 S	2/2007	Presnell
D390,703 S	2/1998	Haley	D540,039 S *	4/2007	van Beuningen D3/314
5,718,350 A	2/1998	Williams	2004/0149762 A1 *	8/2004	Shepler et al. 220/675
D394,554 S	5/1998	Mann et al.	2006/0186014 A1 *	8/2006	Ramanujam et al. 206/508
D397,553 S *	9/1998	Zimmerman D3/314			

* cited by examiner

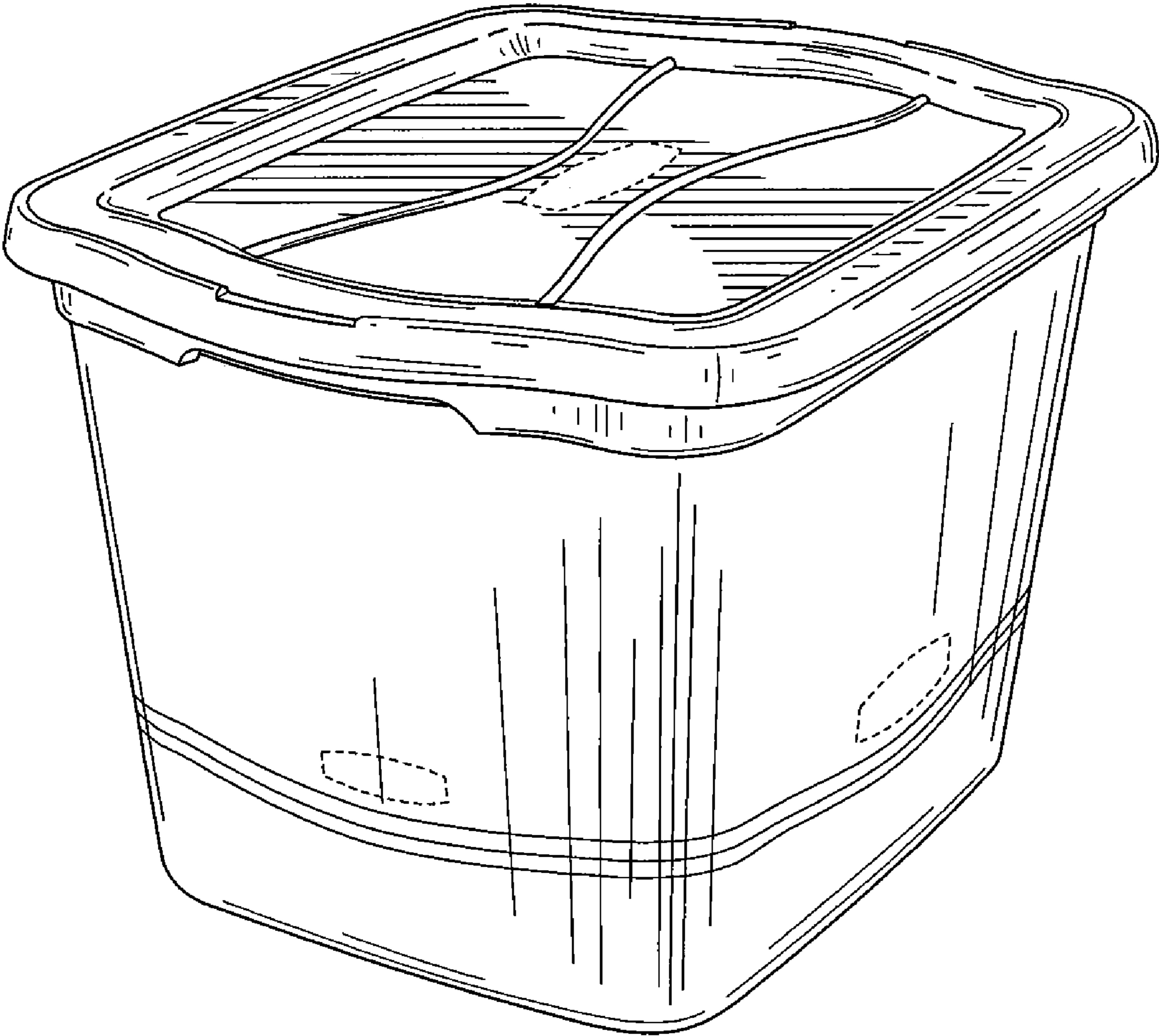


FIG. 1

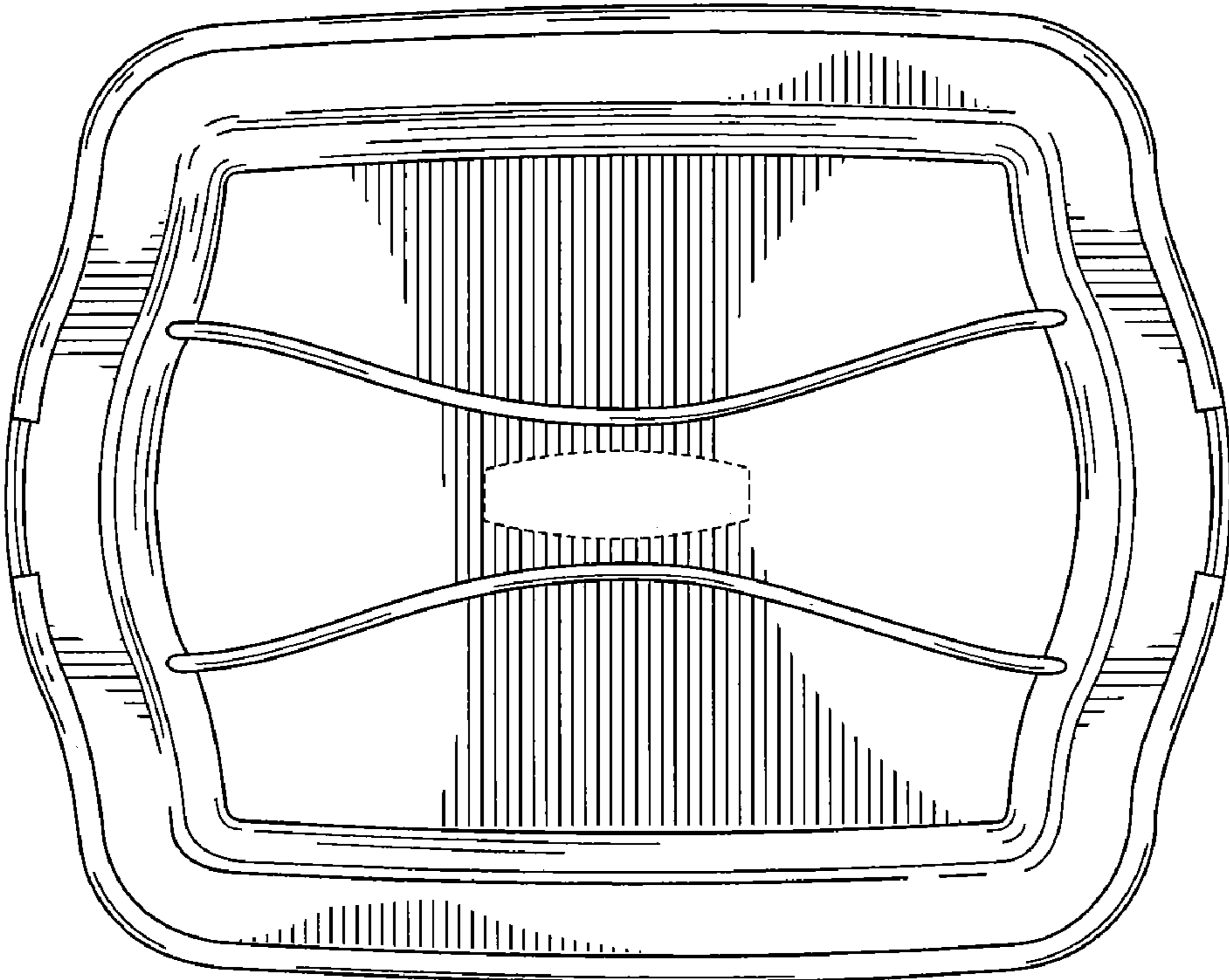


FIG. 2

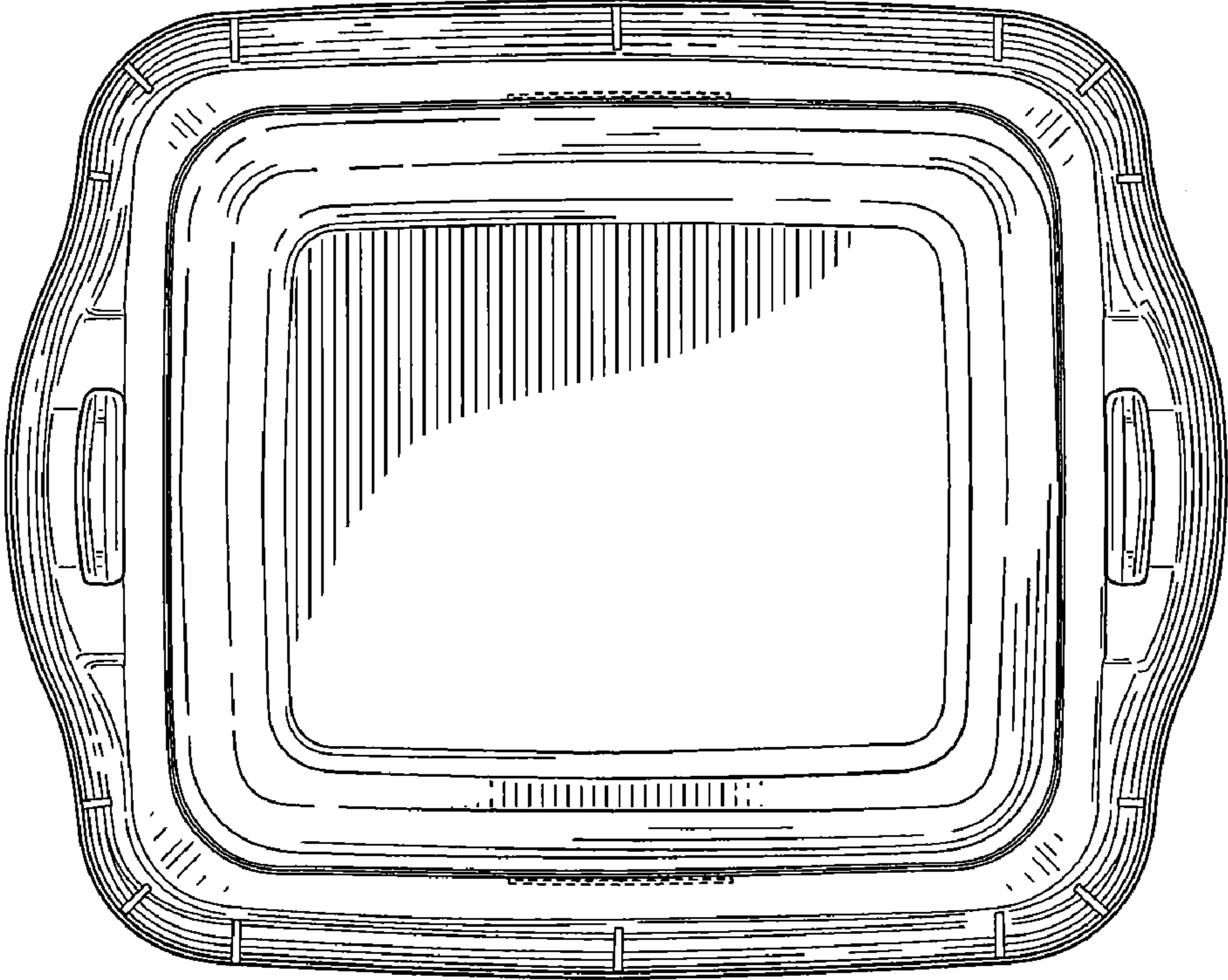


FIG. 3

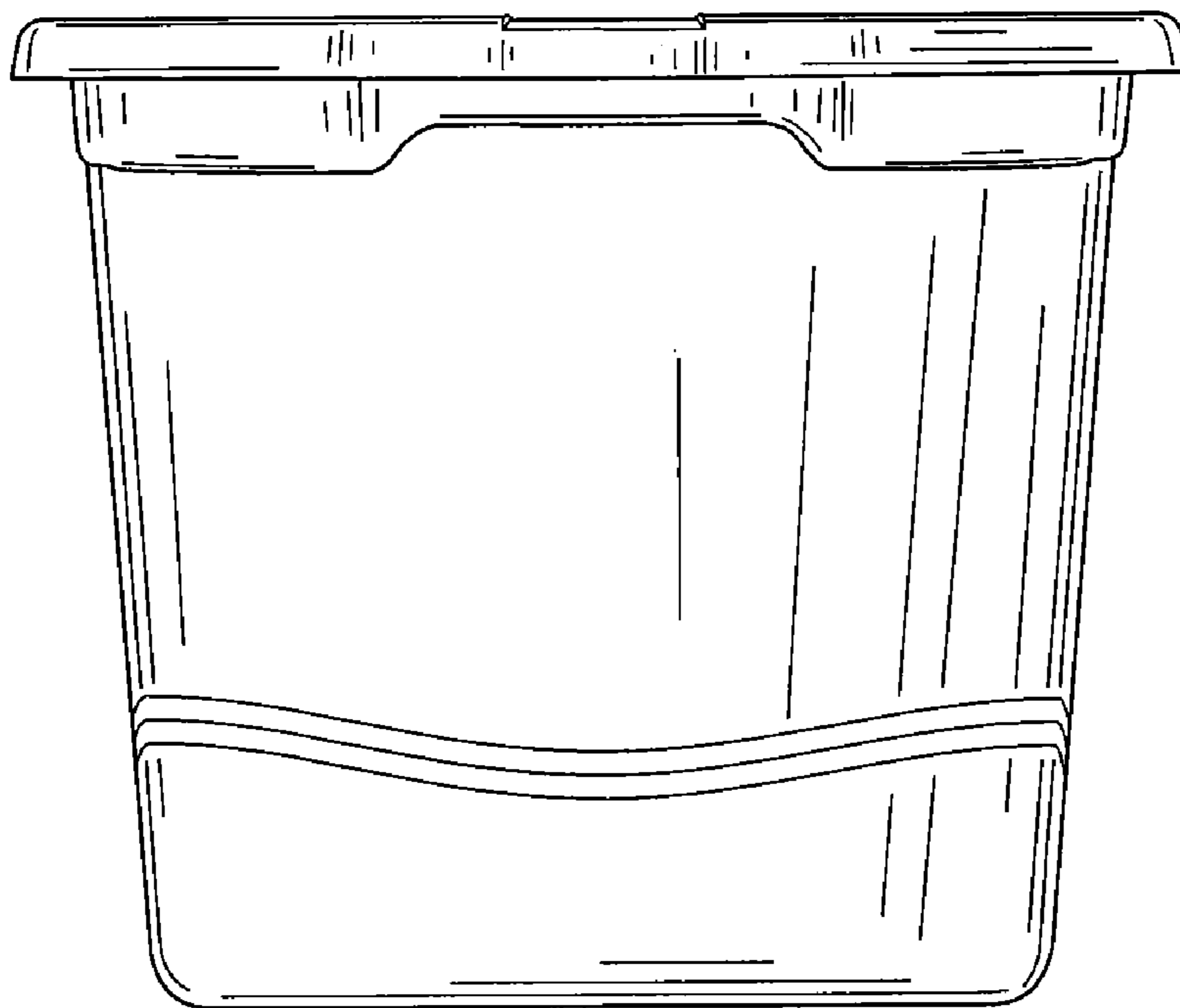


FIG. 4

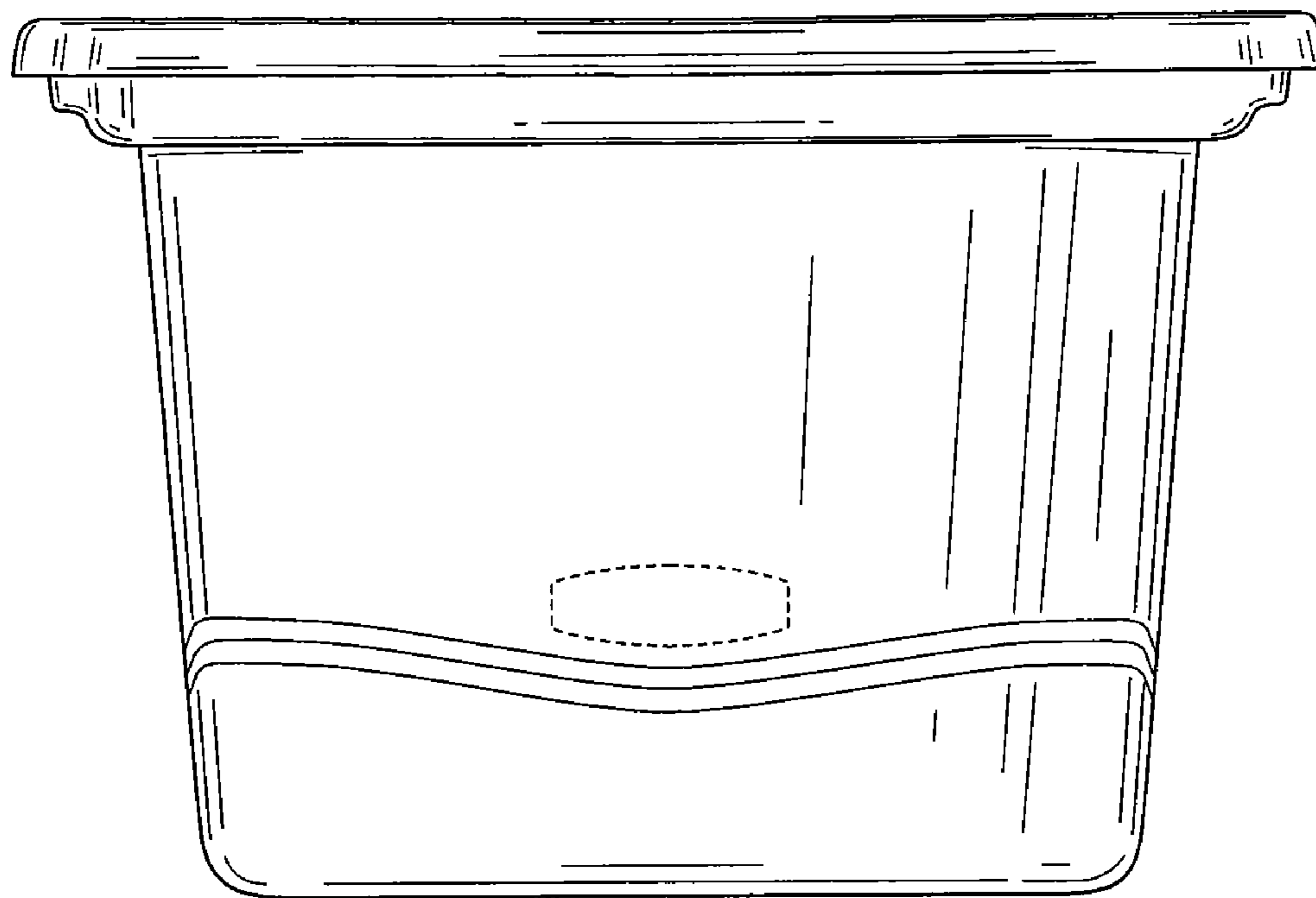


FIG. 5

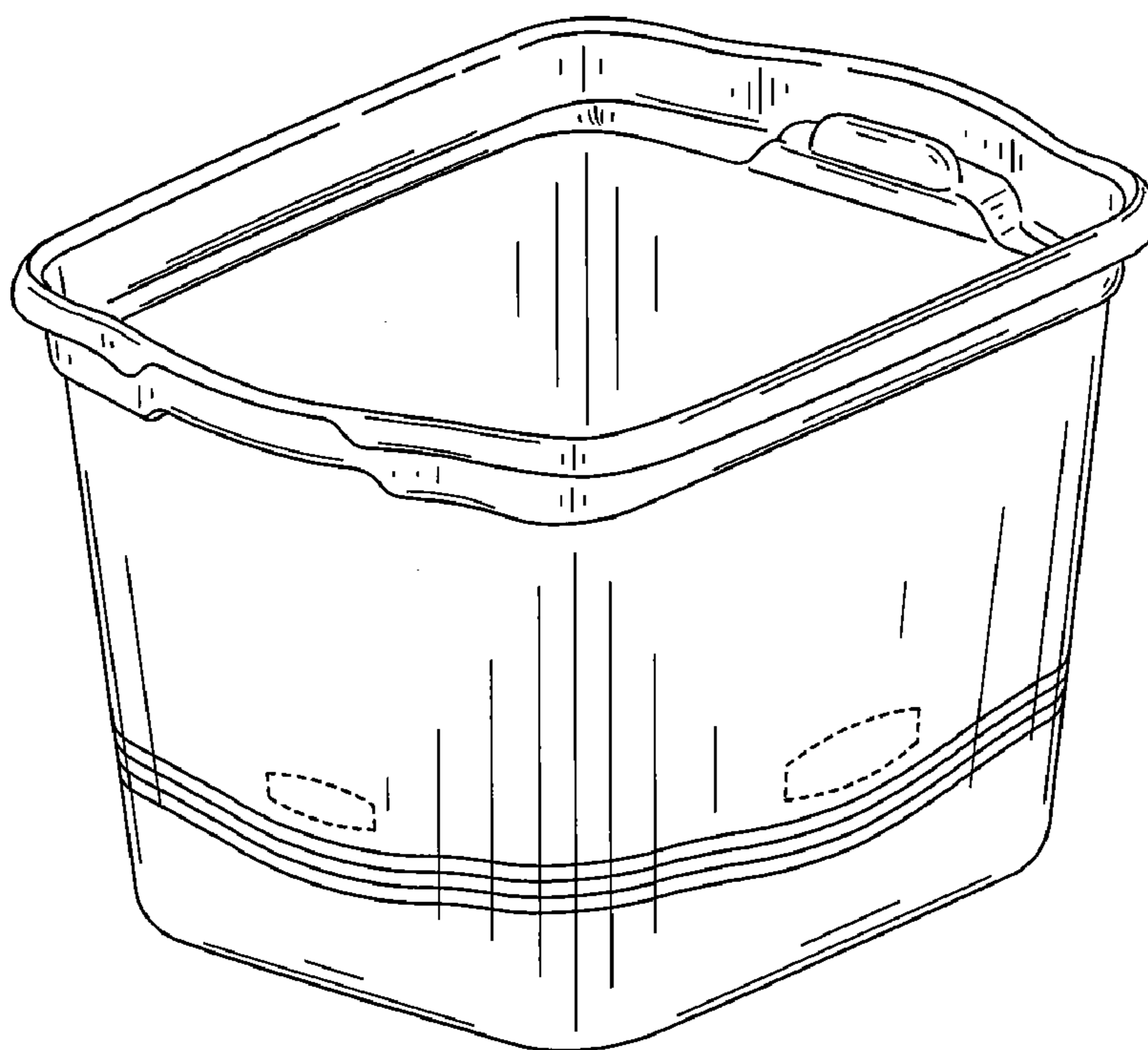


FIG. 6

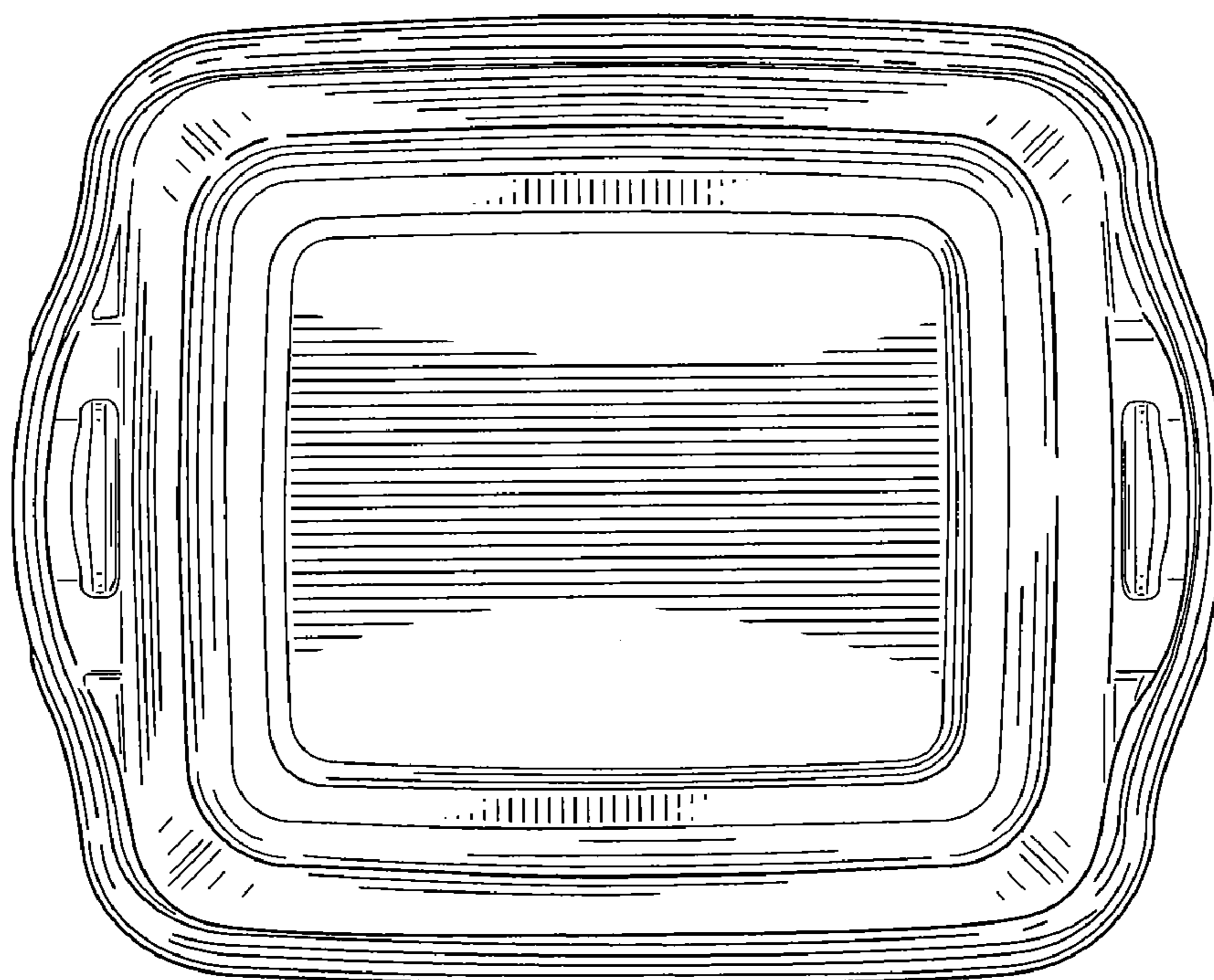


FIG. 7

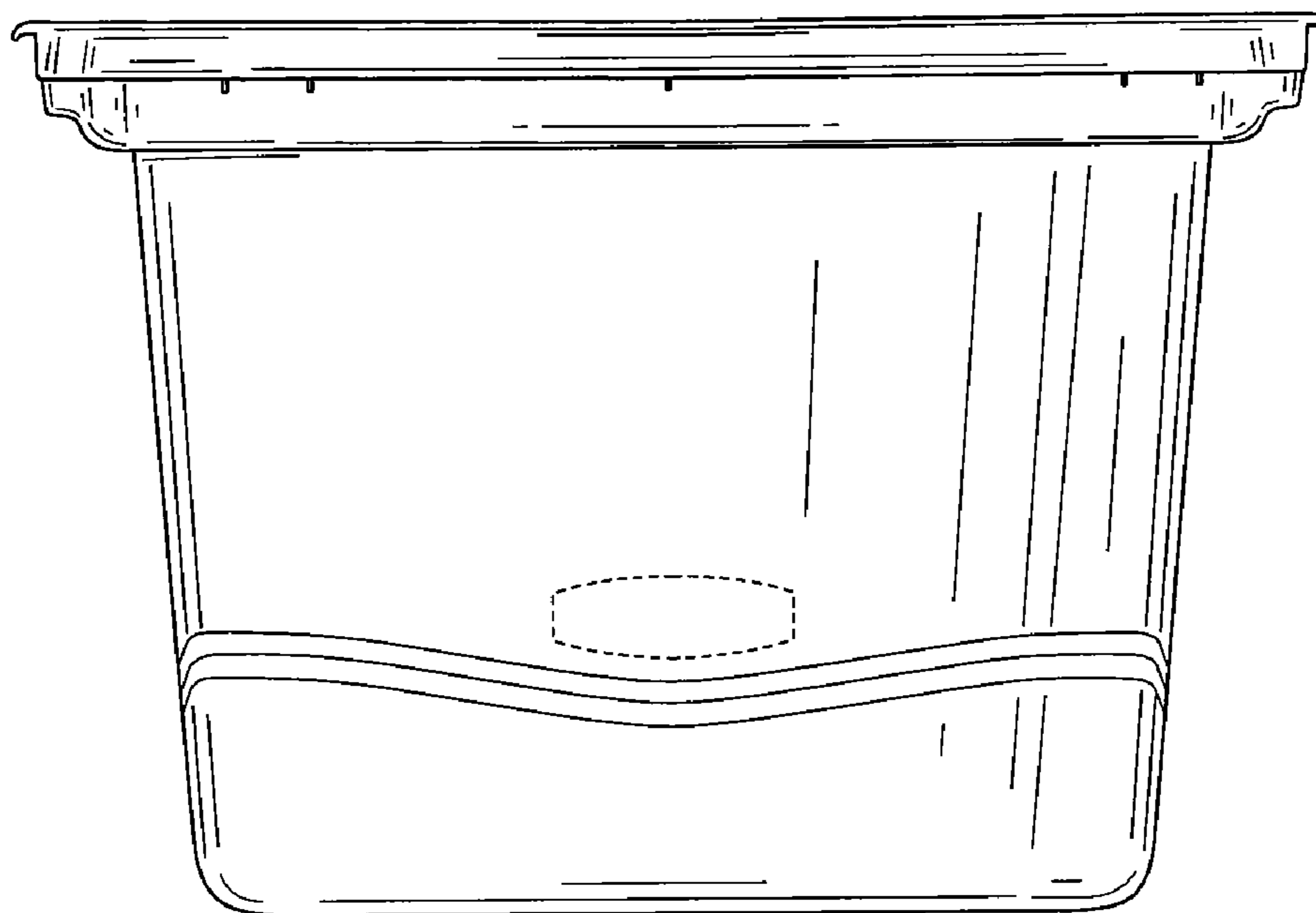


FIG. 8

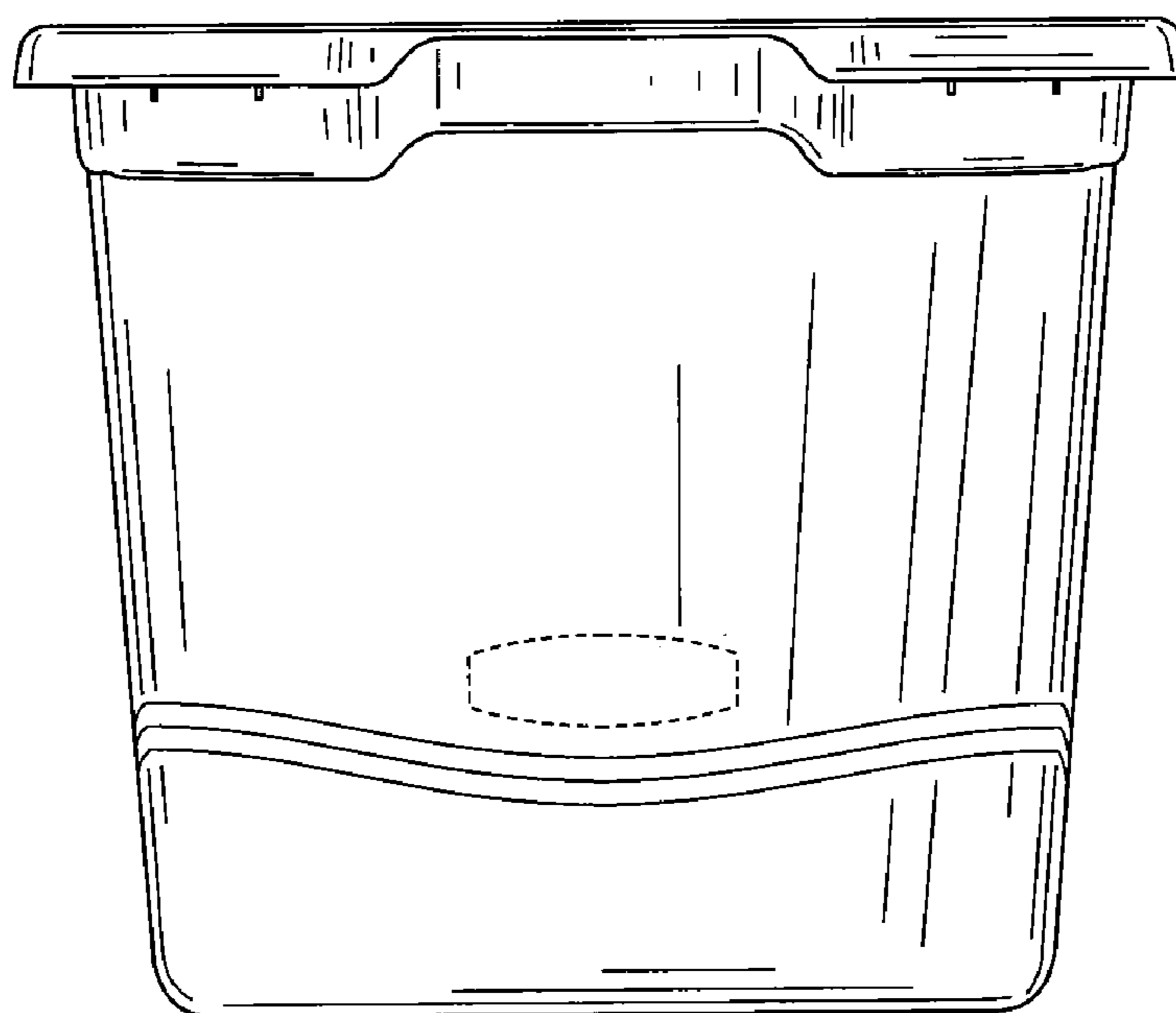


FIG. 9