



US00D572893S

(12) **United States Design Patent**
Le

(10) **Patent No.:** **US D572,893 S**
(45) **Date of Patent:** **** Jul. 15, 2008**

(54) **PORTION OF A FOOTWEAR UPPER**

(75) Inventor: **Tuan Le**, Portland, OR (US)

(73) Assignee: **Deckers Outdoor Corporation**, Goleta, CA (US)

(**) Term: **14 Years**

(21) Appl. No.: **29/291,724**

(22) Filed: **Sep. 12, 2007**

(51) **LOC (8) Cl.** **02-99**

(52) **U.S. Cl.** **D2/970**

(58) **Field of Classification Search** D2/904,
D2/909, 910, 911, 946, 969, 970, 972; 36/3 A,
36/83, 113, 117, 122

See application file for complete search history.

(56) **References Cited**

U.S. PATENT DOCUMENTS

D21,954 S	*	11/1892	Richardson	D2/910
D159,577 S	*	8/1950	Barron	D2/900
D159,761 S	*	8/1950	Stromberg	D2/910
D232,876 S	*	9/1974	Cupples et al.	D2/912
D319,332 S	*	8/1991	Itzkowitz	D2/910
D335,946 S	*	6/1993	Preston	D2/901
D481,863 S	*	11/2003	Belley et al.	D2/970

OTHER PUBLICATIONS

Ugg Australia 1998 Catalog, New Ultra Tall (style 5240) and Sundance (style 5605).

Ugg Australia Fall/Winter 2004, Ultra Tall (style 5245) and Ultimate Tall (style 5250).

* cited by examiner

Primary Examiner—Stella M. Reid

Assistant Examiner—Rashida C McCoy

(74) *Attorney, Agent, or Firm*—Greer, Burns & Crain, Ltd.

(57) **CLAIM**

The ornamental design for a portion of a footwear upper, as shown and described.

DESCRIPTION

FIG. 1 is a top perspective view of a portion of a footwear upper showing my new design;

FIG. 2 is a side elevational view thereof;

FIG. 3 is an opposite side elevational view thereof;

FIG. 4 is a front elevational view thereof;

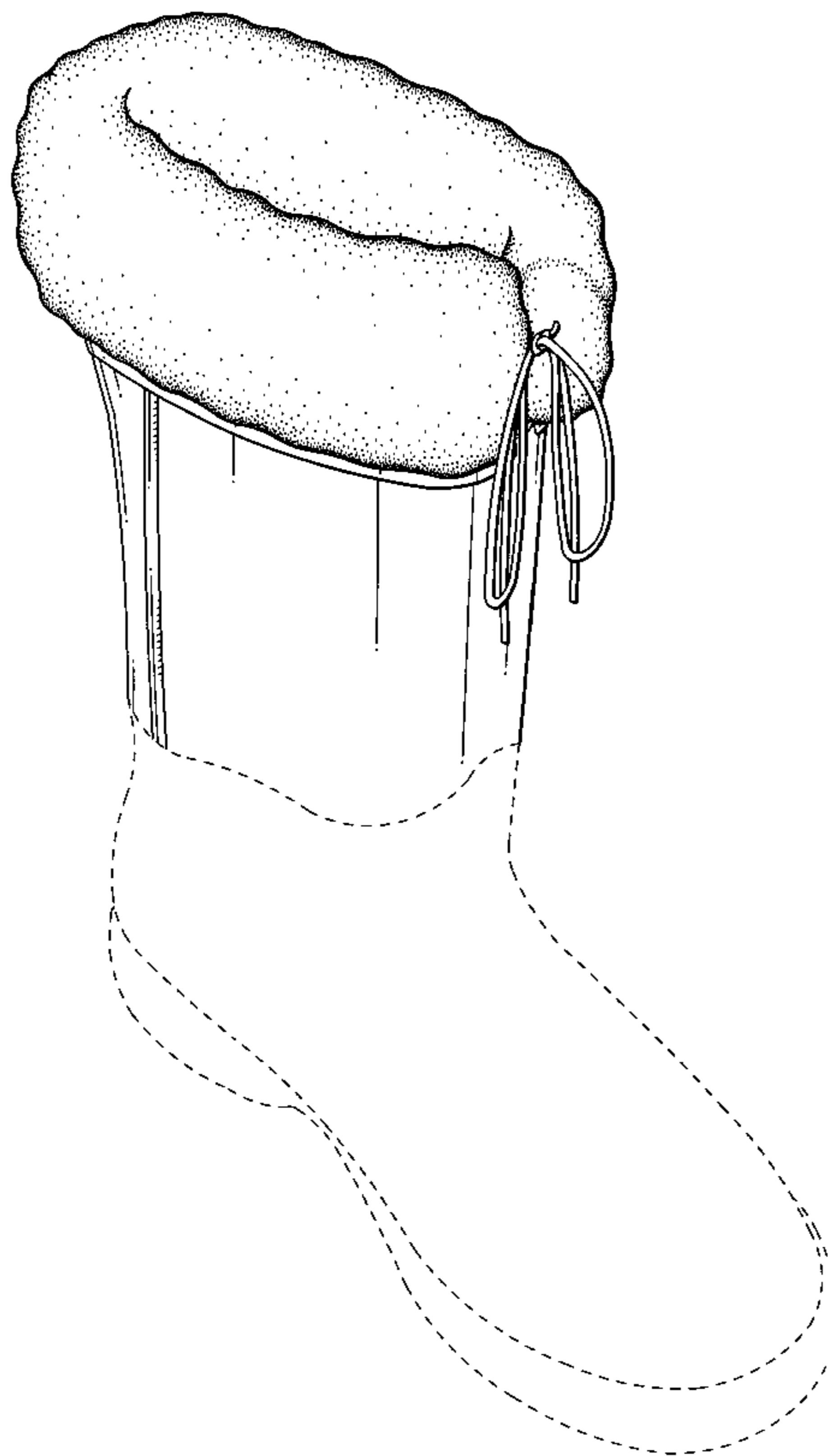
FIG. 5 is a rear elevational view thereof;

FIG. 6 is a top plan view thereof; and,

FIG. 7 is a bottom plan view thereof.

The broken lines in FIGS. 1–7 represent portions of the footwear that form no part of the claimed design.

1 Claim, 5 Drawing Sheets



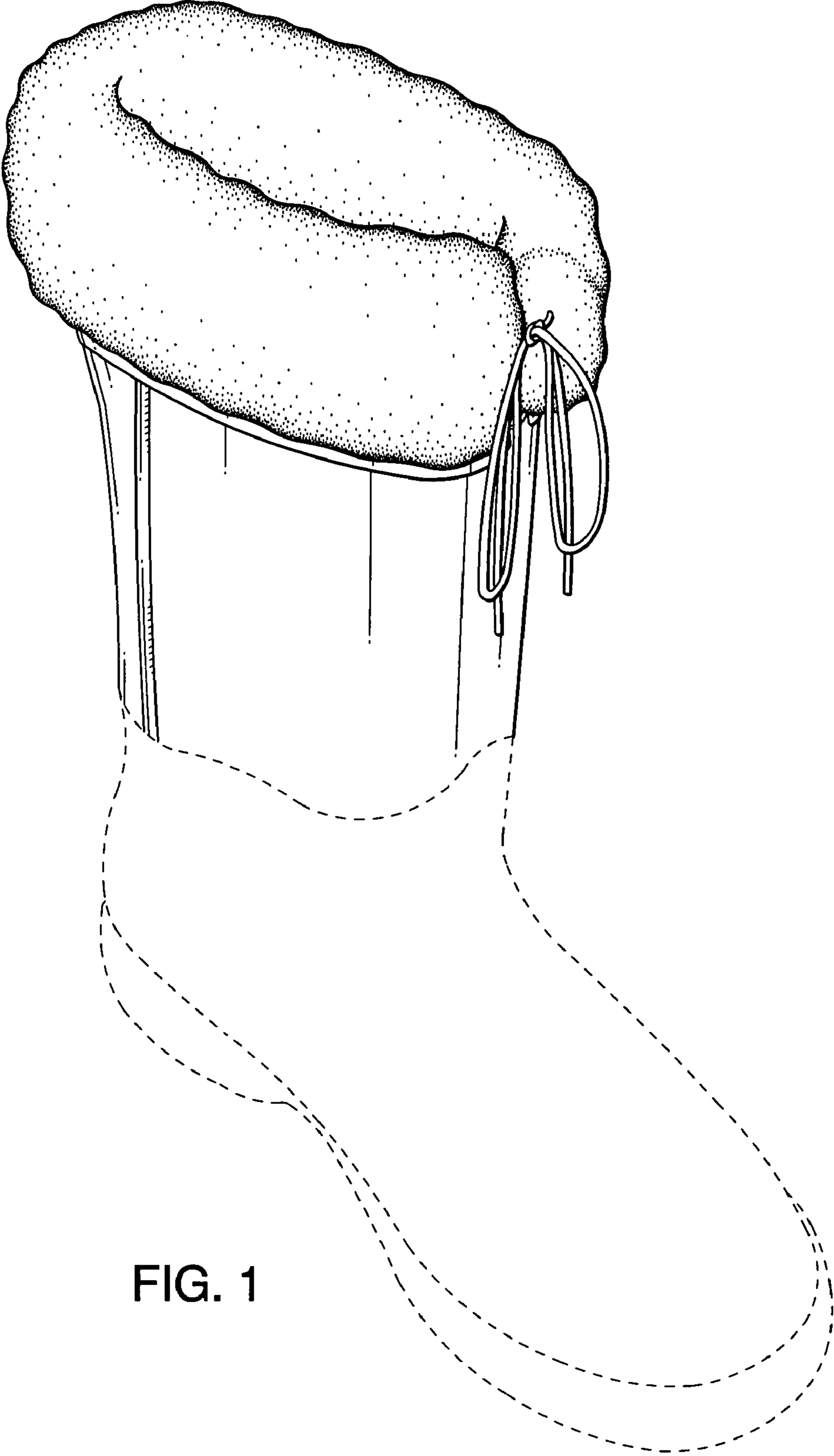


FIG. 1

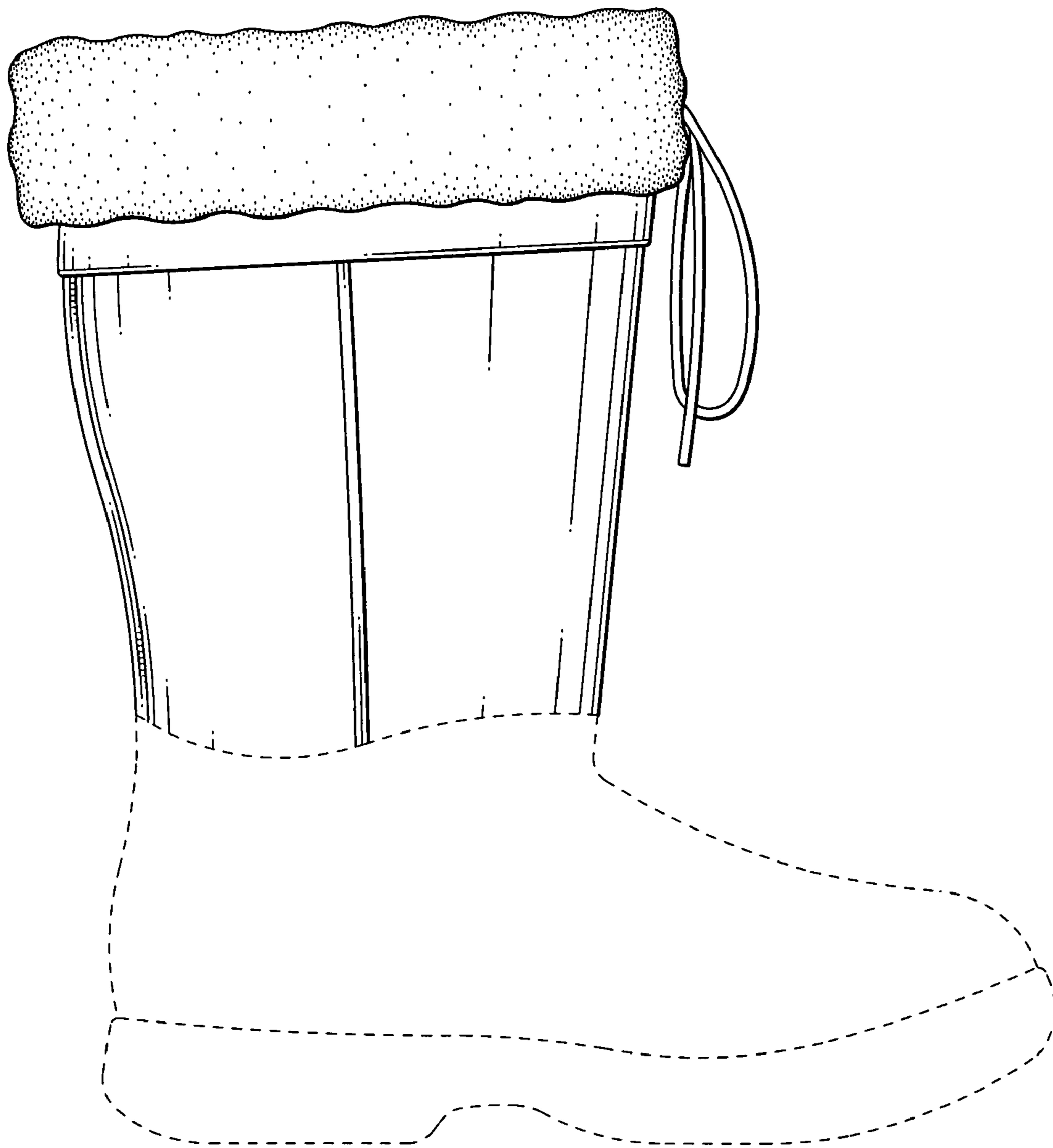


FIG. 2

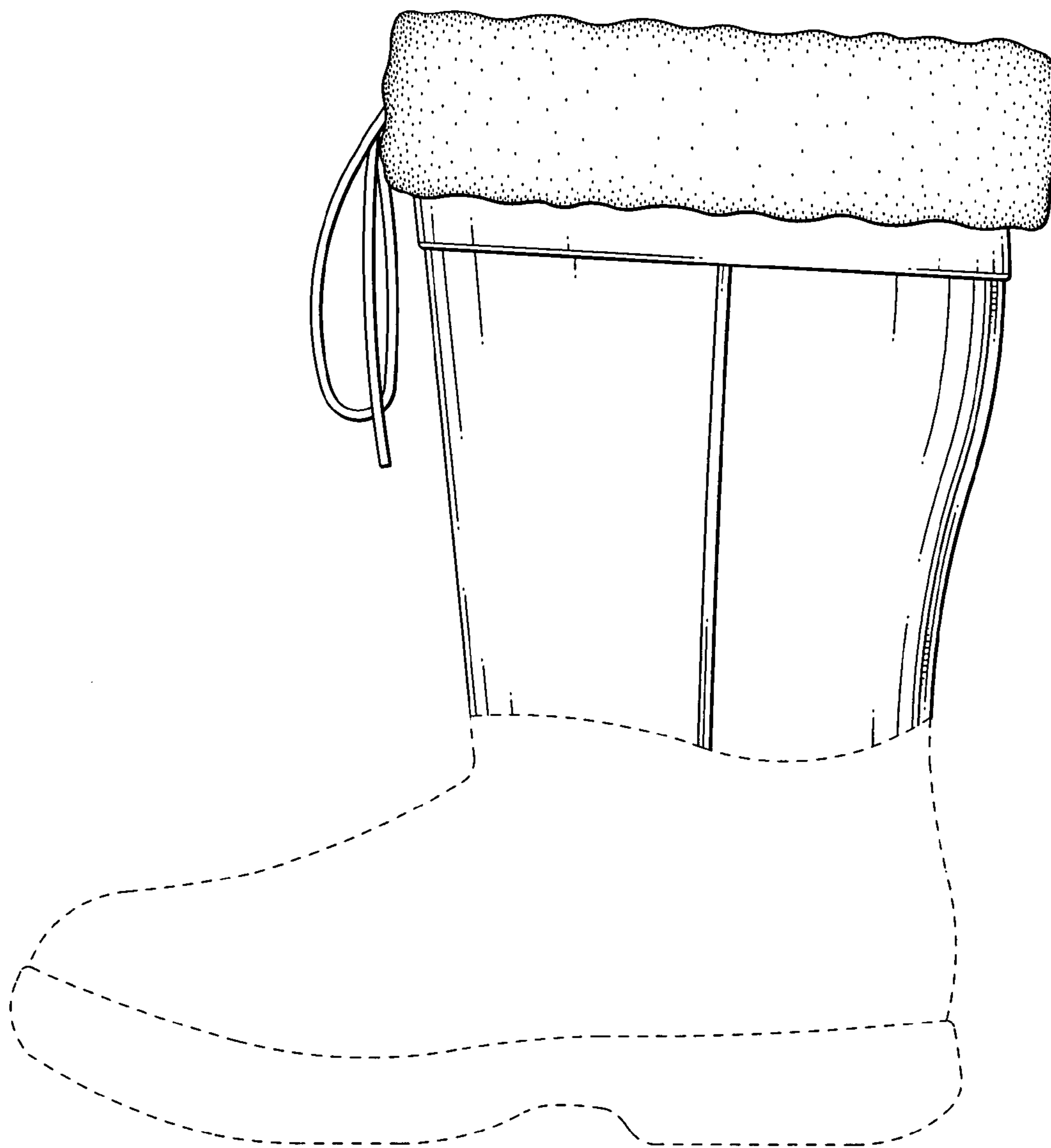


FIG. 3

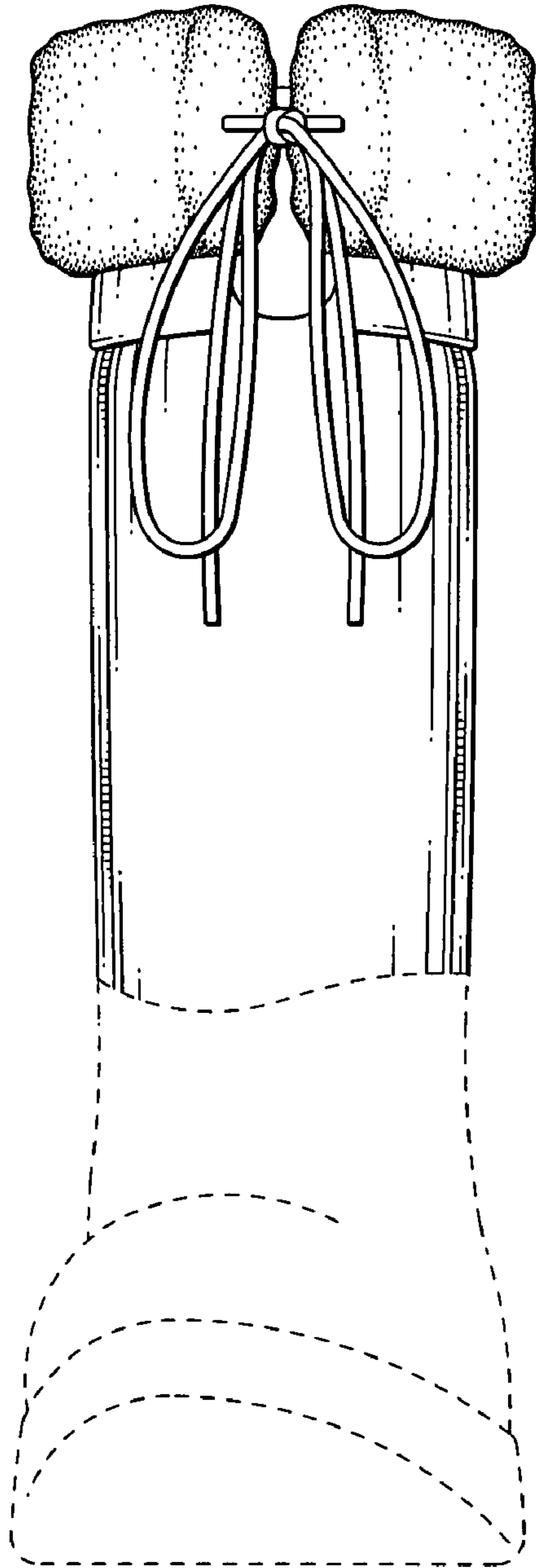


FIG. 4

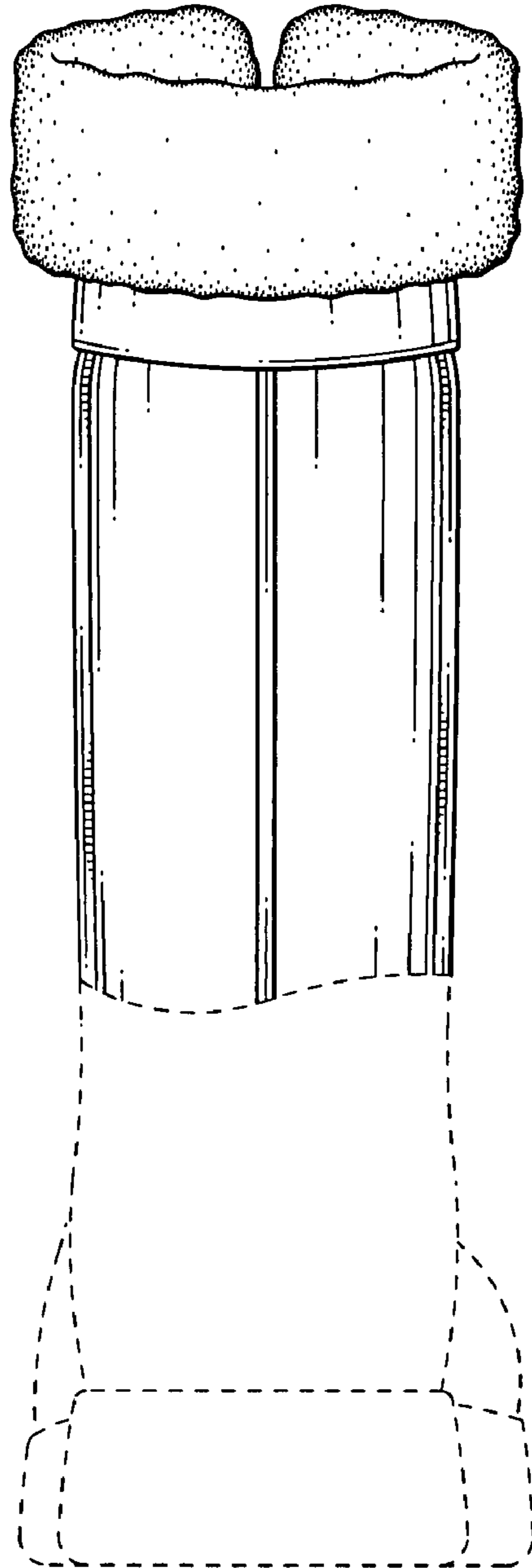


FIG. 5

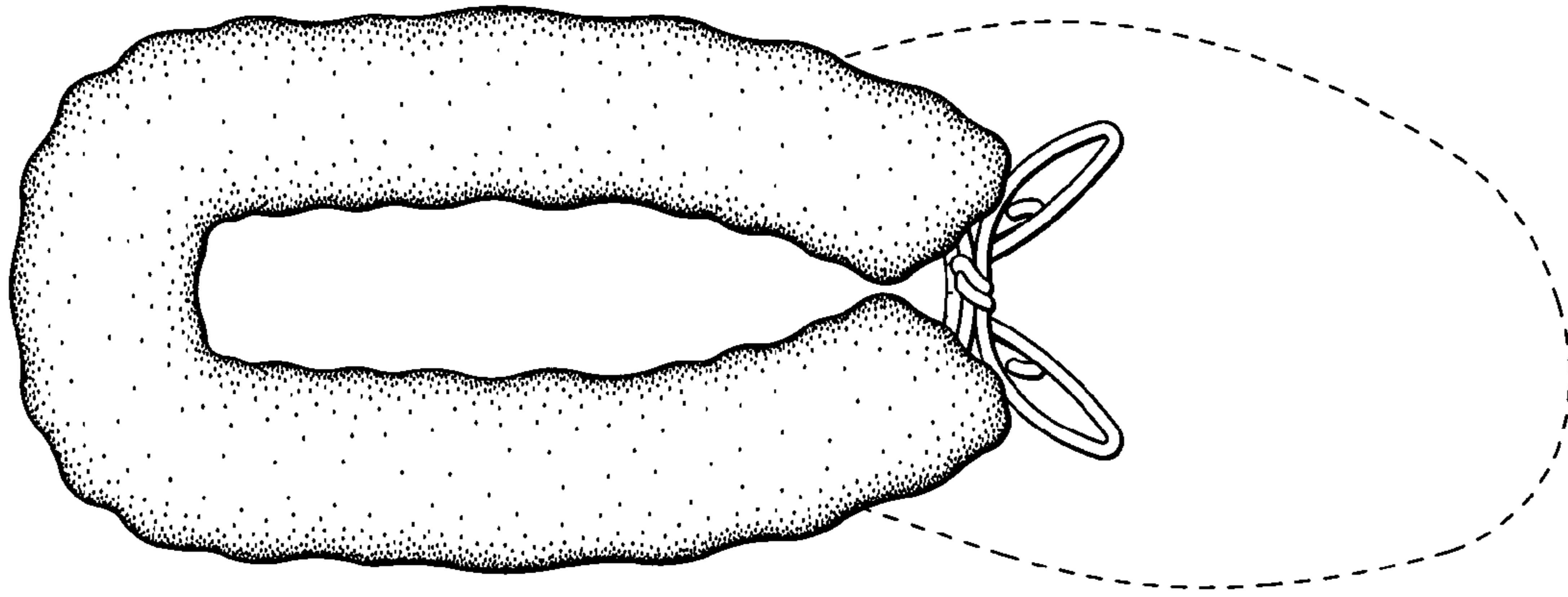


FIG. 6

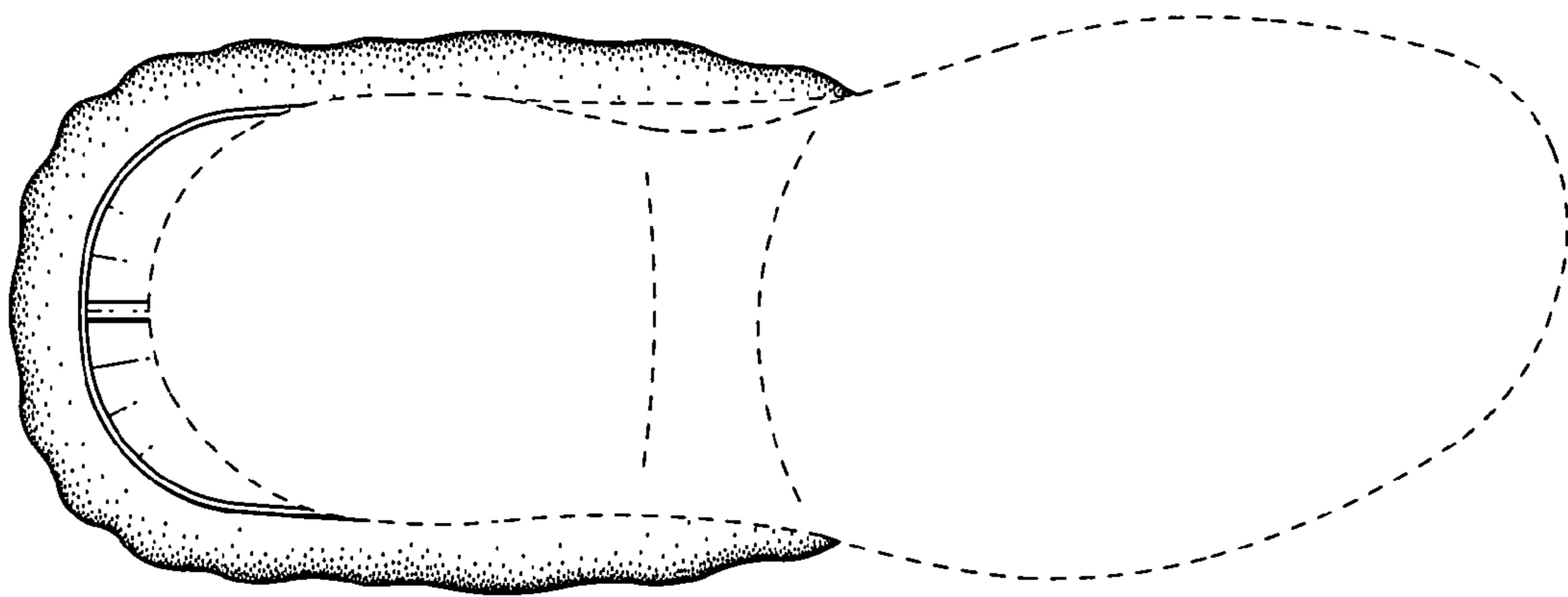


FIG. 7