



US00D572875S

(12) **United States Design Patent**
Ito et al.

(10) **Patent No.:** **US D572,875 S**
(45) **Date of Patent:** **** Jul. 8, 2008**

(54) **BELT CONVEYOR**

(75) Inventors: **Takafumi Ito**, Tokyo (JP); **Masahiro Egi**, Tokyo (JP); **Robert Ogburn**, Stafford, TX (US)

(73) Assignee: **Satake Corporation**, Tokyo (JP)

(**) Term: **14 Years**

(21) Appl. No.: **29/273,928**

(22) Filed: **Mar. 16, 2007**

(51) **LOC (8) Cl.** **12-05**

(52) **U.S. Cl.** **D34/29**

(58) **Field of Classification Search** D34/29,
D34/35; 198/624, 643; 193/35 R, 37; 209/314,
209/399, 405, 332

See application file for complete search history.

(56) **References Cited**

U.S. PATENT DOCUMENTS

D139,042 S * 10/1944 Pabst D34/29
D203,607 S * 2/1966 Pfister D21/533
3,454,162 A * 7/1969 Cover 209/269
5,242,583 A * 9/1993 Thomas 210/161

D353,701 S * 12/1994 Beavers et al. D34/32
D418,656 S * 1/2000 Andersson D34/29
D423,748 S * 4/2000 Neuwirth et al. D34/29
2003/0019714 A1 * 1/2003 Shaw et al. 193/37

* cited by examiner

Primary Examiner—Cynthia E Ramirez

(74) *Attorney, Agent, or Firm*—Chapman and Cutler LLP

(57) **CLAIM**

The ornamental design for a belt conveyor, as shown and described.

DESCRIPTION

FIG. 1 is a perspective view of a belt conveyor constructed in accordance with our design;

FIG. 2 is a front view thereof;

FIG. 3 is a rear view thereof;

FIG. 4 is a left side view thereof;

FIG. 5 is a right side view thereof;

FIG. 6 is a top plan view thereof; and,

FIG. 7 is a bottom plan view thereof.

1 Claim, 3 Drawing Sheets

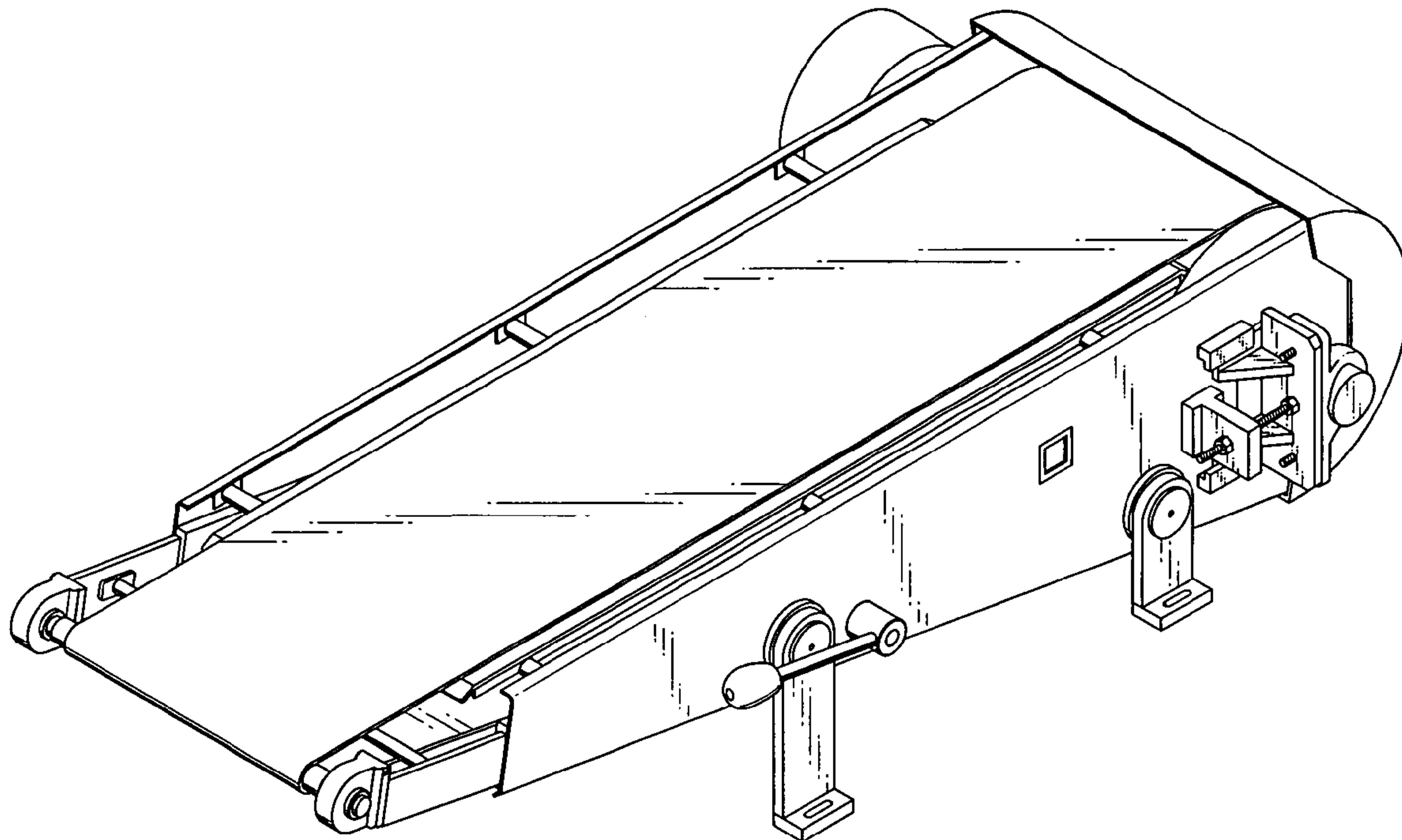


FIG.1

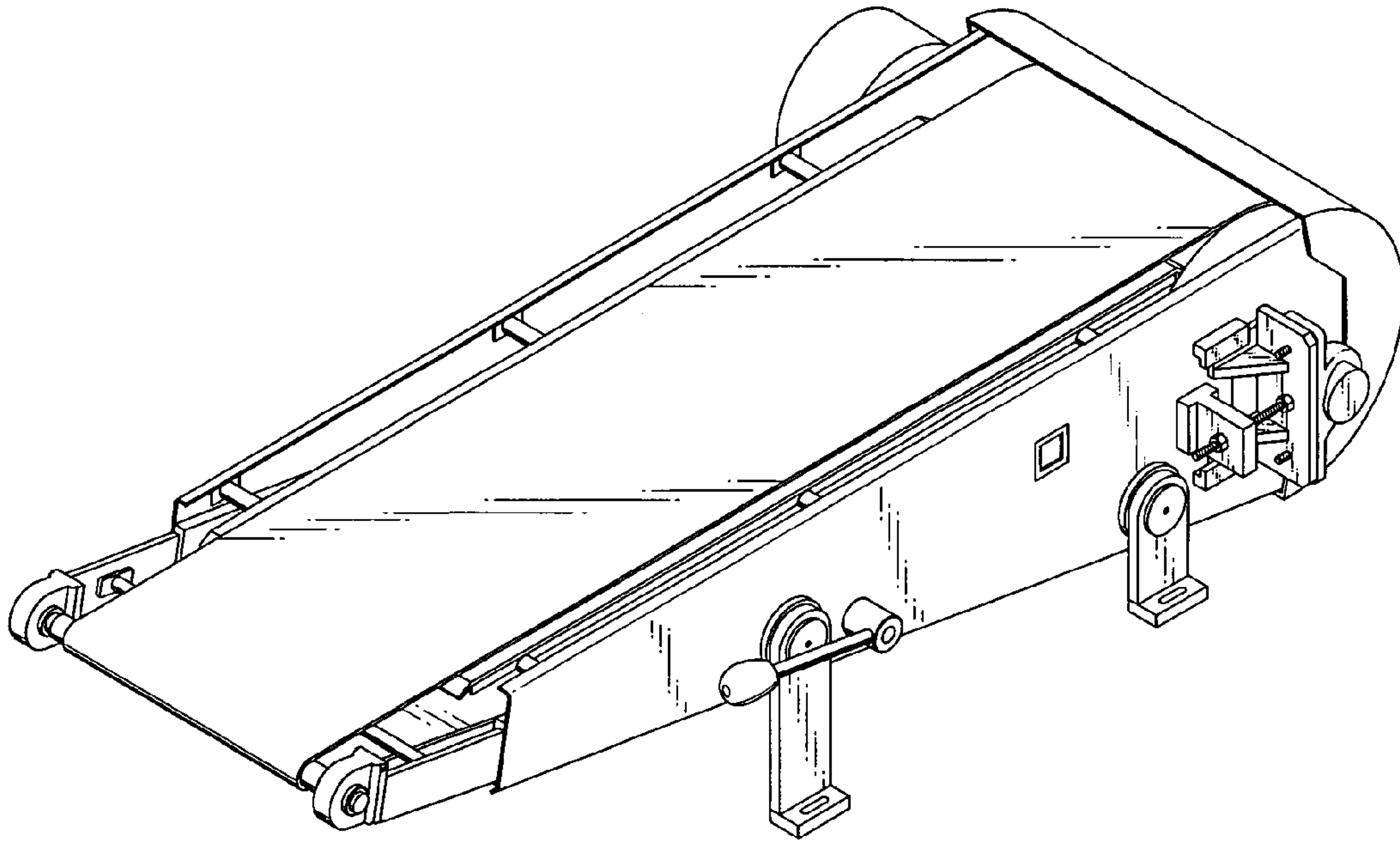


FIG.2

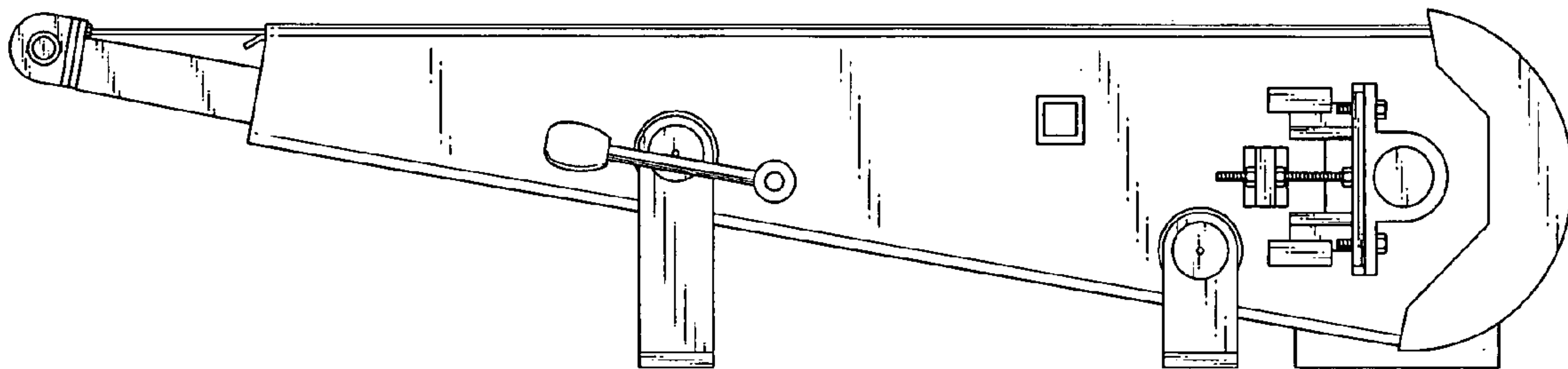


FIG.3

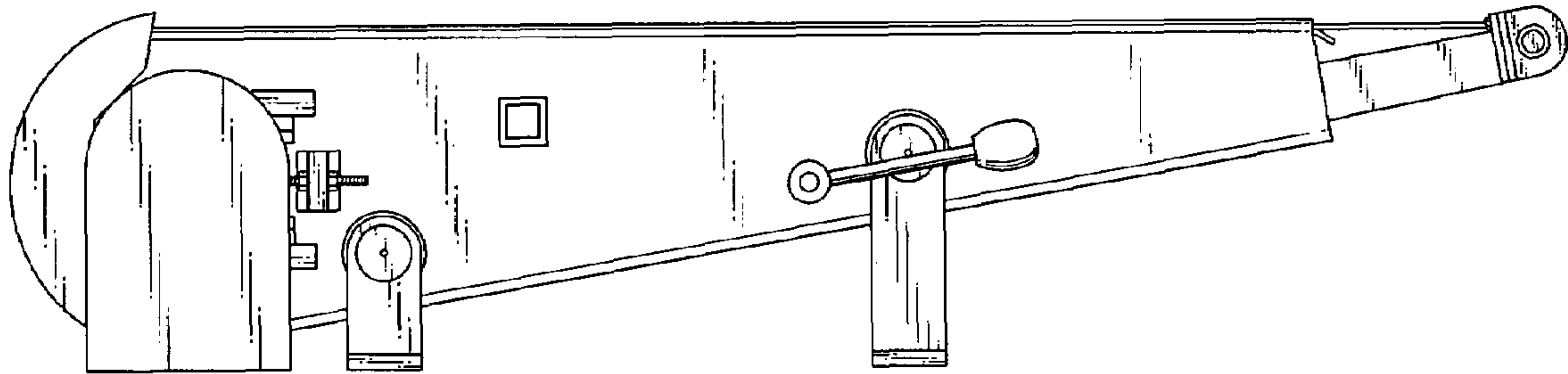


FIG.4

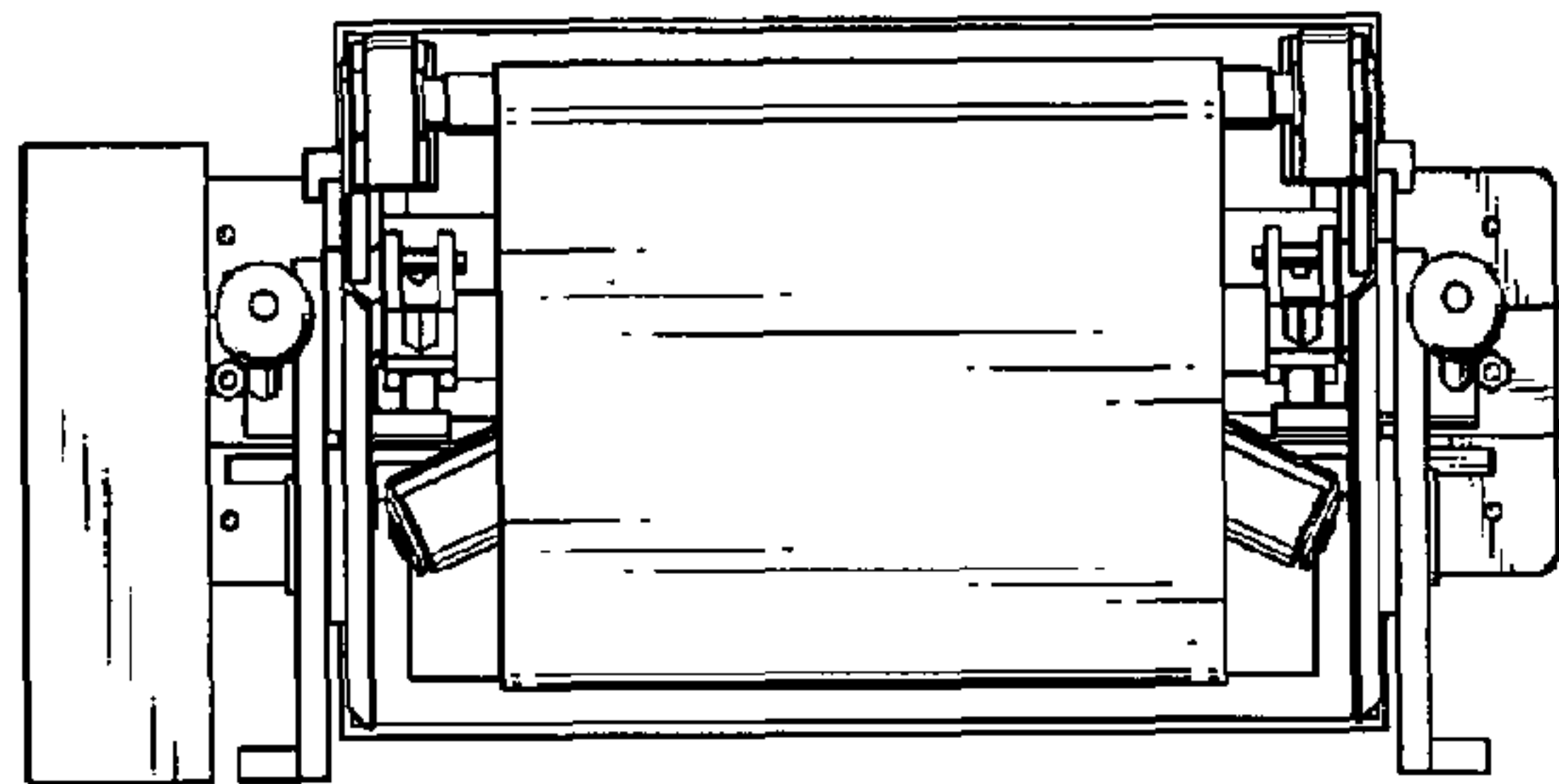


FIG.5

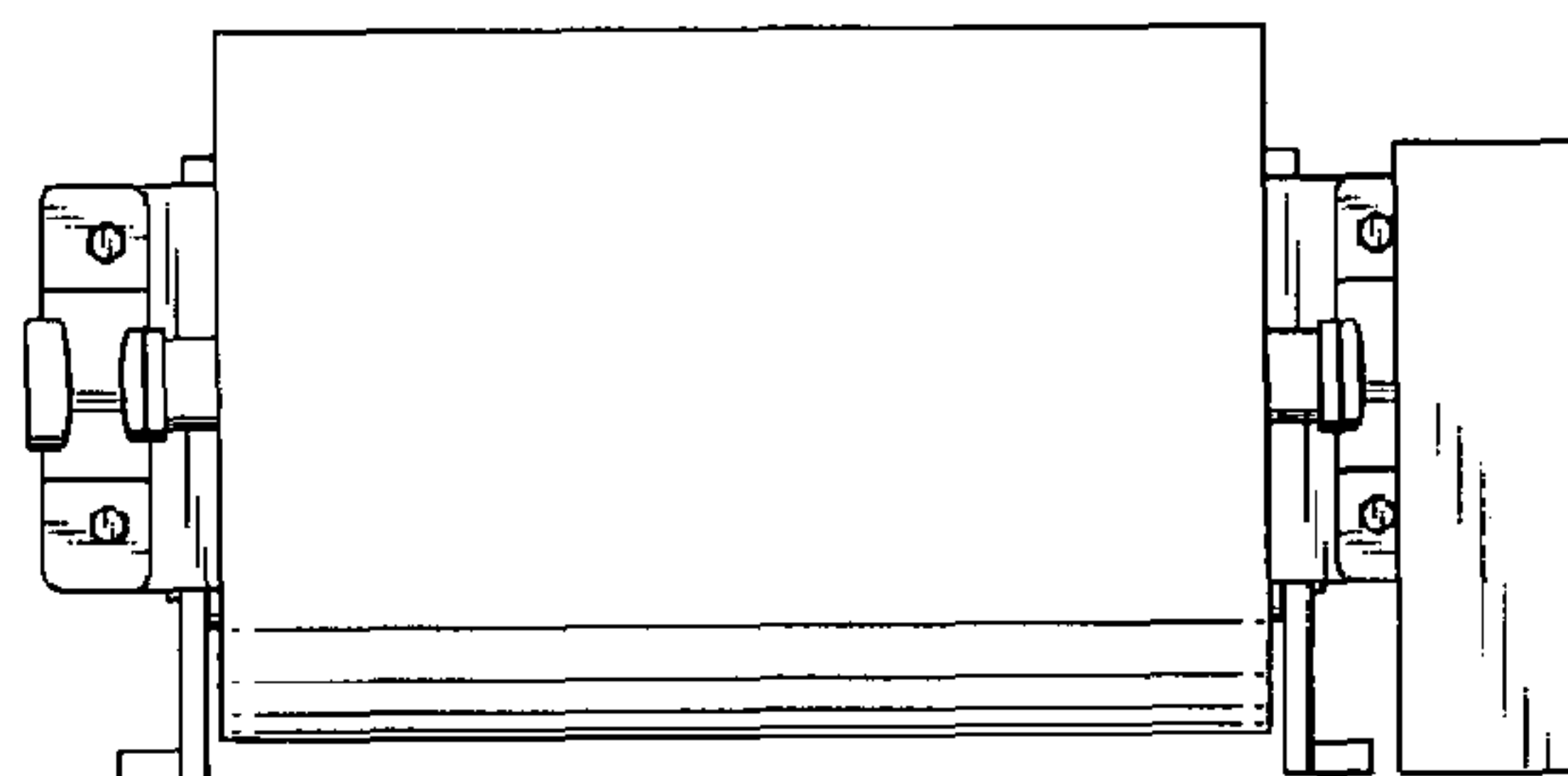


FIG.6

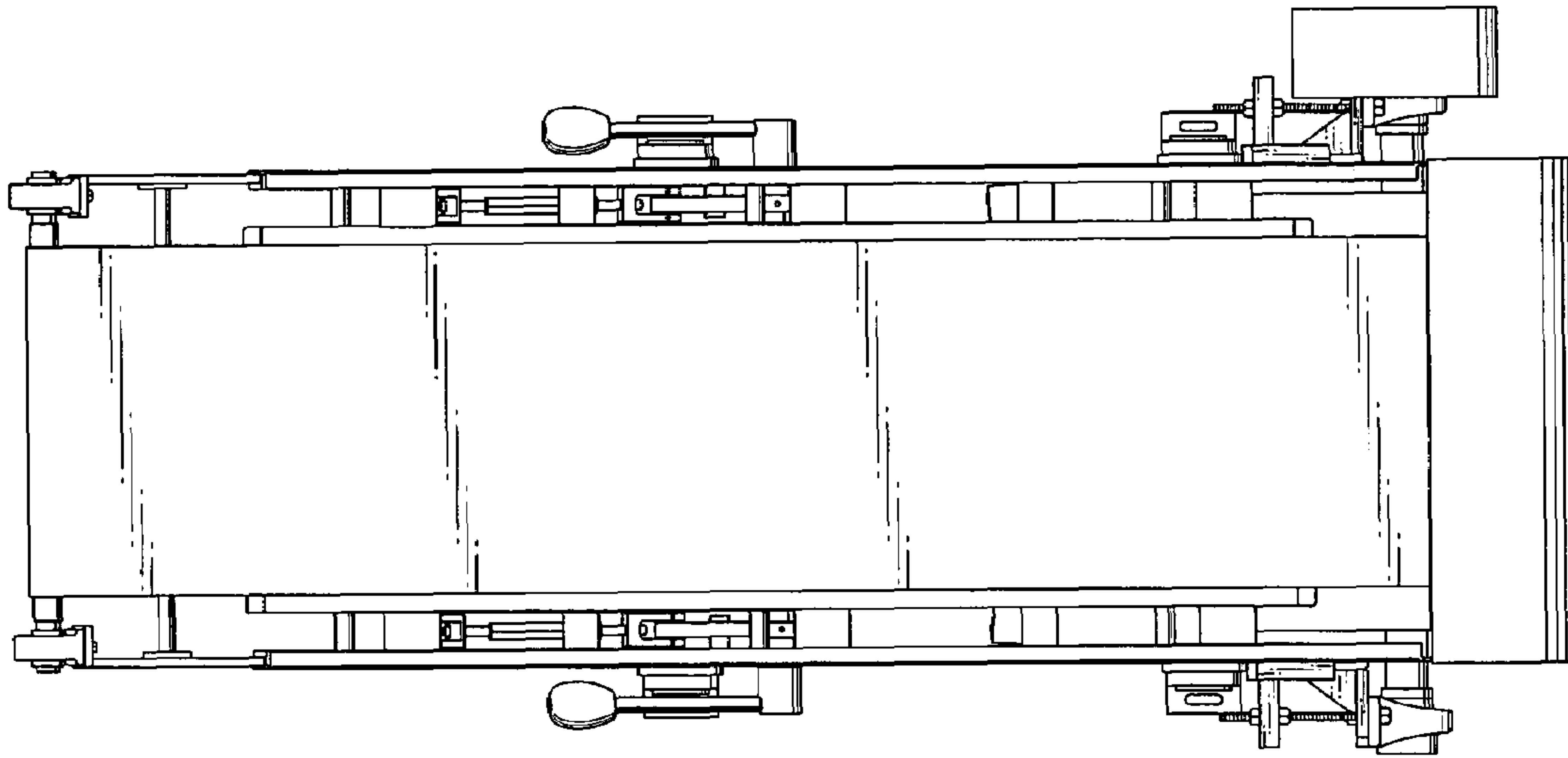


FIG.7

