



US00D572871S

(12) **United States Design Patent**
Erken

(10) **Patent No.:** **US D572,871 S**
(45) **Date of Patent:** **** Jul. 8, 2008**

(54) **MULTI-PURPOSE CLEANING TOOL**

(76) Inventor: **Jacob Wilhemus Erken**, P.O. Box 455,
Haberfield, NSW 2045 (AU)

(**) Term: **14 Years**

(21) Appl. No.: **29/281,103**

(22) Filed: **Jun. 14, 2007**

Related U.S. Application Data

(62) Division of application No. 29/248,632, filed on Aug. 24, 2006, now Pat. No. Des. 545,517.

(51) **LOC (8) Cl.** **04-01**

(52) **U.S. Cl.** **D32/50; D32/40**

(58) **Field of Classification Search** D32/50-52,
D32/45; 15/116.1-116.2, 119.1-119.2, 147.1-2,
15/150, 228, 144.2; 401/207, 628
See application file for complete search history.

(56) **References Cited**

U.S. PATENT DOCUMENTS

D249,821 S	10/1978	Cooke et al.	
D287,173 S	12/1986	Libman	
D354,169 S	1/1995	Roberts	
D391,715 S *	3/1998	Irwin et al. D32/50
D401,703 S *	11/1998	Beechuk et al. D32/45

5,876,141 A *	3/1999	Hsu 401/207
D409,343 S *	5/1999	Kingry et al. D32/50
6,061,864 A	5/2000	Ensson	
6,098,239 A *	8/2000	Vosbikian 15/228
D458,722 S	6/2002	Romero et al.	
D481,184 S	10/2003	Clare et al.	

* cited by examiner

Primary Examiner—Pamela J Burgess

(74) *Attorney, Agent, or Firm*—Kathy Mojibi Kavcioglu

(57) **CLAIM**

I claim the ornamental design for the multi-purpose cleaning tool, as shown and described.

DESCRIPTION

FIG. 1 is a perspective view of a preferred embodiment of the multi-purpose cleaning tool of the present invention;

FIG. 2 is a front view thereof;

FIG. 3 is a rear view thereof;

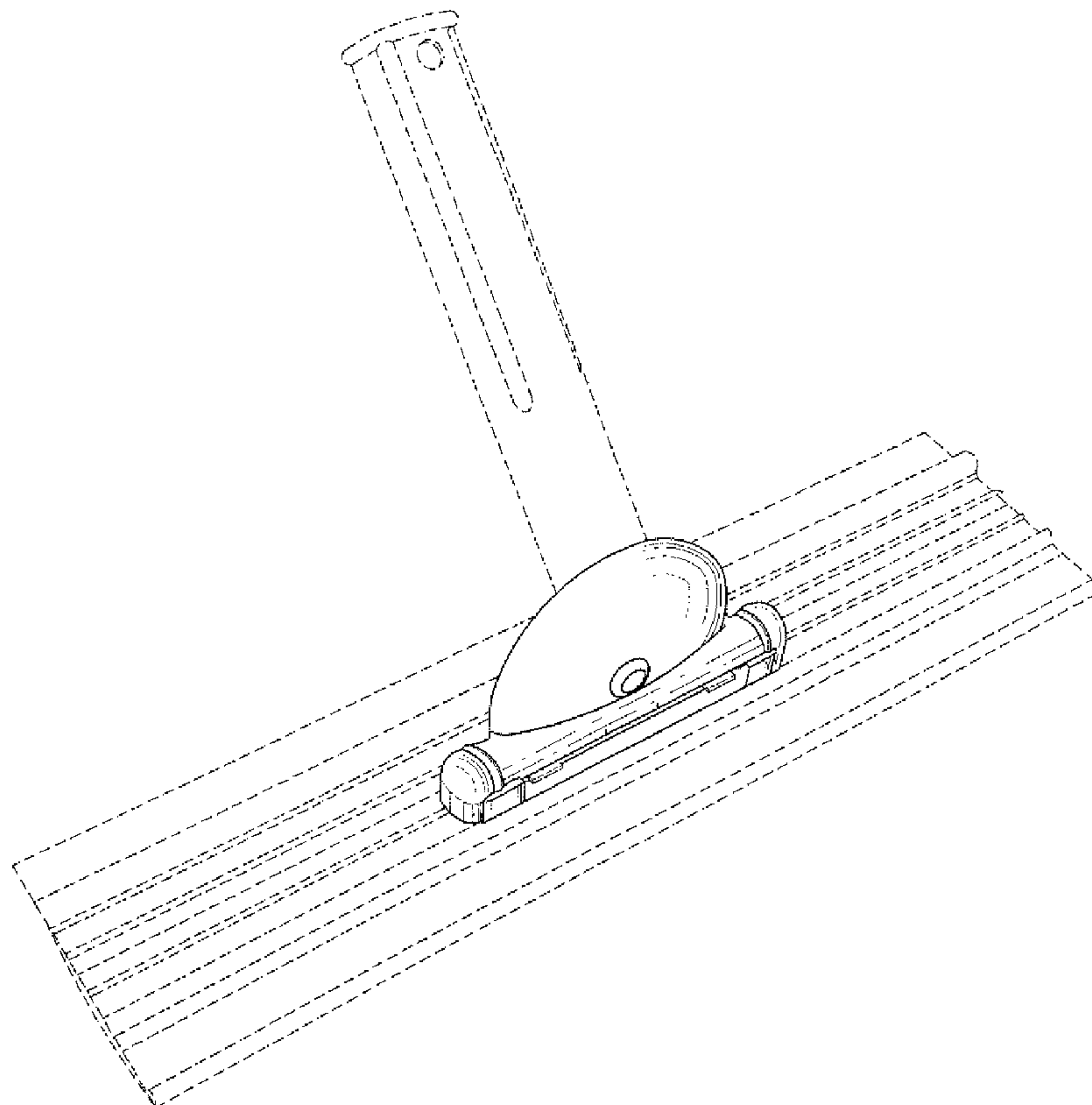
FIG. 4 is a top view thereof;

FIG. 5 is a bottom view thereof; and,

FIG. 6 is a left side elevational view thereof.

The broken lines in the figures are for illustrative purposes only and form no part of the claimed design.

1 Claim, 6 Drawing Sheets



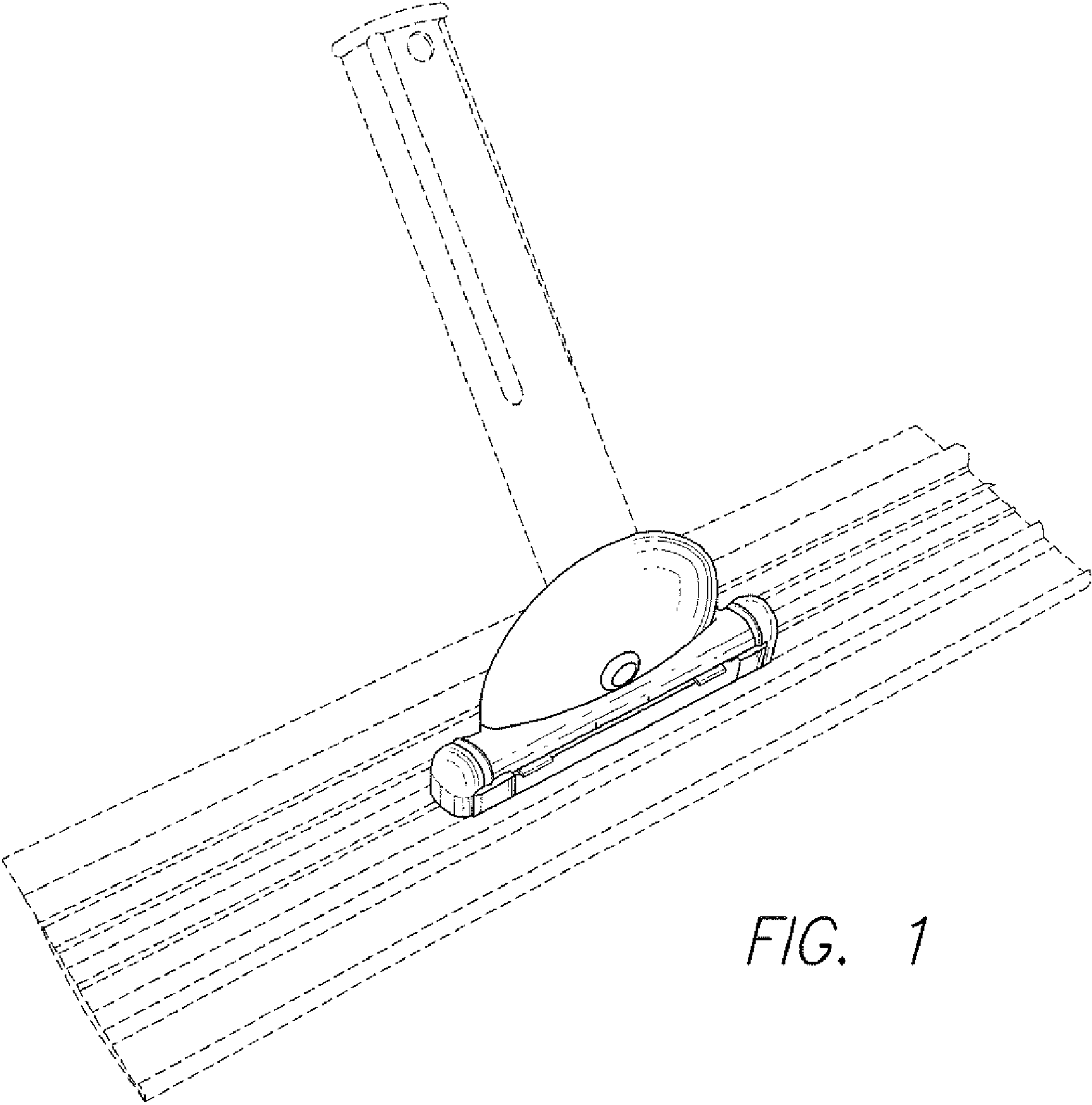


FIG. 1

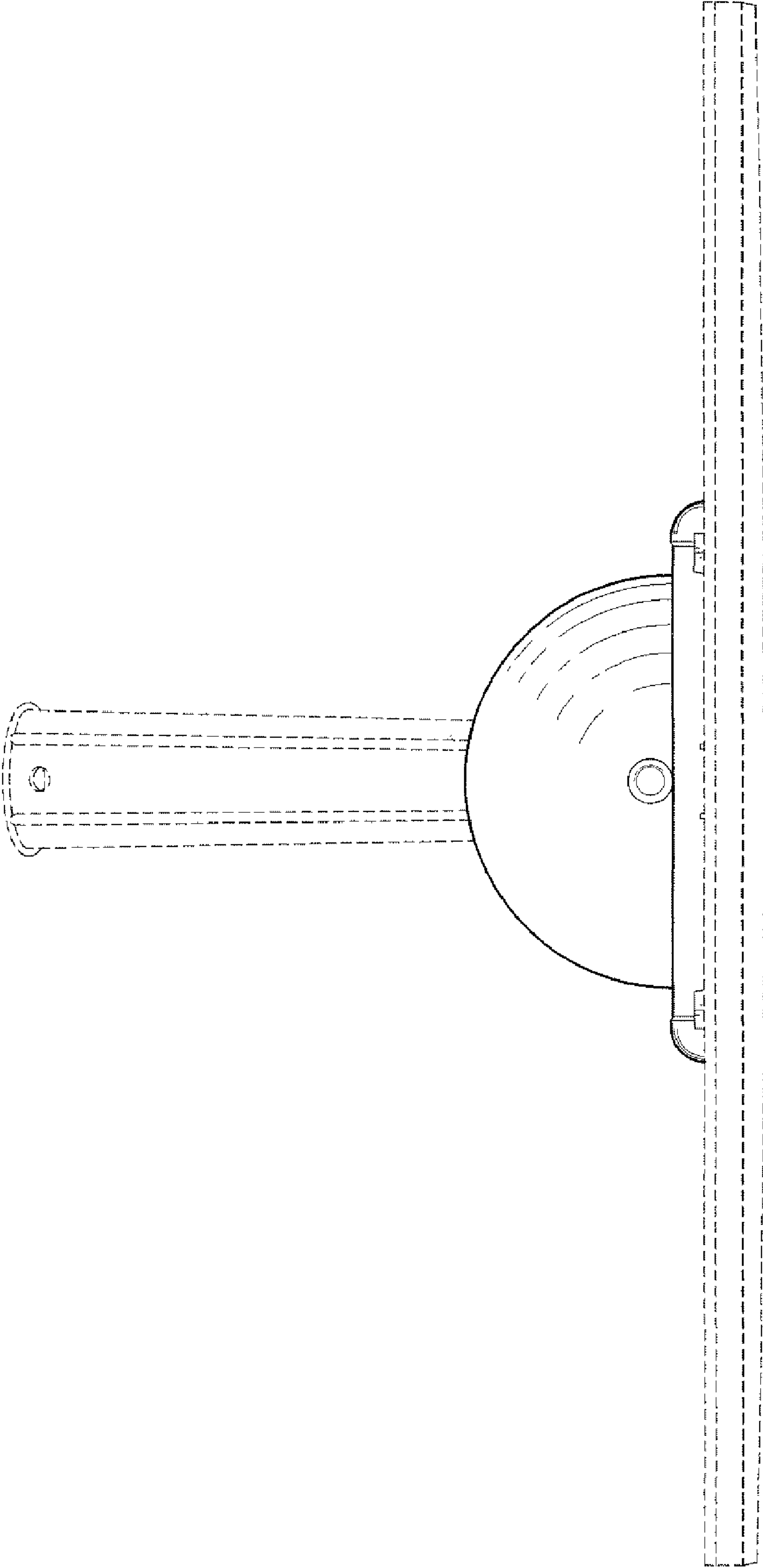


FIG. 2

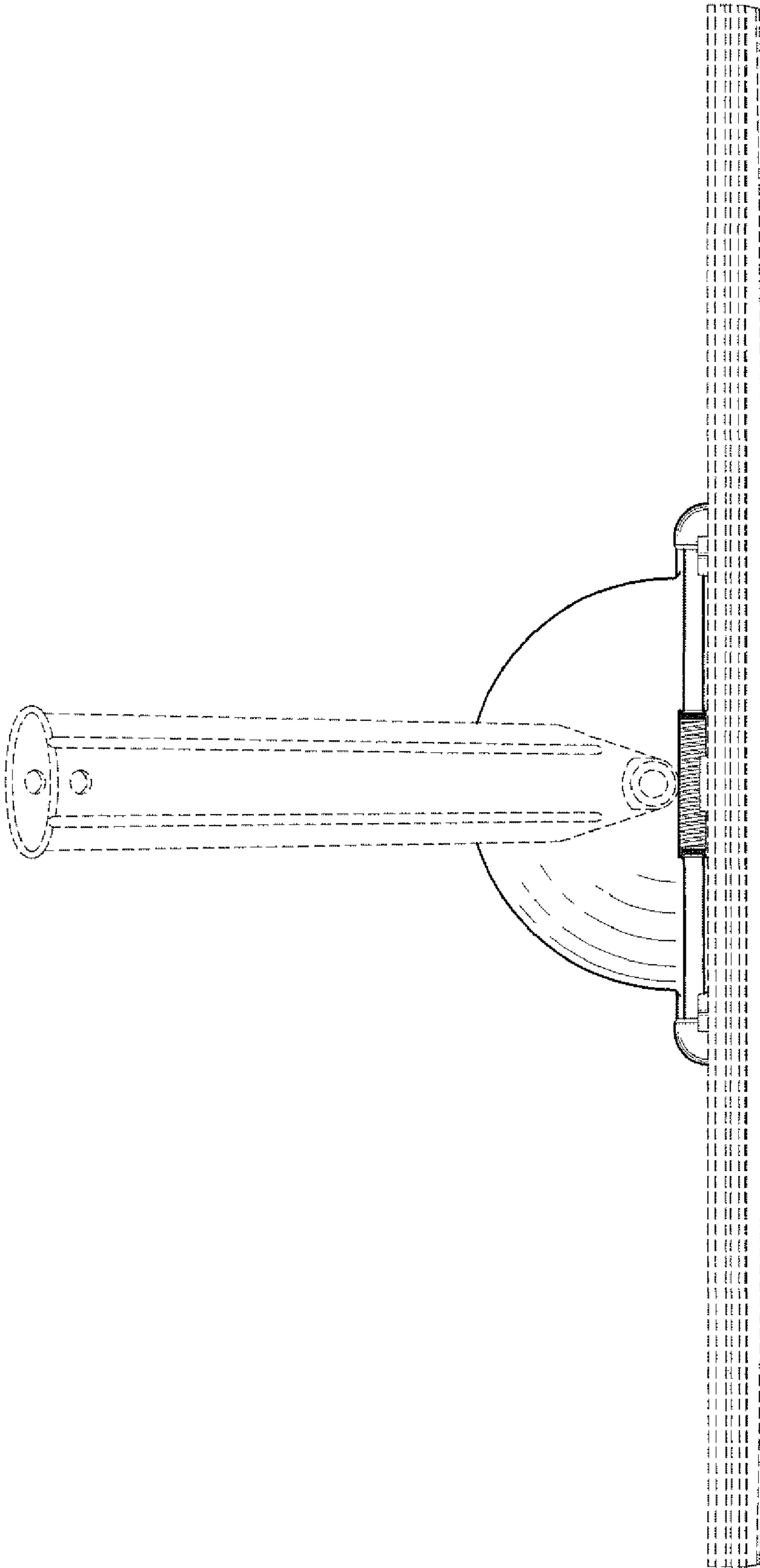


FIG. 3

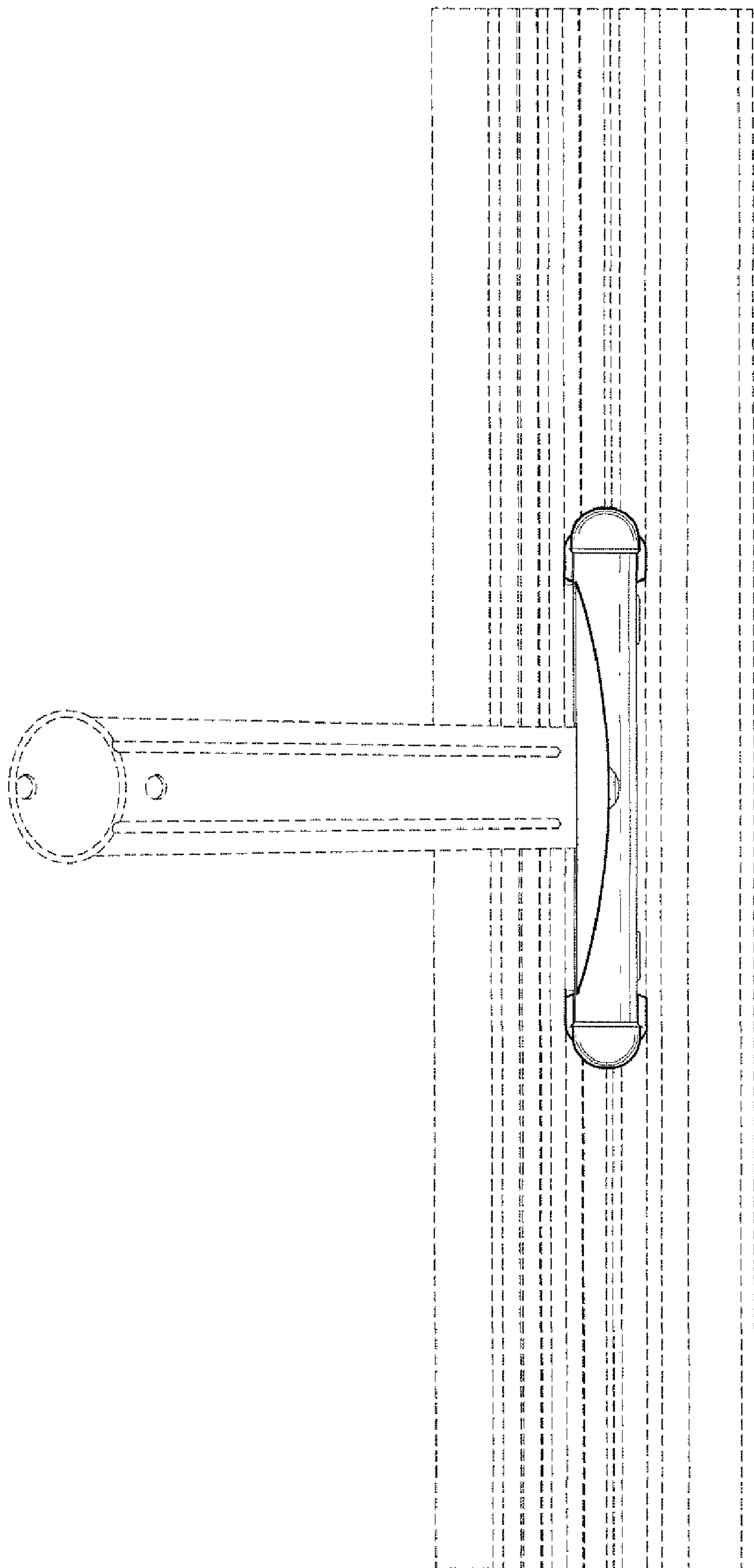
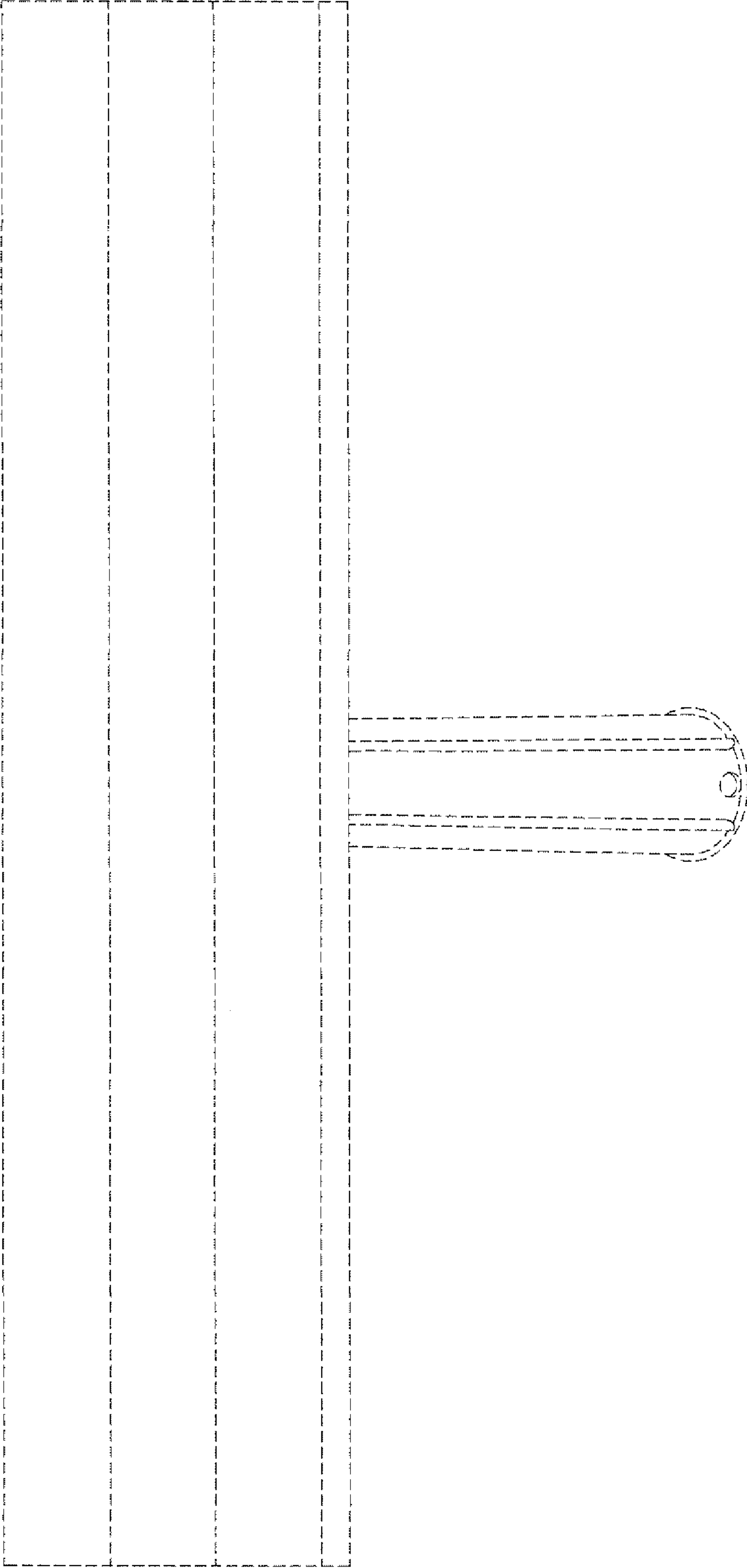


FIG. 4

FIG. 5



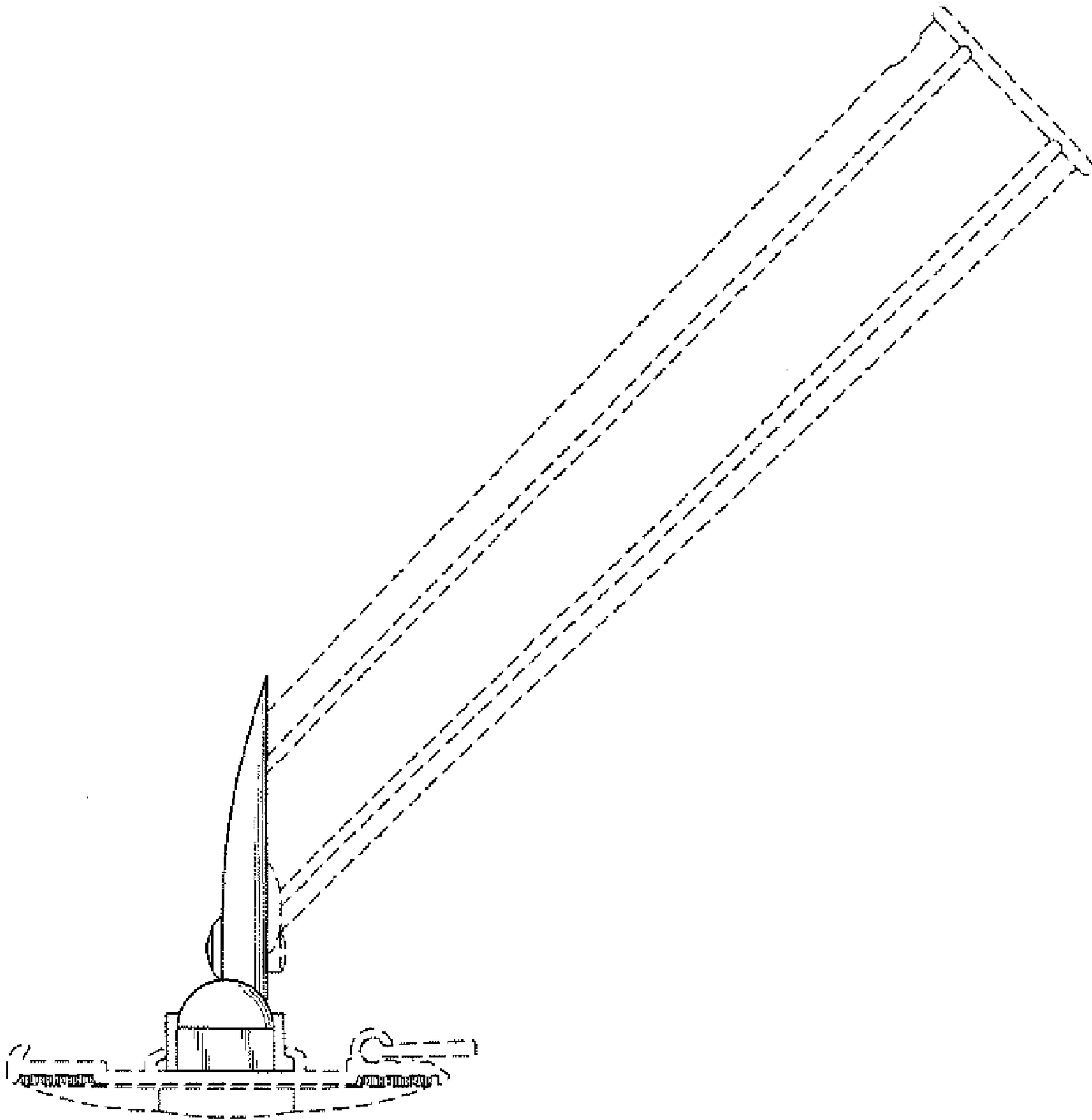


FIG. 6