



US00D572867S

(12) **United States Design Patent**
Justis

(10) **Patent No.:** **US D572,867 S**

(45) **Date of Patent:** **** Jul. 8, 2008**

(54) **HORSESHOE**

(76) Inventor: **Gwen Ann Justis**, 1145 Village Way,
Sebastopol, CA (US) 95472-4830

(**) Term: **14 Years**

(21) Appl. No.: **29/255,983**

(22) Filed: **Mar. 13, 2006**

(51) **LOC (8) Cl.** **30-01**

(52) **U.S. Cl.** **D30/147; D30/149**

(58) **Field of Classification Search** **D30/146-149;**
54/1; 168/26-28

See application file for complete search history.

(56) **References Cited**

U.S. PATENT DOCUMENTS

| | | | | |
|-----------|-----|---------|----------------|---------|
| 41,330 | A * | 1/1864 | Squarza | 222/157 |
| 53,635 | A * | 4/1866 | Lane | 111/70 |
| 172,473 | A * | 1/1876 | Olds | 168/28 |
| 606,343 | A * | 6/1898 | Horton | 168/28 |
| 687,502 | A * | 11/1901 | Markley | 168/28 |
| 863,386 | A * | 8/1907 | Hallanan | 168/28 |
| 912,813 | A * | 2/1909 | Oleary | 168/28 |
| 1,057,222 | A * | 3/1913 | Conroy | 168/28 |
| 1,402,768 | A * | 1/1922 | Henemier | 168/28 |
| 1,447,153 | A * | 2/1923 | Sala | 168/29 |
| 1,599,999 | A * | 9/1926 | Heymoss, Jr. | 168/28 |
| D479,021 | S * | 8/2003 | Kriesel et al. | D30/146 |

* cited by examiner

Primary Examiner—Melanie Tung

Assistant Examiner—Susan Moon Lee

(74) *Attorney, Agent, or Firm*—Robin Diane Goldstein

(57) **CLAIM**

The ornamental design for a horseshoe, as shown and described.

DESCRIPTION

FIG. 1 is a bottom view of a first embodiment of my new horseshoe;

FIG. 2 is a top plan view thereof;

FIG. 3. is a perspective view thereof;

FIG. 4 is a side view of the horseshoe of FIG. 1, the opposite side view being a mirror image thereof;

FIG. 5. is a bottom view of a second embodiment of my new horseshoe;

FIG. 6 is a perspective view of the second embodiment illustrated in FIG. 5; and,

FIG. 7 is a side view of the second embodiment illustrated in FIG. 5, the opposite side view being a mirror image thereof.

The top plan view of the second embodiment of my new horseshoe is identical to that depicted in FIG. 2.

My horseshoe is characterized by a generally circular or ovoid shape forming an unbroken periphery, and comprising a pair of apertures separated by a center section, the apertures passing through at least the ground-facing surface of the horseshoe.

1 Claim, 4 Drawing Sheets

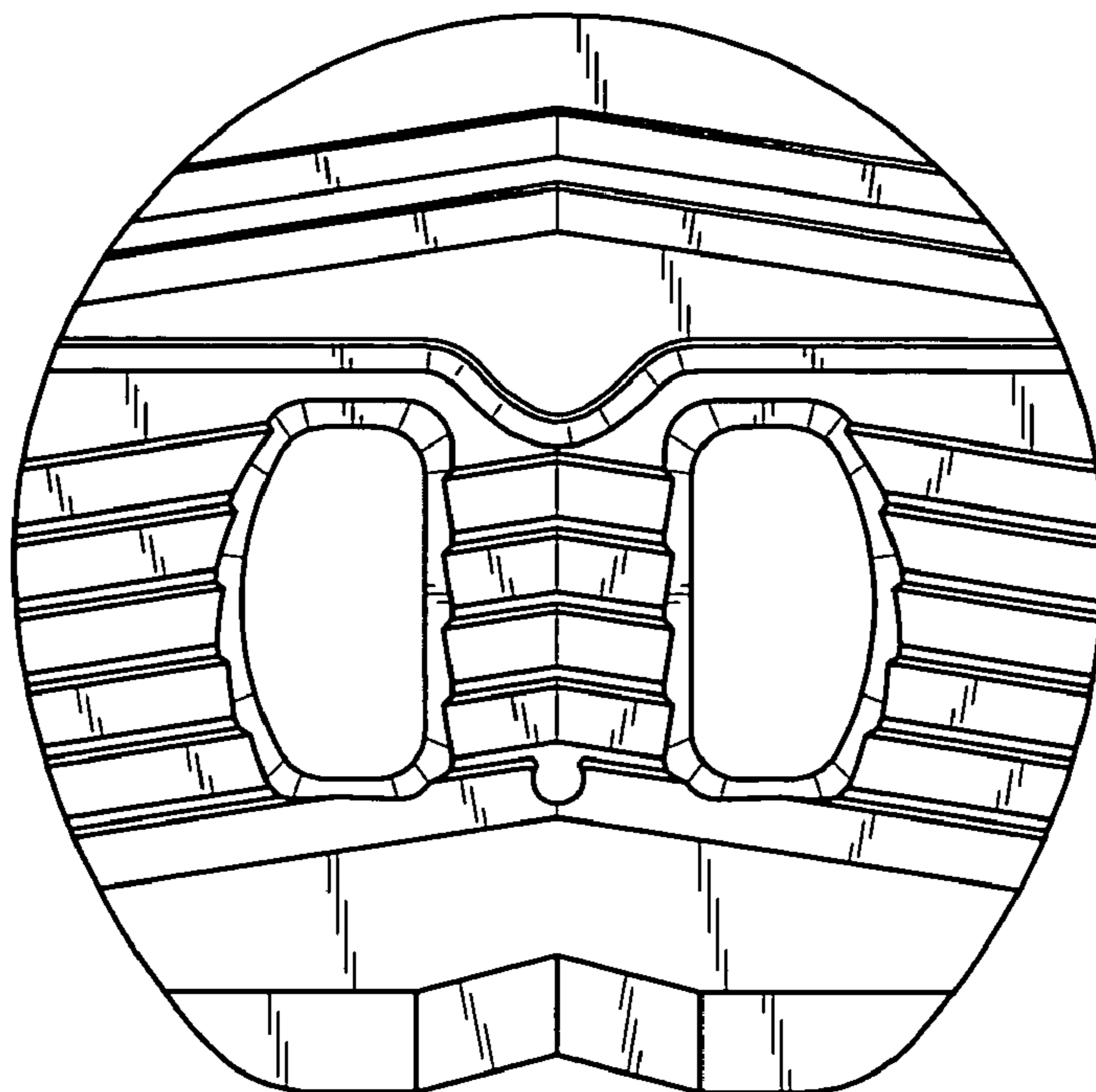


FIG. 1

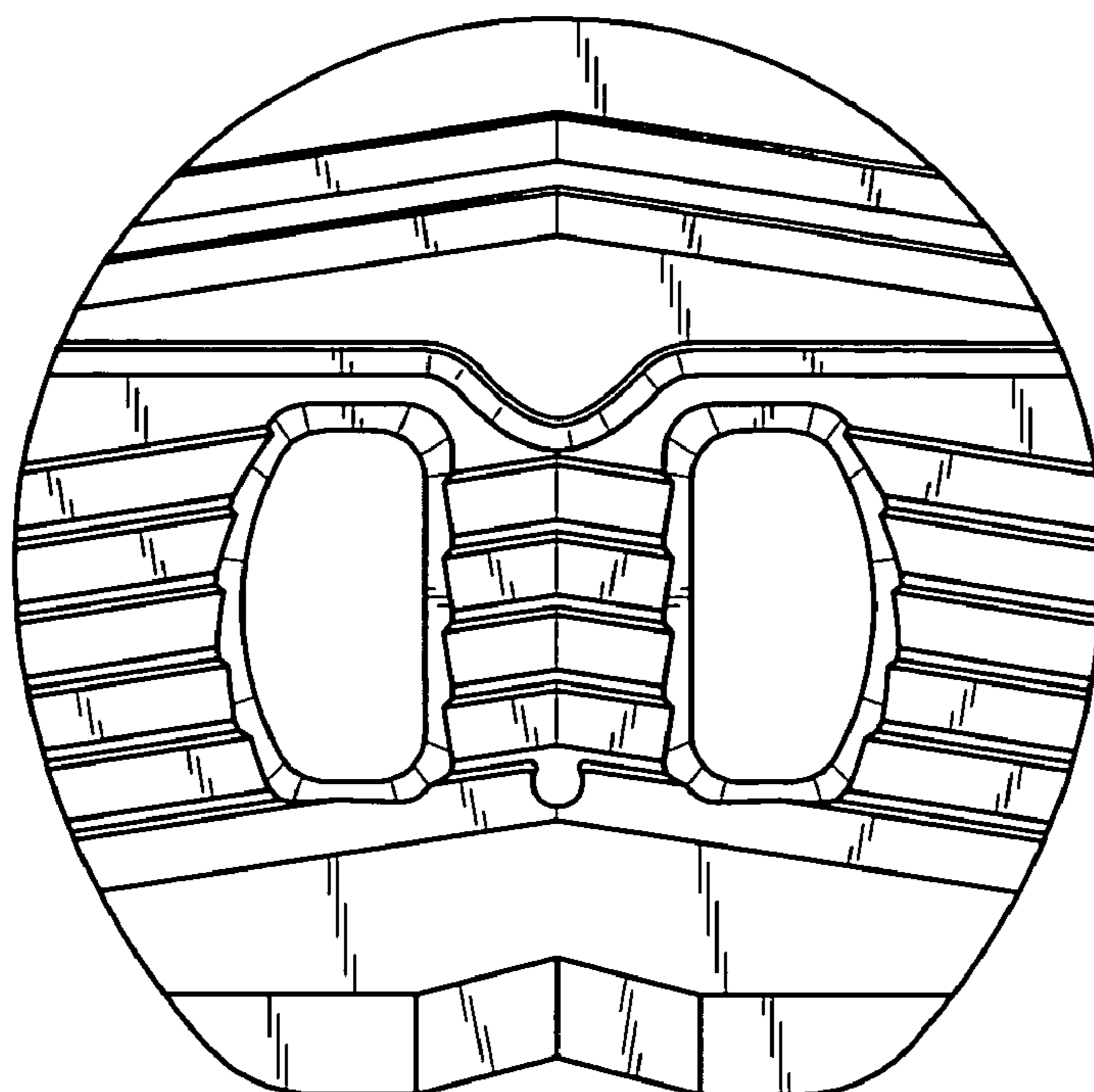


FIG. 2

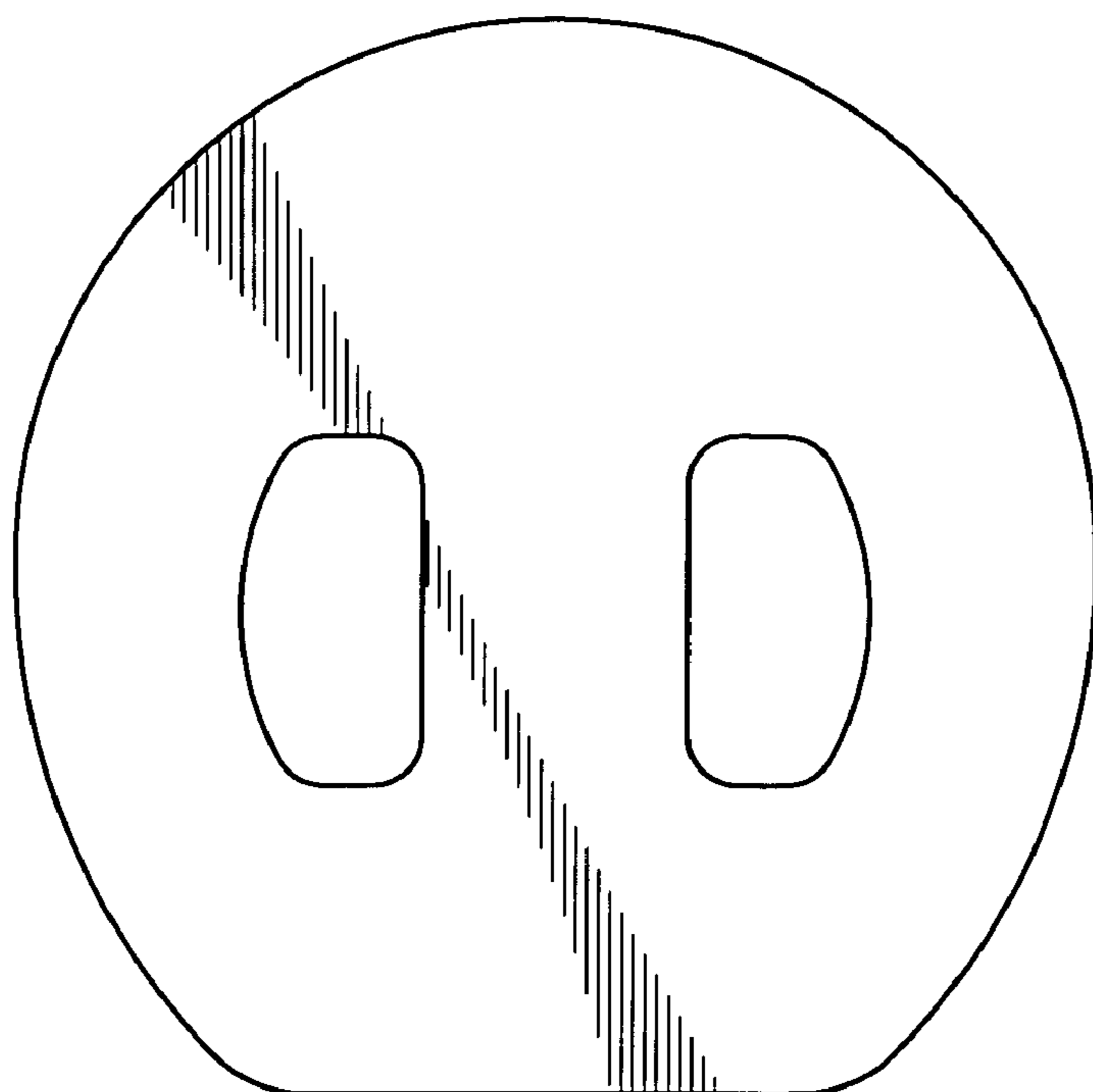


FIG. 3

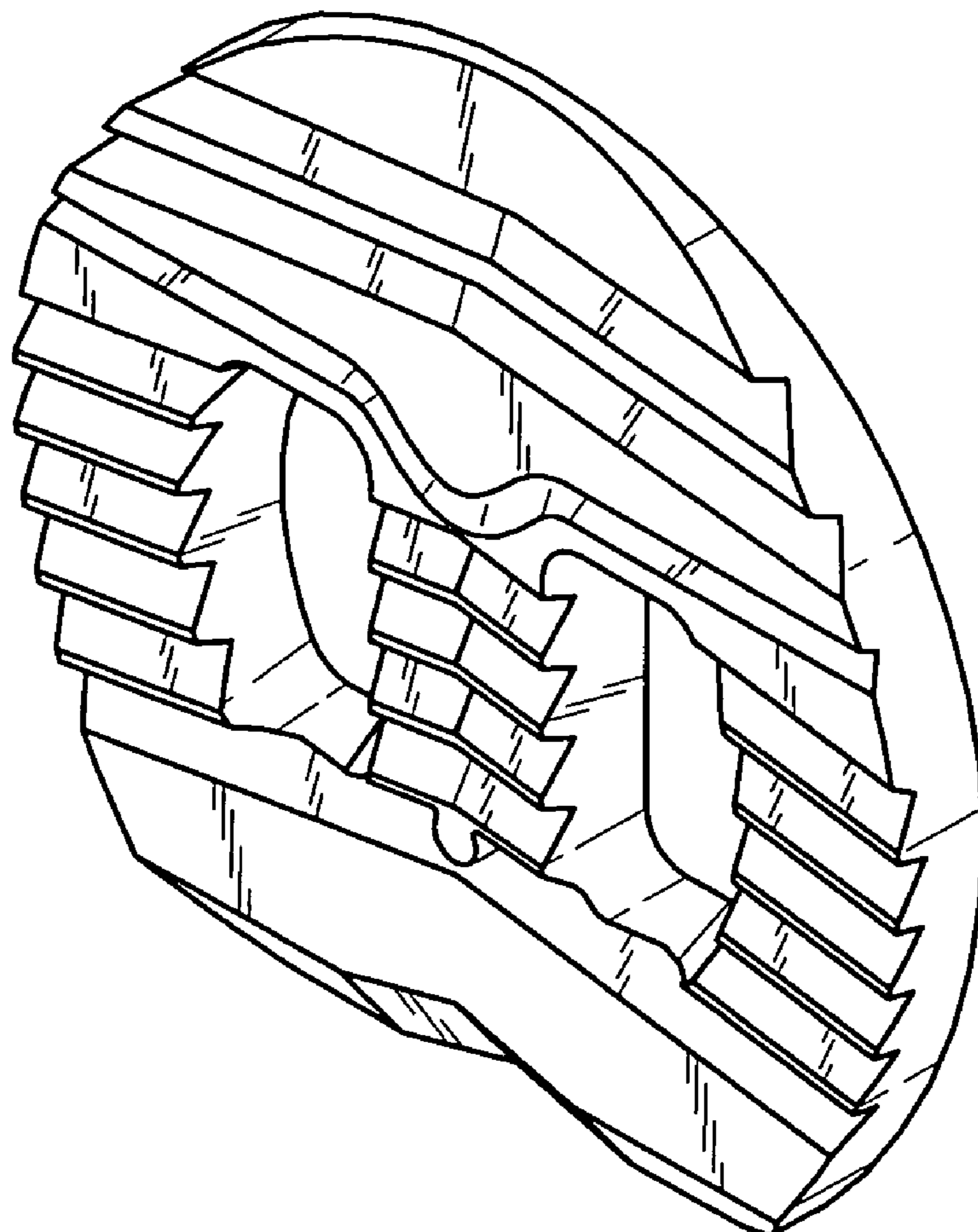


FIG. 4

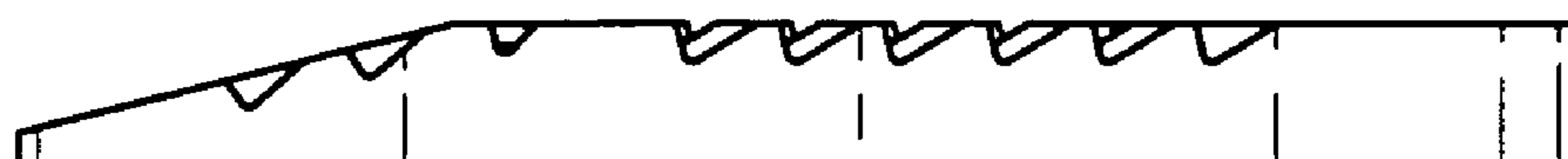


FIG. 5

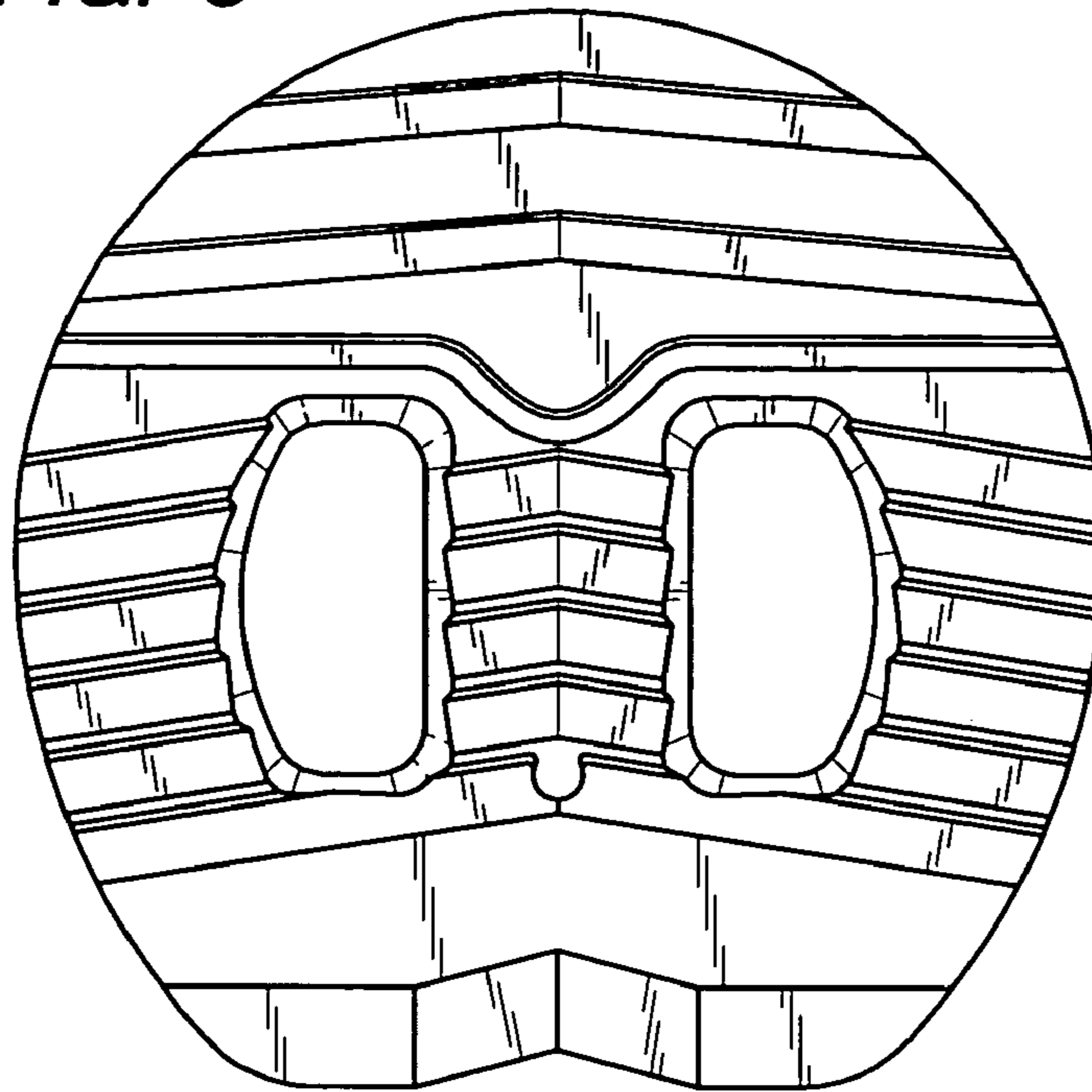


FIG. 6

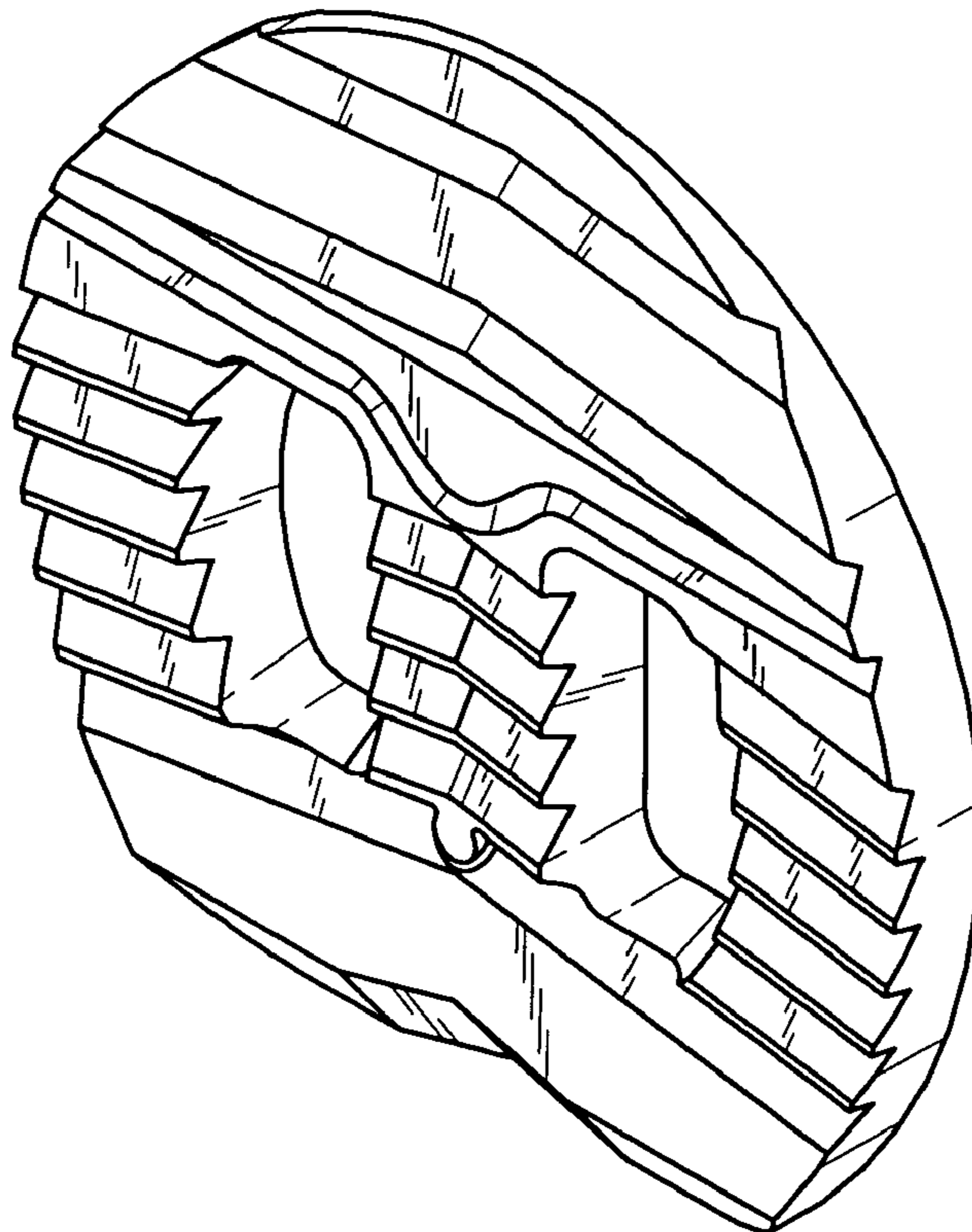


FIG. 7

