



US00D572866S

(12) **United States Design Patent**
Bloedorn

(10) **Patent No.:** **US D572,866 S**
(45) **Date of Patent:** **** Jul. 8, 2008**

(54) **BIRD FEEDER**

(57) **CLAIM**

(75) Inventor: **Daniel A. Bloedorn**, Chilton, WI (US)

I claim the ornamental design for a bird feeder, as shown and described.

(73) Assignee: **Backyard Nature Products, Inc.**,
Chilton, WI (US)

DESCRIPTION

(**) Term: **14 Years**

FIG. 1 is a perspective view of a first embodiment of a bird feeder according to the present design;

(21) Appl. No.: **29/251,770**

FIG. 2 is a front elevation view thereof, the rear view being a mirror image, except for the clip shown on the base thereof;

(22) Filed: **Jan. 12, 2006**

FIG. 3 is a side elevation view thereof, the opposite side being a mirror image, except for the clip shown on the base thereof;

(51) **LOC (8) Cl.** **30-03**

(52) **U.S. Cl.** **D30/127; D30/128**

FIG. 4 is a perspective view of a second embodiment of the bird feeder of FIG. 1;

(58) **Field of Classification Search** D30/121,
D30/124-128, 133; 119/51.01, 52.2-52.4,
119/57.8, 57.9, 248; 248/219.1, 222.11,
248/224.7, 229.1, 230.1, 689

FIG. 5 is a front elevation view thereof, the rear view being a mirror image, except for the clip shown on the base thereof;

See application file for complete search history.

FIG. 6 is a side elevation view thereof, the opposite side being a mirror image, except for the clip shown on the base thereof;

(56) **References Cited**

FIG. 7 is a perspective view of a third embodiment of the bird feeder of FIG. 1;

U.S. PATENT DOCUMENTS

FIG. 8 is a front elevation view thereof, the opposite side being a mirror image, except for the clip shown on the base thereof;

3,568,641 A	3/1971	Kilham	
D231,369 S	4/1974	Kilham	
D245,715 S	9/1977	Eldridge, Jr.	
D252,591 S *	8/1979	Hyde, Jr. D30/127
D262,917 S	2/1982	Kilham	
4,318,364 A	3/1982	Bescherer	
4,355,597 A	10/1982	Blasbalg	
4,356,793 A	11/1982	Blasbalg	
4,434,745 A	3/1984	Perkins et al.	
D278,559 S *	4/1985	Latham et al. D30/127
D282,019 S	12/1985	Kilham	
4,829,934 A	5/1989	Blasbalg	
4,996,947 A	3/1991	Petrides	

FIG. 9 is a side elevation view thereof, the opposite side being a mirror image, except for the clip shown on the base thereof;

FIG. 10 is a top view of the bird feeder embodiment shown in FIG. 1;

FIG. 11 is a bottom view of the bird feeder embodiment shown in FIG. 1;

FIG. 12 is a top view of the bird feeder for both the second and third embodiments shown in FIGS. 4 and 7; and,

FIG. 13 is a bottom view of the bird feeder for both the second and third embodiments shown in FIGS. 4 and 7.

(Continued)

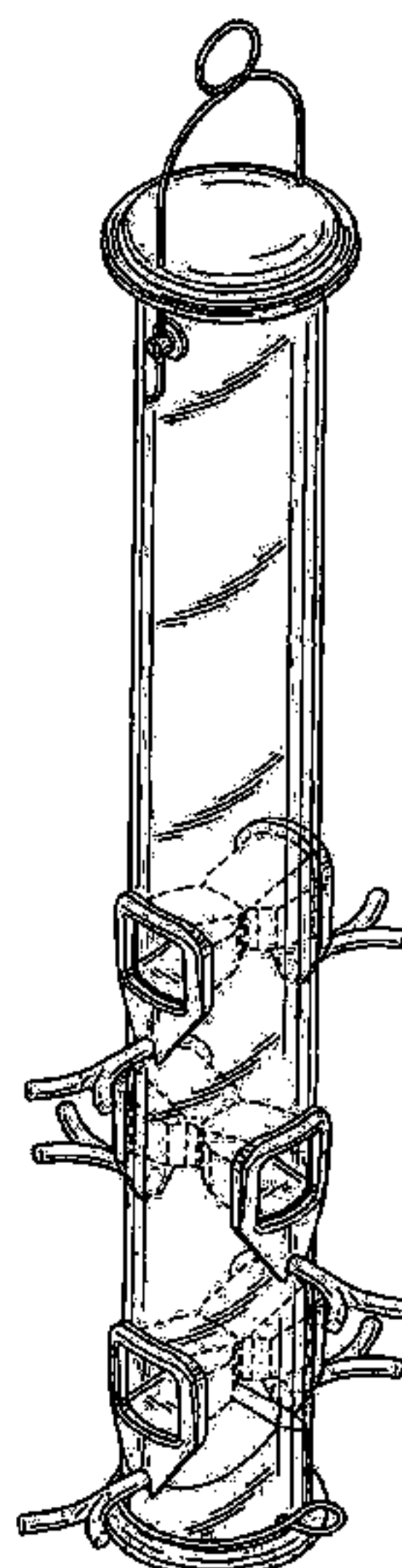
The broken lines shown in the figures are for illustrative purposes only and form no part of the claimed design.

Primary Examiner—Melanie Tung

Assistant Examiner—Susan Moon Lee

(74) *Attorney, Agent, or Firm*—Whyte Hirschboeck Dudek
SC

1 Claim, 8 Drawing Sheets



US D572,866 S

Page 2

U.S. PATENT DOCUMENTS							
			5,678,507 A	10/1997	Kassner		
			5,701,842 A	12/1997	Whittles		
			5,826,540 A	10/1998	Bridges		
			6,024,049 A	2/2000	Price		
			6,213,054 B1 *	4/2001	Marshall	119/57.8	
			6,253,707 B1	7/2001	Cote		
			6,276,298 B1	8/2001	Welsh		
			6,332,427 B1	12/2001	Coulson		
			6,378,458 B1 *	4/2002	Boyd	119/52.3	
			6,453,843 B2	9/2002	Bescherer		
			6,543,383 B1	4/2003	Cote		
			6,564,745 B1	5/2003	Bloedorn		
			D477,117 S	7/2003	Stokes et al.		
			6,584,933 B1 *	7/2003	Stone	119/57.9	
			* cited by examiner				
D320,097 S	9/1991	Vajtay					
5,062,388 A	11/1991	Kilham					
5,105,765 A	4/1992	Loken					
5,123,380 A	6/1992	Edwards					
5,215,039 A	6/1993	Bescherer					
5,285,747 A *	2/1994	Caldine	119/57.9				
D349,982 S	8/1994	Hardison					
D359,821 S	6/1995	Liethen					
5,452,682 A	9/1995	Bescherer et al.					
D367,134 S	2/1996	Bescherer					
5,642,689 A	7/1997	Harvey					
5,671,696 A	9/1997	Liethen					
D385,067 S	10/1997	Whittles					

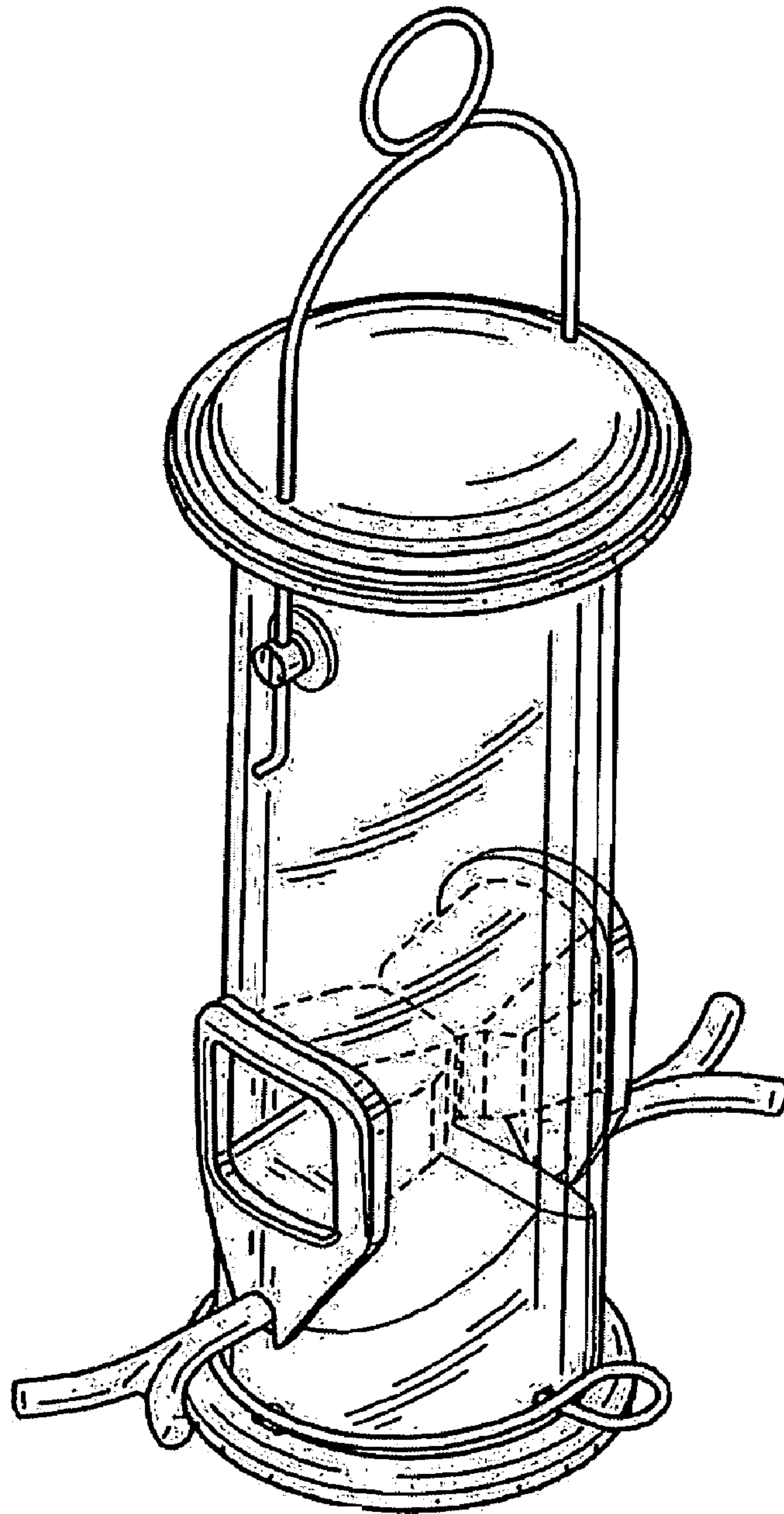


FIG. 1

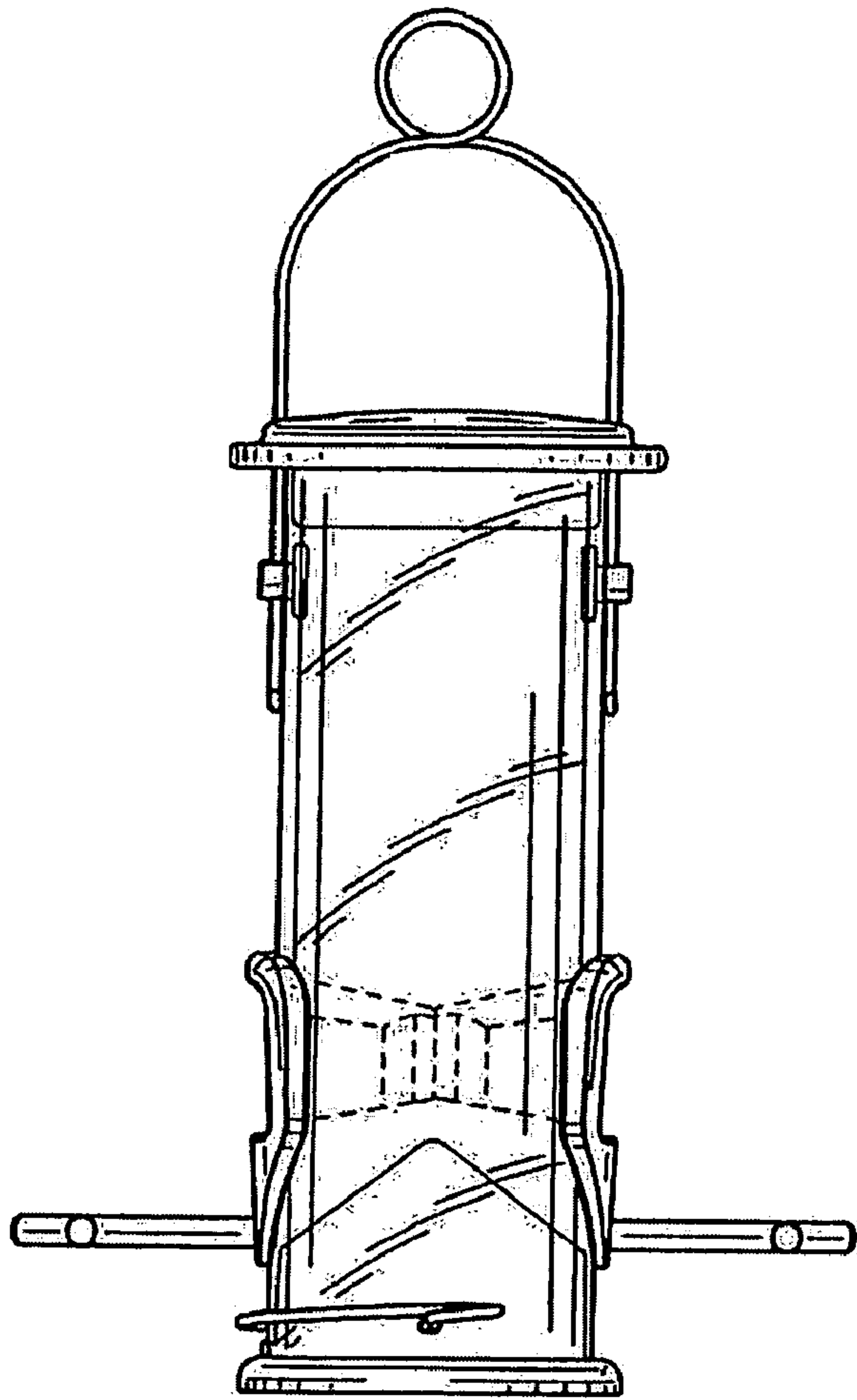


FIG. 2

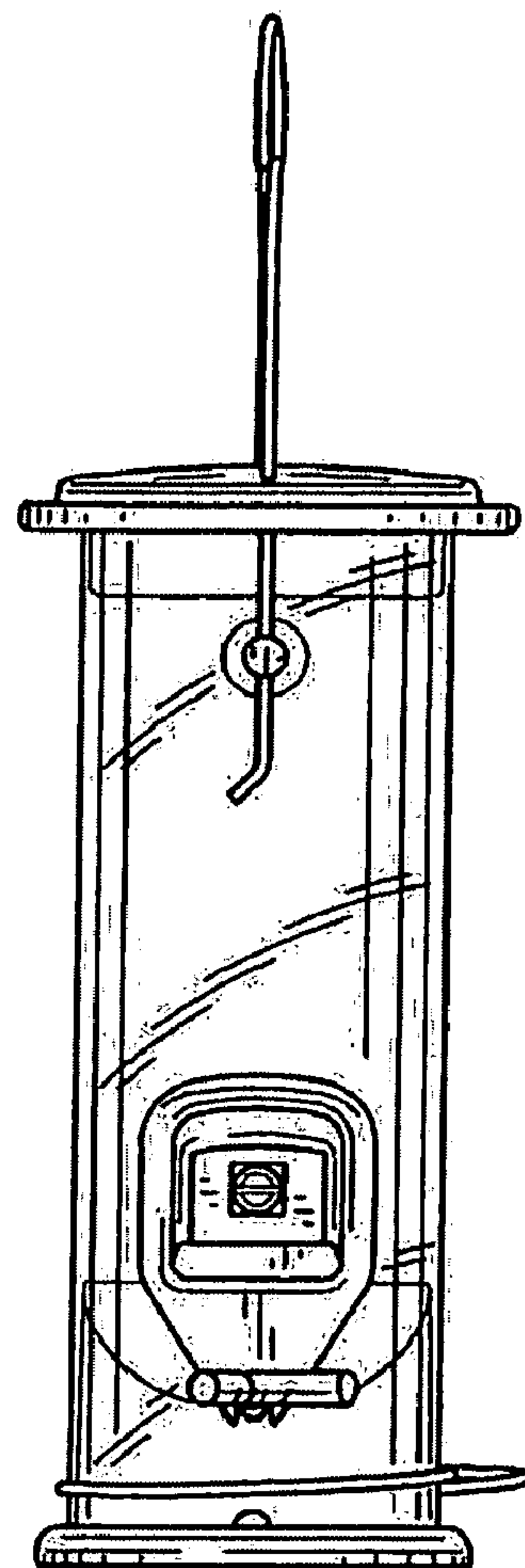


FIG. 3

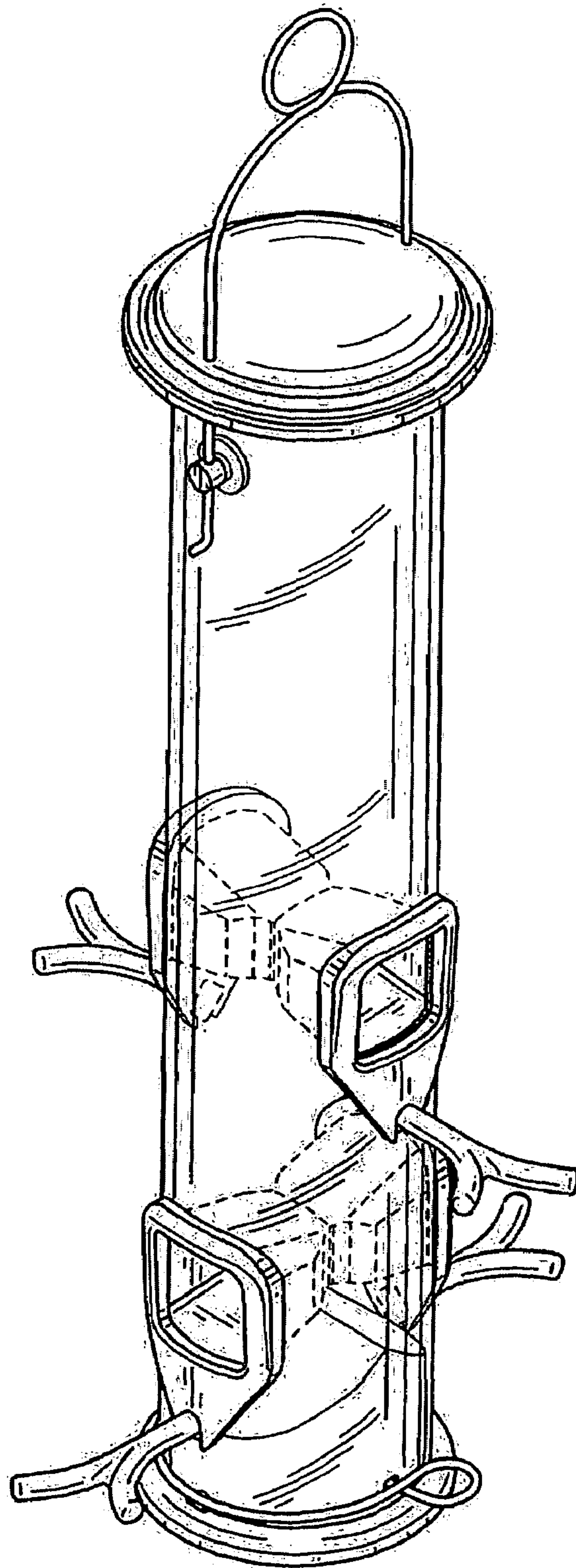


FIG. 4

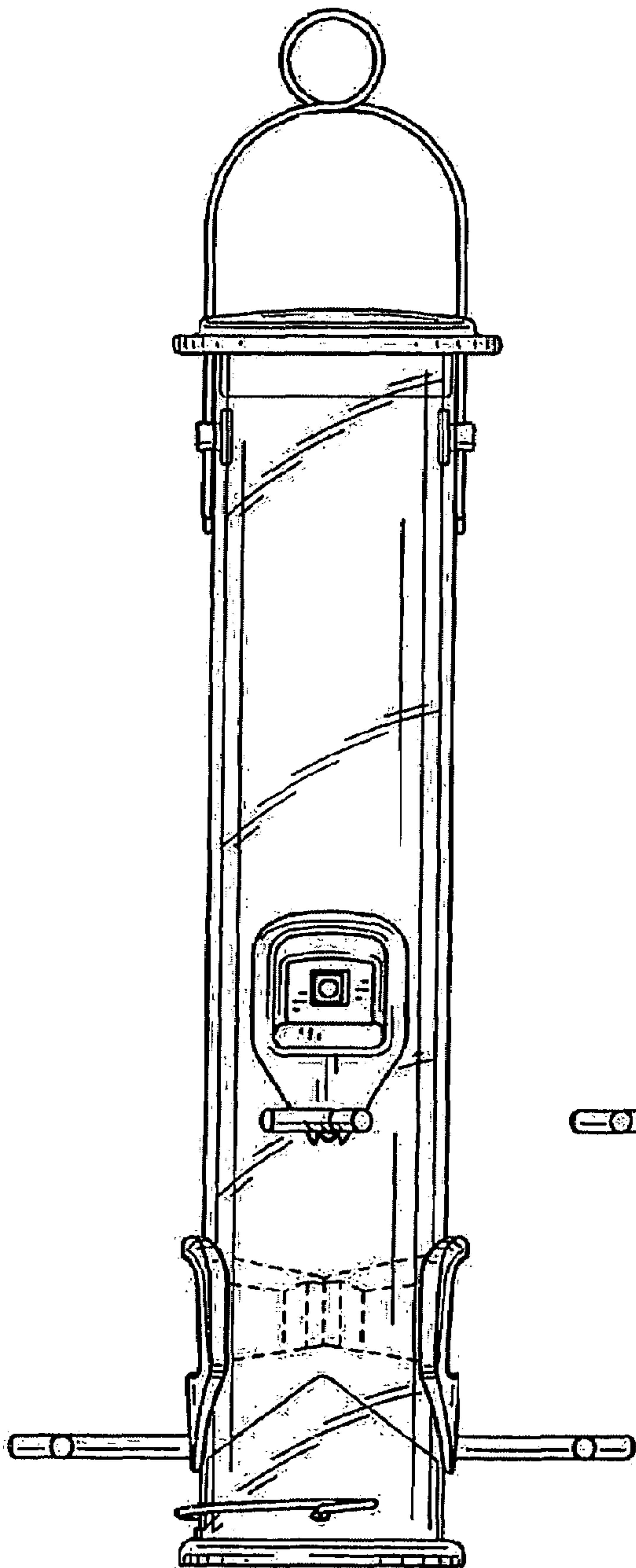


FIG. 5

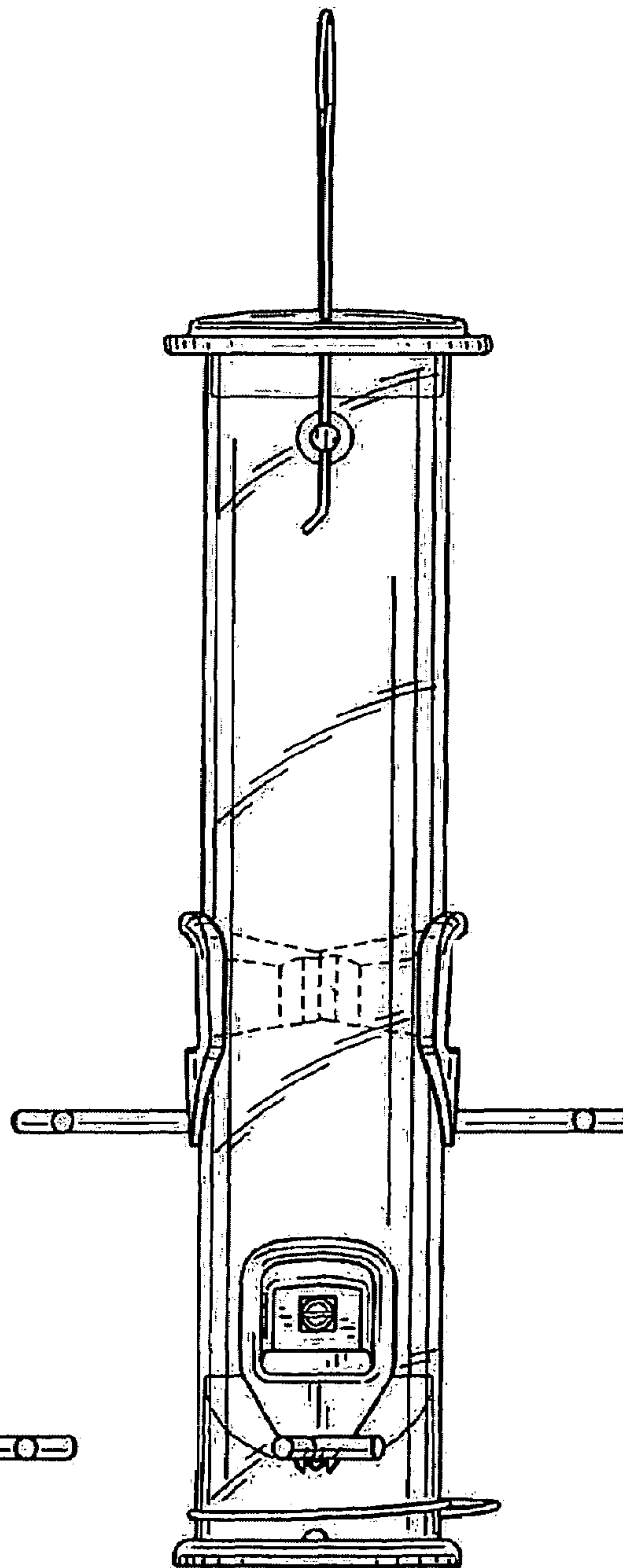


FIG. 6

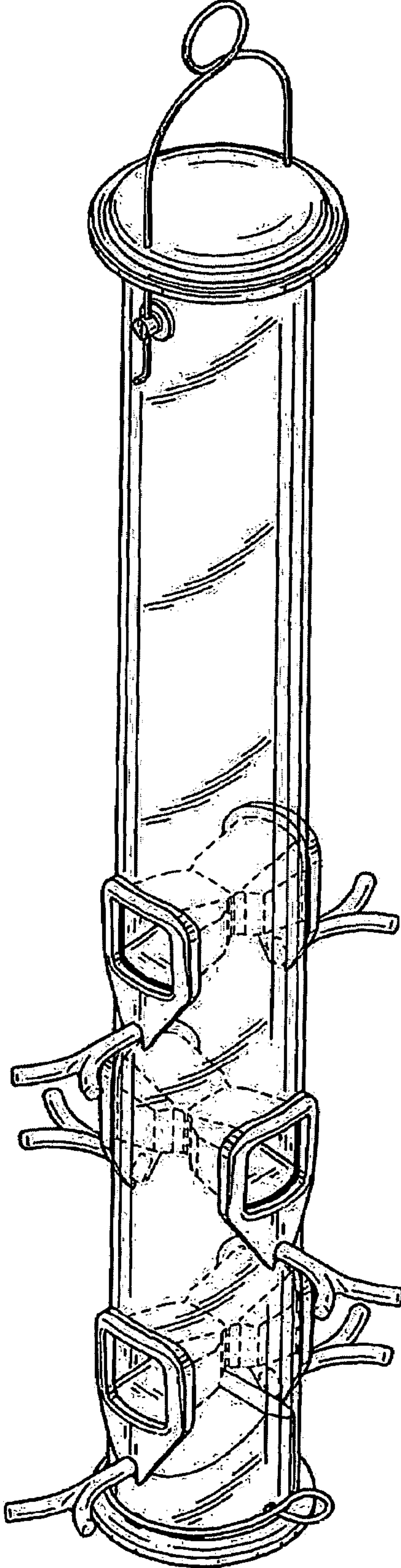
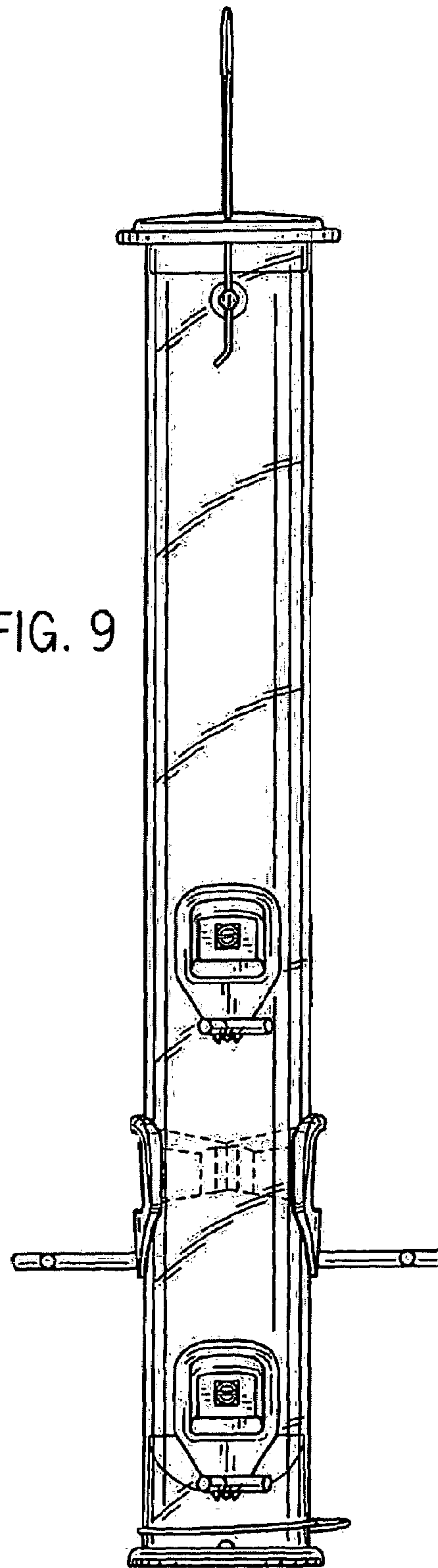
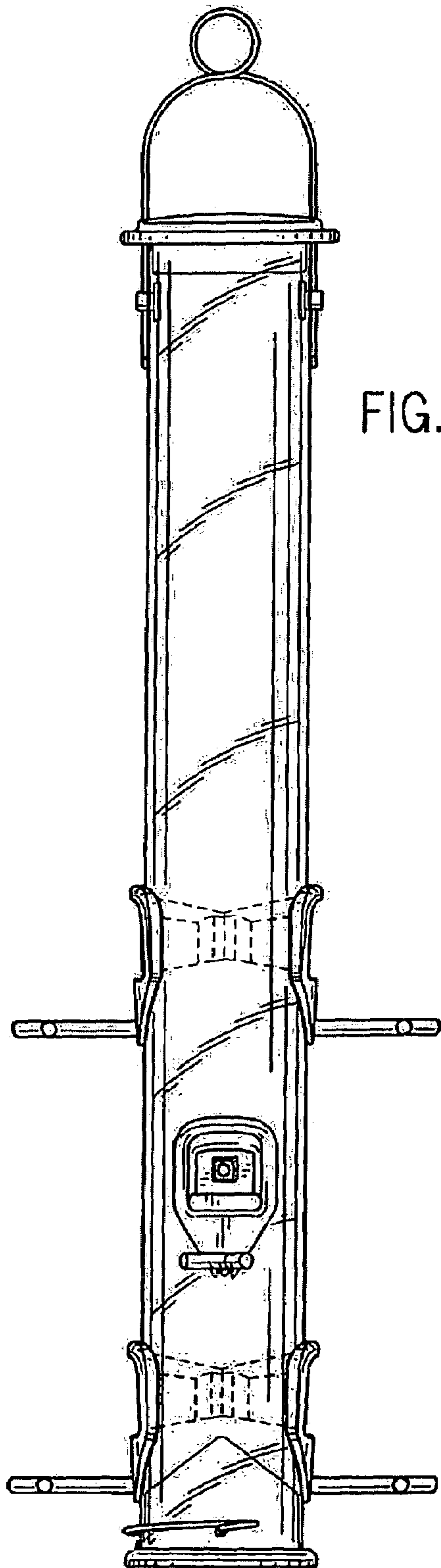


FIG. 7



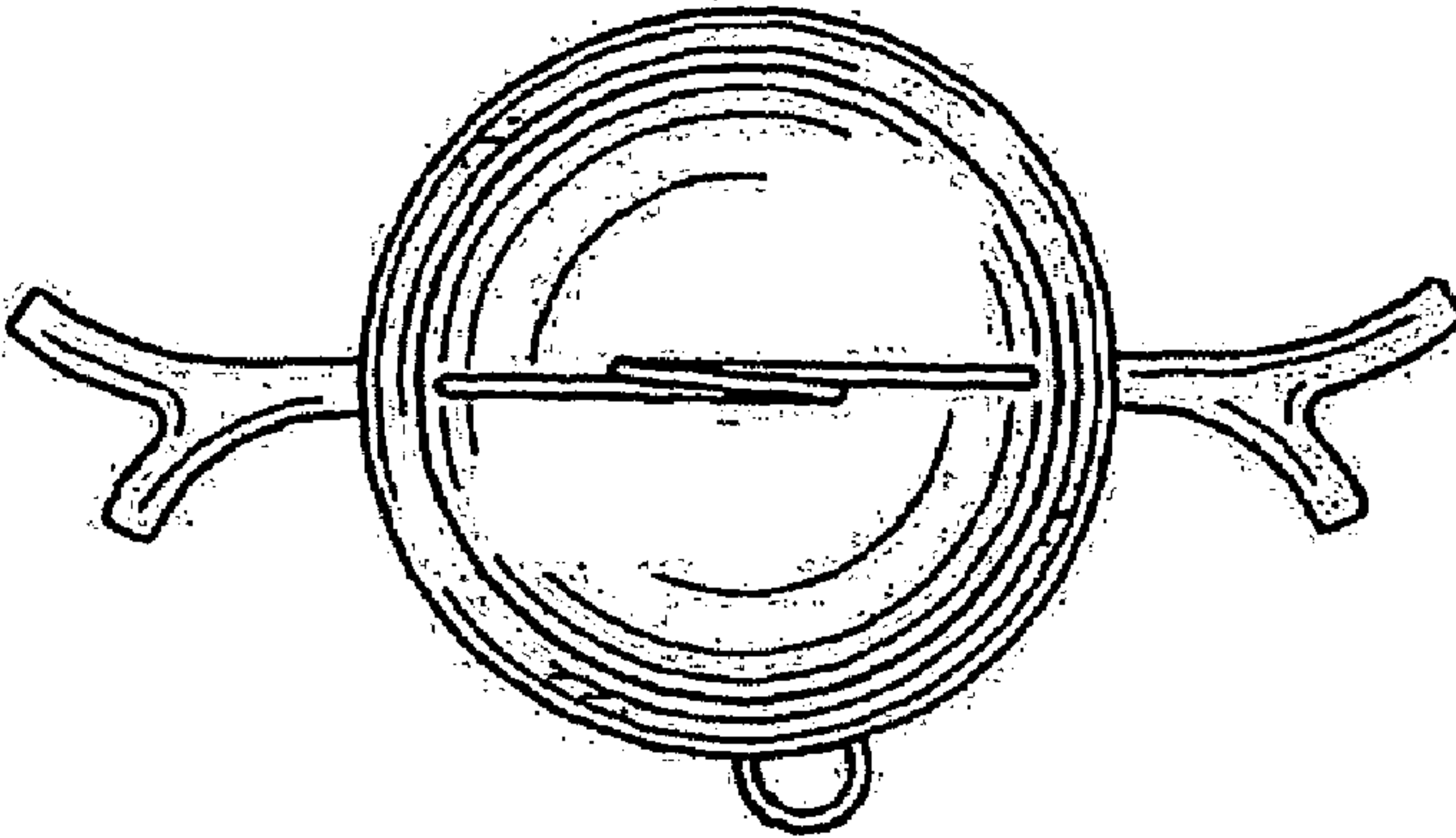


FIG. 10

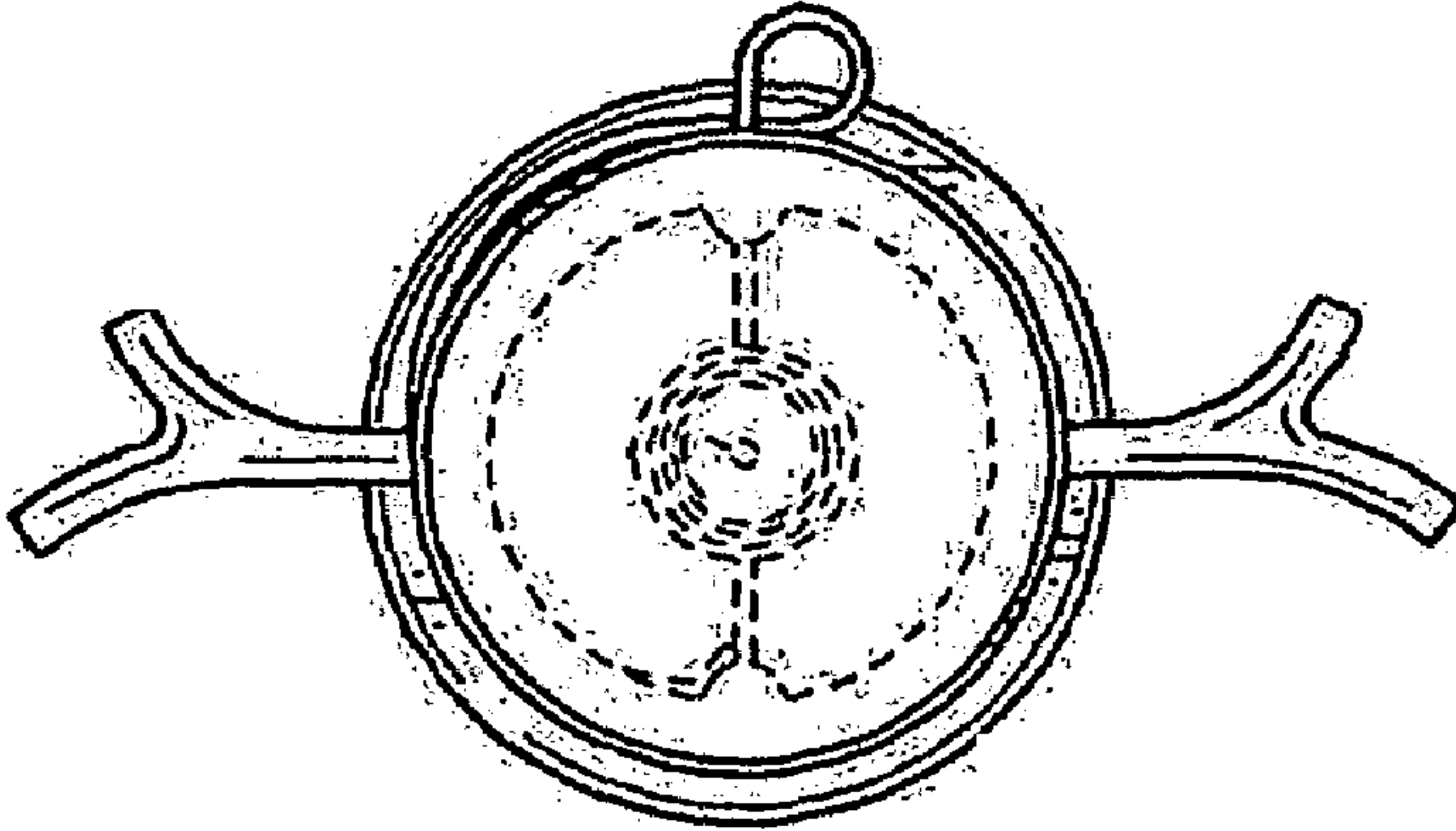


FIG. 11

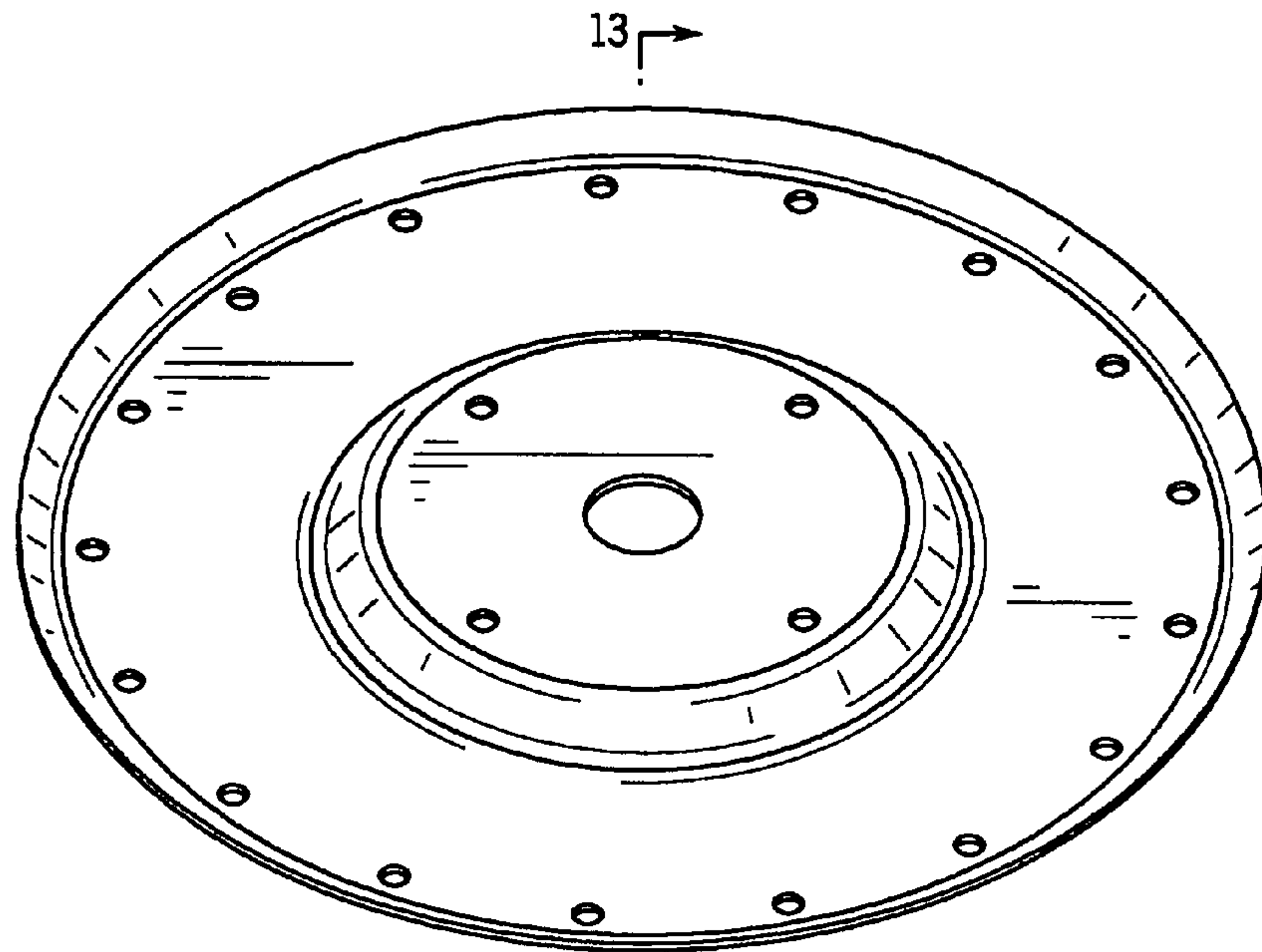


FIG. 12

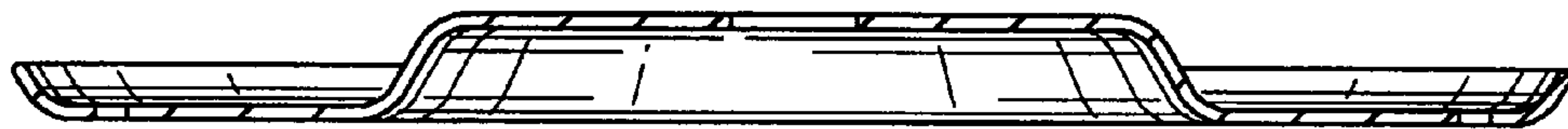
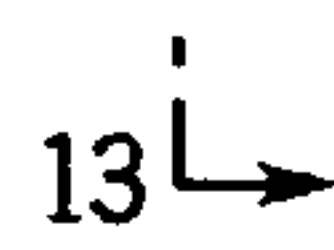


FIG. 13