



US00D572856S

(12) **United States Design Patent**
Kehl et al.

(10) **Patent No.:** **US D572,856 S**

(45) **Date of Patent:** **** Jul. 8, 2008**

(54) **WORK LAMP**

(75) Inventors: **Steven Kehl**, Erie, PA (US); **Philip C. Roller**, Ashville, NY (US)

(73) Assignee: **Truck-Lite Co., Inc.**, Falcoher, NY (US)

(**) Term: **14 Years**

(21) Appl. No.: **29/285,209**

(22) Filed: **Mar. 22, 2007**

(51) **LOC (8) Cl.** **26-05**

(52) **U.S. Cl.** **D26/61**

(58) **Field of Classification Search** D26/60-66,
D26/138; 362/16, 86, 147, 269, 275, 277,
362/278, 282, 285, 287, 288, 376-378, 387,
362/396, 403, 410, 413, 418-430, 449, 648
See application file for complete search history.

(56) **References Cited**

U.S. PATENT DOCUMENTS

D179,877 S *	3/1957	Atkin	D26/63
3,703,636 A *	11/1972	Schmitt	362/298
4,422,136 A *	12/1983	Newman et al.	362/390
D297,671 S *	9/1988	Groh	D26/63
D360,961 S *	8/1995	Czerlanis et al.	D26/67
D360,963 S *	8/1995	Czerlanis et al.	D26/67
D393,086 S *	3/1998	Nagano	D26/28
D465,588 S *	11/2002	Nagano	D26/28

D470,257 S	2/2003	Byggmaster	D26/28
D471,658 S	3/2003	Byggmaster	D26/28
D510,636 S *	10/2005	Yamamoto	D26/28
D545,987 S *	7/2007	Guercio	D26/63

* cited by examiner

Primary Examiner—Cathron Brooks

Assistant Examiner—Barbara Fox

(74) *Attorney, Agent, or Firm*—The Bilicki Law Firm P.C.;
Carl A. Hjort, III

(57) **CLAIM**

The ornamental design for a work lamp, as described and shown.

DESCRIPTION

FIG. 1 is a side view of a work lamp.

FIG. 2 is a front view of a work lamp.

FIG. 3 is a back view of a work lamp.

FIG. 4 is a top view of a work lamp; and,

FIG. 5 is a front view of an illuminated work lamp, showing the lights in their illuminated form of use, with the dotted lines indicating the pattern of light emitted, and the solid line circles indicating the bulbs.

The dotted lines in the drawings represent the pattern of light emitted by the work lamp, which forms part of the claim.

1 Claim, 5 Drawing Sheets

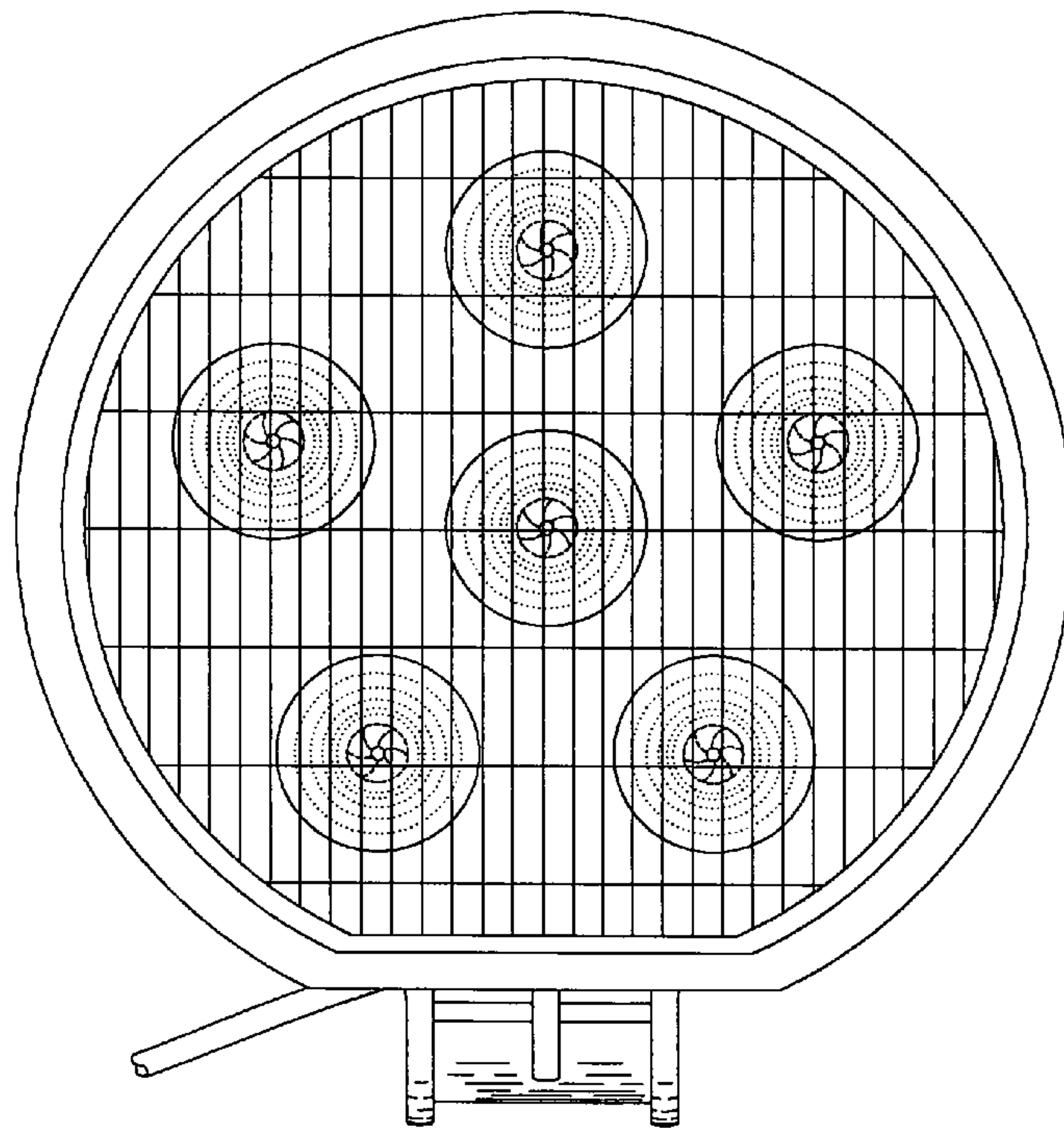
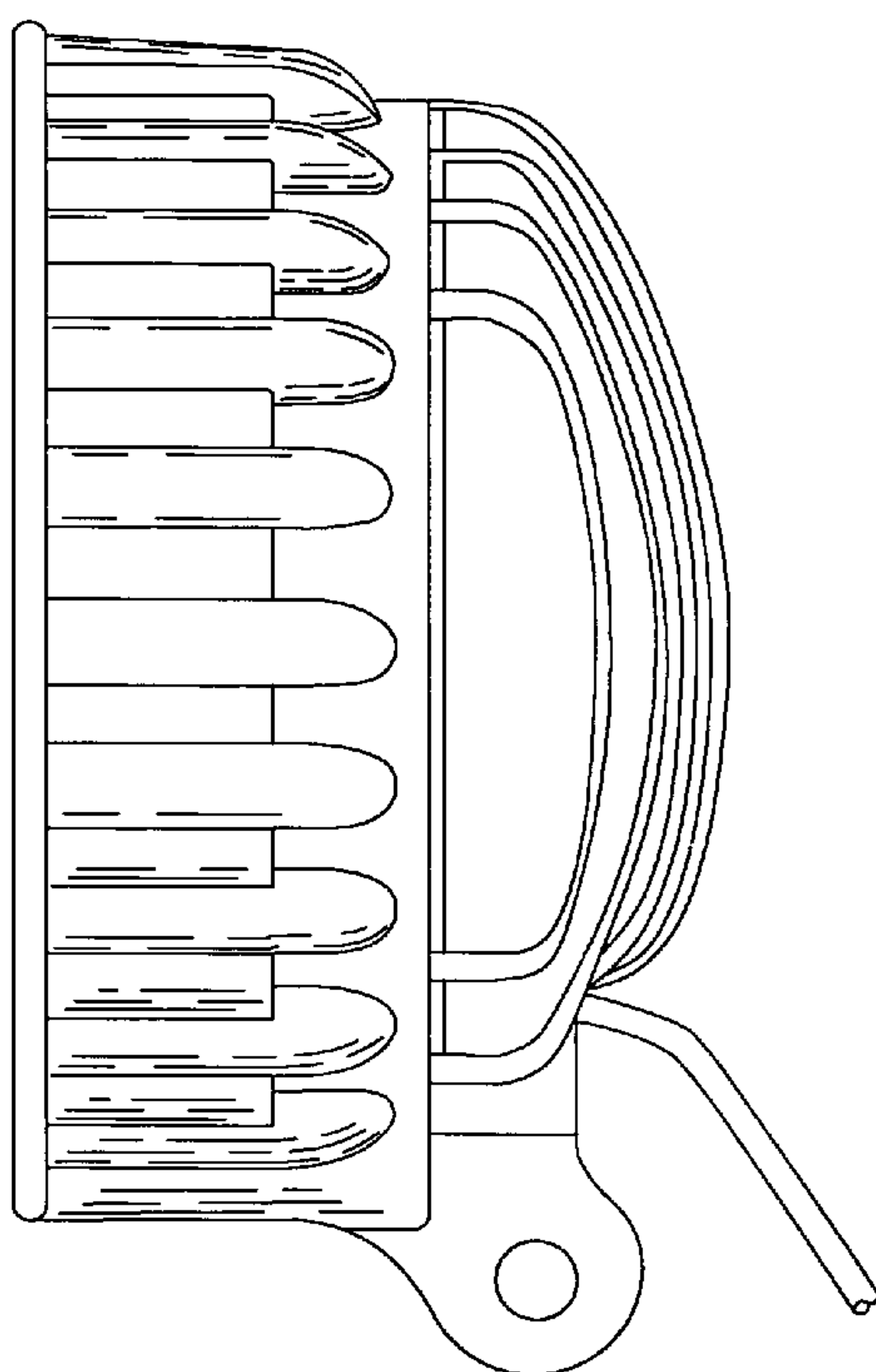


Figure 1

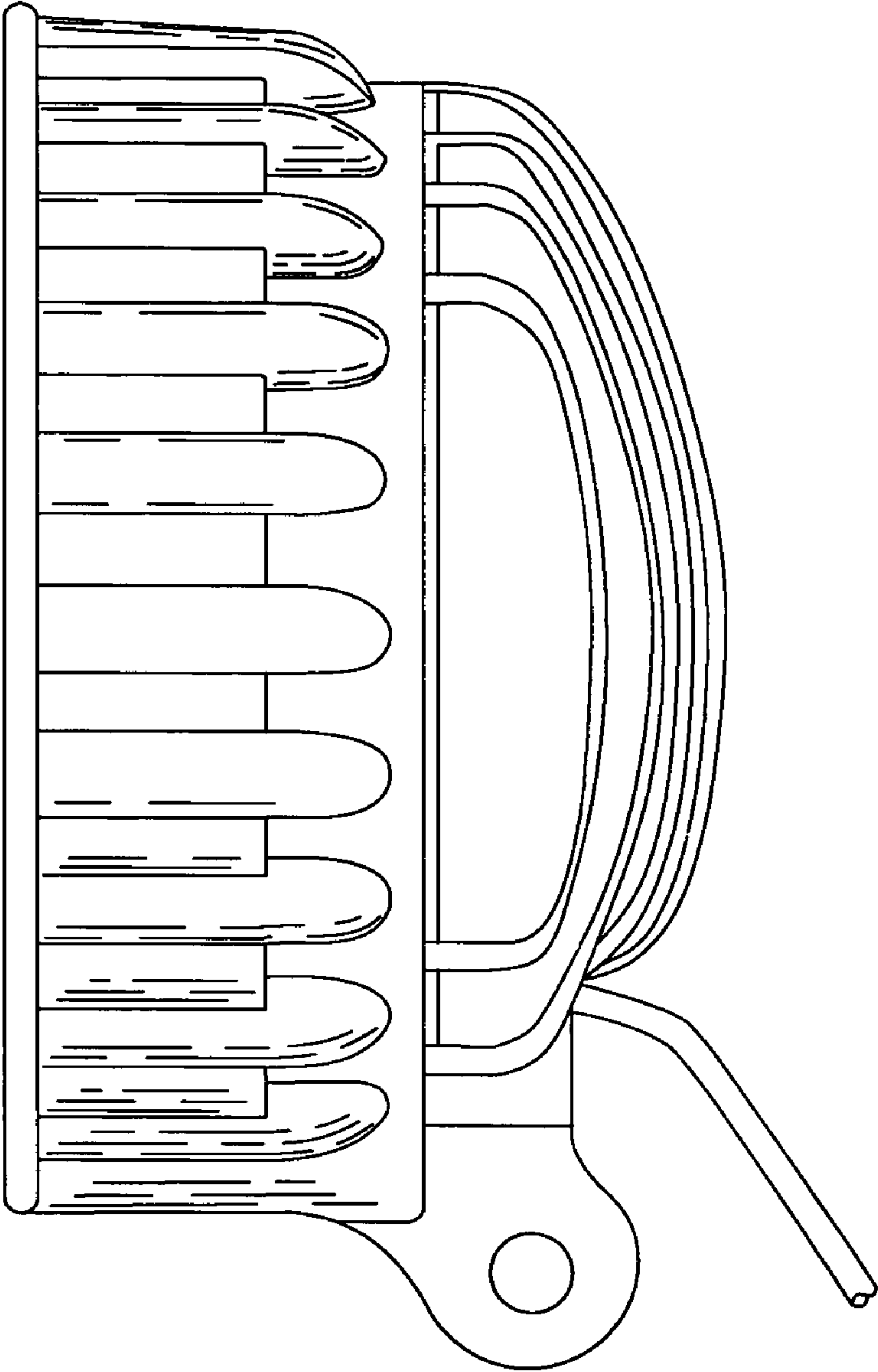


Figure 2

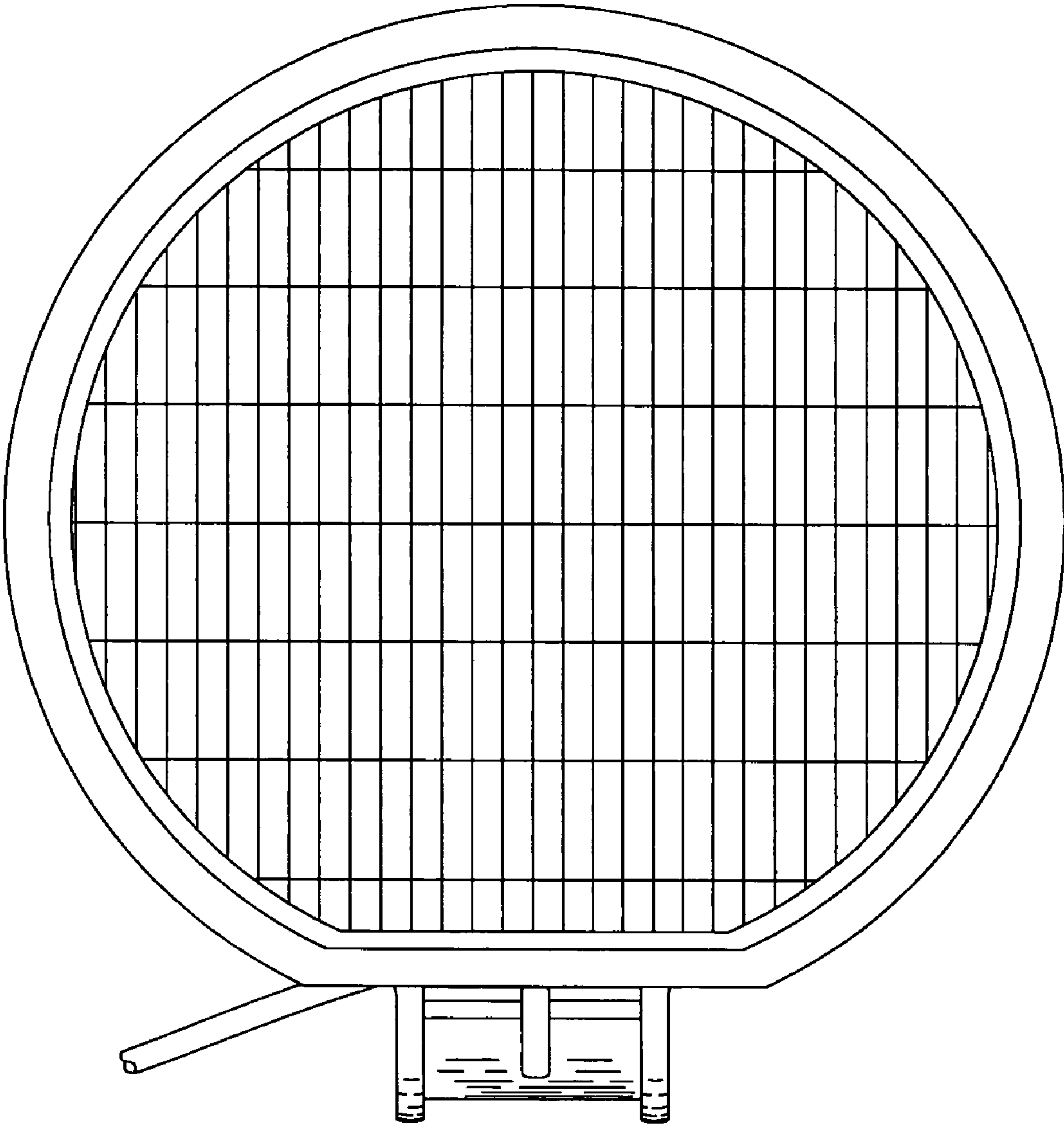


Figure 3

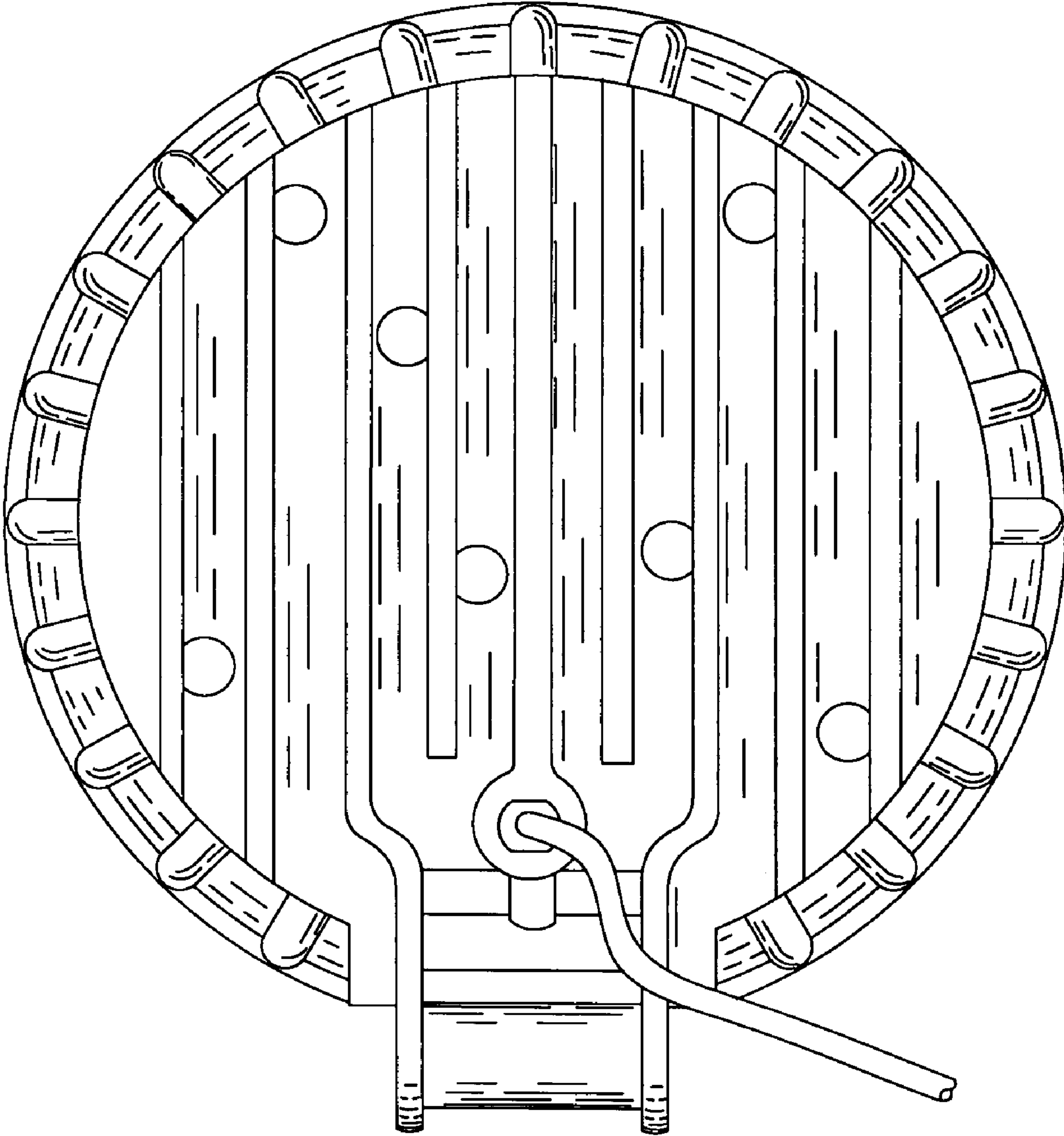


Figure 4

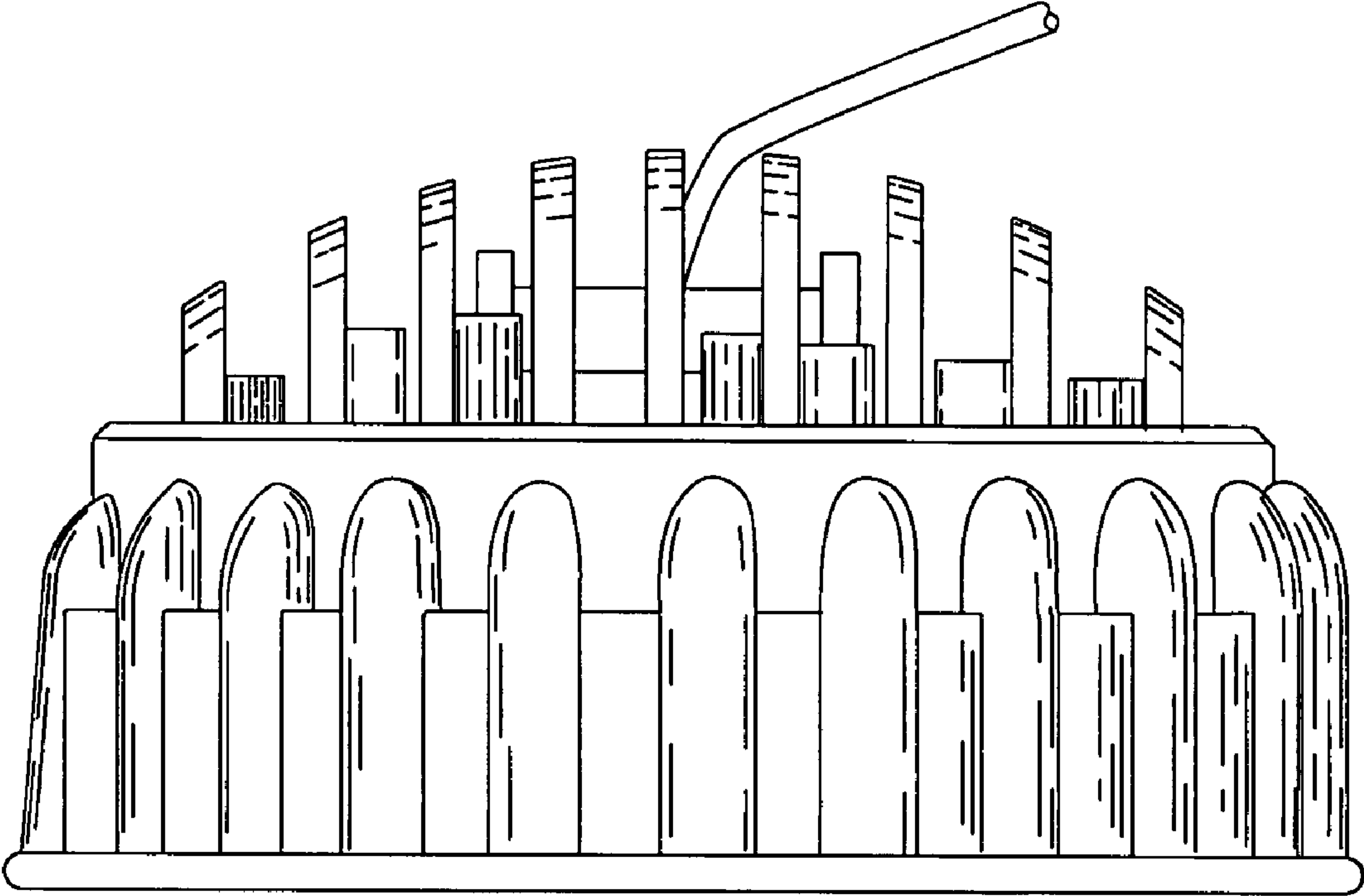
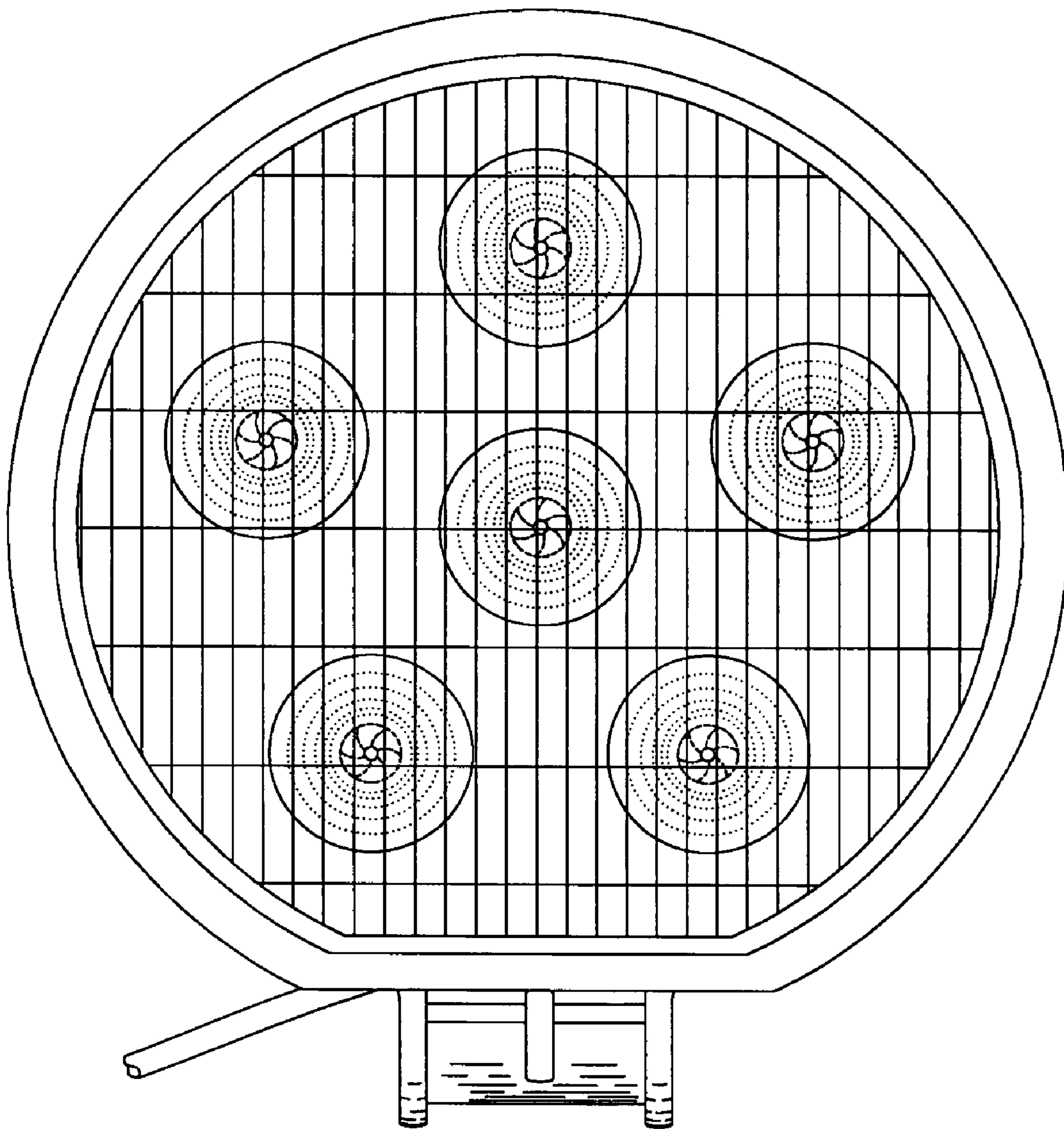


Figure 5



UNITED STATES PATENT AND TRADEMARK OFFICE
CERTIFICATE OF CORRECTION

PATENT NO. : Des. 572,856 S
APPLICATION NO. : 29/285209
DATED : July 8, 2008
INVENTOR(S) : Kehl et al.

Page 1 of 1

It is certified that error appears in the above-identified patent and that said Letters Patent is hereby corrected as shown below:

Title Page, Item 73 change "Falcoher" to -- Falconer --

Signed and Sealed this

Twenty-first Day of October, 2008

A handwritten signature in black ink that reads "Jon W. Dudas". The signature is written in a cursive style with a large, stylized initial "J".

JON W. DUDAS

Director of the United States Patent and Trademark Office

UNITED STATES PATENT AND TRADEMARK OFFICE
CERTIFICATE OF CORRECTION

PATENT NO. : D572,856 S
APPLICATION NO. : 29/285209
DATED : July 8, 2008
INVENTOR(S) : Kehl et al.

Page 1 of 1

It is certified that error appears in the above-identified patent and that said Letters Patent is hereby corrected as shown below:

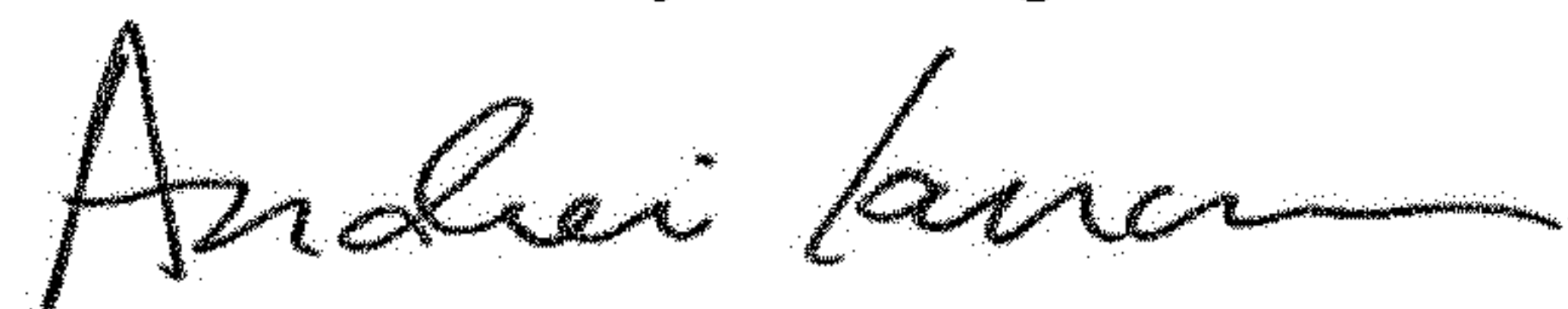
On the Title Page

At Item (75), Inventors:

At Line number 2, after (US) add the name:

Gregory Pond, Jamestown, NY (US)

Signed and Sealed this
Seventh Day of August, 2018



Andrei Iancu
Director of the United States Patent and Trademark Office