

US00D572855S

(12) **United States Design Patent**  
**Kim**

(10) **Patent No.:** **US D572,855 S**  
(45) **Date of Patent:** **\*\* Jul. 8, 2008**

(54) **FLASHLIGHT BODY PORTION**  
(75) Inventor: **Paul Y. Kim**, Santa Ana, CA (US)  
(73) Assignee: **Surefire, LLC**, Fountain Valley, CA (US)  
(\*\*) Term: **14 Years**  
(21) Appl. No.: **29/271,729**  
(22) Filed: **Jan. 24, 2007**

D504,529 S 4/2005 Vickers et al.  
D505,218 S 5/2005 Van Deursen  
6,926,422 B2 \* 8/2005 Bruwer et al. .... 362/157  
D521,166 S \* 5/2006 Yamamoto et al. .... D26/37  
D529,211 S \* 9/2006 Lee ..... D26/37  
D532,138 S 11/2006 Wang et al.  
D533,674 S 12/2006 Julius et al.  
D534,293 S 12/2006 Kim  
D534,294 S 12/2006 Kim  
D534,671 S 1/2007 Kim  
D534,672 S 1/2007 Kim  
D557,836 S \* 12/2007 Shiu ..... D26/37

(51) **LOC (8) Cl.** ..... **26-02**  
(52) **U.S. Cl.** ..... **D26/49**  
(58) **Field of Classification Search** ..... D26/37,  
D26/46, 48, 49, 50; 362/157, 158, 183, 196,  
362/195, 194, 203-207; D8/82, 83; D7/649,  
D7/345

See application file for complete search history.

(56) **References Cited**

**U.S. PATENT DOCUMENTS**

D37,922 S 3/1906 Tower  
D37,993 S 5/1906 Tower  
D37,998 S 5/1906 Tower  
D275,932 S \* 10/1984 Himbert et al. .... D8/83  
D329,367 S 9/1992 Landy  
D332,839 S \* 1/1993 Beckner, Jr. .... D26/37  
D360,958 S 8/1995 Huen  
D427,701 S 7/2000 Winkler  
D446,689 S 8/2001 Van Leeuwen  
D465,701 S 11/2002 Epstein et al.  
D474,654 S 5/2003 Hasegawa  
D476,437 S \* 6/2003 Dalton et al. .... D26/37  
D477,980 S 8/2003 Chang  
D478,391 S 8/2003 Saunders  
D490,918 S 6/2004 Saunders  
D495,442 S 8/2004 Packard  
D498,014 S \* 11/2004 Cormier et al. .... D26/37  
D501,055 S \* 1/2005 Packard ..... D26/37

**OTHER PUBLICATIONS**

“Surefire 2003 Illumination Tools” catalog, published by Surefire, LLC, Fountain Valley, California (prior to Dec. 2003).

\* cited by examiner

*Primary Examiner*—Ian Simmons  
*Assistant Examiner*—Carissa C Fitts  
(74) *Attorney, Agent, or Firm*—David Weiss

(57) **CLAIM**

The ornamental design for a flashlight body portion, as shown and described.

**DESCRIPTION**

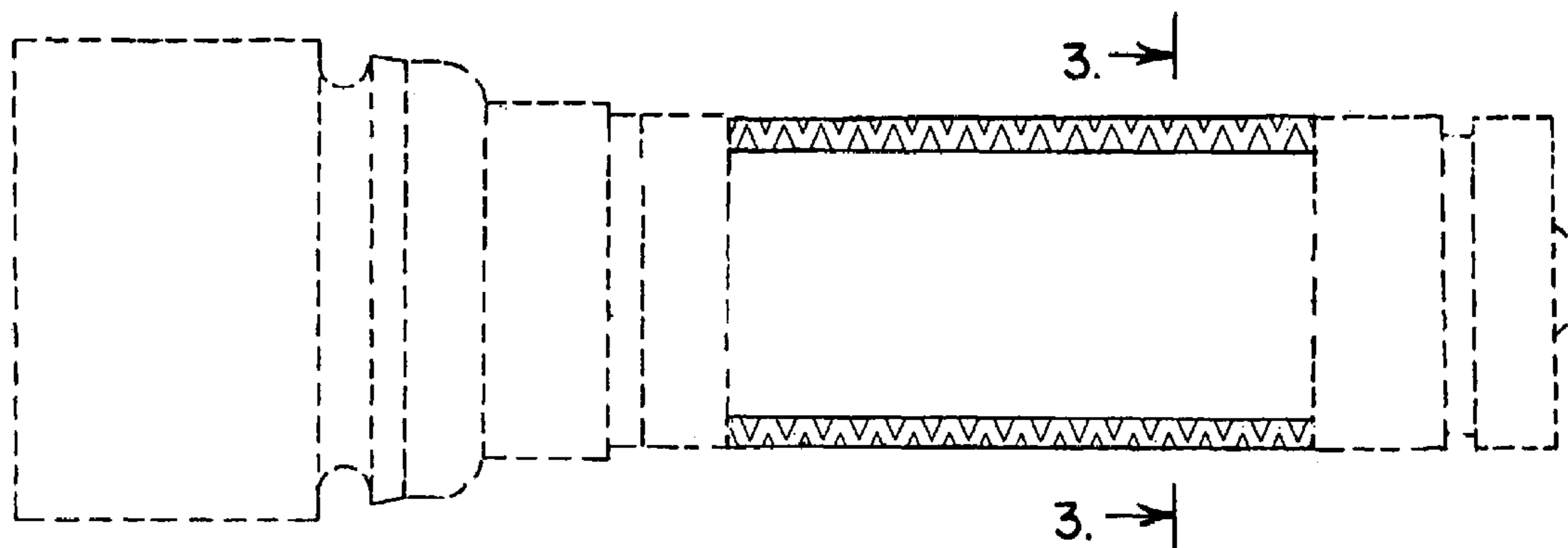
FIG. 1 is a left side elevation view of a flashlight body portion showing my new design, the right side elevation view being a mirror image;

FIG. 2 is a top plan view thereof, the bottom plan view being a mirror image; and,

FIG. 3 is a cross-sectional outline thereof, taken along the line 3—3 of FIG. 1 and viewed in the direction of the appended arrows, showing the profile of the flashlight body portion.

The dashed lines in FIGS. 1 and 2 are shown for illustrative purposes and form no part of the claimed design.

**1 Claim, 1 Drawing Sheet**



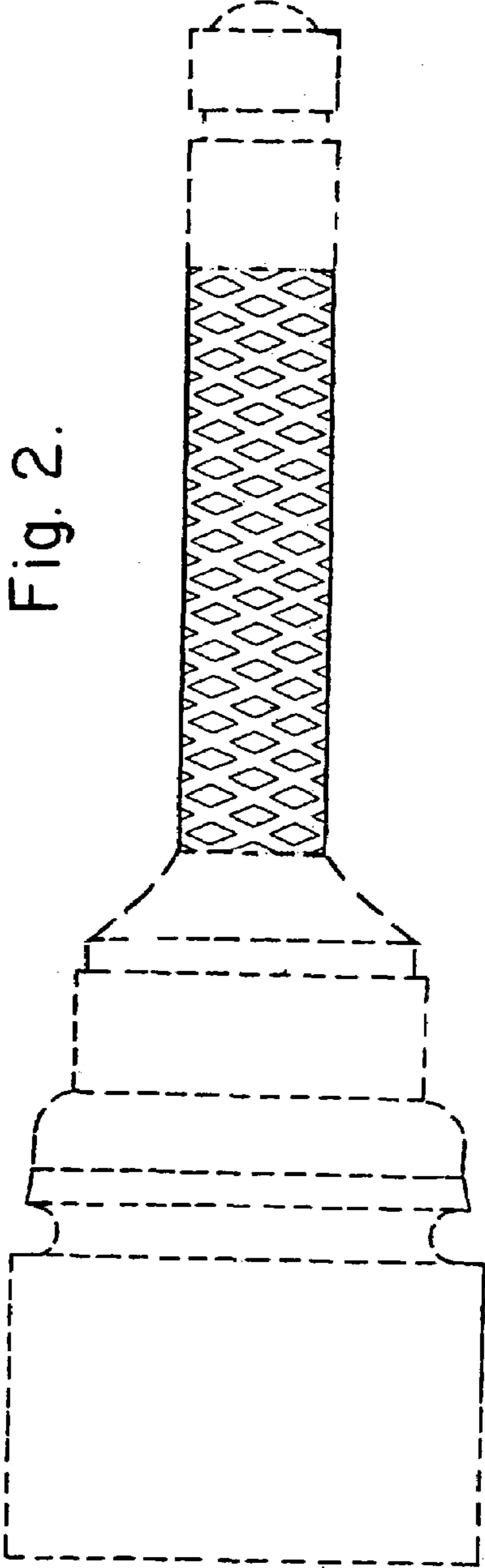
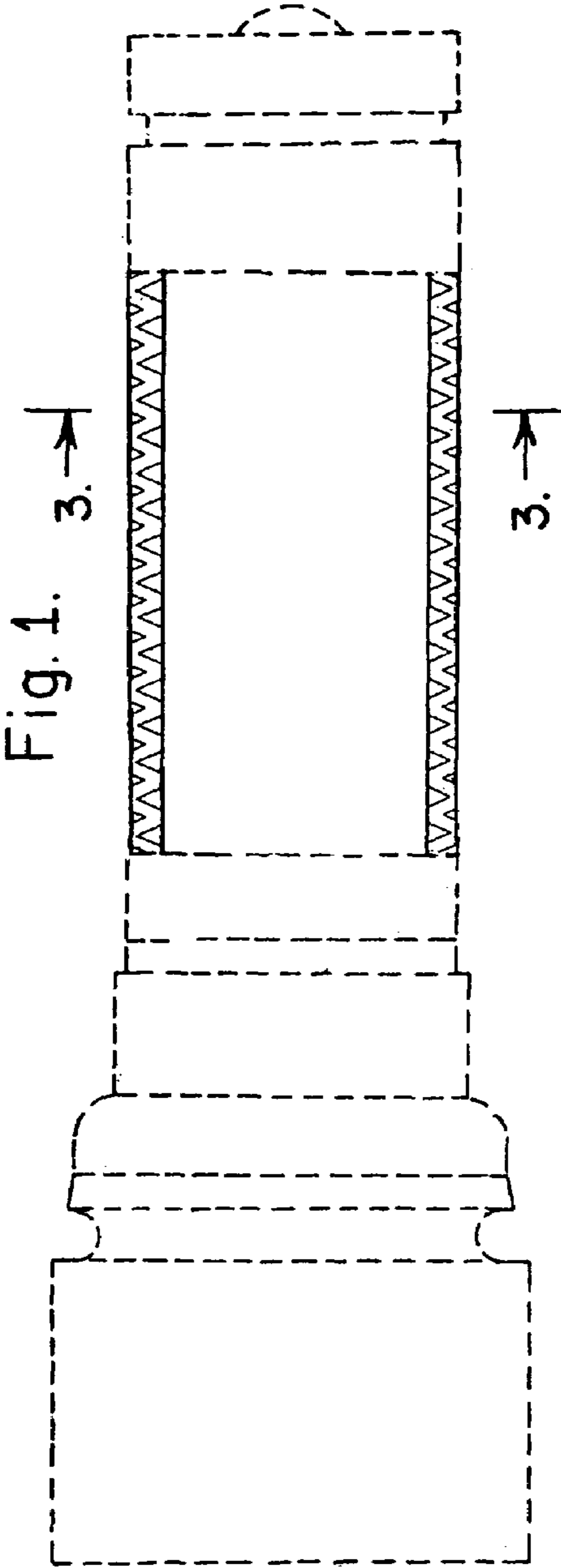


Fig. 3.