



US00D572853S

(12) **United States Design Patent**  
**Heine et al.**

(10) **Patent No.:** **US D572,853 S**  
(45) **Date of Patent:** **\*\* Jul. 8, 2008**

(54) **LAMP**

(75) Inventors: **Helmut Heine**, Diessen (DE); **Oliver Heine**, Herrsching (DE); **Dirk Schade**, Penzberg (DE); **Sebastian Duy**, Otterfing (DE)

(73) Assignee: **Heine Optotechnik GmbH & Co. KG**, Herrsching (DE)

(\*\*) Term: **14 Years**

(21) Appl. No.: **29/259,258**

(22) Filed: **May 5, 2006**

(30) **Foreign Application Priority Data**

Nov. 11, 2005 (EM) ..... 000438585-0001

(51) **LOC (8) Cl.** ..... **26-02**

(52) **U.S. Cl.** ..... **D26/39**

(58) **Field of Classification Search** ..... D26/37,  
D26/38, 39, 41, 42, 43, 46, 50, 51, 60, 89;  
362/157, 159, 183, 184, 201, 208, 84, 108,  
362/103, 105, 190, 804; 600/248, 249; D24/209,  
D24/210

See application file for complete search history.

(56) **References Cited**

**U.S. PATENT DOCUMENTS**

2,539,104 A \* 1/1951 Rodel ..... 600/248  
D232,119 S \* 7/1974 Kloots et al. .... D26/39  
D238,958 S \* 2/1976 Feinbloom ..... D26/39  
4,290,422 A \* 9/1981 Burton ..... 600/249

D266,192 S \* 9/1982 Feinbloom et al. .... D26/39  
D373,433 S \* 9/1996 Feinbloom ..... D26/39  
D406,371 S \* 3/1999 Van Der Bel ..... D26/39  
2006/0285316 A1 \* 12/2006 Tufenkjian et al. .... 362/105

**OTHER PUBLICATIONS**

Codman, Surgical Product Catalog, (Codman & Shurtleff, Inc., 1992) *Fiberoptics Headlights*, pp. F-5 thru F-7.\*  
*Heine SL 350 Kopfleuchte*, Heine Gesamtkatalog 2005, p. 87, printed in Germany in Nov. 2004.  
*Heine MD 1000 Fiber Optik Kopfleuchte*, Heine Gesamtkatalog 2005, p. 88, printed in Germany in Nov. 2004.  
*Procedure Headlight No. 49020*, Dental Health by Welch Allyn, 12 pages (see p. 9), printed in the USA in 2005.

\* cited by examiner

*Primary Examiner*—Ian Simmons  
*Assistant Examiner*—Carissa C Fitts

(74) *Attorney, Agent, or Firm*—Rothwell, Figg, Ernst & Manbeck P.C.

(57) **CLAIM**

The ornamental design of a lamp, as shown and described.

**DESCRIPTION**

FIG. 1 is a perspective view of a lamp in accordance with the present invention.

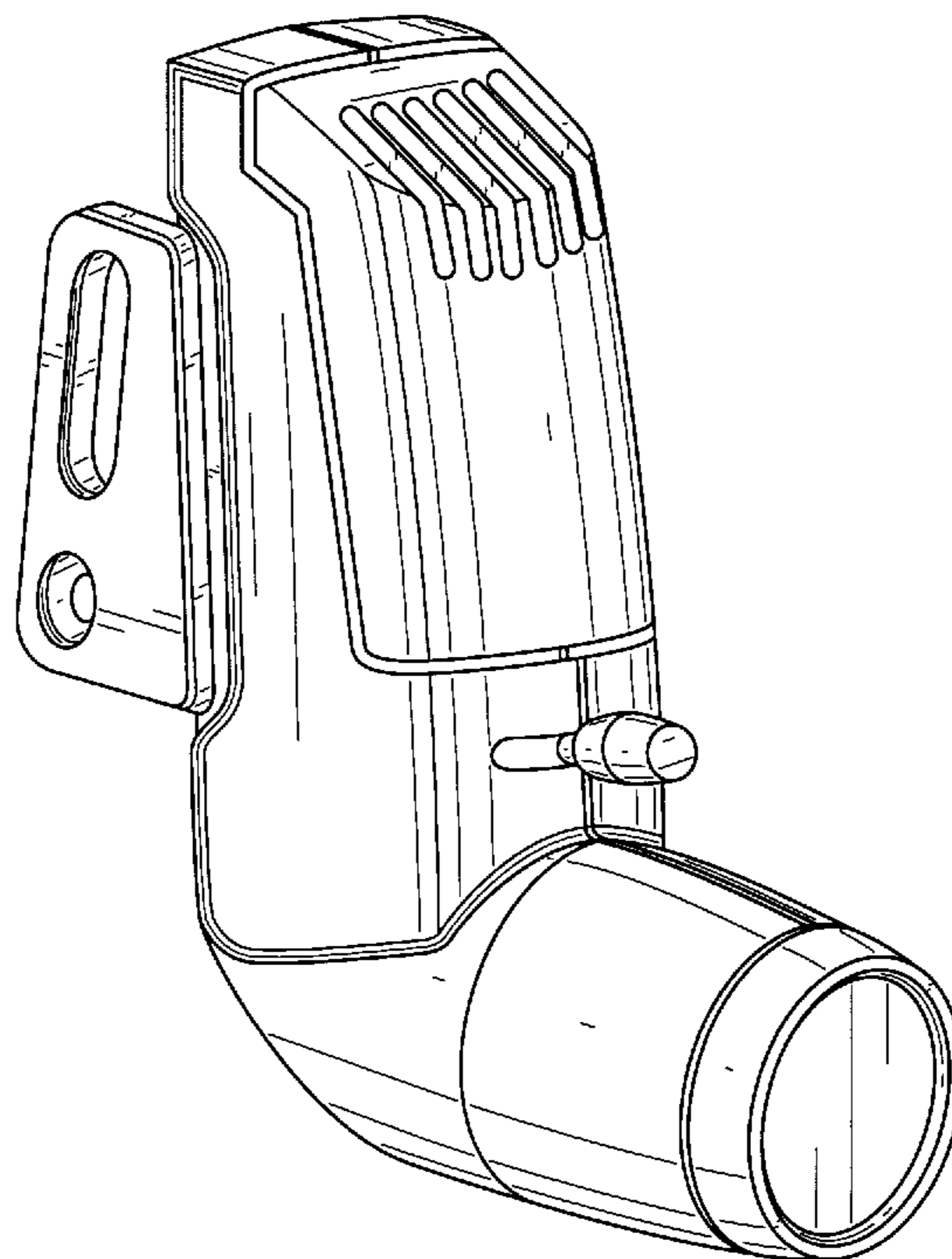
FIG. 2 is a front elevational view of the lamp of FIG. 1.

FIG. 3 is a side elevational view of the lamp of FIG. 1.

FIG. 4 is a rear elevational view of the lamp of FIG. 1; and,

FIG. 5 is a top elevational view of the lamp of FIG. 1.

**1 Claim, 5 Drawing Sheets**



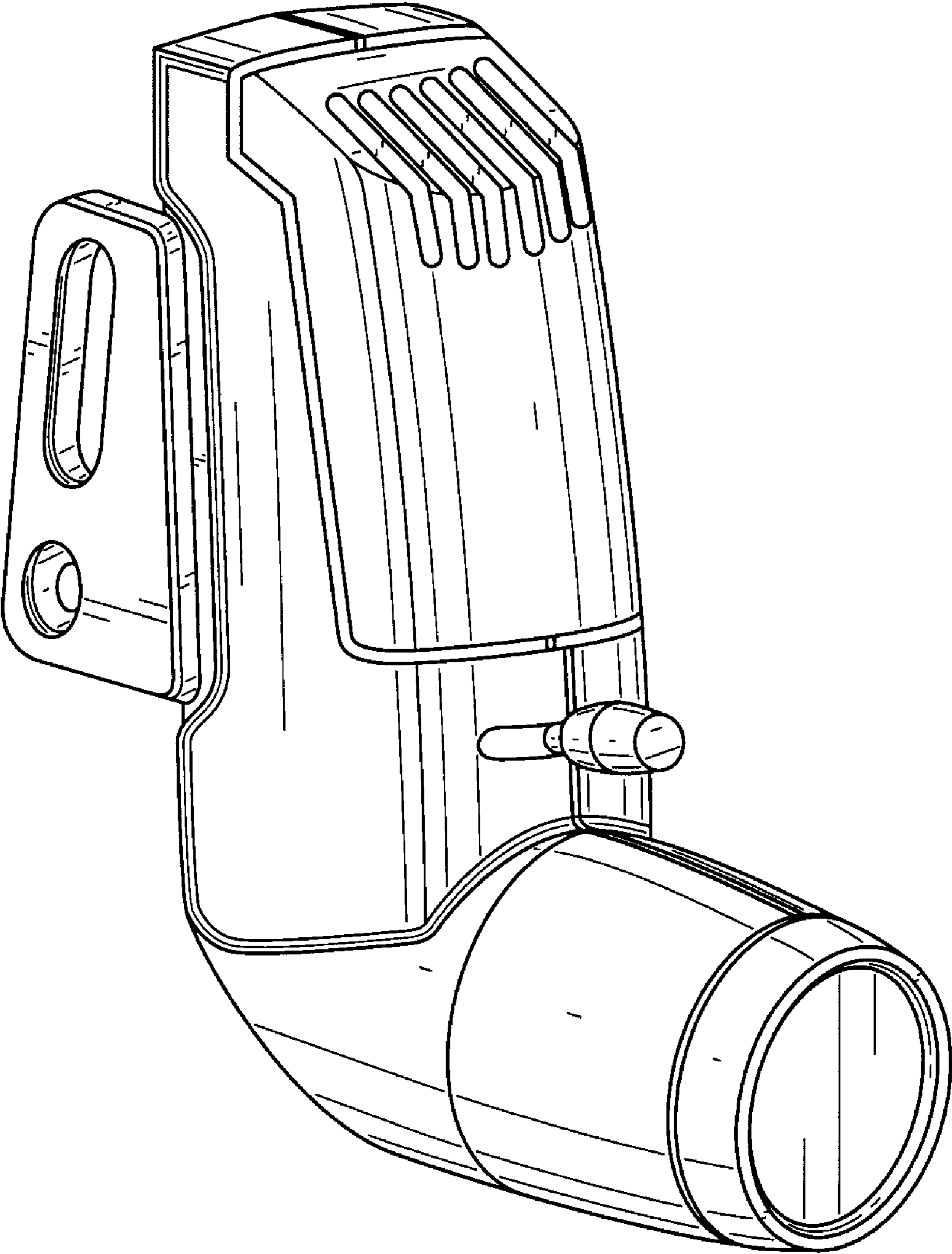


FIG. 1

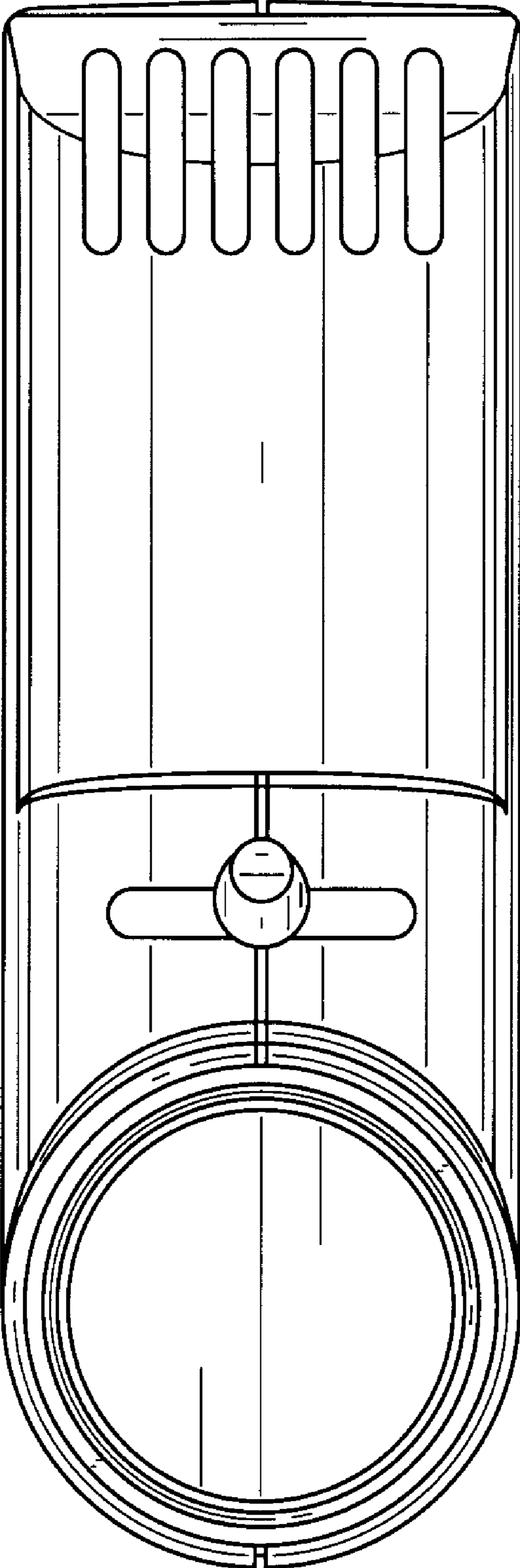


FIG. 2

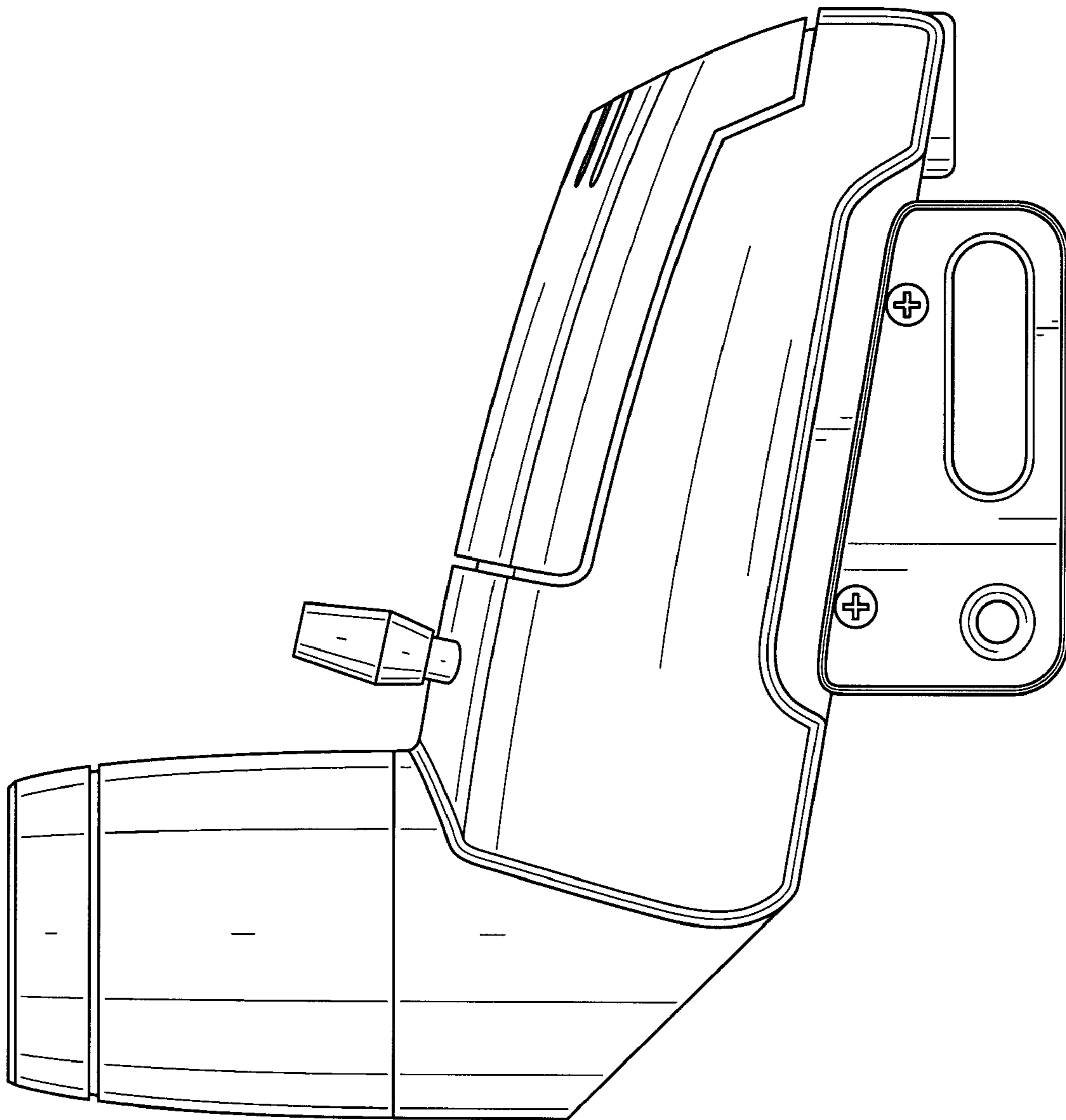


FIG. 3

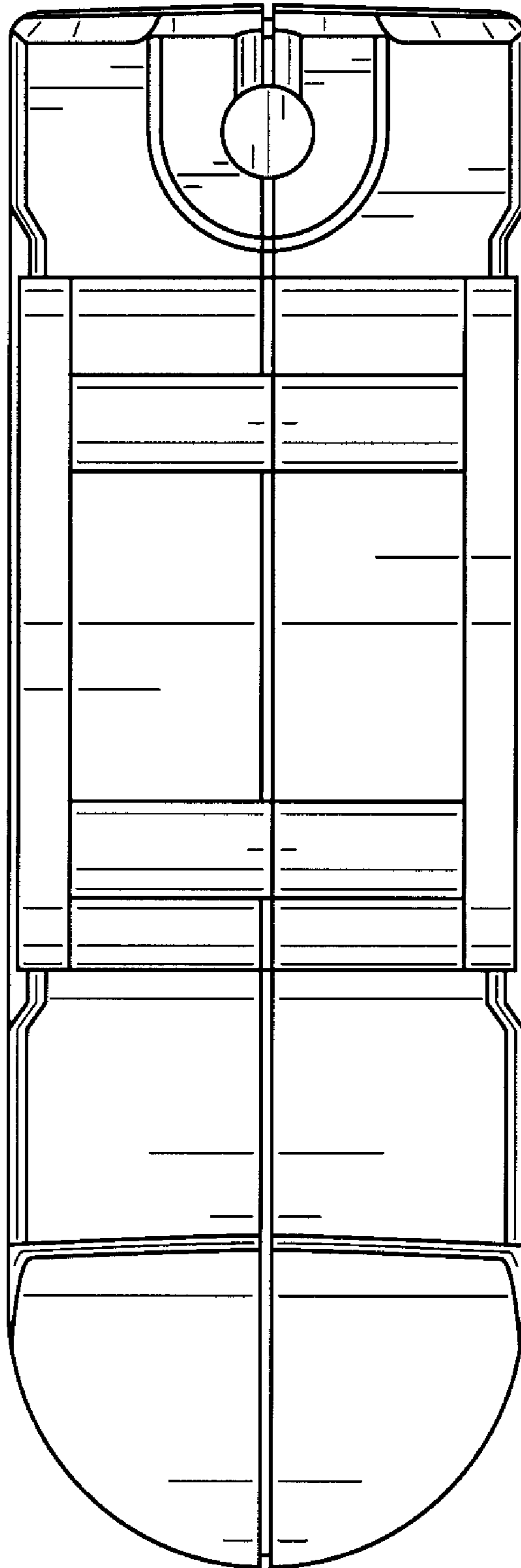


FIG. 4

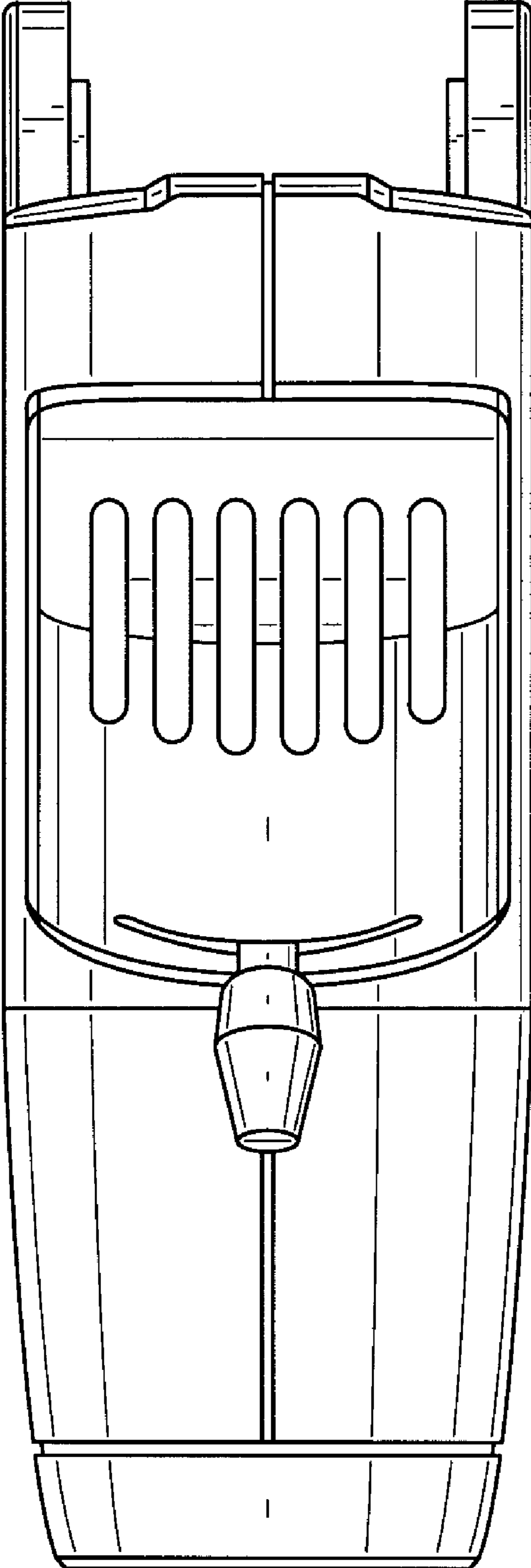


FIG. 5