



US00D572843S

(12) **United States Design Patent**
Berry et al.

(10) **Patent No.:** **US D572,843 S**
(45) **Date of Patent:** **** Jul. 8, 2008**

(54) **PHOTOVOLTAIC INTERLOCKING ROOFTILE**

2007/0006544 A1* 1/2007 Washburn 52/588.1
2007/0094980 A1* 5/2007 McGiven et al. 52/578

(75) Inventors: **Martyn John Charles Berry**,
Waterlooville (GB); **Daniel Gower Davies**,
Bath (GB)

* cited by examiner

Primary Examiner—Catherine R Oliver
(74) *Attorney, Agent, or Firm*—Fay Sharpe LLP

(73) Assignee: **Solar Century Holdings Ltd.**, London
(GB)

(57) **CLAIM**

The ornamental design for a photovoltaic interlocking roof-
tile, as shown and described.

(**) Term: **14 Years**

(21) Appl. No.: **29/263,530**

DESCRIPTION

(22) Filed: **Jul. 25, 2006**

FIG. 1 is a top plan view of a photovoltaic interlocking roof-
tile showing our new design;

(30) **Foreign Application Priority Data**

Apr. 13, 2006 (GB) 3024520

FIG. 2 is a left end elevational view thereof;

(51) **LOC (8) Cl.** **25-01**

(52) **U.S. Cl.** **D25/139**

(58) **Field of Classification Search** D25/139,
D25/138, 141, 143, 157; 52/314, 179, 177,
52/181, 574, 577-579, 588.1, 518-519, 523,
52/525, 554-555, 741.1

FIG. 3 is a right end elevational view thereof;

FIG. 4 is a front elevational view thereof;

FIG. 5 is a bottom plan view thereof;

FIG. 6 is a cross sectional view of FIG. 7 shown along line
6-6;

FIG. 7 is a cross sectional view of FIG. 6 shown along line
7-7;

See application file for complete search history.

FIG. 8 is a top perspective view thereof;

(56) **References Cited**

U.S. PATENT DOCUMENTS

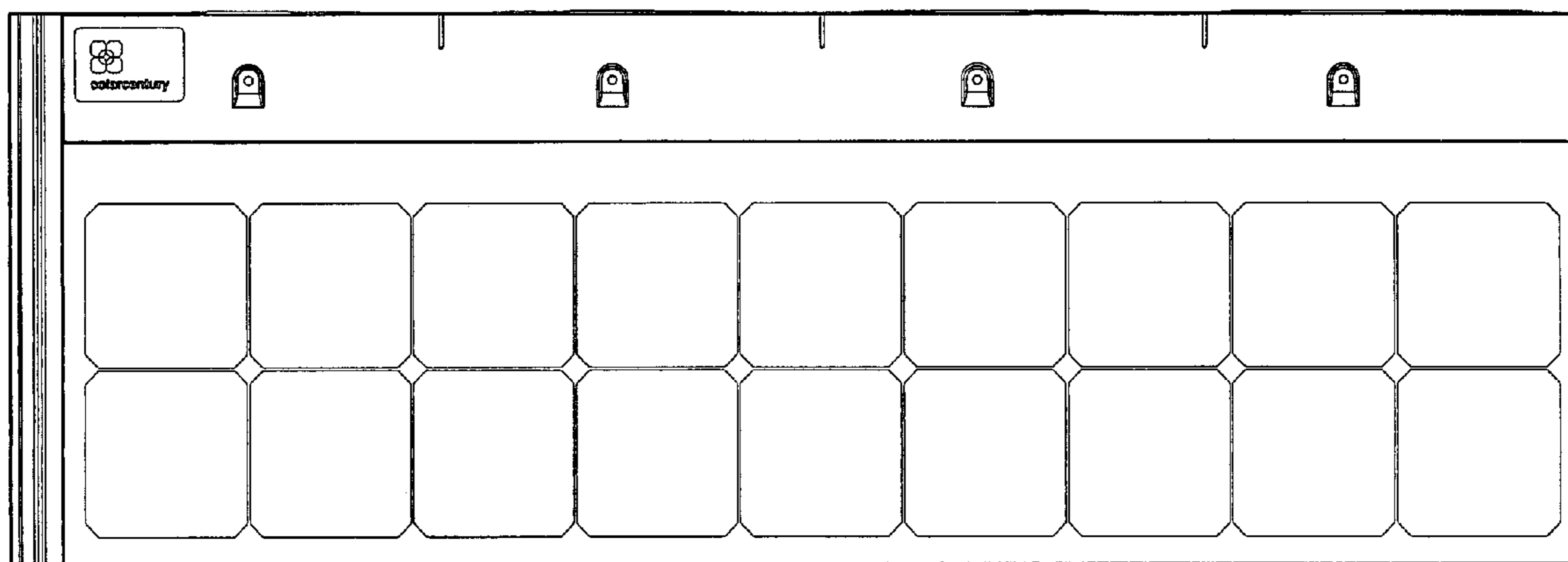
5,392,583 A * 2/1995 Gregory 52/741.1
D372,545 S * 8/1996 Schultz D25/138
D449,897 S * 10/2001 Croft D25/141
D481,138 S * 10/2003 Forster et al. D25/138
D491,284 S * 6/2004 Kang D25/138
D525,373 S * 7/2006 Reisman D25/157

FIG. 9 is a bottom perspective view thereof;

FIG. 10 is a top perspective view of a second embodiment of
a photovoltaic interlocking roof tile showing our new design;
and,

FIG. 11 is a top perspective view of a third embodiment of a
photovoltaic interlocking roof tile showing our new design.

1 Claim, 8 Drawing Sheets



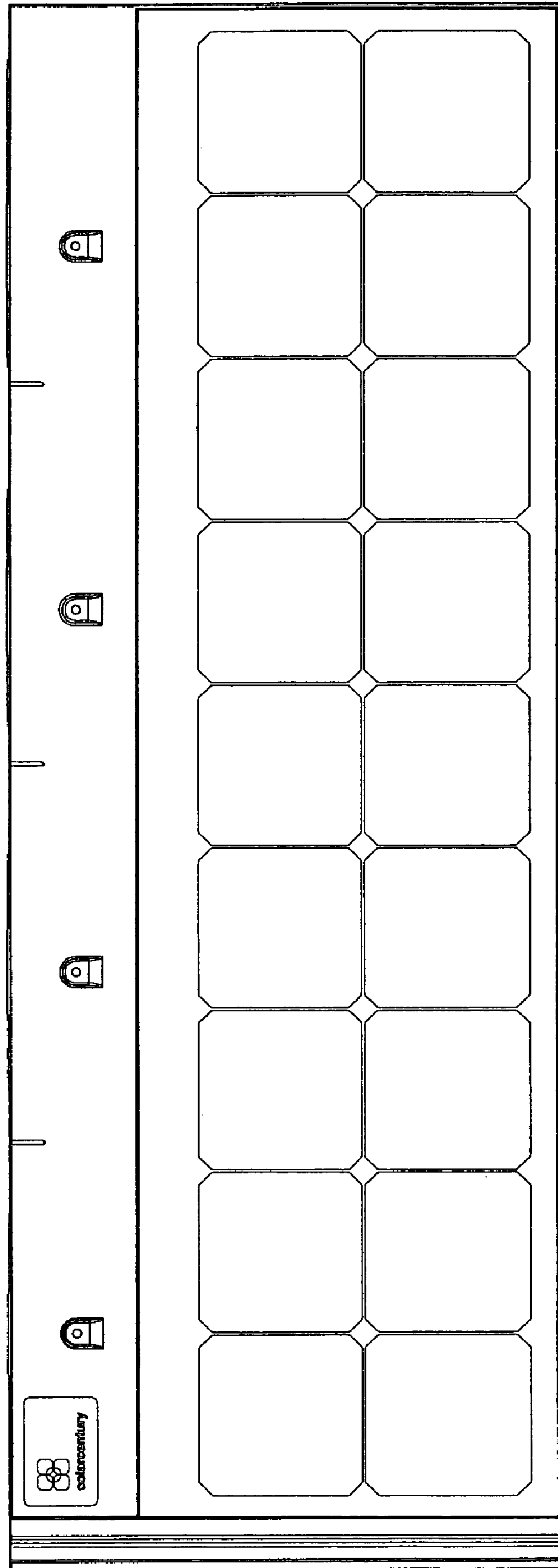


FIG. 1

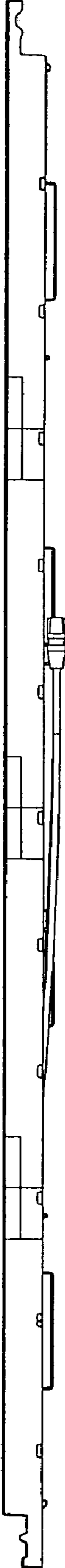
FIG. 2



FIG. 3



FIG. 4



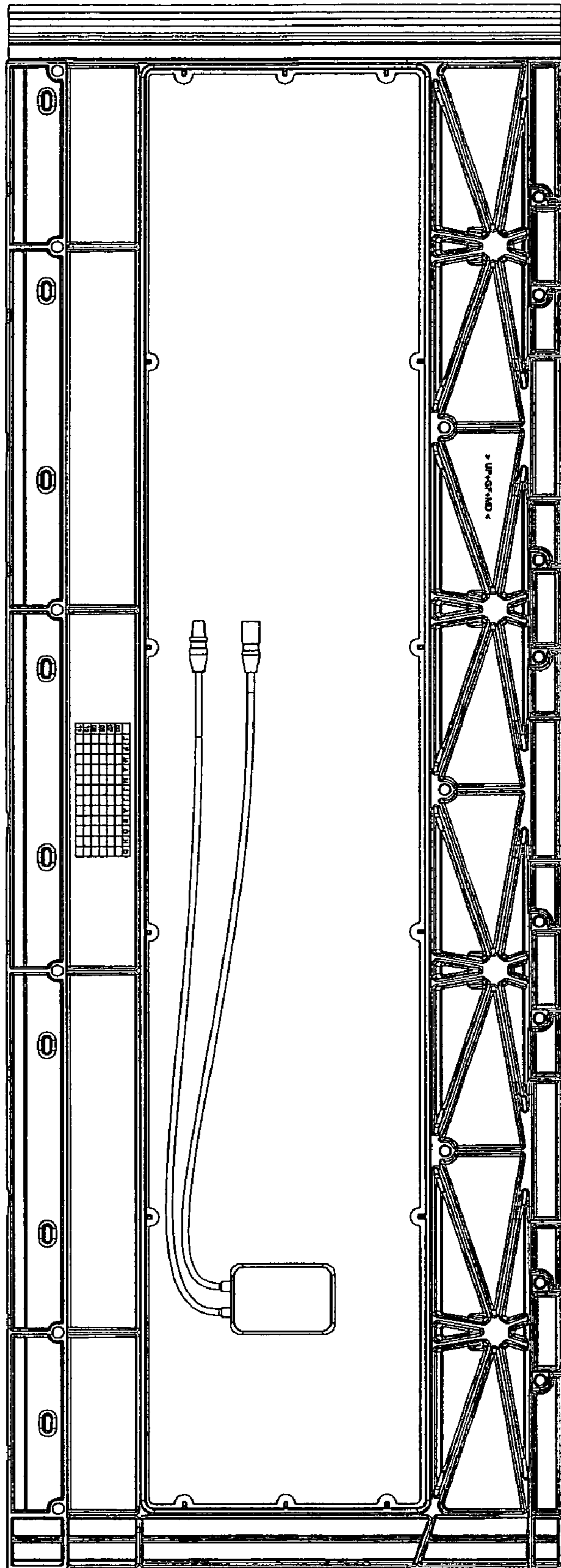


FIG. 5

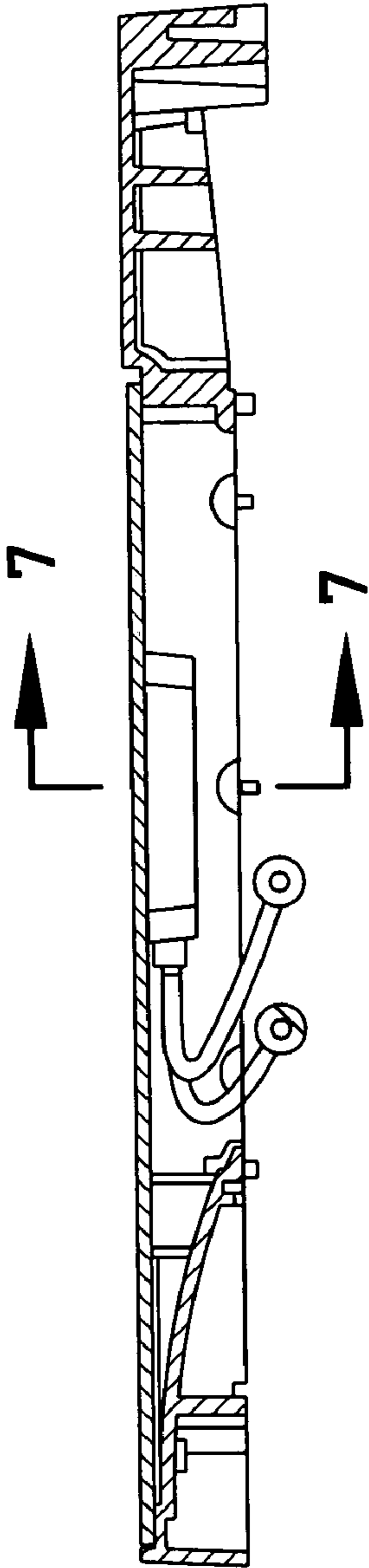


FIG. 6

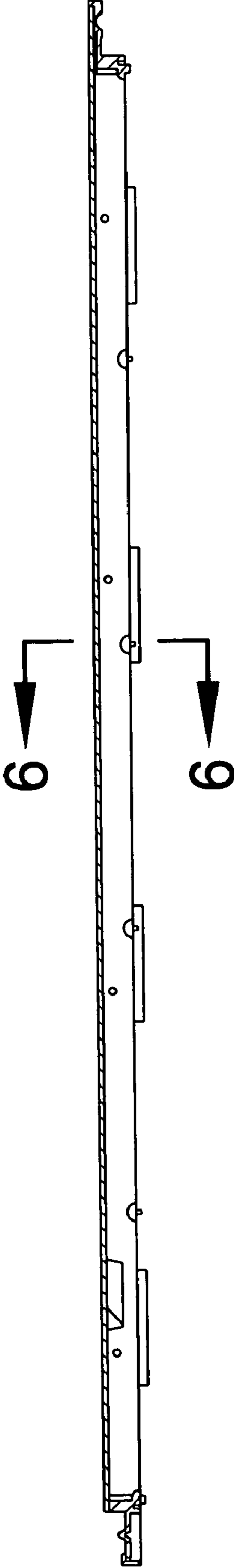


FIG. 7

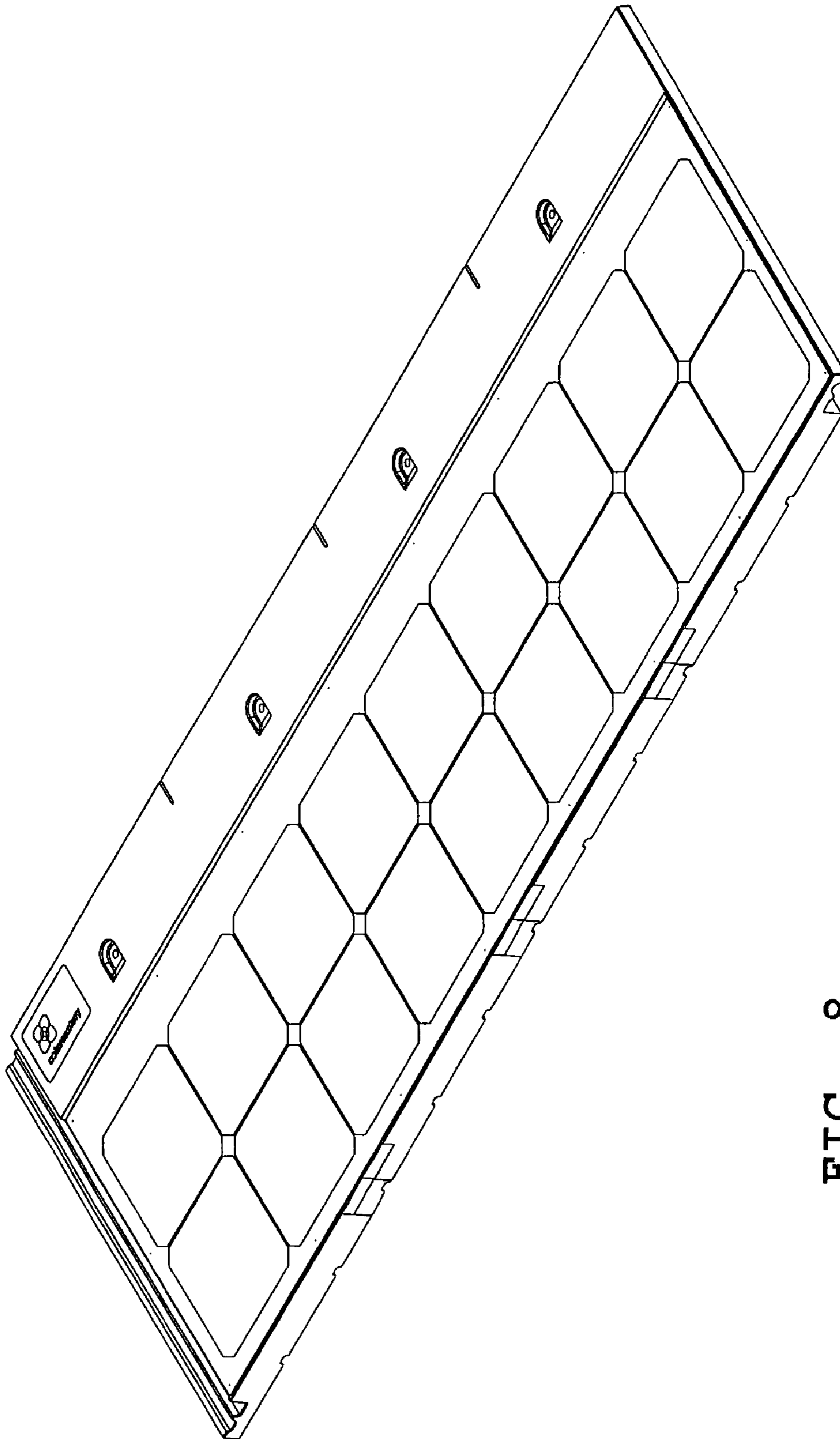


FIG. 8

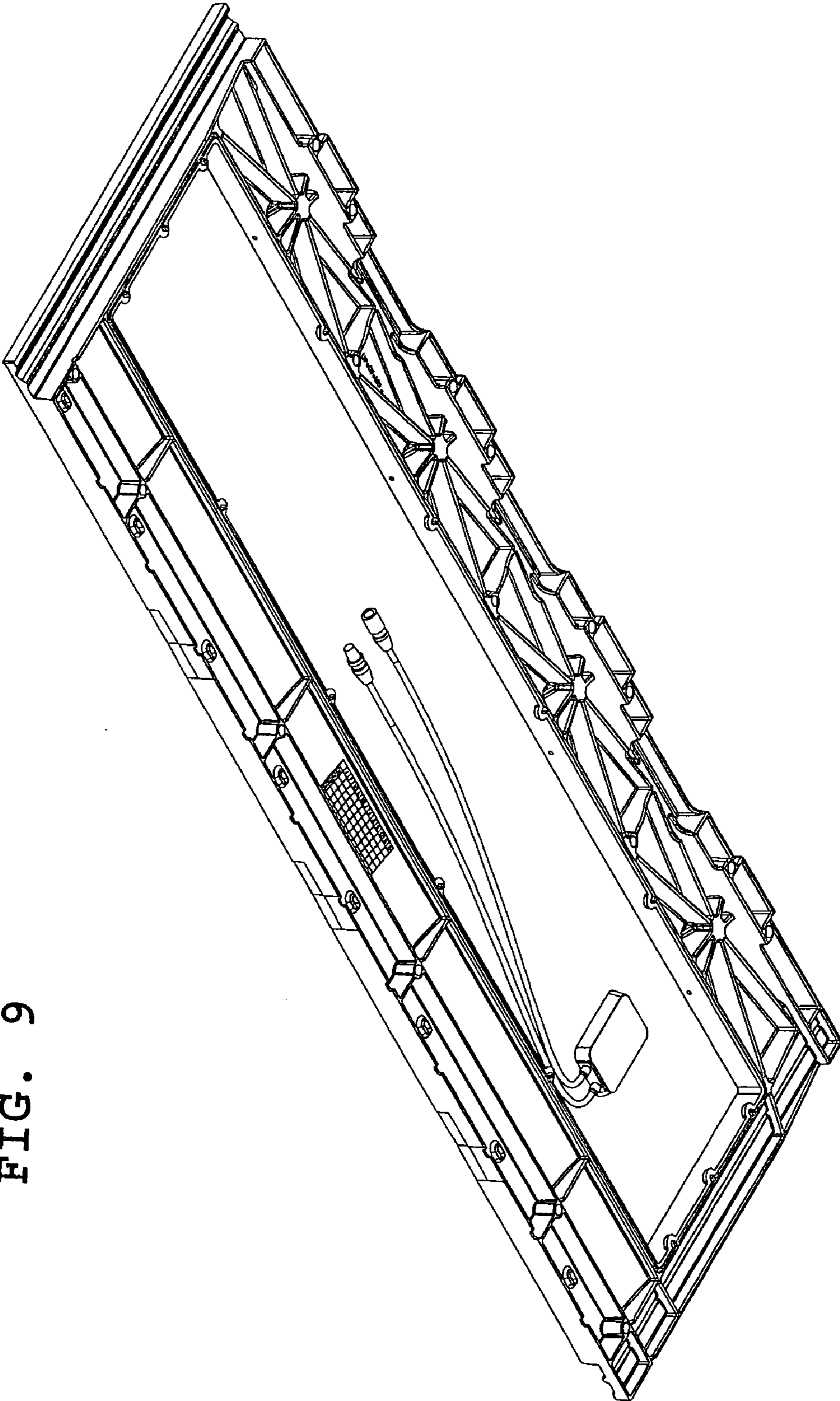


FIG. 9

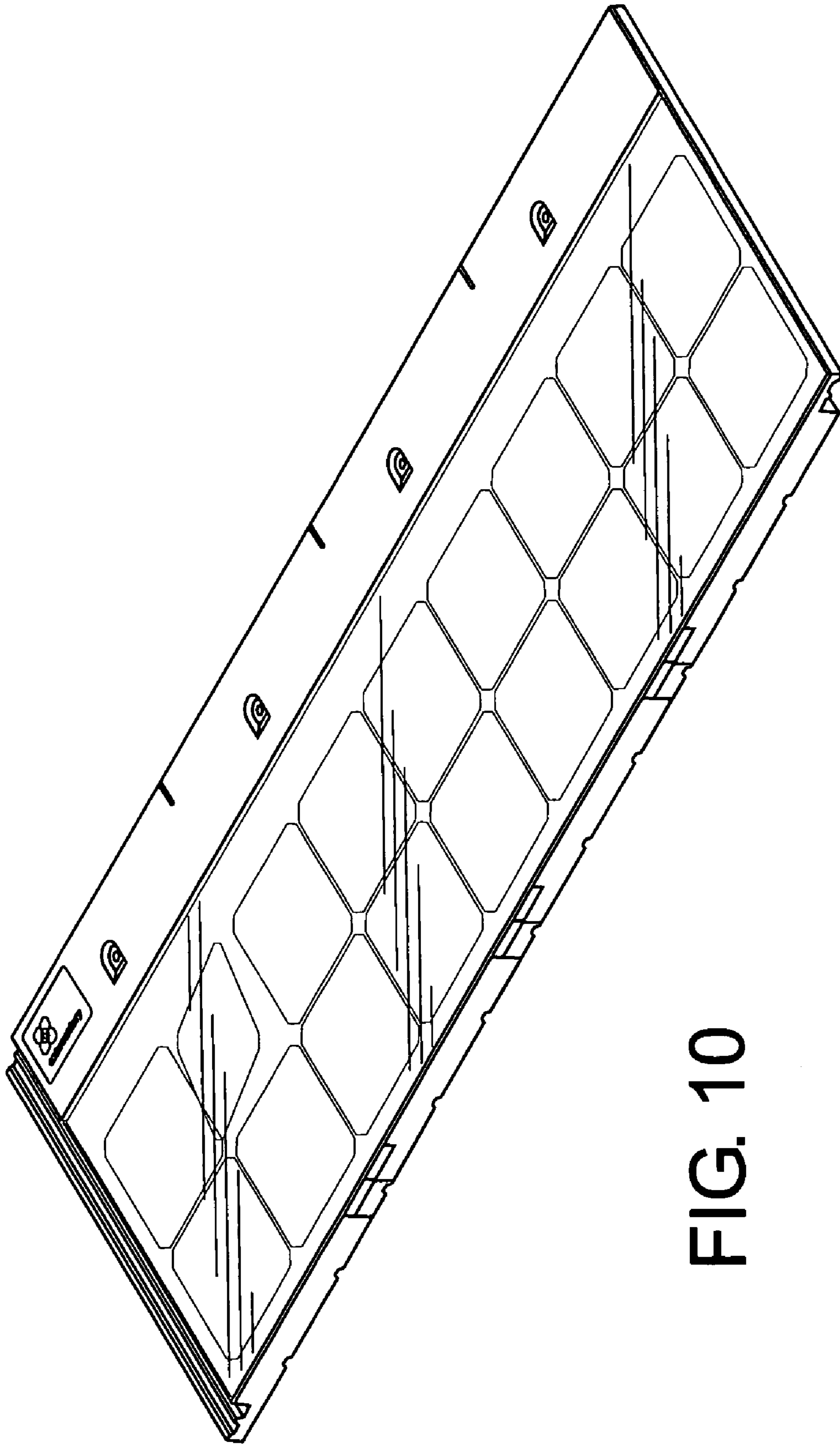


FIG. 10

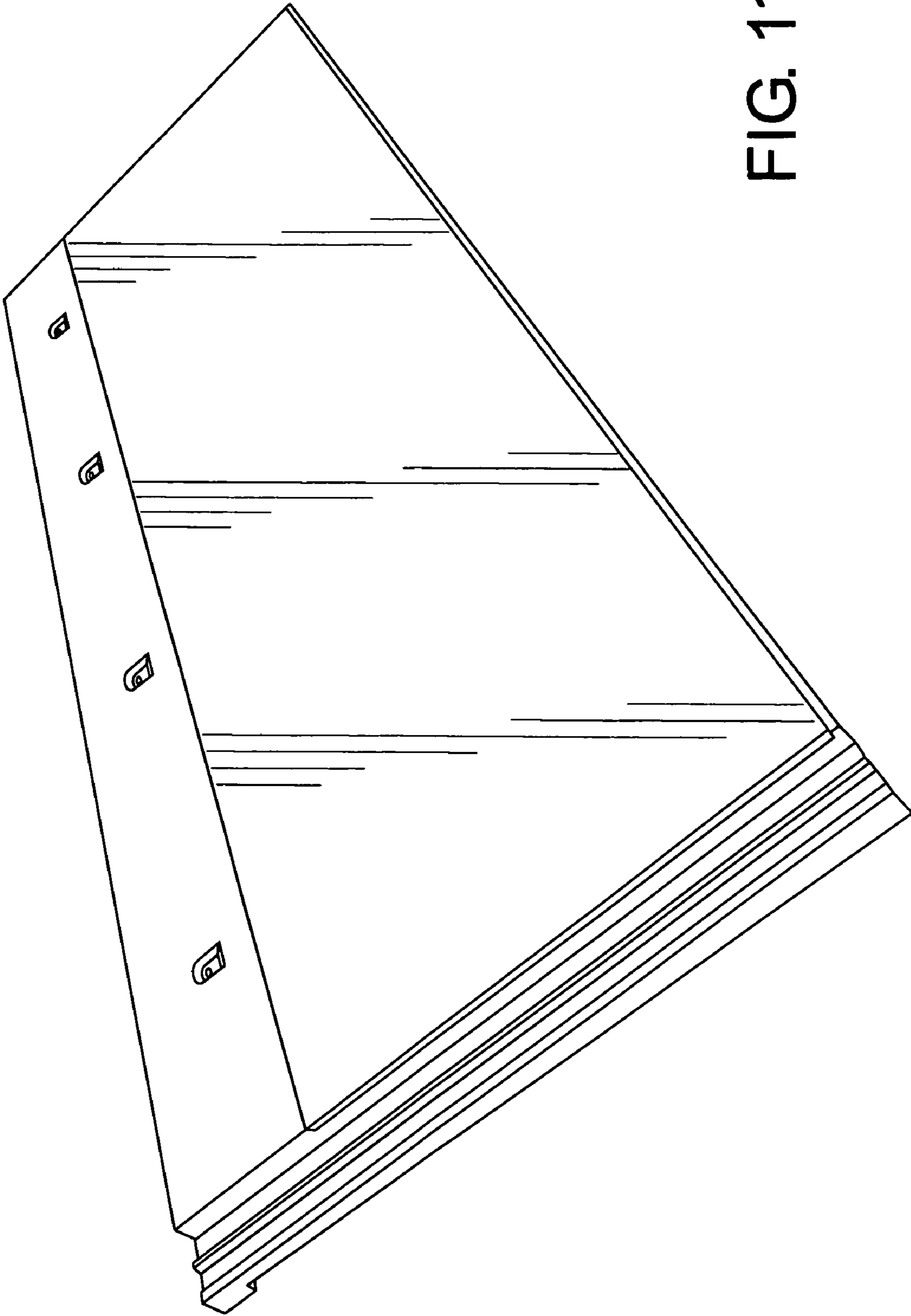


FIG. 11