



US00D572842S

(12) **United States Design Patent**  
**Berry et al.**

(10) **Patent No.:** **US D572,842 S**  
(45) **Date of Patent:** **\*\* Jul. 8, 2008**

(54) **SOLAR HOT WATER INTERLOCKING ROOFTILE**

(75) Inventors: **Martyn John Charles Berry**,  
Waterlooville (GB); **Shay Donald Brazier**,  
London (GB); **Ian Jonathan Kenyon**,  
London (GB); **Daniel Gower Davies**,  
Bath (GB)

(73) Assignee: **Solar Century Holdings Ltd.**,  
London (GB)

(\*\*) Term: **14 Years**

(21) Appl. No.: **29/263,529**

(22) Filed: **Jul. 25, 2006**

(30) **Foreign Application Priority Data**

Mar. 8, 2006 (GB) ..... 3024160

(51) **LOC (8) Cl.** ..... **25-01**

(52) **U.S. Cl.** ..... **D25/139**

(58) **Field of Classification Search** ..... D25/139,  
D25/138, 141, 143, 157; 52/314, 179, 177,  
52/181, 574, 577-579, 588.1, 518-519, 523,  
52/525, 554-555, 741.1

See application file for complete search history.

(56) **References Cited**

**U.S. PATENT DOCUMENTS**

D372,545 S \* 8/1996 Schultz ..... D25/138  
D449,897 S \* 10/2001 Croft ..... D25/141  
D481,138 S \* 10/2003 Forster et al. .... D25/138

D491,284 S \* 6/2004 Kang ..... D25/138  
D525,373 S \* 7/2006 Reisman ..... D25/157  
2007/0006544 A1 \* 1/2007 Washburn ..... 52/588.1  
2007/0094980 A1 \* 5/2007 McGivern et al. .... 52/578

\* cited by examiner

*Primary Examiner*—Catherine R Oliver  
(74) *Attorney, Agent, or Firm*—Fay Sharpe LLP

(57) **CLAIM**

The ornamental design for a solar hot water interlocking roof tile, as shown and described.

**DESCRIPTION**

FIG. 1 is a top plan view of a solar hot water interlocking roof tile showing our new design;

FIG. 2 is a bottom plan view thereof;

FIG. 3 is a left end elevational view thereof;

FIG. 4 is a right end elevational view thereof;

FIG. 5 is a front elevational view thereof;

FIG. 6 is a cross sectional view of FIG. 7 shown along line 6-6;

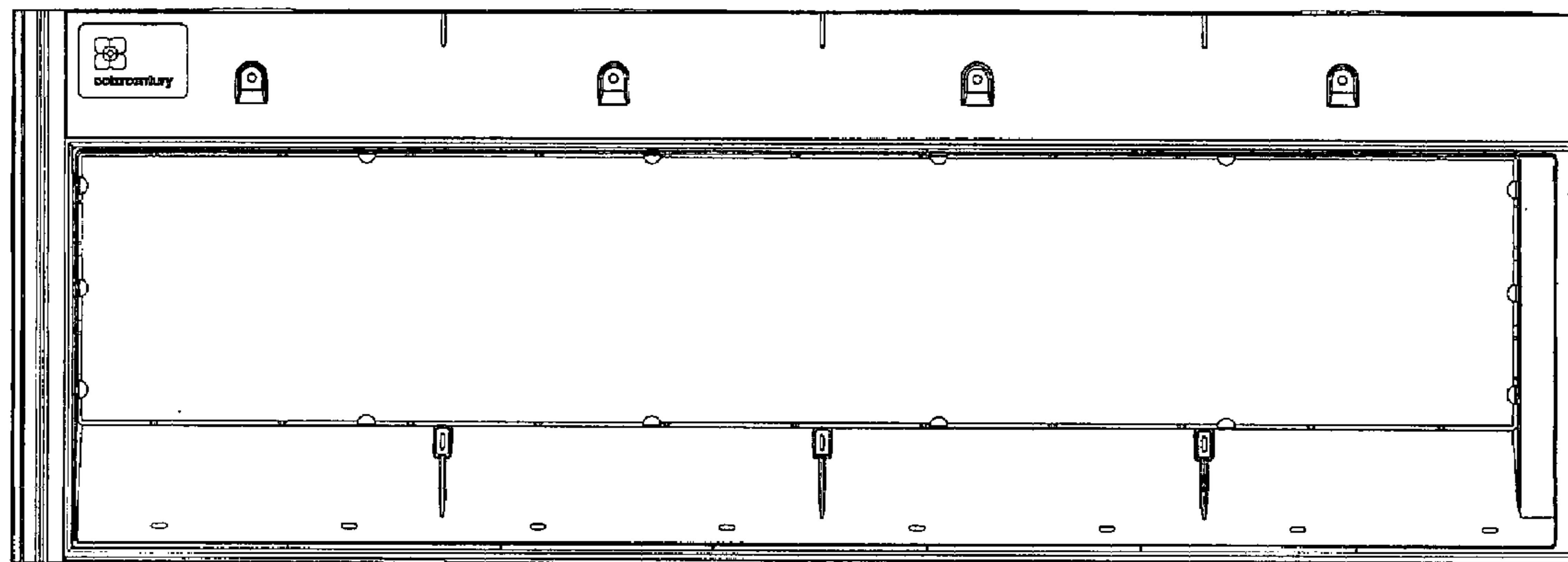
FIG. 7 is a cross sectional view of FIG. 6 shown along line 7-7;

FIG. 8 is a top perspective view thereof;

FIG. 9 is a bottom perspective view thereof; and,

FIG. 10 is a top perspective view of another embodiment of a solar hot water interlocking roof tile showing our new design.

**1 Claim, 7 Drawing Sheets**



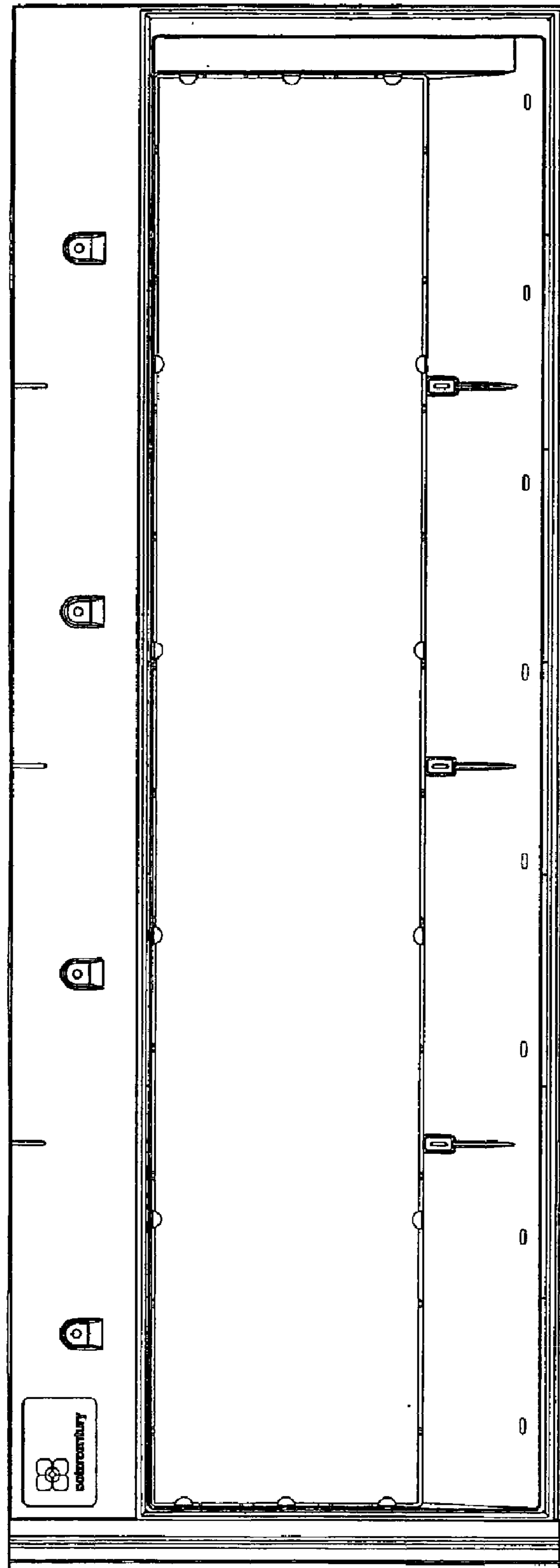


FIG. 1

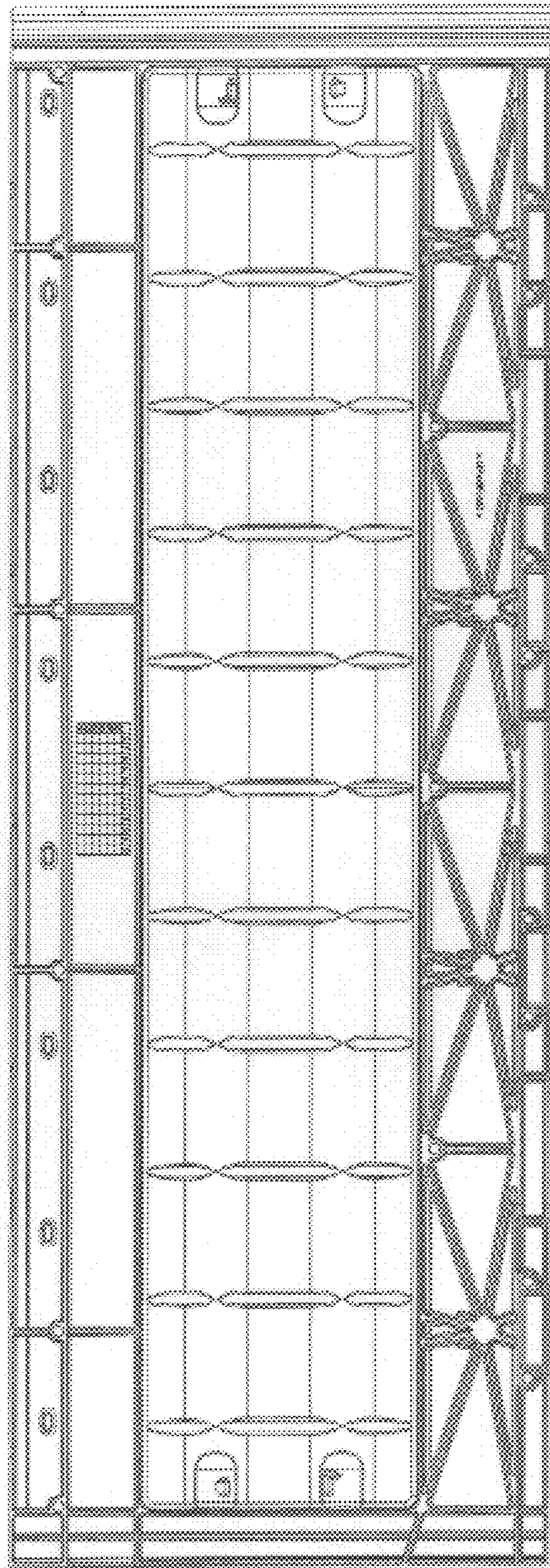


FIG. 2

FIG. 3

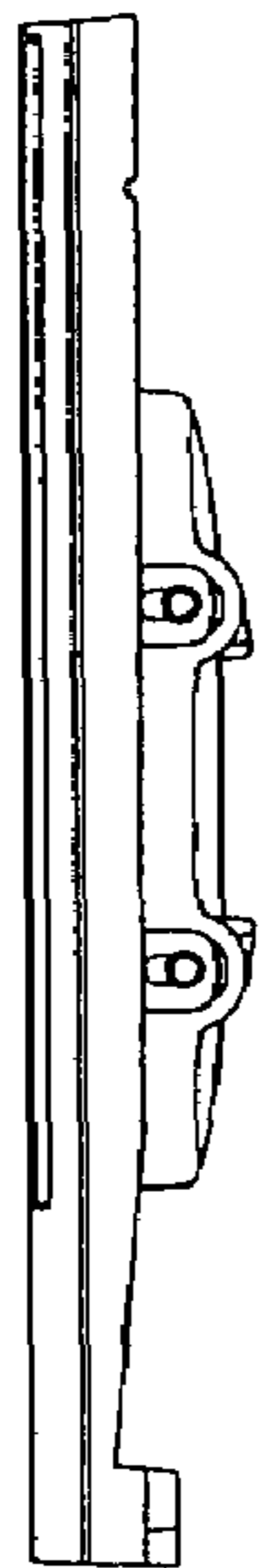


FIG. 4

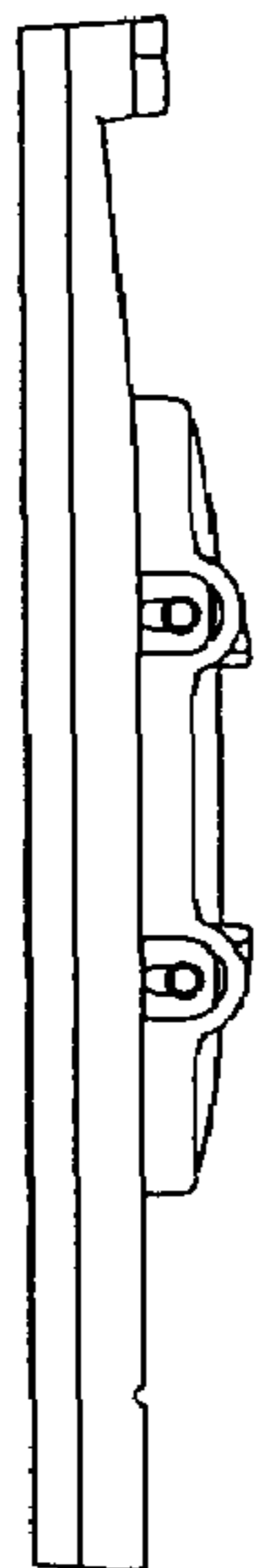
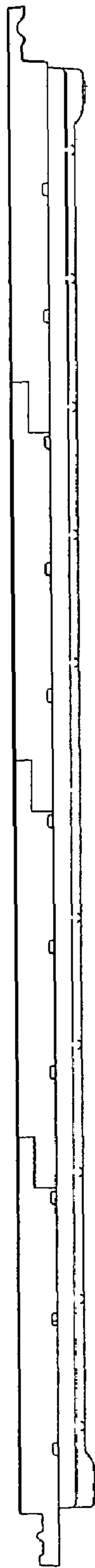


FIG. 5



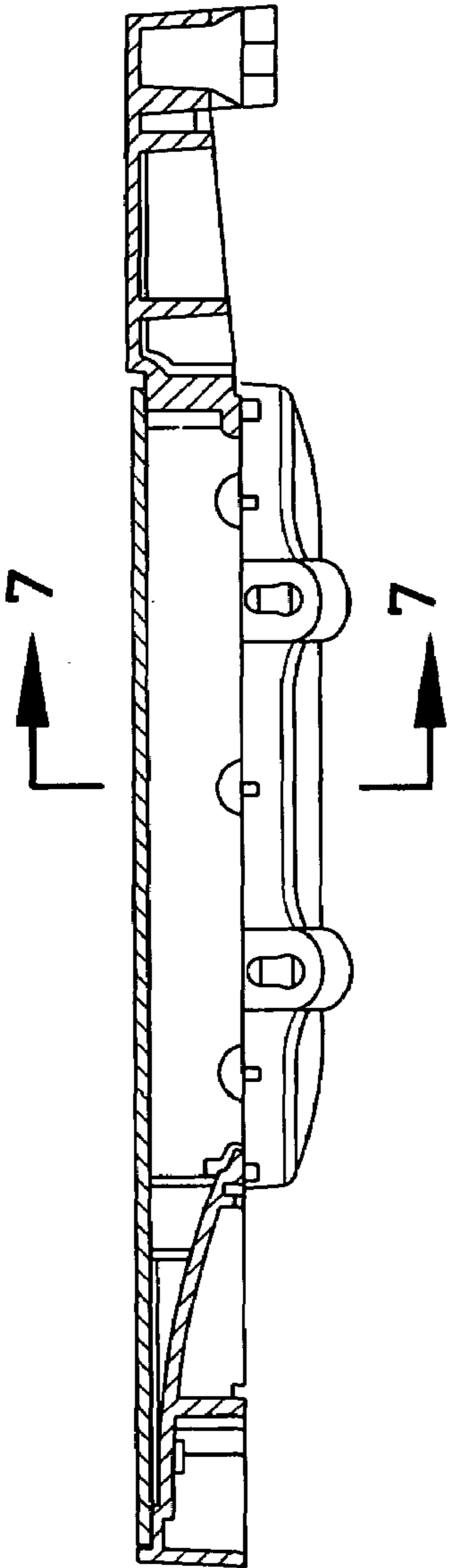


FIG. 6

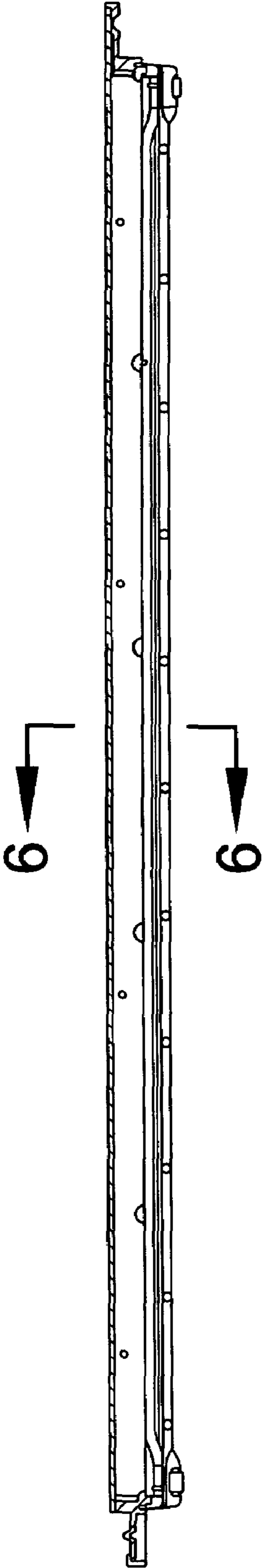


FIG. 7

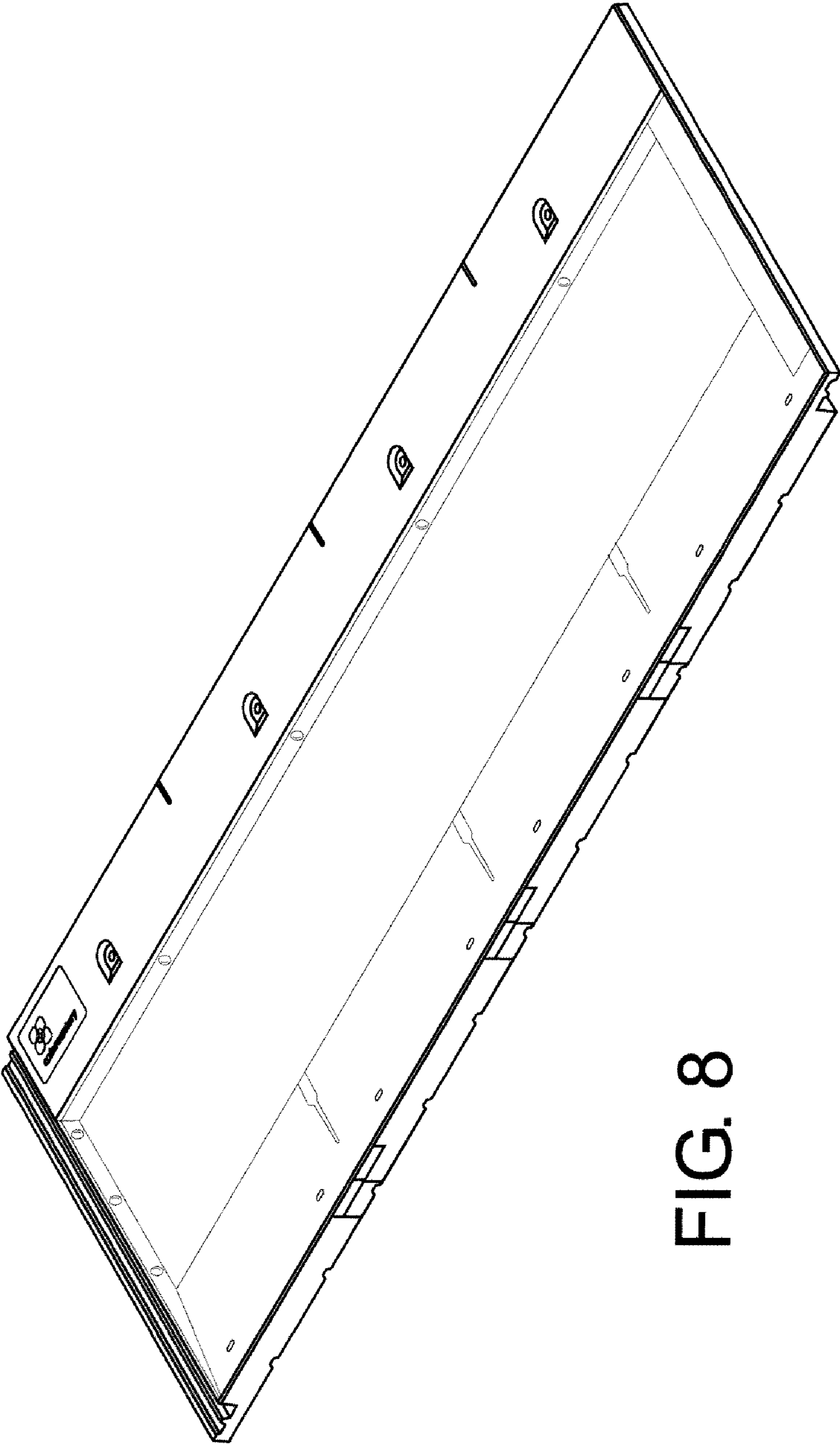


FIG. 8

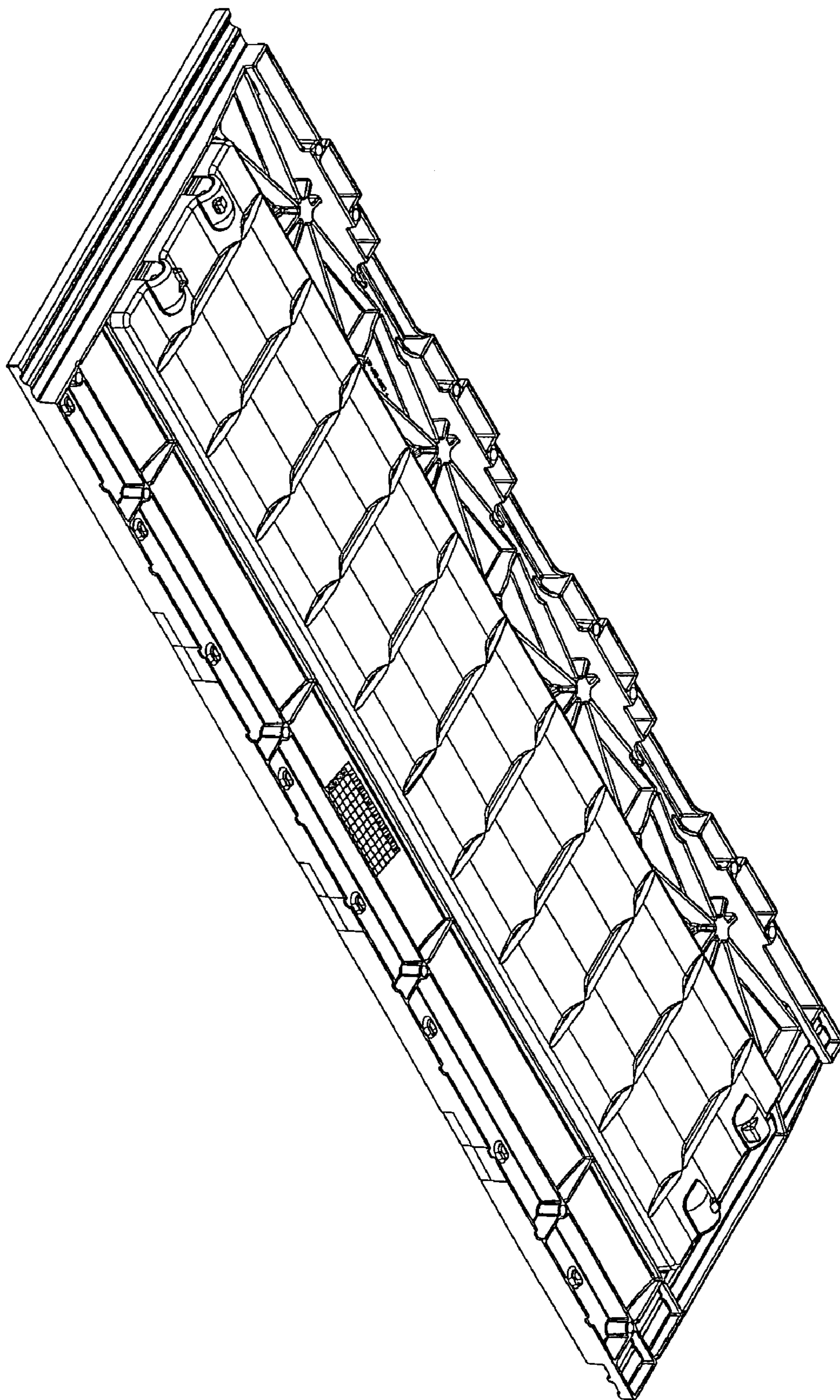


FIG. 9

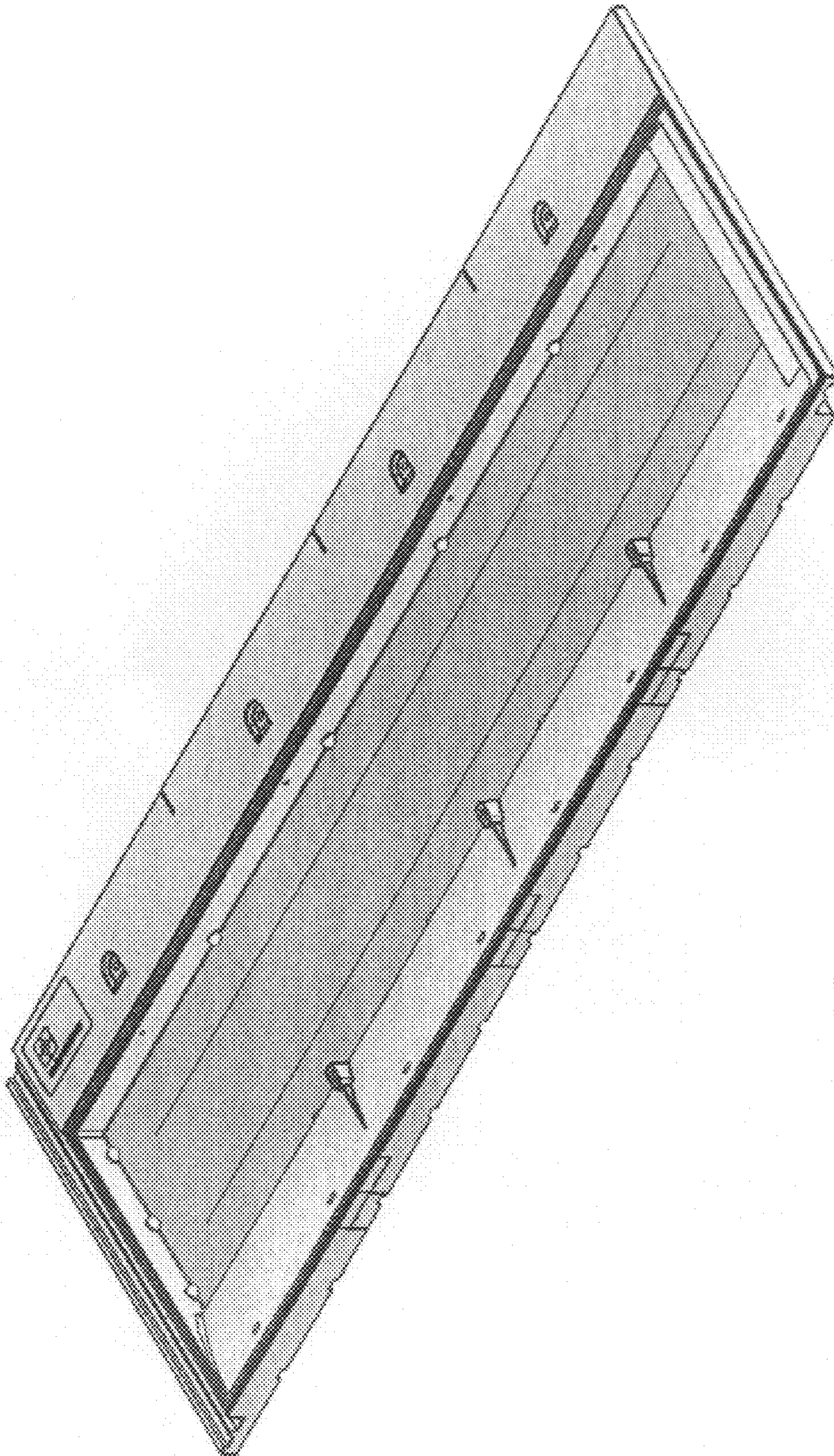


FIG. 10