



US00D572841S

(12) **United States Design Patent**
Waters et al.

(10) **Patent No.:** **US D572,841 S**
(45) **Date of Patent:** **** Jul. 8, 2008**

(54) **SKYLIGHT ROLLED SASH GLAZING LINEAL**

(75) Inventors: **Michael James Waters**, Greenwood, SC (US); **James Eric Brinton**, Greenwood, SC (US)

(73) Assignee: **VKR Holding A/S**, Hoersholm (DK)

(**) Term: **14 Years**

(21) Appl. No.: **29/295,755**

(22) Filed: **Oct. 5, 2007**

(51) **LOC (8) Cl.** **25-01**

(52) **U.S. Cl.** **D25/124**

(58) **Field of Classification Search** D25/119, D25/124; 52/200, 204.1, 204.5, 656.6
See application file for complete search history.

(56) **References Cited**

U.S. PATENT DOCUMENTS

4,750,302 A * 6/1988 Bechtold 52/72
D333,353 S * 2/1993 Guhl et al. D25/60

D335,712 S * 5/1993 Cole D25/124
D345,428 S * 3/1994 Bancroft D25/119
D405,194 S * 2/1999 Kenkel D25/119
5,913,785 A * 6/1999 Moller et al. 52/200
D416,626 S * 11/1999 Moller et al. D25/60

* cited by examiner

Primary Examiner—Doris Clark

(74) *Attorney, Agent, or Firm*—Turner Padgett Graham & Laney, P.A.

(57) **CLAIM**

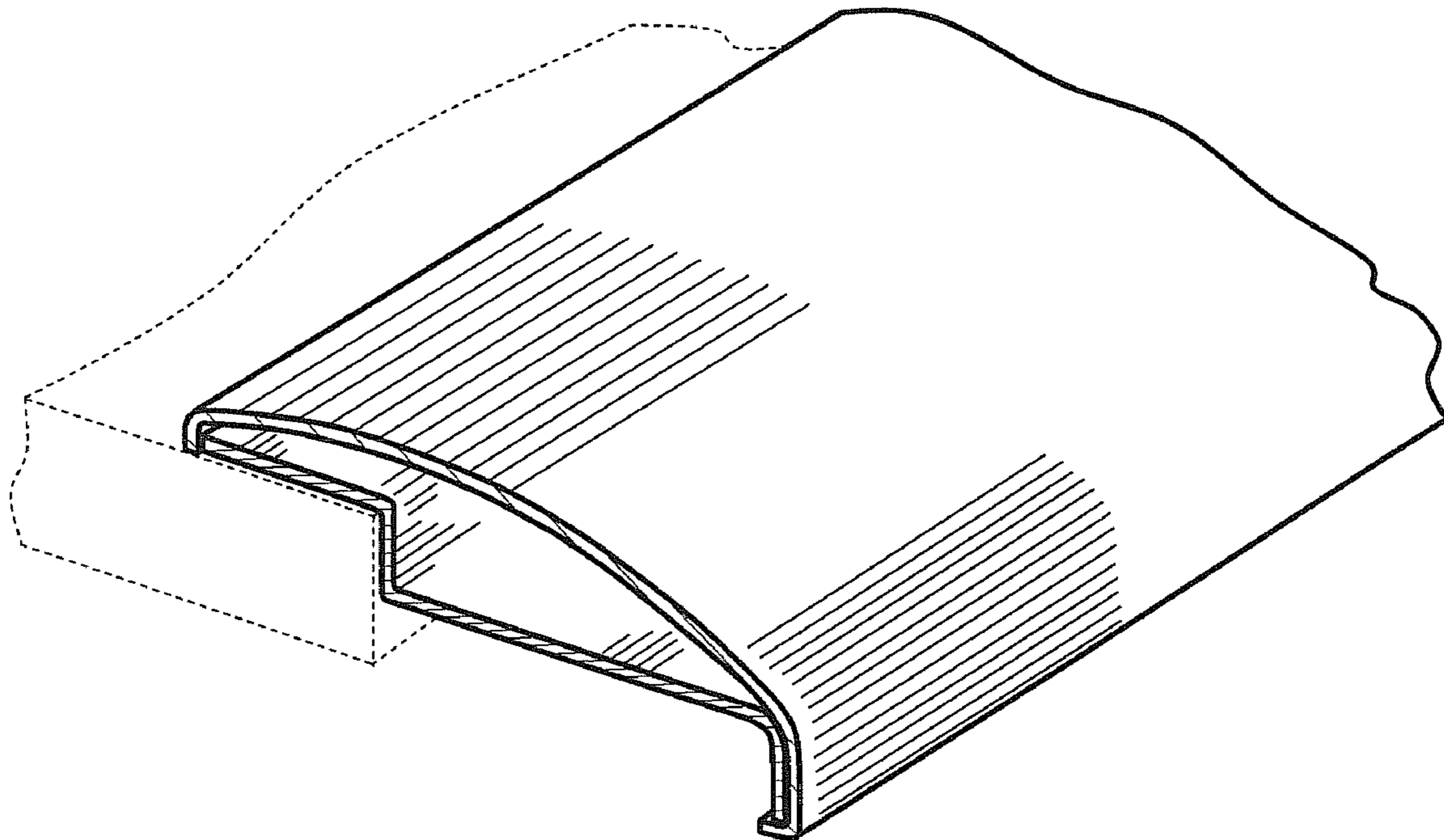
We claim the ornamental design for a skylight rolled sash glazing lineal, as shown and described.

DESCRIPTION

FIG. 1 is a perspective view of the skylight rolled sash glazing lineal, with a glazing panel depicted in phantom that forms no part of the claimed design; and,

FIG. 2 is an end view of the skylight rolled sash glazing lineal. The claimed design is broken on the end to indicate indeterminate length.

1 Claim, 2 Drawing Sheets



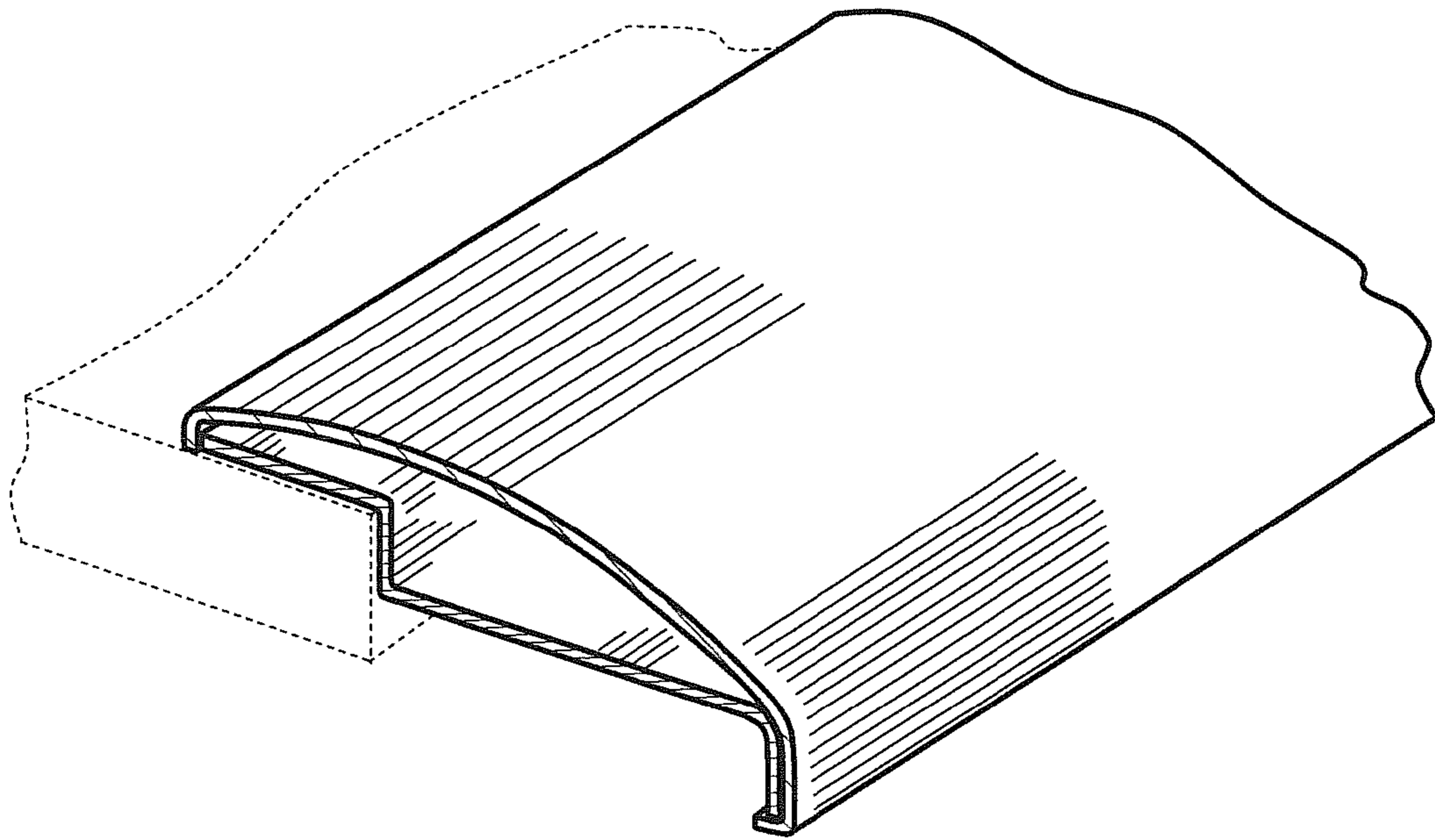


Fig. 1

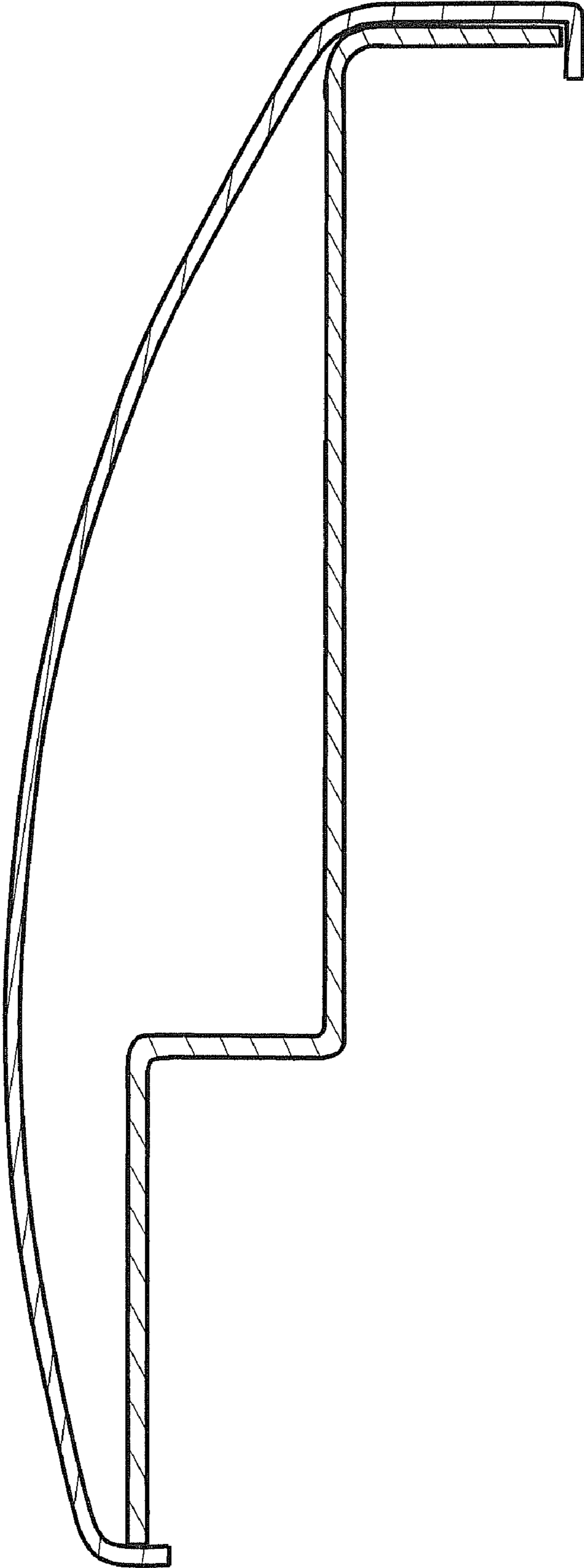


Fig. 2