



US00D572838S

(12) **United States Design Patent**  
**Franson**

(10) **Patent No.:** **US D572,838 S**  
(45) **Date of Patent:** **\*\* Jul. 8, 2008**

(54) **WINDOW COMPONENT EXTRUSION**

(75) Inventor: **Jeffrey R. Franson**, Maple Valley, WA (US)

(73) Assignee: **Mikron Industries, Inc.**, Kent, WA (US)

(\*\*) Term: **14 Years**

(21) Appl. No.: **29/288,947**

(22) Filed: **Jun. 26, 2007**

(51) **LOC (8) Cl.** ..... **25-01**

(52) **U.S. Cl.** ..... **D25/124**

(58) **Field of Classification Search** ..... D25/121,  
D25/122, 124, 125; 52/204.59, 204.1, 204.2,  
52/204.5, 204.51, 656.5, 656.6, 213, 215,  
52/208, 293.3, 204.97, 204.595, 204.71,  
52/730.3, 656.2; 49/209, 501, 504, DIG. 2  
See application file for complete search history.

(56) **References Cited**

**U.S. PATENT DOCUMENTS**

4,974,364 A \* 12/1990 Durham, Jr. .... 49/400  
D343,008 S 1/1994 Cole  
5,687,518 A \* 11/1997 Endo et al. .... 52/204.1  
5,687,519 A \* 11/1997 Bruchu ..... 52/213  
6,055,782 A \* 5/2000 Morton et al. .... 52/204.1  
6,182,405 B1 \* 2/2001 Lindahl ..... 52/204.1  
D443,702 S \* 6/2001 Ballard et al. .... D25/124  
6,327,826 B1 \* 12/2001 Mann ..... 52/204.1  
6,330,769 B1 \* 12/2001 Manzella et al. .... 52/204.62  
6,334,283 B1 \* 1/2002 Edger ..... 52/204.1  
D453,381 S \* 2/2002 Ballard et al. .... D25/124

D461,255 S \* 8/2002 Ballard et al. .... D25/124  
D465,583 S \* 11/2002 Ballard et al. .... D25/124  
D466,621 S \* 12/2002 Ballard et al. .... D25/124  
D466,623 S \* 12/2002 Ballard et al. .... D25/124  
D467,011 S \* 12/2002 Ballard et al. .... D25/124  
D467,355 S \* 12/2002 Ballard et al. .... D25/124  
6,490,831 B1 \* 12/2002 Candusso ..... 52/204.1  
7,246,466 B2 \* 7/2007 Turner ..... 49/504  
2004/0226232 A1 \* 11/2004 Engebretson ..... 52/204.1

**OTHER PUBLICATIONS**

Mikron Part No. 6498 drawn on Sep. 4, 1992 and first sold on Oct. 21, 1992.

Mikron Part No. 5338, drawn on Aug. 25, 1992 and first sold on Oct. 8, 1990.

Mikron Part No. 6623, drawn on Sep. 22, 1993 and first sold on Mar. 1, 1993.

Mikron Part No. 9168, first sold on Aug. 20, 2004.

\* cited by examiner

*Primary Examiner*—Doris Clark

(74) *Attorney, Agent, or Firm*—Black Lowe & Graham PLLC

(57) **CLAIM**

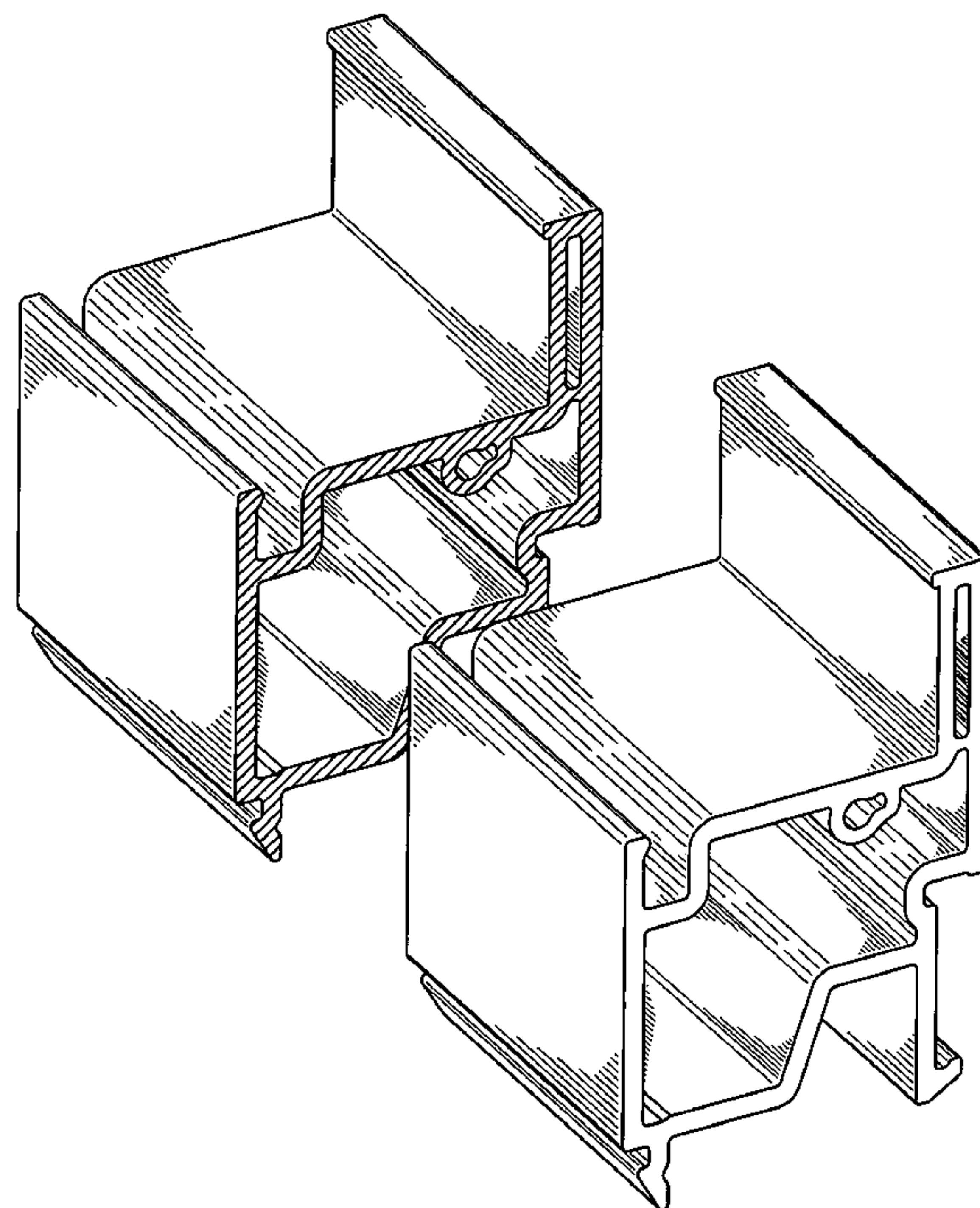
The ornamental design for a window component extrusion, as shown and described.

**DESCRIPTION**

FIG. 1 is a top left perspective view of the window component extrusion which is broken in the center indicating indefinite length; and,

FIG. 2 is a bottom right perspective view of the window component extrusion shown in FIG. 1.

**1 Claim, 2 Drawing Sheets**



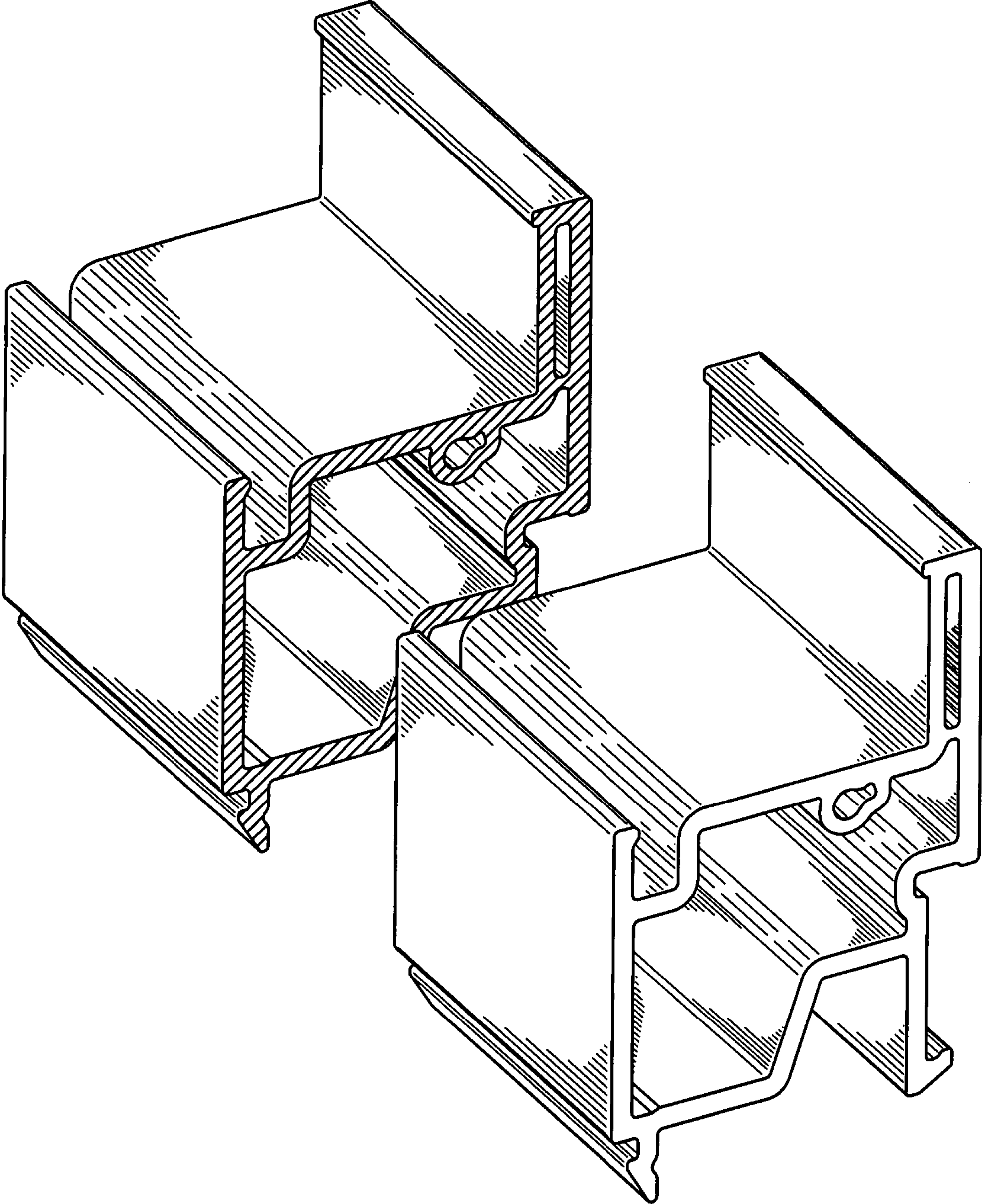


FIG.1



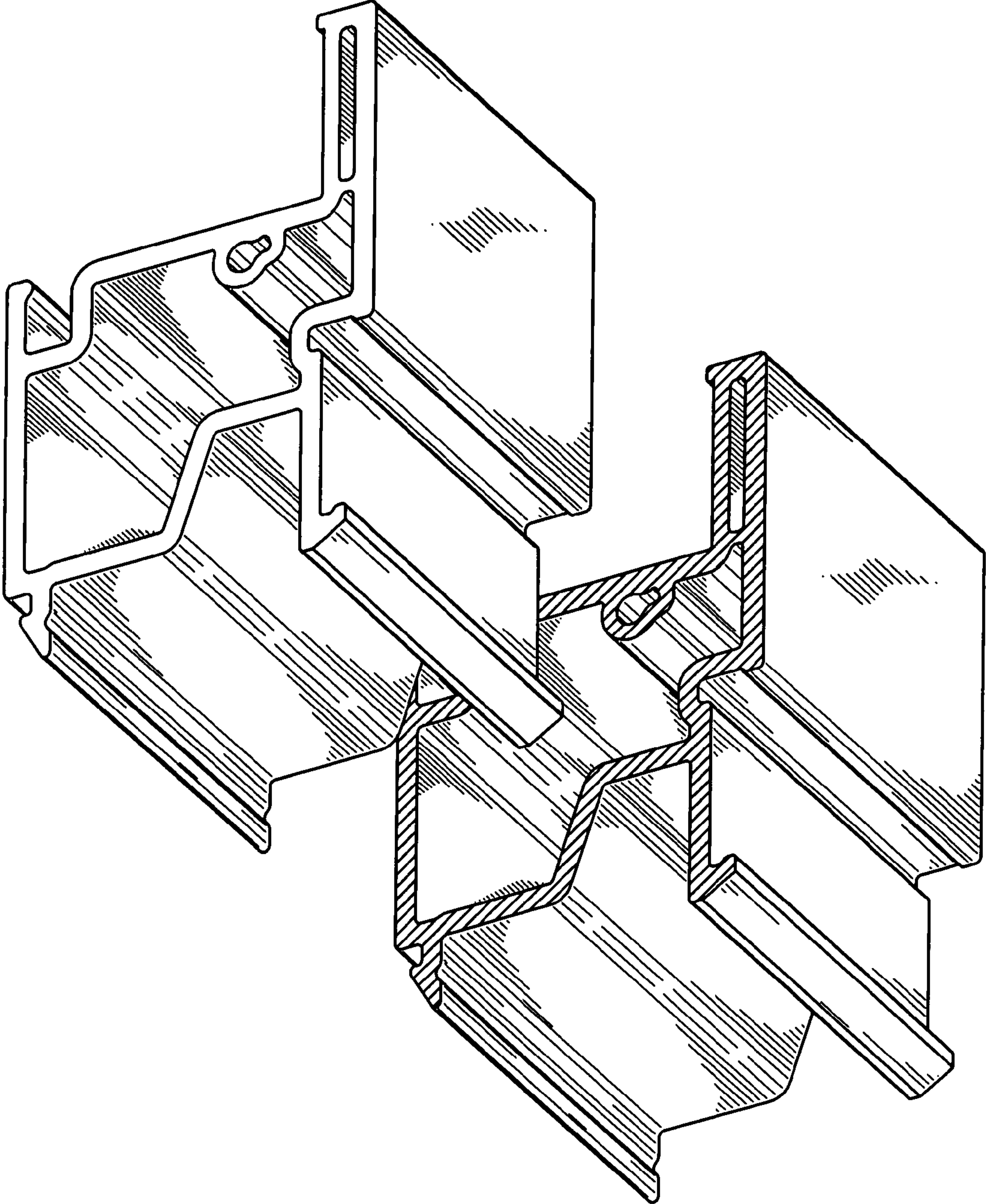


FIG.2