



US00D572837S

(12) **United States Design Patent**
Franson

(10) **Patent No.:** **US D572,837 S**
(45) **Date of Patent:** **** Jul. 8, 2008**

(54) **WINDOW COMPONENT EXTRUSION**

(75) Inventor: **Jeffrey R. Franson**, Maple Valley, WA (US)

(73) Assignee: **Mikron Industries, Inc.**, Kent, WA (US)

(**) Term: **14 Years**

(21) Appl. No.: **29/288,945**

(22) Filed: **Jun. 26, 2007**

(51) **LOC (8) Cl.** **25-01**

(52) **U.S. Cl.** **D25/124; D25/125**

(58) **Field of Classification Search** D25/121, D25/122, 124, 125; 52/204.59, 204.1, 204.2, 52/204.5, 204.51, 656.5, 656.6, 213, 215, 52/208, 293.3, 204.97, 204.595, 204.71, 52/730.3, 656.2; 49/209, 501, 504, DIG. 2
See application file for complete search history.

(56) **References Cited**

U.S. PATENT DOCUMENTS

- 4,974,364 A * 12/1990 Durham, Jr. 49/400
- D339,644 S 9/1993 Cole
- D353,897 S 12/1994 Cole
- 5,687,518 A * 11/1997 Endo et al. 52/204.1
- 5,687,519 A * 11/1997 Bruchu 52/213
- 6,055,782 A * 5/2000 Morton et al. 52/204.1
- 6,182,405 B1 * 2/2001 Lindahl 52/204.1
- D443,702 S * 6/2001 Ballard et al. D25/124
- 6,327,826 B1 * 12/2001 Mann 52/204.1
- 6,330,769 B1 * 12/2001 Manzella et al. 52/204.62
- 6,334,283 B1 * 1/2002 Edger 52/204.1
- D453,381 S * 2/2002 Ballard et al. D25/124
- D461,255 S * 8/2002 Ballard et al. D25/124

- D465,583 S * 11/2002 Ballard et al. D25/124
- D466,621 S * 12/2002 Ballard et al. D25/124
- D466,623 S * 12/2002 Ballard et al. D25/124
- D467,011 S * 12/2002 Ballard et al. D25/124
- D467,355 S * 12/2002 Ballard et al. D25/124
- 6,490,831 B1 * 12/2002 Candusso 52/204.1
- 7,246,466 B2 * 7/2007 Turner 49/504
- 2004/0226232 A1 * 11/2004 Engebretson 52/204.1

OTHER PUBLICATIONS

- Mikron Part No. 8490, drawn on Sep. 26, 2001 and first sold on Feb. 18, 2002.
- Mikron Part No. 8550, drawn on Jan. 18, 2002 and first sold on Jul. 10, 2002.
- Midron Part No. 9315, drawn on Jul. 30, 2004 and first sold on Jan. 18, 2005.
- Mikron Part No. 8990, drawn on Sep. 26, 2003 and first sold on Nov. 19, 2004.
- Mikron Part No. 9309, drawn on Jun. 30, 2004 and first sold on Jan. 24, 2005.

* cited by examiner

Primary Examiner—Doris Clark

(74) *Attorney, Agent, or Firm*—Black Lowe & Graham PLLC

(57) **CLAIM**

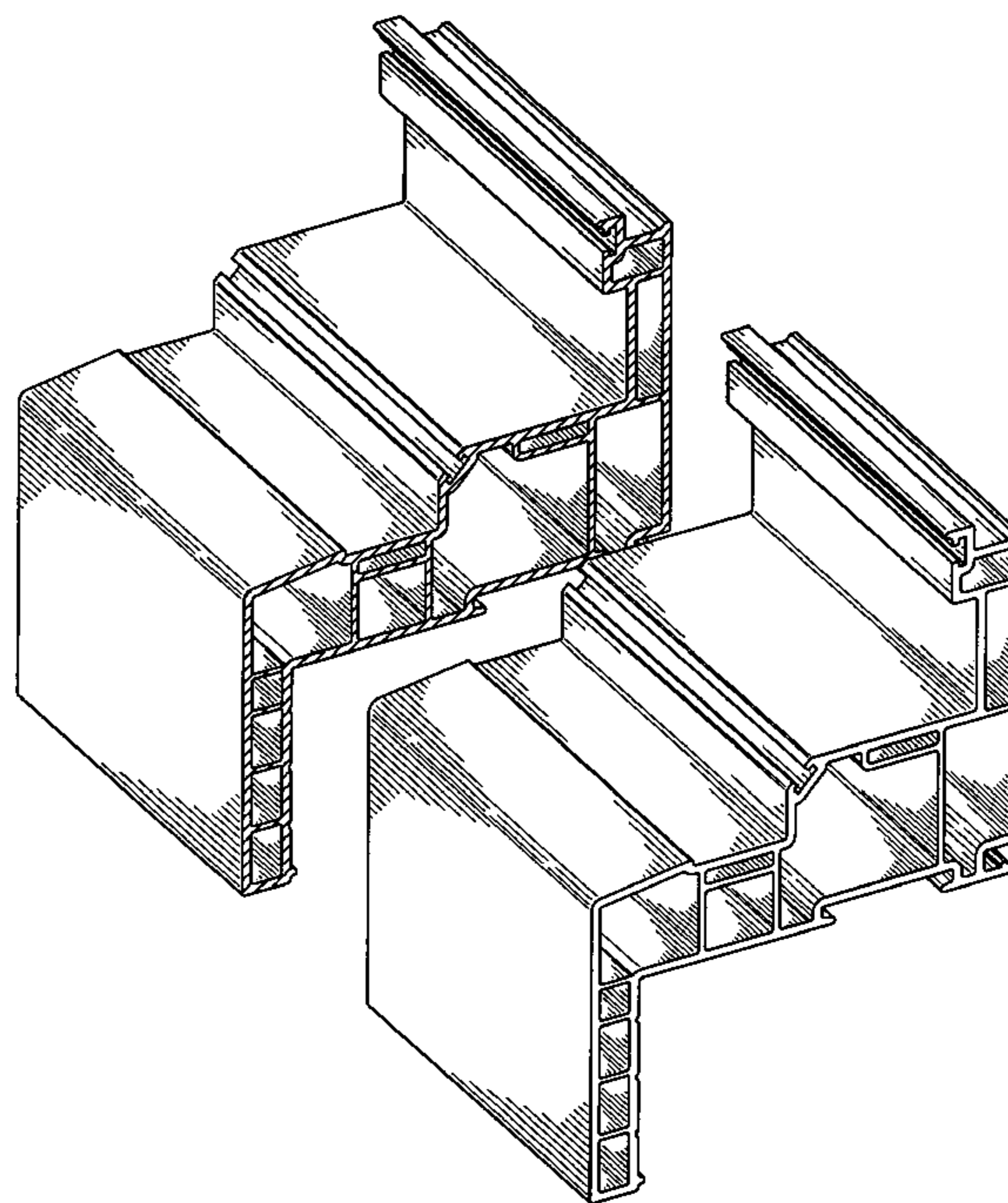
The ornamental design for a window component extrusion, as shown and described.

DESCRIPTION

FIG. 1 is a top left perspective view of the window component extrusion which is broken in the center indicating indefinite length; and,

FIG. 2 is a bottom right perspective view of the window component extrusion shown in FIG. 1.

1 Claim, 2 Drawing Sheets



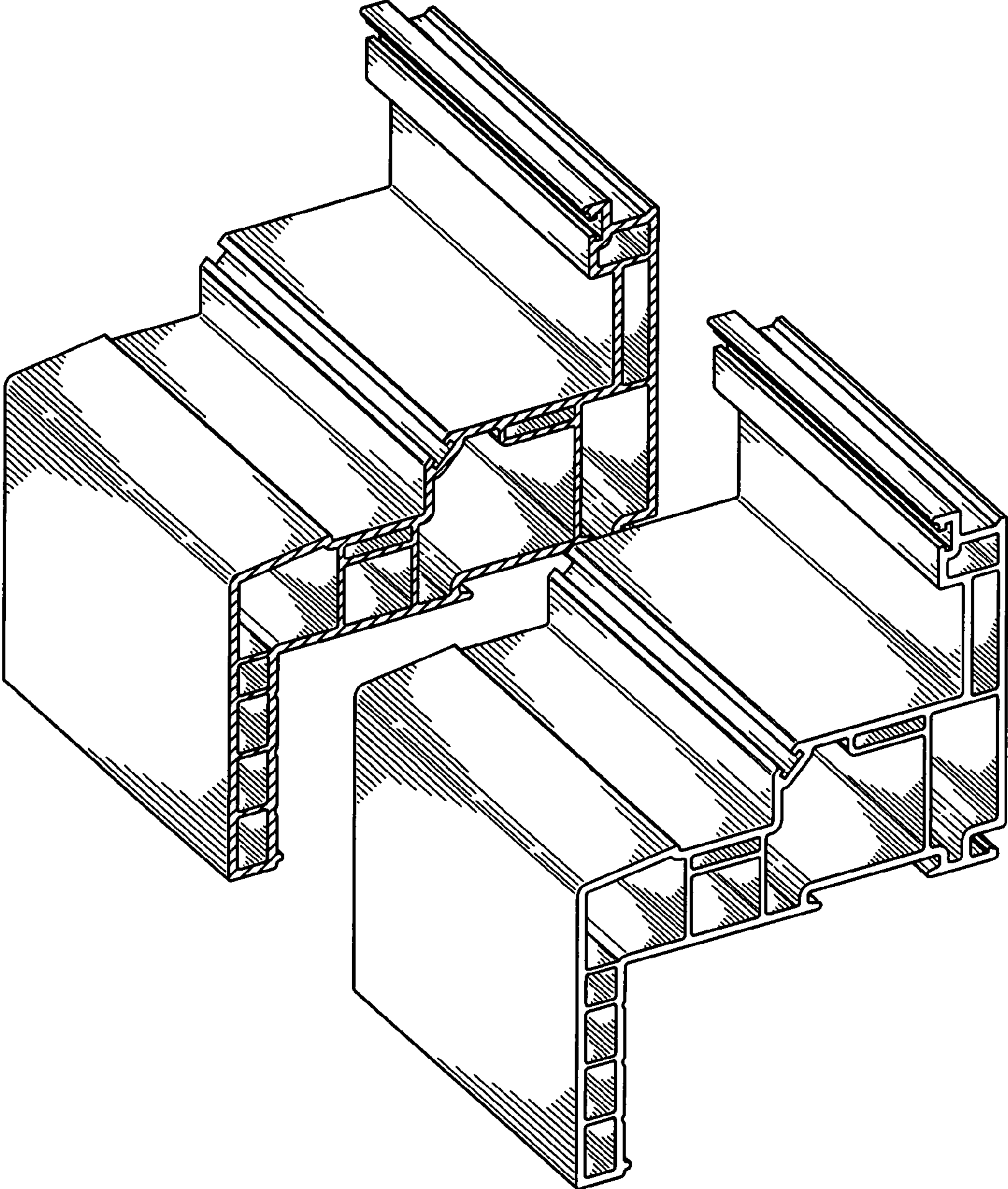


FIG.1

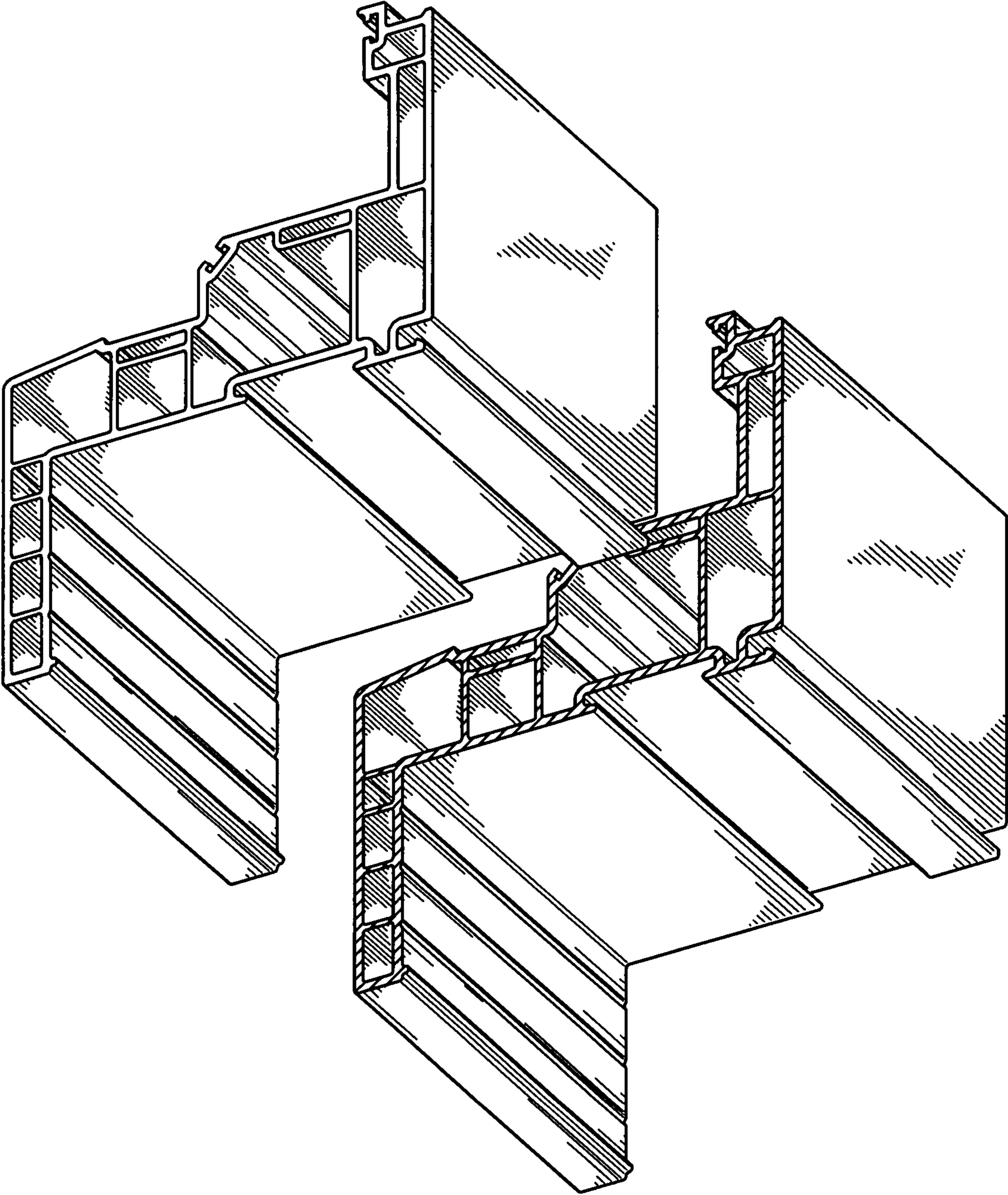


FIG.2