

US00D572835S

(12) **United States Design Patent**
Willman

(10) **Patent No.:** **US D572,835 S**
(45) **Date of Patent:** **** Jul. 8, 2008**

(54) **WINDOW MAIN FRAME EXTRUSION**

(75) **Inventor:** **Todd A. Willman**, Germantown, OH (US)

(73) **Assignee:** **Deceuninck North America, LLC**, Monroe, OH (US)

(**) **Term:** **14 Years**

(21) **Appl. No.:** **29/288,519**

(22) **Filed:** **Jun. 14, 2007**

(51) **LOC (8) Cl.** **25-01**

(52) **U.S. Cl.** **D25/124**

(58) **Field of Classification Search** D25/124, D25/125, 121, 122; 52/204.59, 204.1, 204.2, 52/204.5, 204.51, 656.5, 656.6, 213, 215, 52/208, 293.3, 204.97, 204.595, 204.71, 52/730.3, 656.2; 49/209, 501, 504, DIG. 2
See application file for complete search history.

(56) **References Cited**

U.S. PATENT DOCUMENTS

- 4,974,364 A * 12/1990 Durham, Jr. 49/400
- 5,687,518 A * 11/1997 Endo et al. 52/204.1
- 5,687,519 A * 11/1997 Bruchu 52/213
- 6,055,782 A * 5/2000 Morton et al. 52/204.1
- 6,182,405 B1 * 2/2001 Lindahl 52/204.1
- D443,702 S * 6/2001 Ballard et al. D25/124

- 6,327,826 B1 * 12/2001 Mann 52/204.1
- 6,330,769 B1 * 12/2001 Manzella et al. 52/204.62
- 6,334,283 B1 * 1/2002 Edger 52/204.1
- D453,381 S * 2/2002 Ballard et al. D25/124
- D461,255 S * 8/2002 Ballard et al. D25/124
- D465,583 S * 11/2002 Ballard et al. D25/124
- D466,621 S * 12/2002 Ballard et al. D25/124
- D466,623 S * 12/2002 Ballard et al. D25/124
- D467,011 S * 12/2002 Ballard et al. D25/124
- D467,355 S * 12/2002 Ballard et al. D25/124
- 6,490,831 B1 * 12/2002 Candusso 52/204.1
- 7,246,466 B2 * 7/2007 Turner 49/504
- 2004/0226232 A1 * 11/2004 Engebretson 52/204.1

* cited by examiner

Primary Examiner—Doris Clark

(74) *Attorney, Agent, or Firm*—Jacox, Meckstroth & Jenkins

(57) **CLAIM**

The ornamental design of a window main frame extrusion, as shown and described.

DESCRIPTION

FIG. 1 is a perspective view of a window main frame extrusion, showing my new design, with a middle portion broken away to disclose indefinite length; and,

FIG. 2 is an end view thereof, the opposite end view being a mirror image.

1 Claim, 1 Drawing Sheet

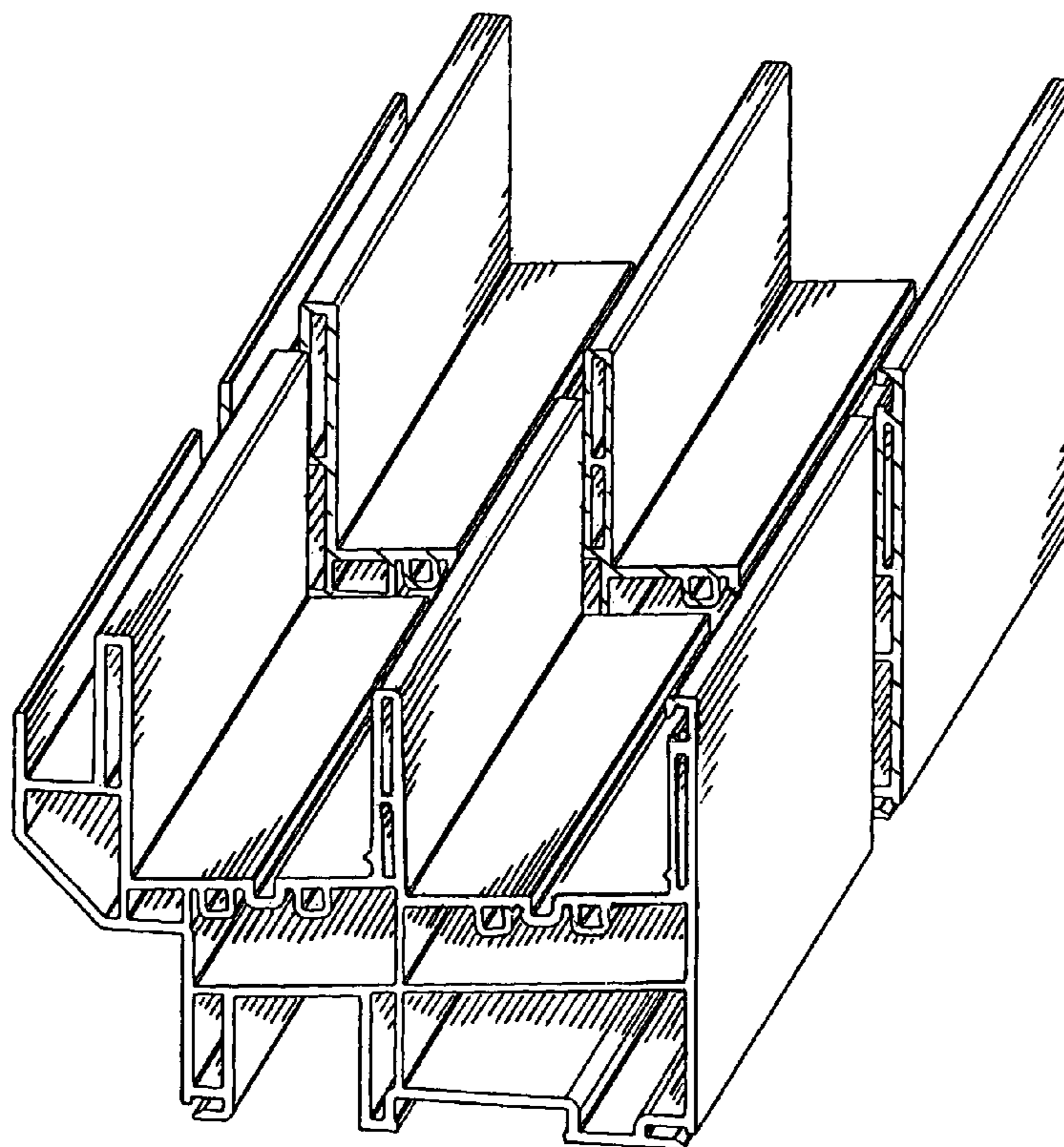


FIG-1

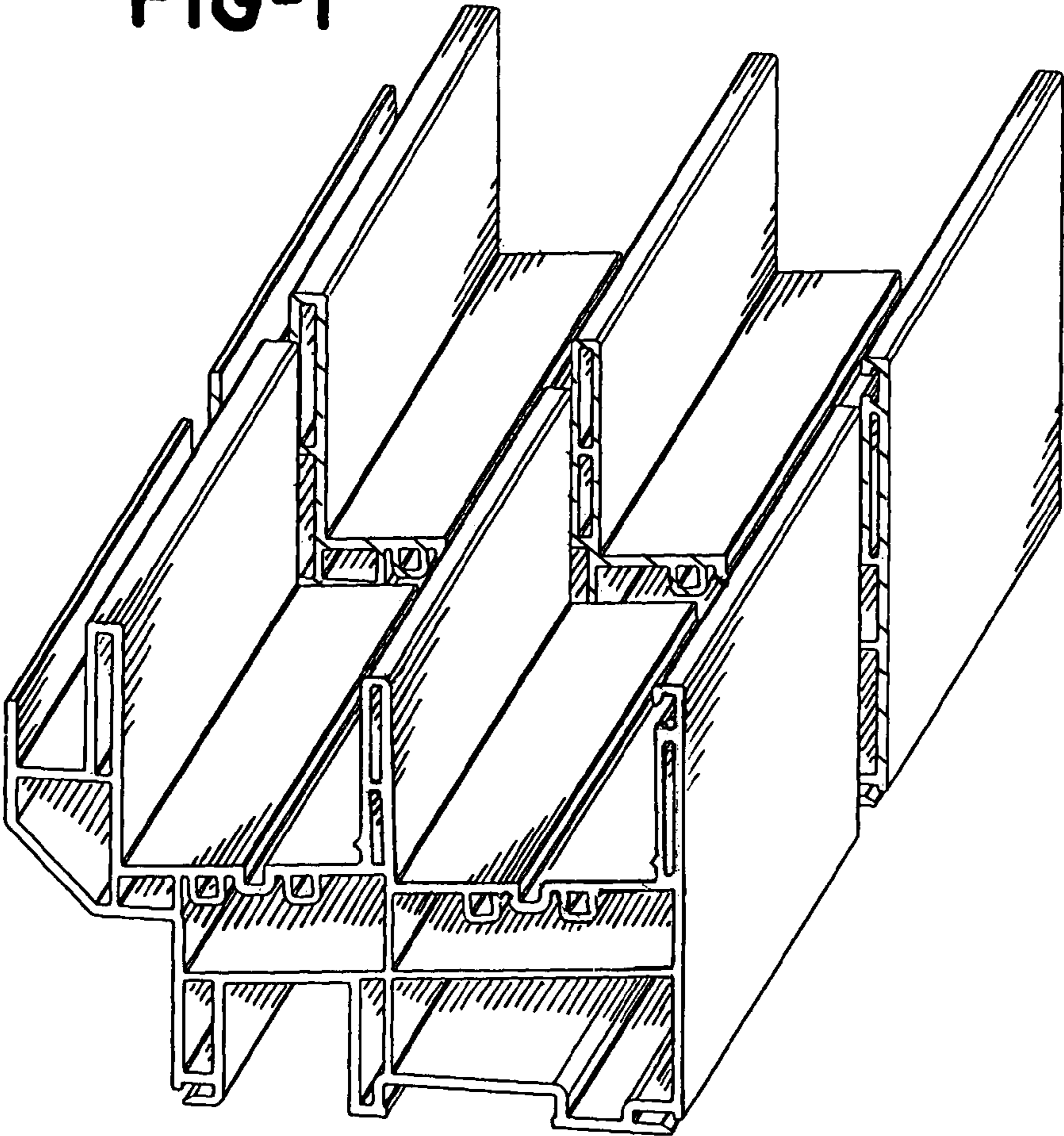


FIG-2

