



US00D572833S

(12) **United States Design Patent**
Wickland

(10) **Patent No.:** **US D572,833 S**
(45) **Date of Patent:** **** Jul. 8, 2008**

(54) **WINDOW COMPONENT EXTRUSION**

(75) Inventor: **Timothy Todd Wickland**, Auburn, WA
(US)

(73) Assignee: **Mikron Industries, Inc.**, Kent, WA (US)

(**) Term: **14 Years**

(21) Appl. No.: **29/288,403**

(22) Filed: **Jun. 8, 2007**

(51) **LOC (8) Cl.** **25-01**

(52) **U.S. Cl.** **D25/124**

(58) **Field of Classification Search** D25/121,
D25/122, 124, 125; 52/204.59, 204.1, 204.2,
52/204.5, 204.51, 656.5, 656.6, 213, 215,
52/208, 293.3, 204.97, 204.595, 204.71,
52/730.3, 656.2; 49/209, 501, 504, DIG. 2

See application file for complete search history.

(56) **References Cited**

U.S. PATENT DOCUMENTS

- 4,974,364 A * 12/1990 Durham, Jr. 49/400
- 5,687,518 A * 11/1997 Endo et al. 52/204.1
- 5,687,519 A * 11/1997 Bruchu 52/213
- 6,055,782 A * 5/2000 Morton et al. 52/204.1
- 6,182,405 B1 * 2/2001 Lindahl 52/204.1
- D443,702 S * 6/2001 Ballard et al. D25/124
- D449,896 S 10/2001 Goss
- 6,327,826 B1 * 12/2001 Mann 52/204.1
- 6,330,769 B1 * 12/2001 Manzella et al. 52/204.62
- 6,334,283 B1 * 1/2002 Edger 52/204.1

- D453,381 S * 2/2002 Ballard et al. D25/124
- D461,255 S * 8/2002 Ballard et al. D25/124
- D465,583 S * 11/2002 Ballard et al. D25/124
- D466,621 S * 12/2002 Ballard et al. D25/124
- D466,623 S * 12/2002 Ballard et al. D25/124
- D467,011 S * 12/2002 Ballard et al. D25/124
- D467,355 S * 12/2002 Ballard et al. D25/124
- 6,490,831 B1 * 12/2002 Candusso 52/204.1
- 7,246,466 B2 * 7/2007 Turner 49/504
- 2004/0226232 A1 * 11/2004 Engebretson 52/204.1

OTHER PUBLICATIONS

Mikron Part No. 0616 conceived of by Mark Palus and first sold prior to 2004.

Mikron Part No. 8890 conceived of by Jeffrey Franson on May 30, 2003 and first sold on Nov. 25, 2003.

* cited by examiner

Primary Examiner—Doris Clark

(74) *Attorney, Agent, or Firm*—Black Lowe & Graham PLLC

(57) **CLAIM**

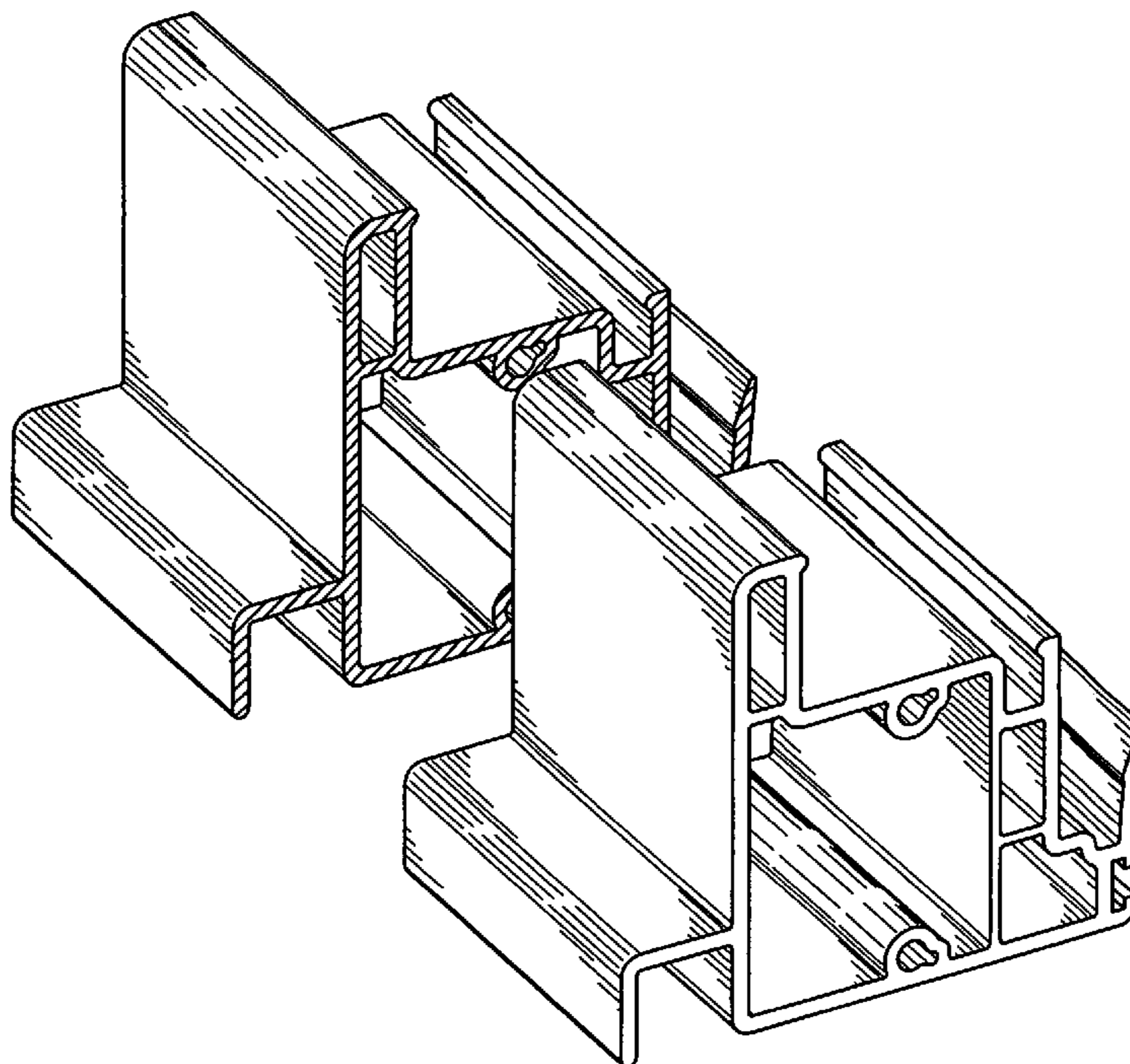
The ornamental design for a window component extrusion, as shown and described.

DESCRIPTION

FIG. 1 is a top left perspective view of the window component extrusion which is broken in the center indicating indefinite length; and,

FIG. 2 is a bottom right perspective view of the window component extrusion shown in FIG. 1.

1 Claim, 2 Drawing Sheets



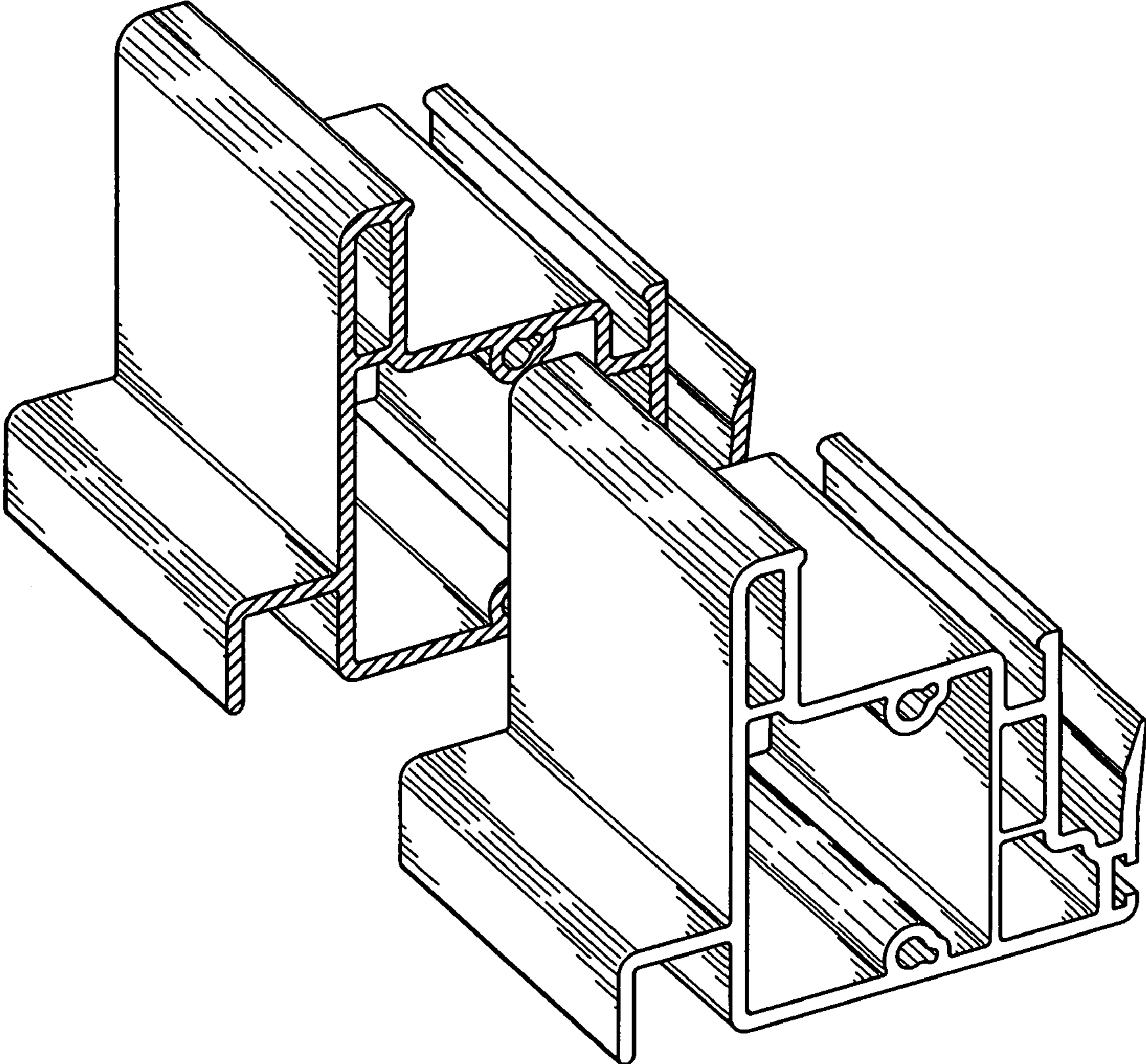


FIG.1

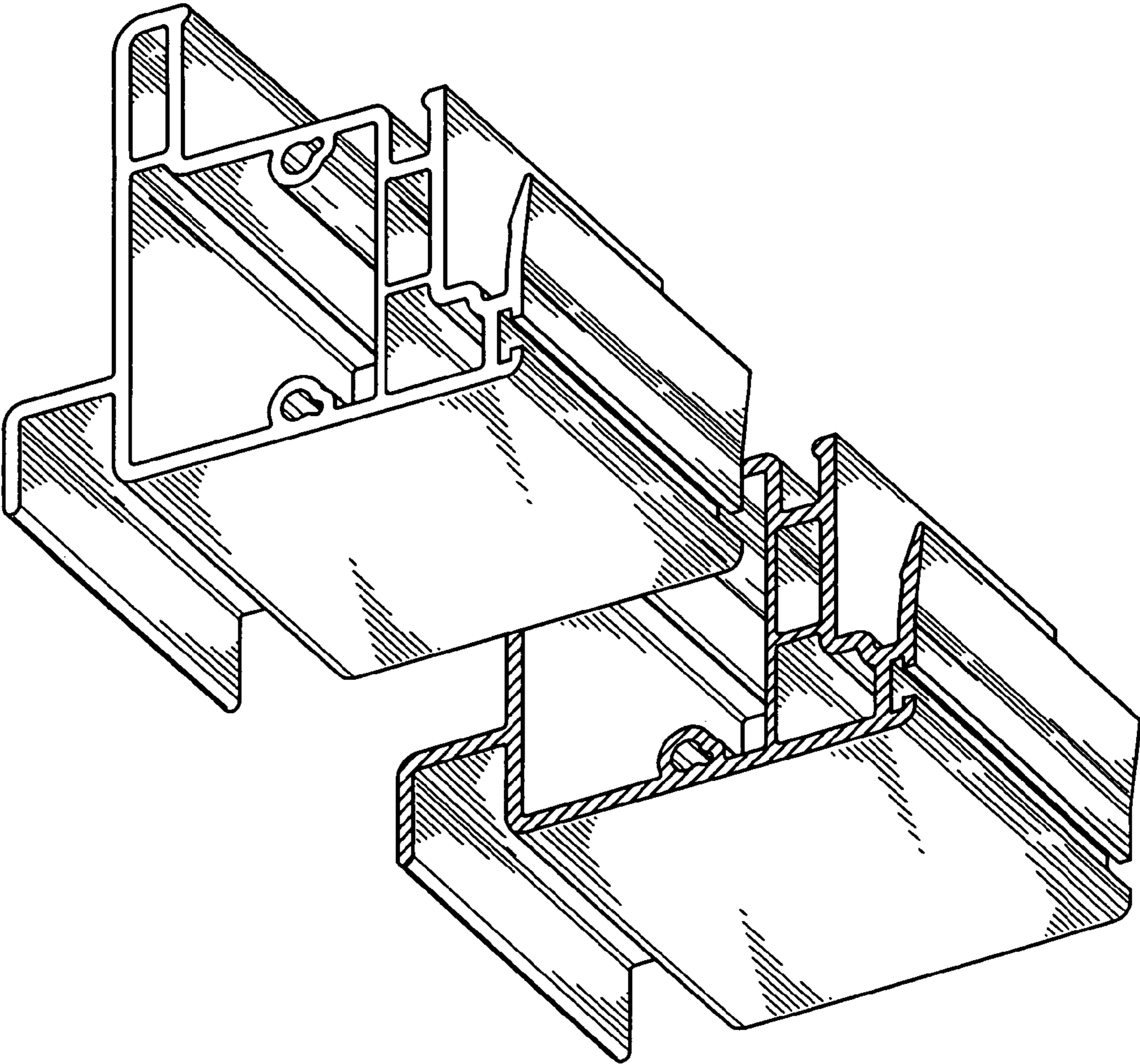


FIG.2