



US00D572819S

(12) **United States Design Patent**
Puhasmagi

(10) **Patent No.:** **US D572,819 S**
(45) **Date of Patent:** **** Jul. 8, 2008**

(54) **CATHETER ASSEMBLY**

(75) Inventor: **Arne Puhasmagi**, Boras (SE)

(73) Assignee: **Nordic Med, Com AB**, Boras (SE)

(**) Term: **14 Years**

(21) Appl. No.: **29/267,517**

(22) Filed: **Oct. 17, 2006**

(30) **Foreign Application Priority Data**

Apr. 19, 2006 (EM) 000514815-0002

(51) **LOC (8) Cl.** **24-02**

(52) **U.S. Cl.** **D24/130**

(58) **Field of Classification Search** D24/112,
D24/130, 146; 604/179, 180, 177, 164.01,
604/174, 167.02, 192, 198, 166.01, 164.02,
604/164.04, 164.07, 19-21, 27, 93.01, 115-117,
604/158-159, 161-162, 164.11-164.12,
604/165.01-165.02, 173, 272, 523, 528,
604/533, 167, 172, 185, 1-3, 433-435, 564,
604/585; 128/207.14, 207.15

See application file for complete search history.

(56) **References Cited**

U.S. PATENT DOCUMENTS

4,324,236 A * 4/1982 Gordon et al. 604/272
4,392,856 A * 7/1983 Lichtenstein 604/177
4,629,452 A * 12/1986 Wahlberg et al. 604/177

5,562,631 A * 10/1996 Bogert 604/192
D459,802 S * 7/2002 Cindrich D24/130
D469,529 S * 1/2003 Niermann et al. D24/130
6,719,727 B2 * 4/2004 Brimhall et al. 604/177
D498,844 S * 11/2004 Diamond et al. D24/130
2002/0177816 A1 * 11/2002 Brimhall et al. 604/174
2006/0129101 A1 * 6/2006 McGuckin, Jr. 604/164.01
2007/0106223 A1 * 5/2007 Lampropoulos et al. 604/174
2007/0173765 A2 * 7/2007 Bierman et al. 604/174

* cited by examiner

Primary Examiner—Louis S Zarfaz

Assistant Examiner—Eric L Goodman

(74) *Attorney, Agent, or Firm*—Jeffrey S. Melcher; Manelli
Denison & Selter, PLLC

(57) **CLAIM**

I claim the ornamental design for a catheter assembly, as shown and described.

DESCRIPTION

FIG. 1 is a view of the catheter assembly from above;

FIG. 2 is a view of the catheter assembly from below, with the crosshatching representing a removable protective film;

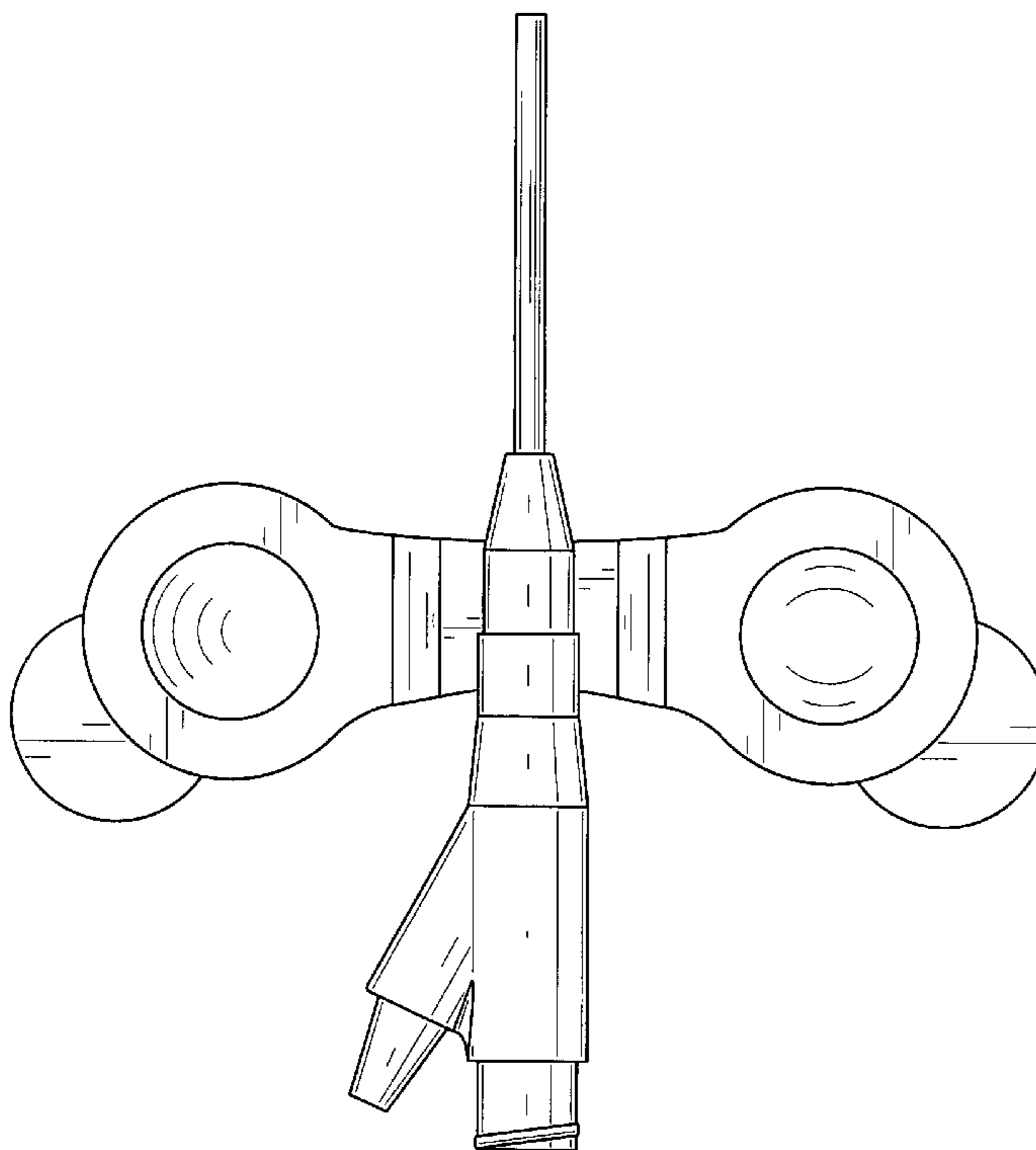
FIG. 3 is a view showing the right side of the catheter assembly;

FIG. 4 is a view showing the left side of the catheter assembly;

FIG. 5 is a front view of the catheter assembly; and,

FIG. 6 is a rear view of the catheter assembly.

1 Claim, 4 Drawing Sheets



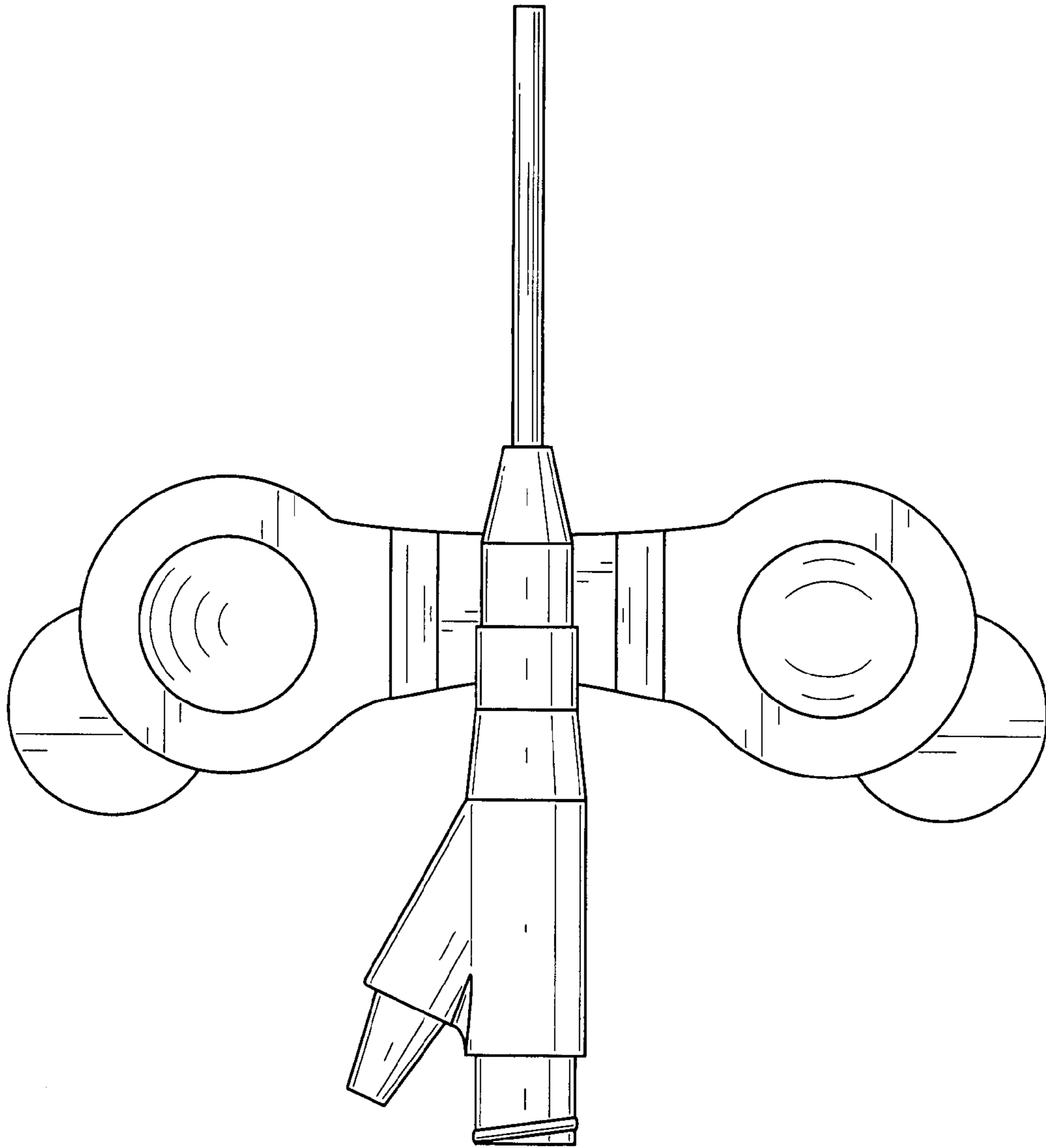


FIG. 1

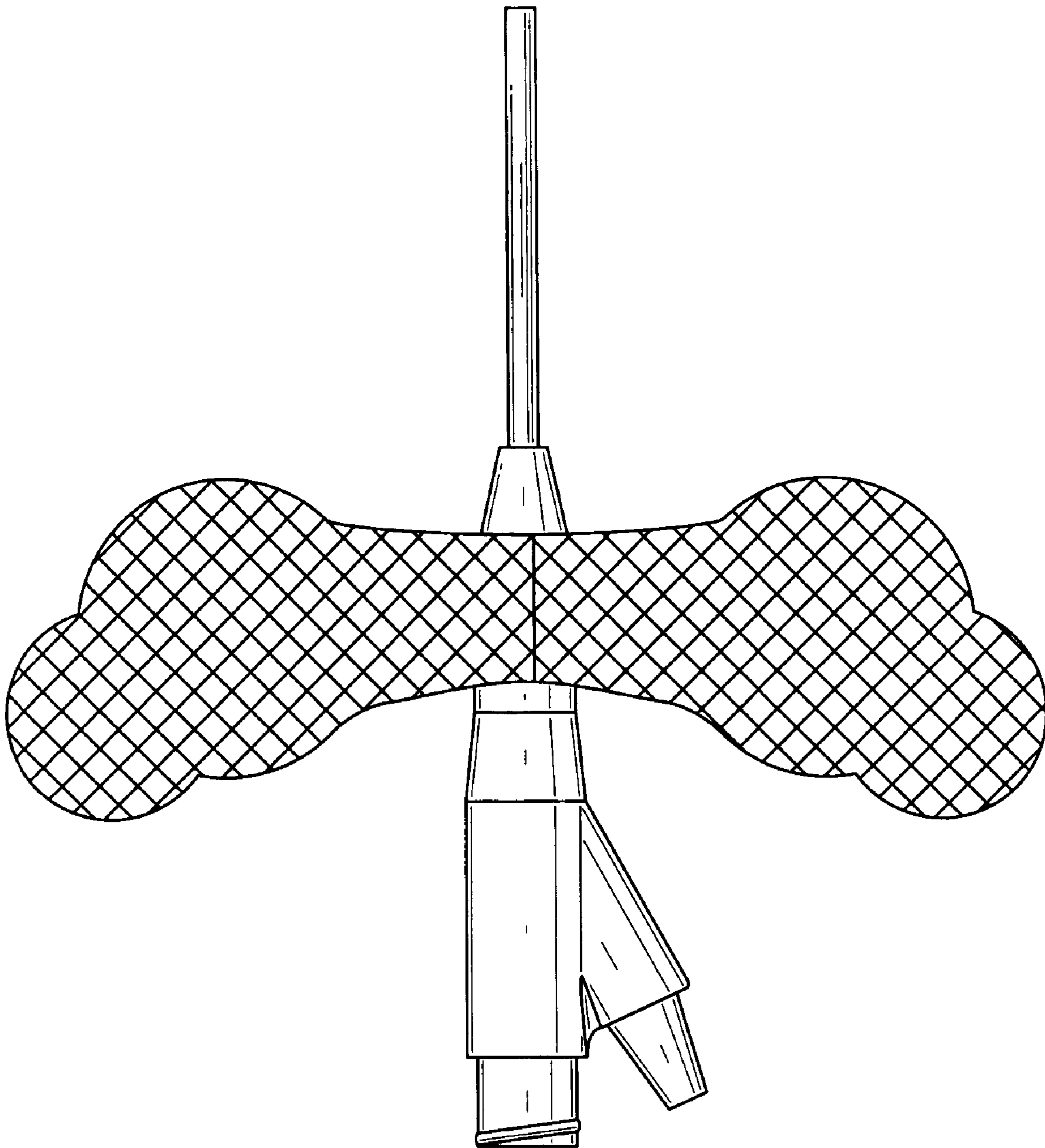


FIG. 2

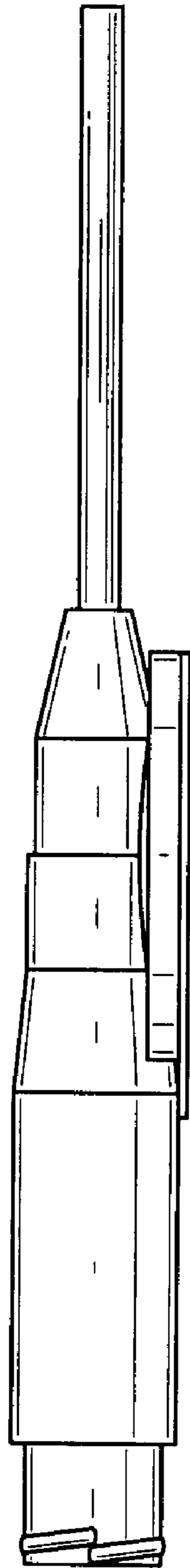


FIG. 3

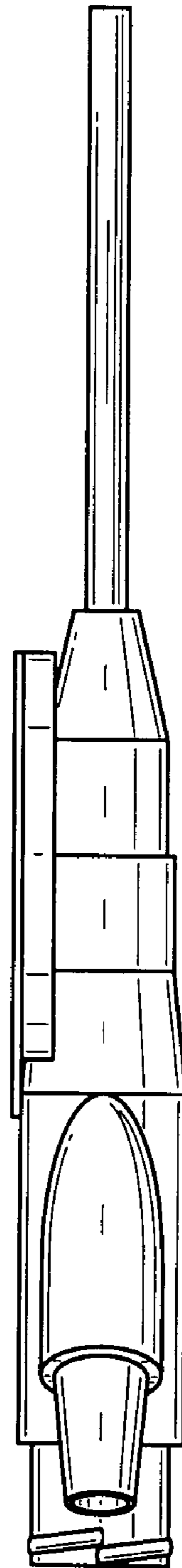


FIG. 4

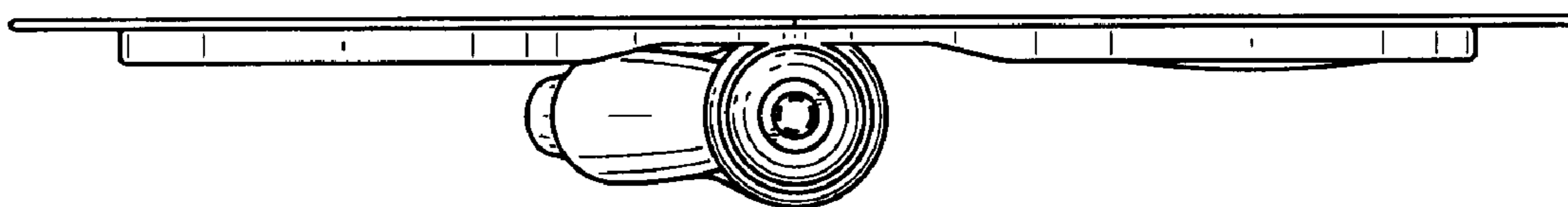


FIG. 5

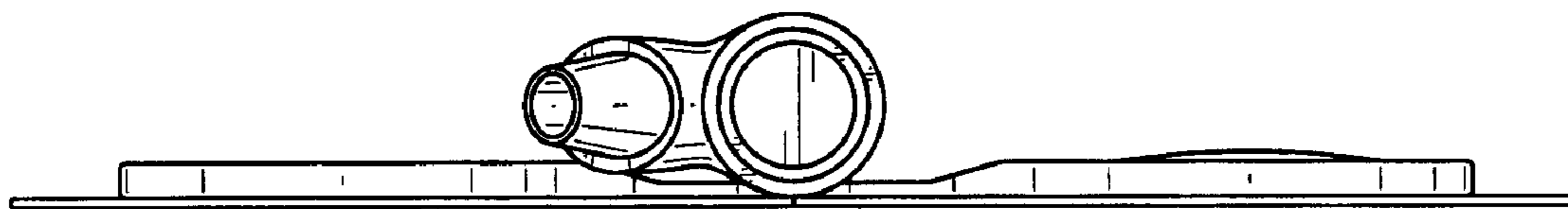


FIG. 6