



US00D572818S

(12) **United States Design Patent**  
**Bruce et al.**

(10) **Patent No.:** **US D572,818 S**  
(45) **Date of Patent:** **\*\* Jul. 8, 2008**

(54) **POWER INJECTION SYSTEM FACE PLATE**  
(75) Inventors: **John Kevin Bruce**, Burlington, KY  
(US); **David W. Wilson**, Loveland, OH  
(US); **Tony Michael Guard**, Union, KY  
(US)

(73) Assignee: **Mallinckrodt, Inc.**, St. Louis, MO (US)

(\*\*) Term: **14 Years**

(21) Appl. No.: **29/227,139**

(22) Filed: **Apr. 7, 2005**

**Related U.S. Application Data**

(63) Continuation-in-part of application No. 10/964,002, filed on Oct. 13, 2004, and a continuation-in-part of application No. 10/964,003, filed on Oct. 13, 2004.

(51) **LOC (8) Cl.** ..... **24-02**

(52) **U.S. Cl.** ..... **D24/130**

(58) **Field of Classification Search** ..... D24/112,  
D24/128, 130; D8/14.1; 128/DIG. 1; 600/432;  
604/151, 152, 154, 223, 228

See application file for complete search history.

(56) **References Cited**

**U.S. PATENT DOCUMENTS**

4,677,980 A	7/1987	Reilly et al.	128/655
4,695,271 A	9/1987	Goethel	604/49
D325,972 S *	5/1992	Chen et al.	D24/193
5,279,569 A	1/1994	Neer et al.	604/154
5,662,612 A	9/1997	Niehoff	604/155
5,865,805 A	2/1999	Ziemba	604/154

5,913,844 A	6/1999	Ziemba et al.	604/154
6,368,307 B1 *	4/2002	Ziemba et al.	604/218
D474,840 S *	5/2003	Crawford	D24/131
6,676,634 B1 *	1/2004	Spohn et al.	604/154
6,743,205 B2	6/2004	Nolan, Jr. et al.	604/154
7,025,757 B2 *	4/2006	Reilly et al.	604/506
D528,660 S *	9/2006	Lornage	D24/197
2006/0079842 A1 *	4/2006	Small et al.	604/151
2006/0079843 A1 *	4/2006	Brooks et al.	604/151
2006/0184157 A1 *	8/2006	Spohn et al.	604/535

\* cited by examiner

*Primary Examiner*—Louis S Zarfaz

*Assistant Examiner*—Eric L Goodman

(74) *Attorney, Agent, or Firm*—Wood, Herron & Evans LLP

(57) **CLAIM**

The ornamental design for a power injection system face plate, as shown and described.

**DESCRIPTION**

FIG. 1 is a rear perspective view of the design;

FIG. 2 is a front view;

FIG. 3 is a right side view;

FIG. 4 is a left side view;

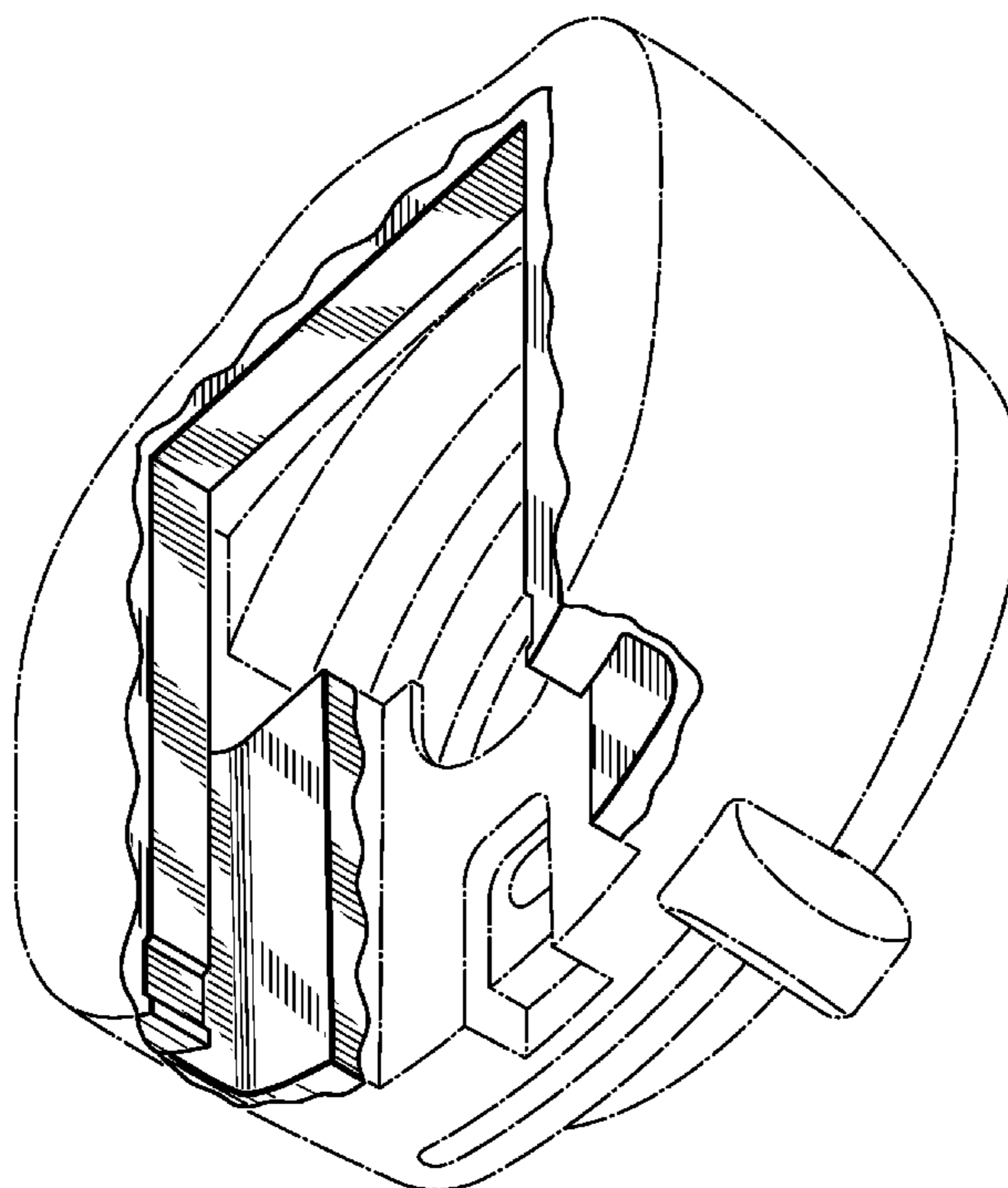
FIG. 5 is a top view;

FIG. 6 is a bottom view; and,

FIG. 7 is a rear view.

The broken line showing of the power injection system face plate is for the purpose of illustrating the environmental structure and forms no part of the claimed design.

**1 Claim, 4 Drawing Sheets**



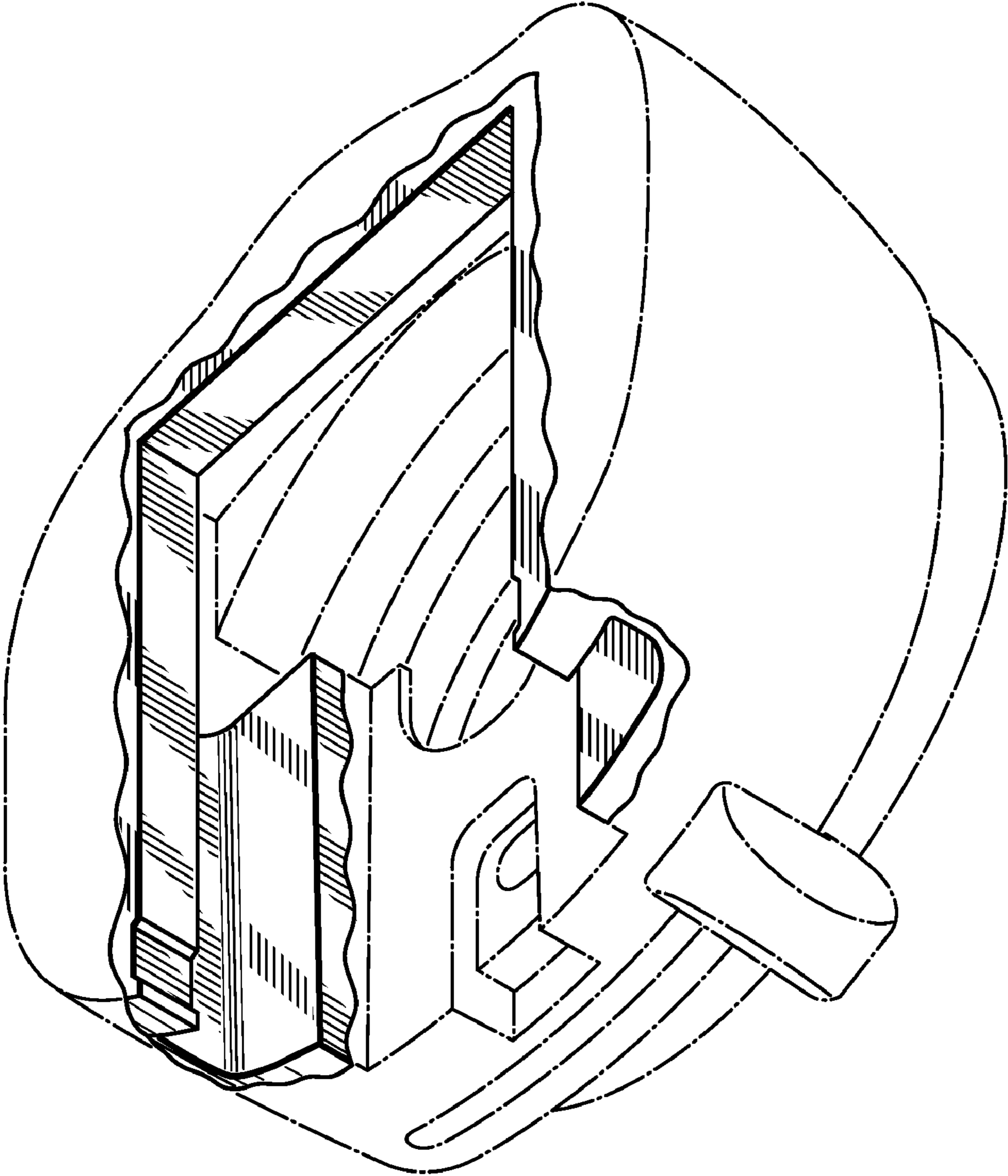


FIG. 1

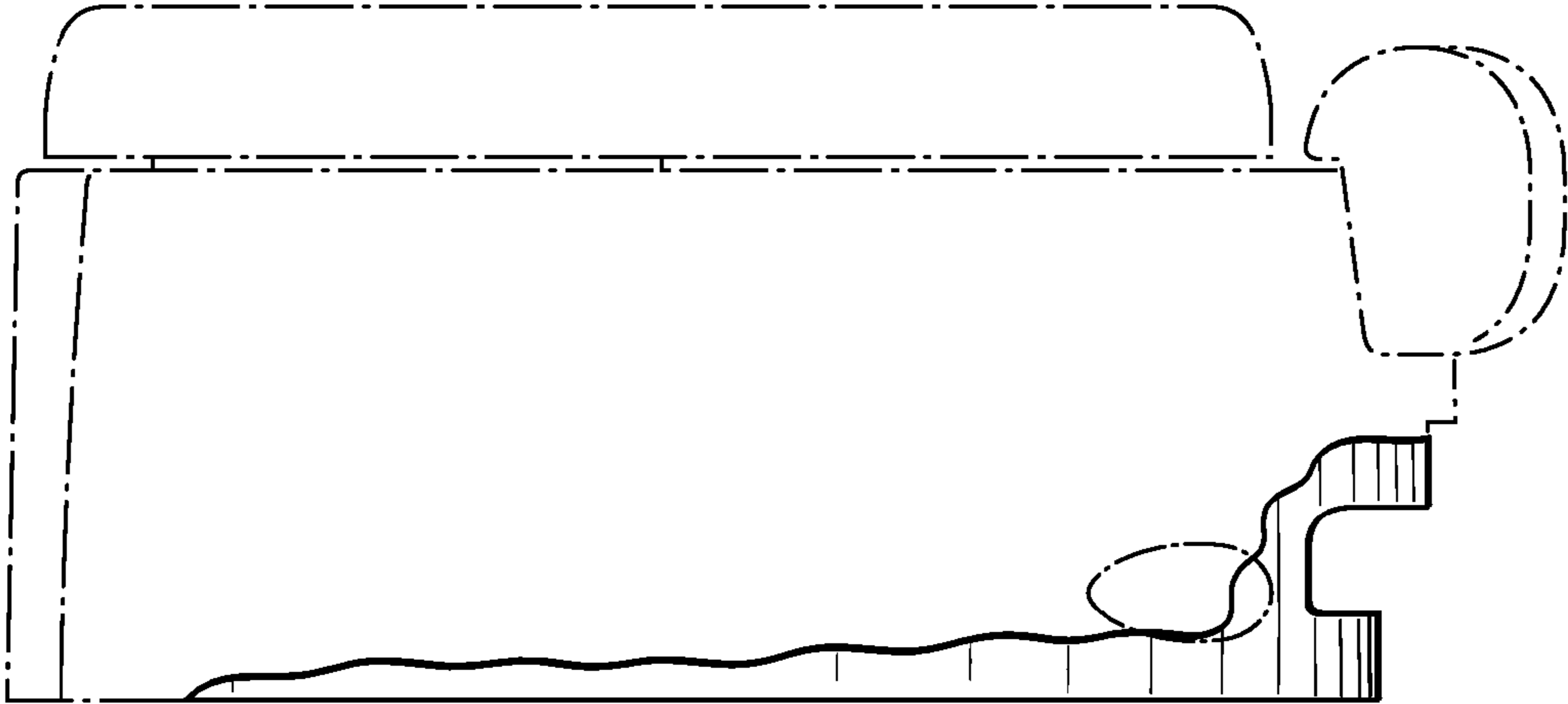


FIG. 3

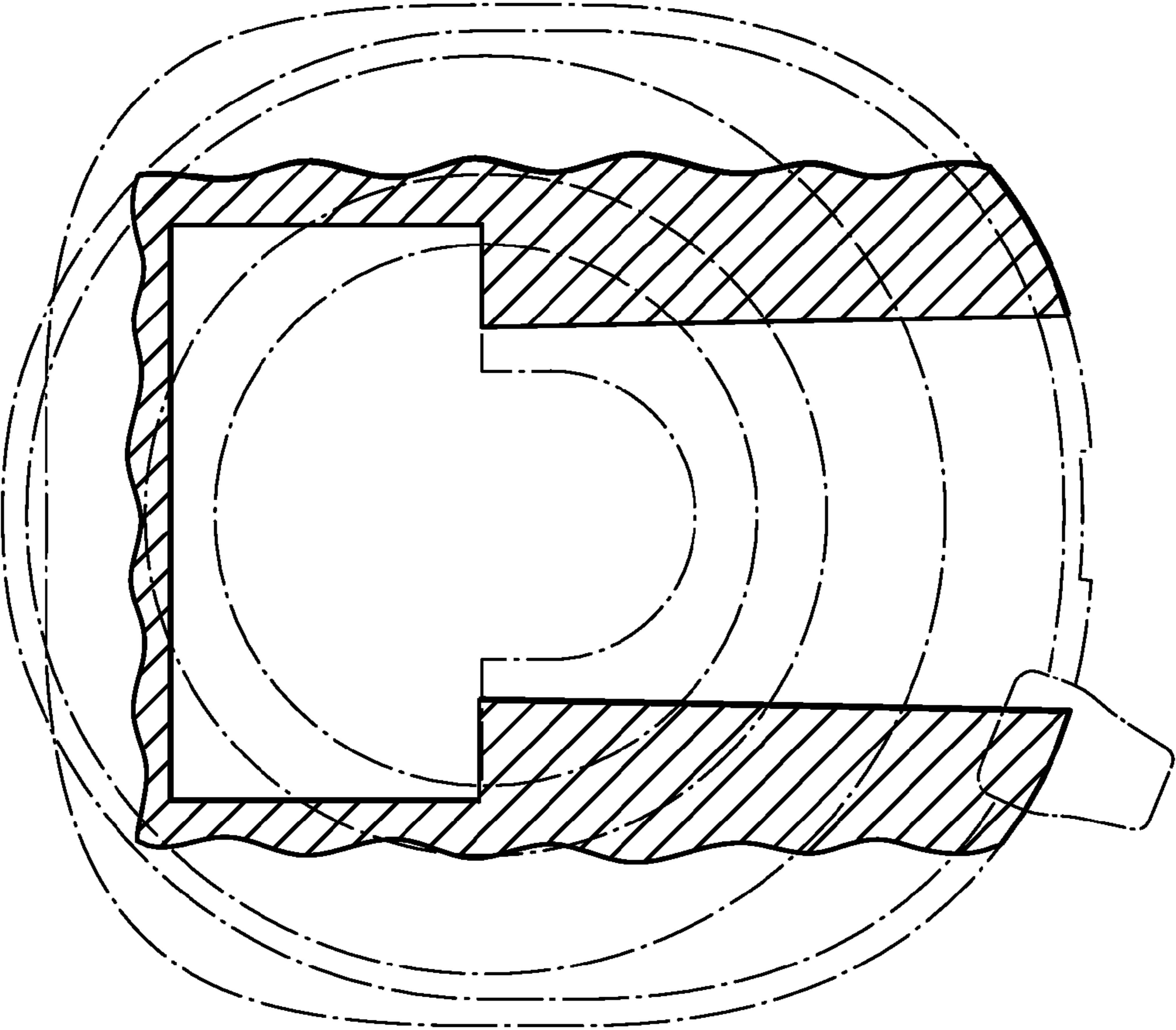


FIG. 2

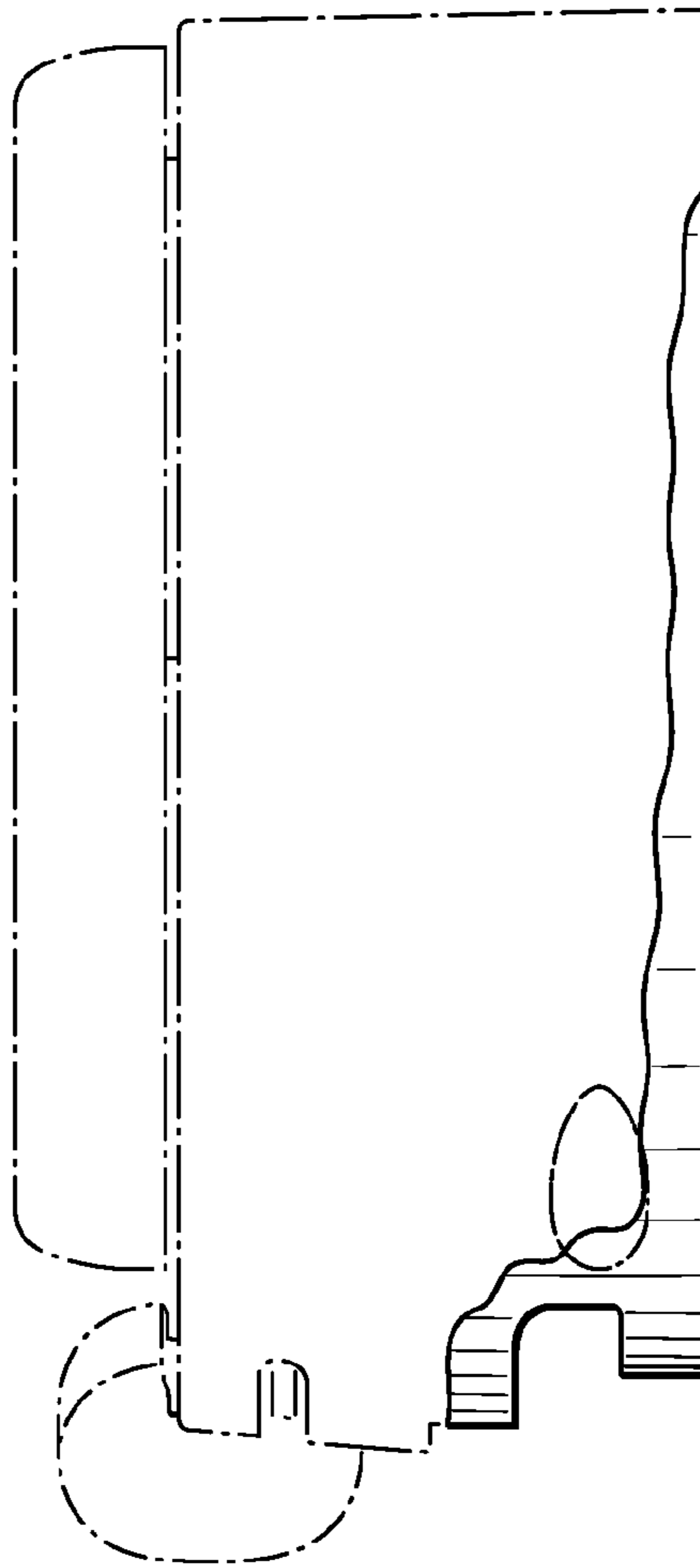


FIG. 4

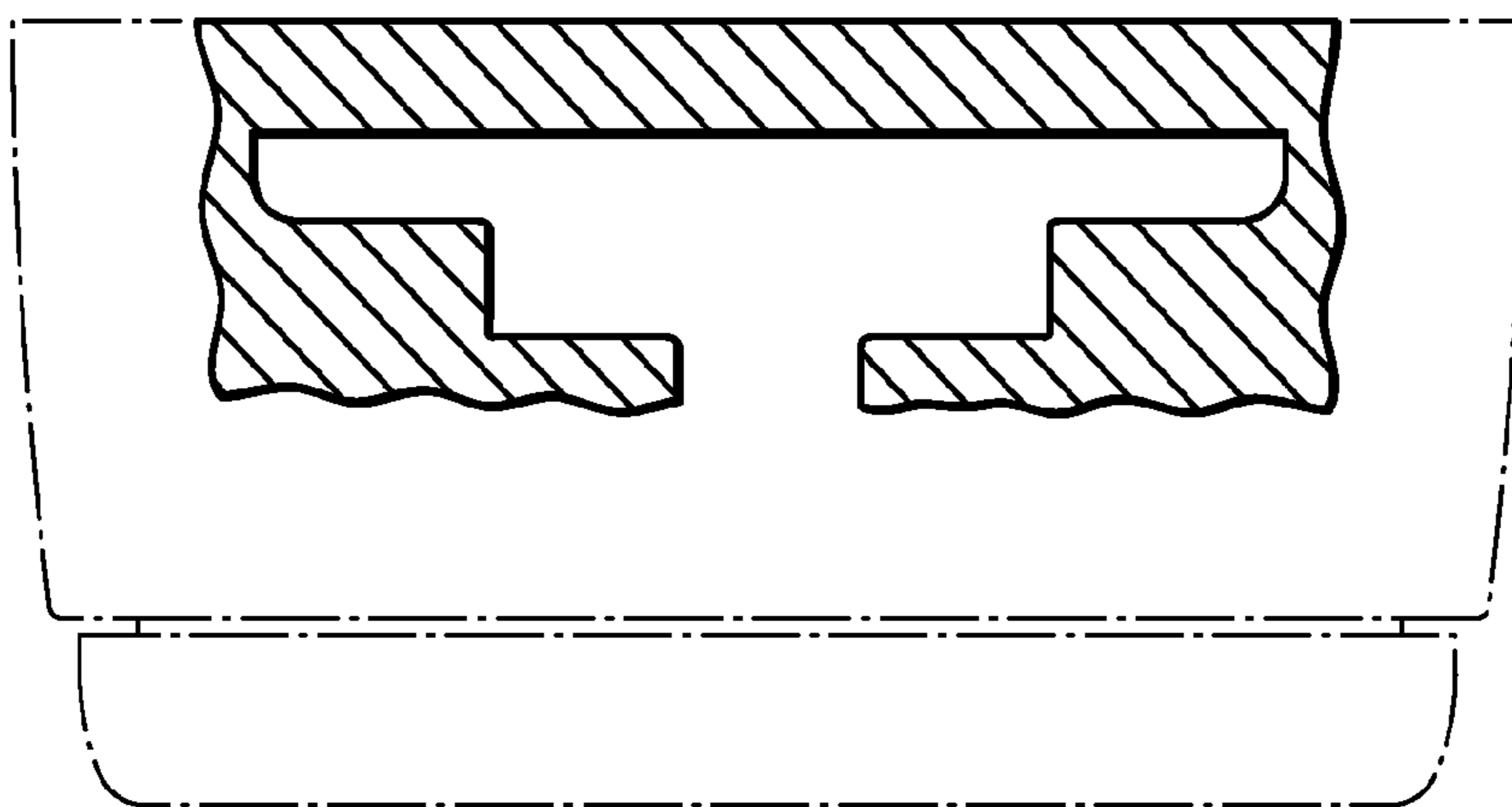


FIG. 5

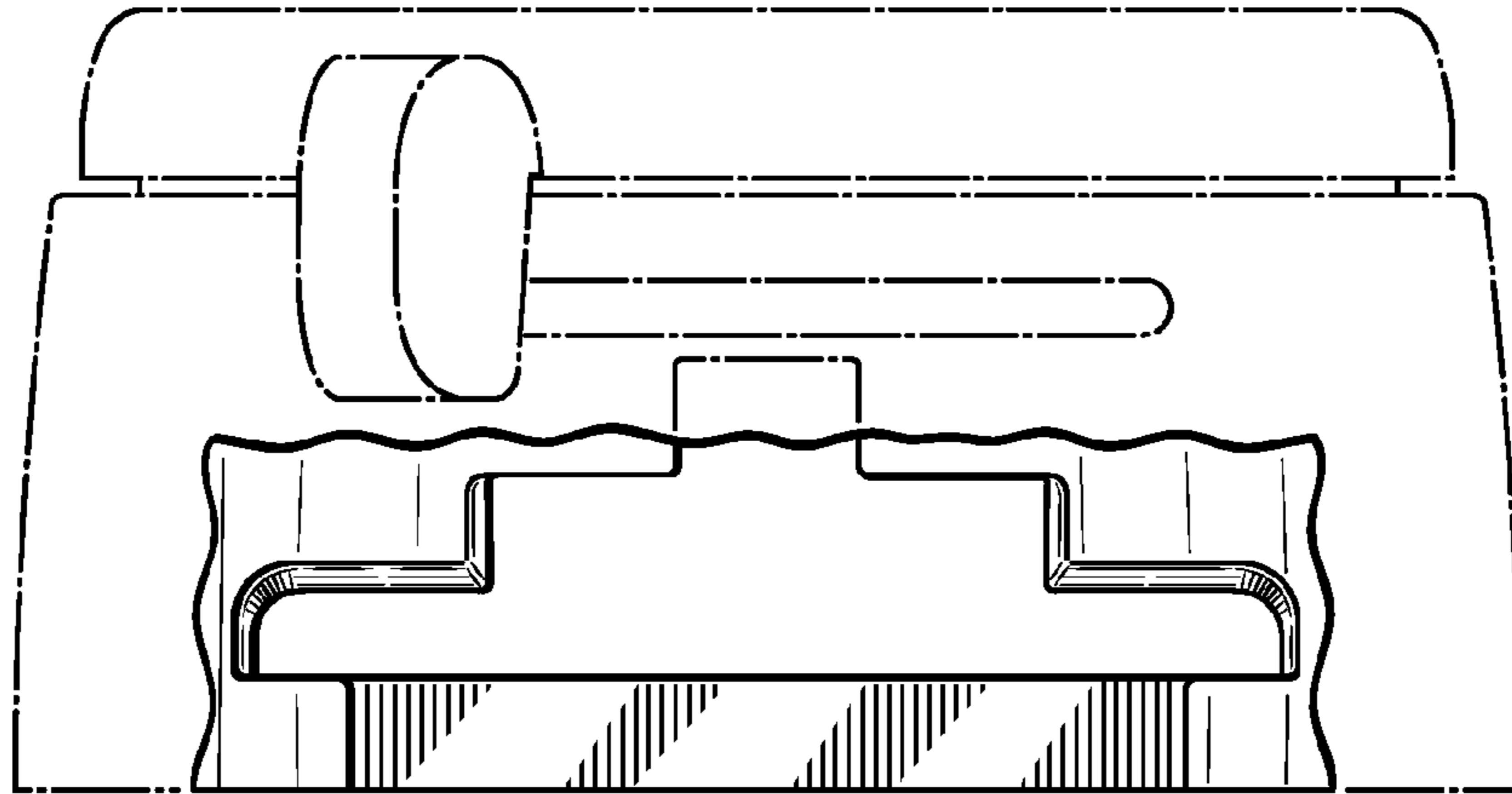


FIG. 6

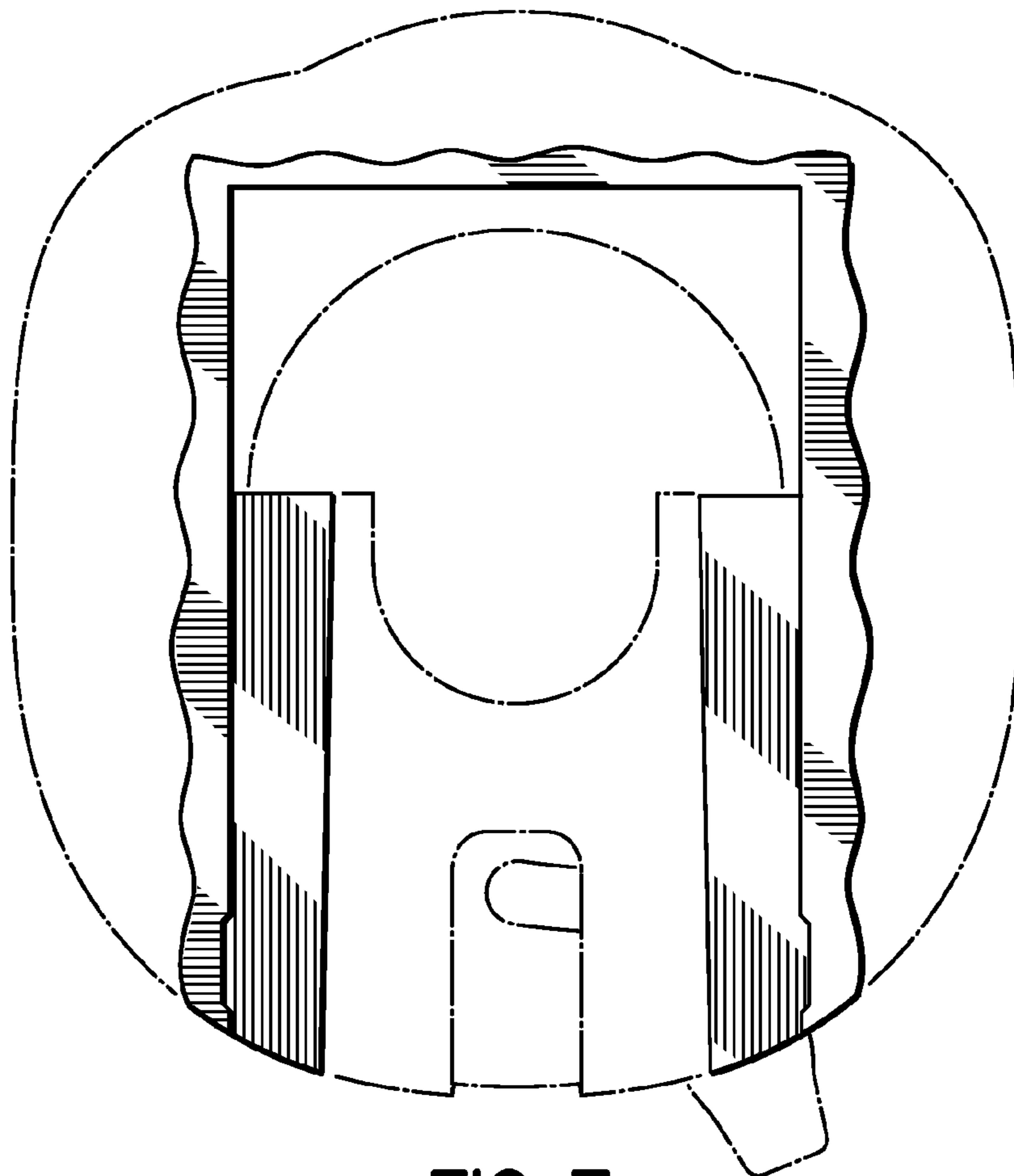


FIG. 7