



US00D572817S

(12) **United States Design Patent**
Kuwano et al.

(10) **Patent No.:** **US D572,817 S**
(45) **Date of Patent:** **** Jul. 8, 2008**

(54) **DIAPER**
(75) Inventors: **Seiichi Kuwano**, Kagawa (JP);
Toshimitsu Baba, Kagawa (JP)
(73) Assignee: **Uni-Charm Corporation**,
Shikokuchuo-Shi, Ehime-Ken (JP)

JP D1077251 7/2000
JP D1077869 7/2000
JP D1220442 10/2004
JP D1220443 10/2004
JP D1220619 10/2004
JP D1296700 2/2007

* cited by examiner

(**) Term: **14 Years**
(21) Appl. No.: **29/275,714**
(22) Filed: **Jan. 4, 2007**

Primary Examiner—Louis S Zarfaz
Assistant Examiner—Michelle E Wilson
(74) *Attorney, Agent, or Firm*—Darby & Darby P.C.

(30) **Foreign Application Priority Data**
Jul. 7, 2006 (JP) 2006-018111

(57) **CLAIM**

The ornamental design for diaper, as shown and described.

(51) **LOC (8) Cl.** **24-04**
(52) **U.S. Cl.** **D24/126**
(58) **Field of Classification Search** D24/124–126;
604/358–365, 385.21, 385.22, 385.23, 385.24,
604/385.25
See application file for complete search history.

DESCRIPTION

FIG. 1 is a front side perspective view of our new design for a diaper;
FIG. 2 is a rear elevation view thereof;
FIG. 3 is a top plan view thereof;
FIG. 4 is a bottom plan view thereof;
FIG. 5 is a right side elevation view thereof, of which a left side elevation view is symmetrical thereof;
FIG. 6 is a cross-section view along line 6—6 of FIG. 1 thereof; and,
FIG. 7 is a cross-section view along line 7—7 of FIG. 1 of our new design for diaper.
The broken lines are for illustration purposes only and form no part of the claimed designs.

(56) **References Cited**
U.S. PATENT DOCUMENTS
D411,007 S * 6/1999 Peck D24/126
D466,608 S * 12/2002 Magee et al. D24/126
D489,451 S * 5/2004 Glaug et al. D24/126
D489,821 S * 5/2004 Glaug et al. D24/126

FOREIGN PATENT DOCUMENTS
JP D1067211 4/2000

1 Claim, 3 Drawing Sheets

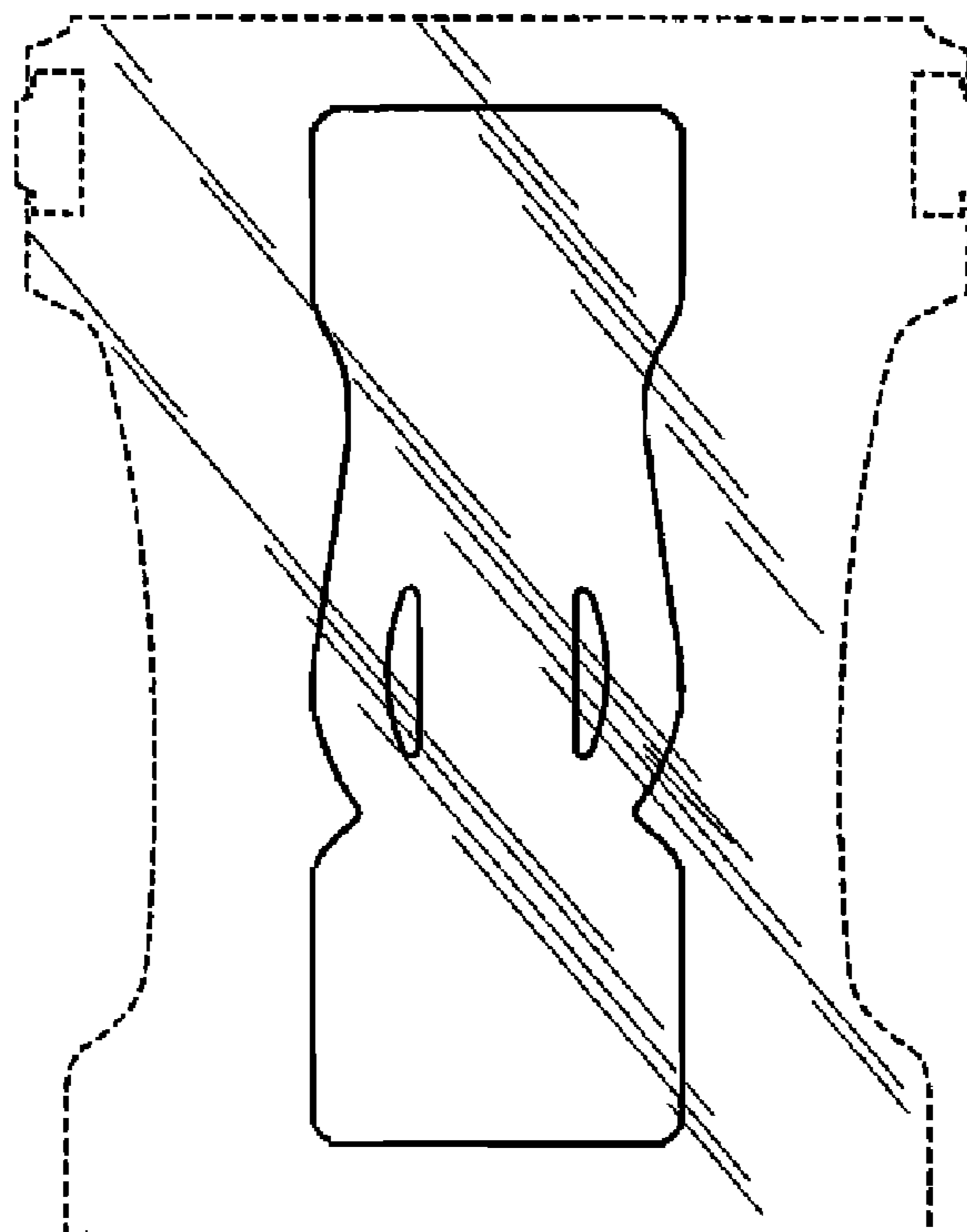


Fig. 1

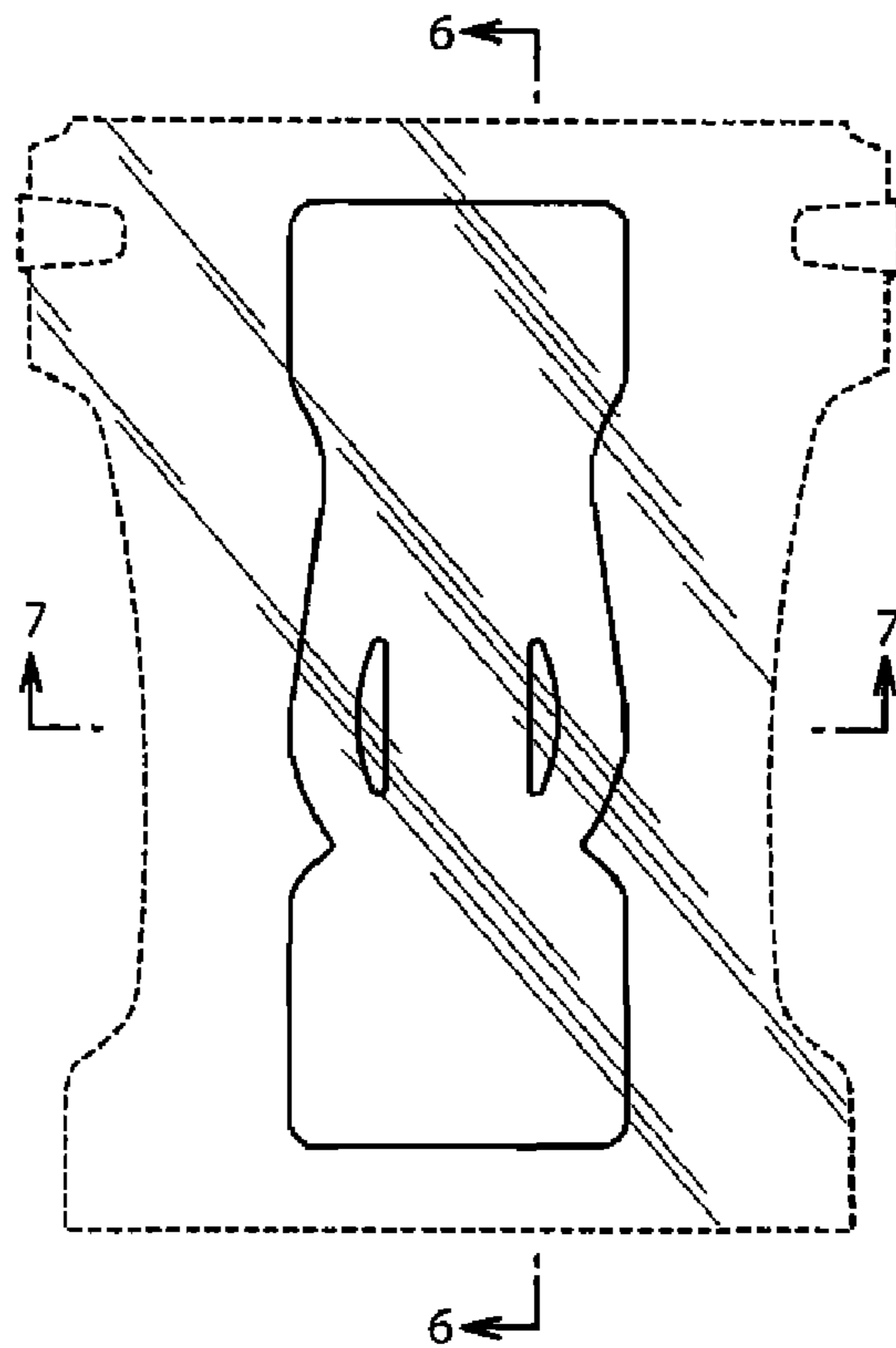


Fig. 2

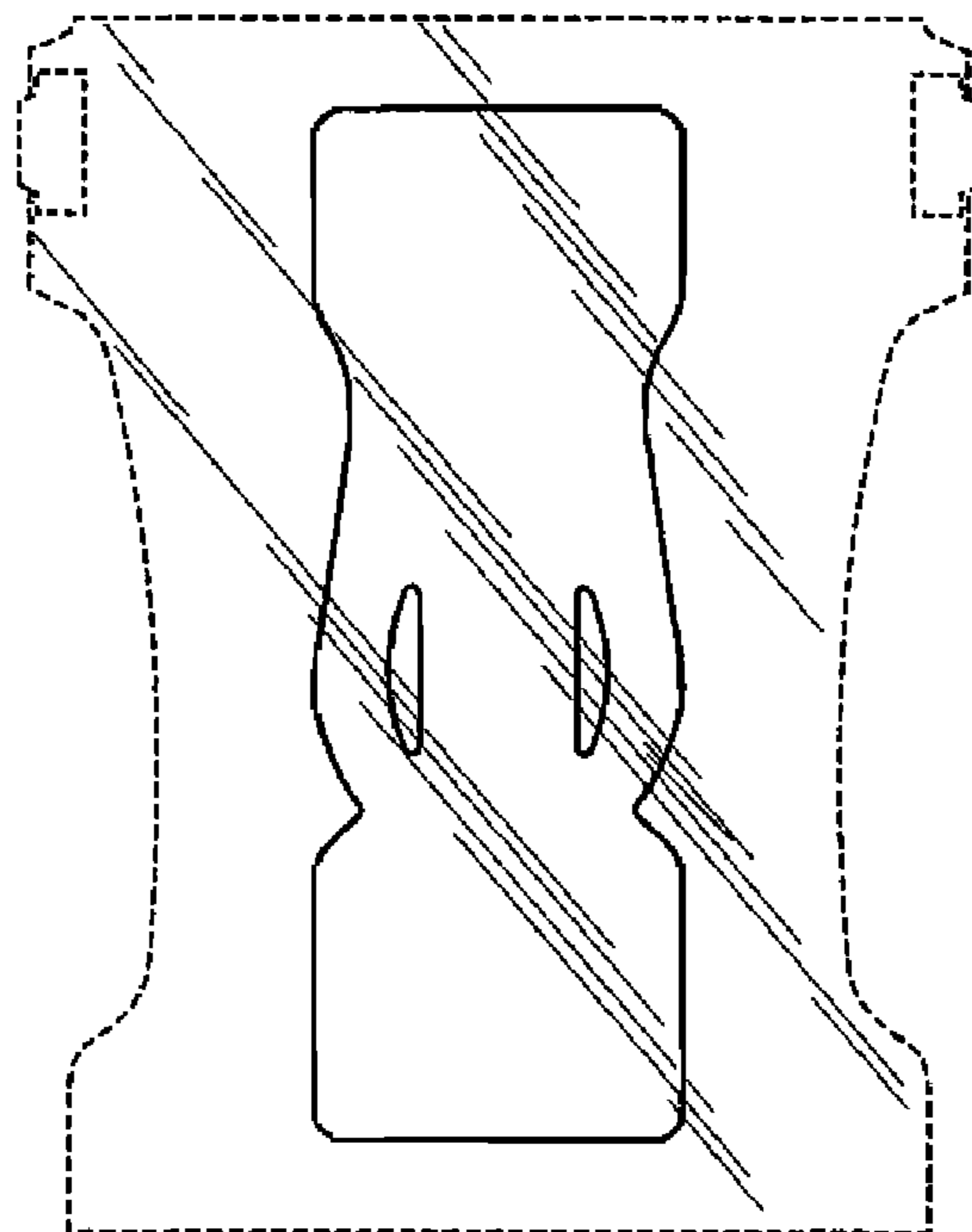


Fig. 3

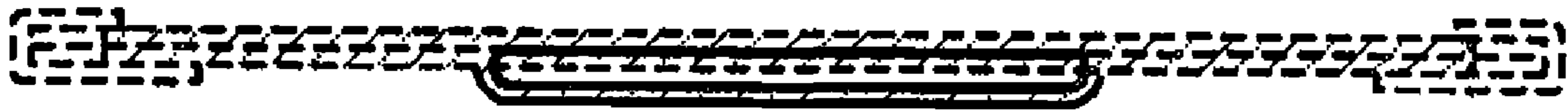


Fig. 4

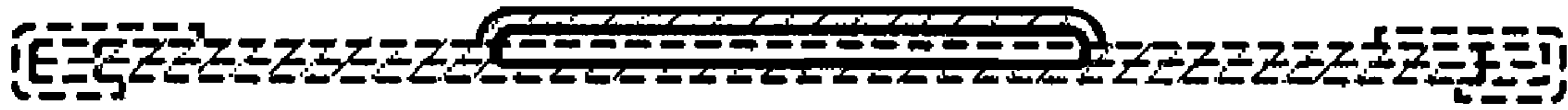


Fig. 7



Fig. 5



Fig. 6

