



US00D572816S

(12) **United States Design Patent**  
**Lang et al.**

(10) **Patent No.:** **US D572,816 S**  
(45) **Date of Patent:** **\*\* Jul. 8, 2008**

(54) **CUSHION FOR BREATHING MASK**

(75) Inventors: **Bernd Christoph Lang**, Grafelfing (DE); **Achim Biener**, Munich (DE)

(73) Assignee: **MAP Medizin-Technologie GmbH**, Martinsried (DE)

(\*\*) Term: **14 Years**

(21) Appl. No.: **29/239,063**

(22) Filed: **Sep. 27, 2005**

6,532,961 B1 3/2003 Kwok  
6,561,190 B1 5/2003 Kwok  
6,581,594 B1 6/2003 Drew et al.  
6,581,602 B2 6/2003 Kwok et al.  
D484,237 S 12/2003 Lang et al.

(Continued)

**FOREIGN PATENT DOCUMENTS**

DE 100 45 183 5/2002  
WO WO 99/58181 11/1999  
WO WO 01/97892 12/2001

**OTHER PUBLICATIONS**

U.S. Appl. No. 29/204,104, filed Apr. 2004, Guney et al.  
U.S. Appl. No. 29/207,546, filed Jun. 2004, Fu et al.  
U.S. Appl. No. 29/219,617, filed Dec. 2004, Lang et al.

*Primary Examiner*—Ian Simmons  
*Assistant Examiner*—Christopher Lee  
(74) *Attorney, Agent, or Firm*—Nixon & Vanderhye P.C.

**Related U.S. Application Data**

(60) Continuation of application No. 29/219,617, filed on Dec. 21, 2004, now Pat. No. Des. 515,698, which is a continuation of application No. 29/190,511, filed on Sep. 23, 2003, now Pat. No. Des. 502,260, which is a division of application No. 29/163,978, filed on Jul. 17, 2002, now Pat. No. Des. 484,237.

**Foreign Application Priority Data**

(30) Jan. 17, 2002 (DE) ..... 40200458

(51) **LOC (8) Cl.** ..... **29-02**

(52) **U.S. Cl.** ..... **D24/110.1; D24/110.4**

(58) **Field of Classification Search** ..... D24/110.1, D24/110.4, 110.5, 164; 128/207.11, 207.17, 128/206.26, 206.24, 205.25, 204.11, 207.13  
See application file for complete search history.

**References Cited**

**U.S. PATENT DOCUMENTS**

D322,318 S 12/1991 Sullivan  
D402,755 S 12/1998 Kwok  
6,044,844 A 4/2000 Kwok et al.  
D428,987 S 8/2000 Kwok  
D439,326 S 3/2001 Hecker et al.  
D443,355 S 6/2001 Gunaratnam et al.  
D458,365 S 6/2002 Kopacko et al.  
D468,823 S 1/2003 Smart

(57) **CLAIM**

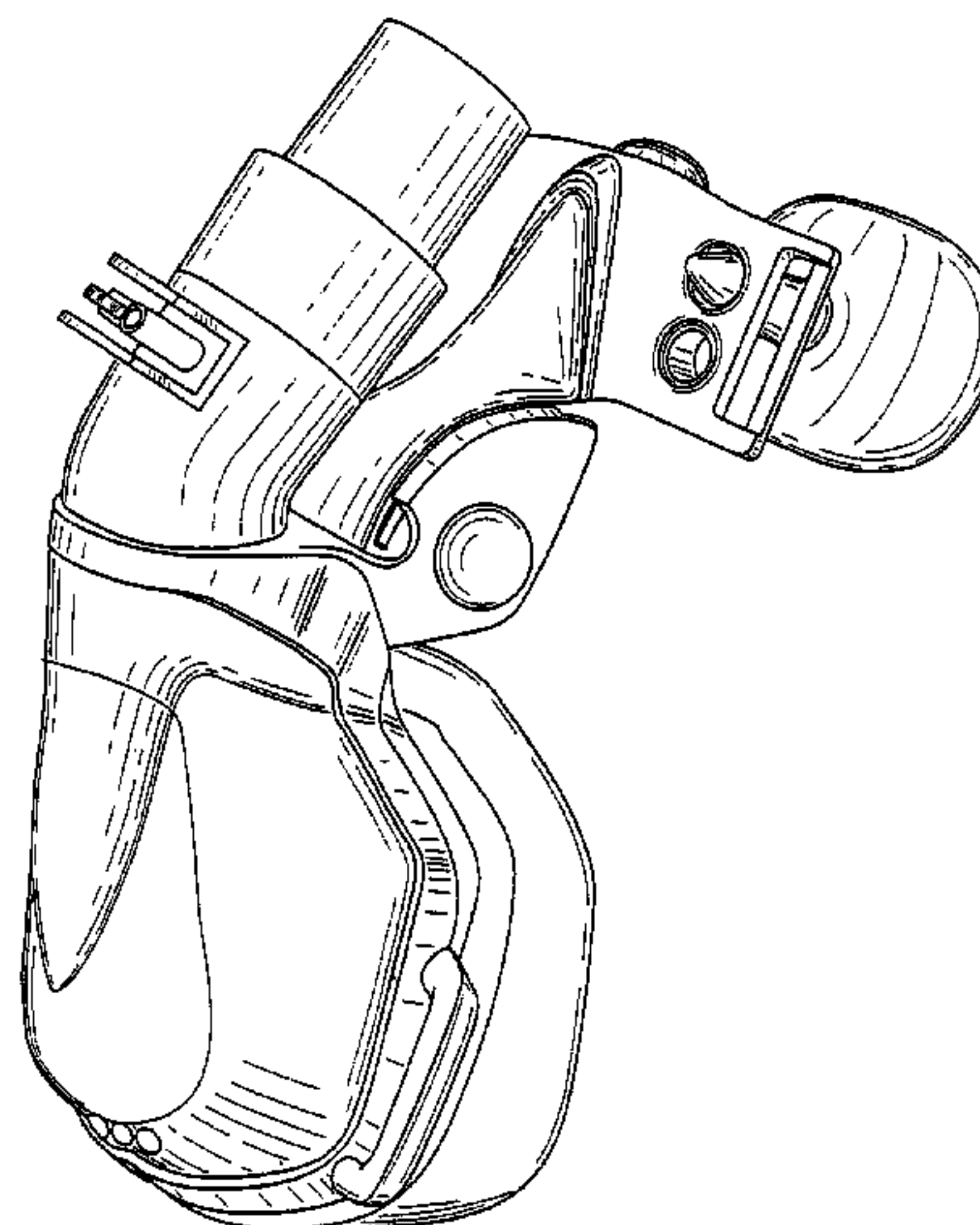
The ornamental design for a cushion for a breathing mask, as shown.

**DESCRIPTION**

FIG. 1 is a perspective view of a cushion according to an embodiment of the present invention;  
FIG. 2 is a rear view thereof;  
FIG. 3 is a front view thereof;  
FIG. 4 is a right view thereof;  
FIG. 5 is a left view thereof;  
FIG. 6 is a top view thereof; and,  
FIG. 7 is a bottom view thereof.

Throughout the various figures of the drawings, certain views may not be provided. The omission of a particular view is intended to convey that the element(s) depicted is/are plain and/or unornamented in that view.

**1 Claim, 7 Drawing Sheets**



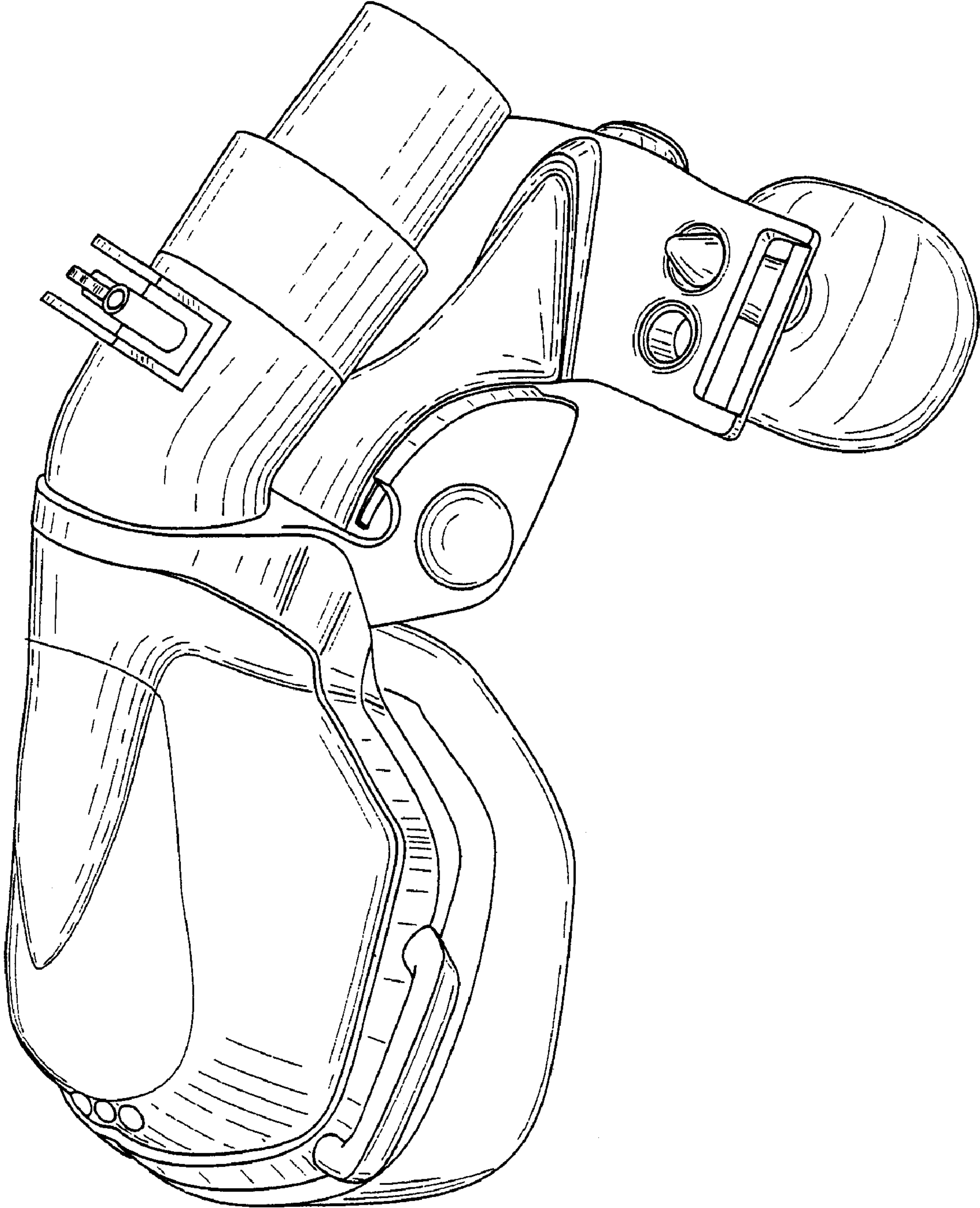
# US D572,816 S

Page 2

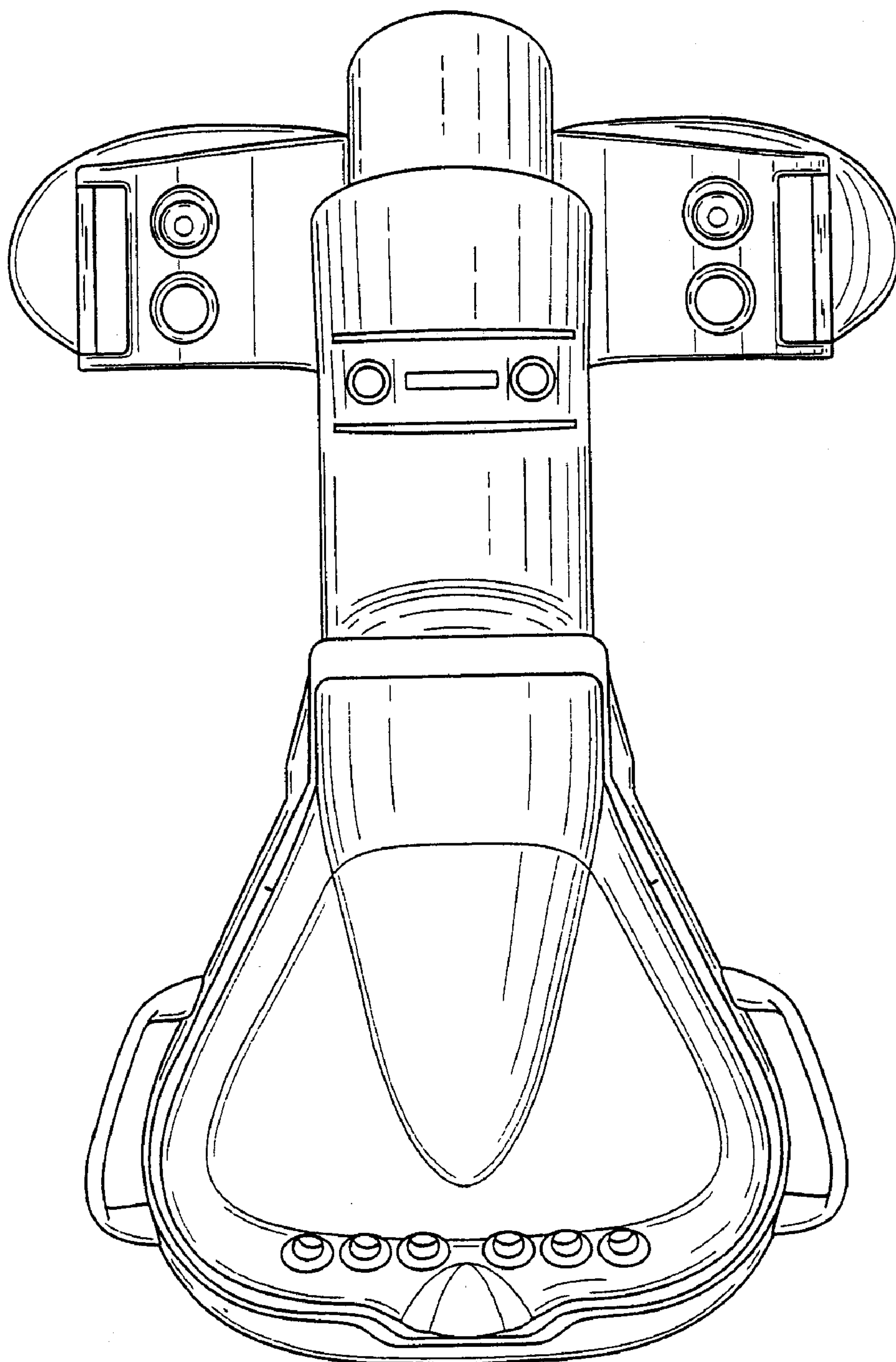
---

## U.S. PATENT DOCUMENTS

6,679,261 B2	1/2004	Lithgow et al.	2003/0062048 A1	4/2003	Gradon et al.
D486,227 S	2/2004	Fu et al.	2003/0075180 A1	4/2003	Raje et al.
D493,522 S	7/2004	Fu et al.	2003/0089373 A1	5/2003	Gradon et al.
D502,260 S	2/2005	Lang et al.	2004/0045550 A1	3/2004	Lang et al.
2003/0034034 A1	2/2003	Kwok et al.	2004/0094157 A1	5/2004	Dantanarayana et al.
			2004/0112387 A1	6/2004	Lang et al.
			2005/0011522 A1	1/2005	Ho et al.

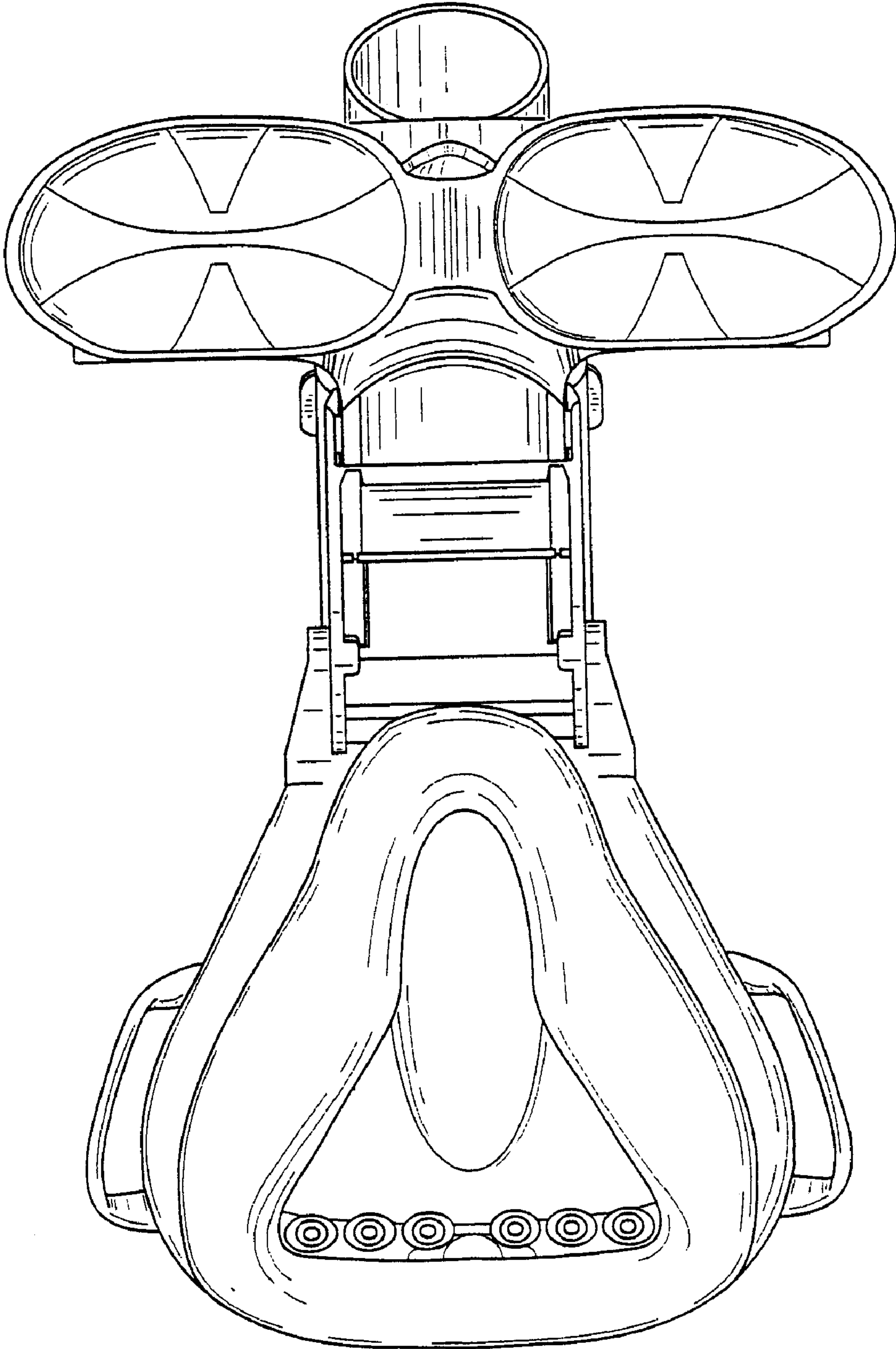


**FIG. 1**

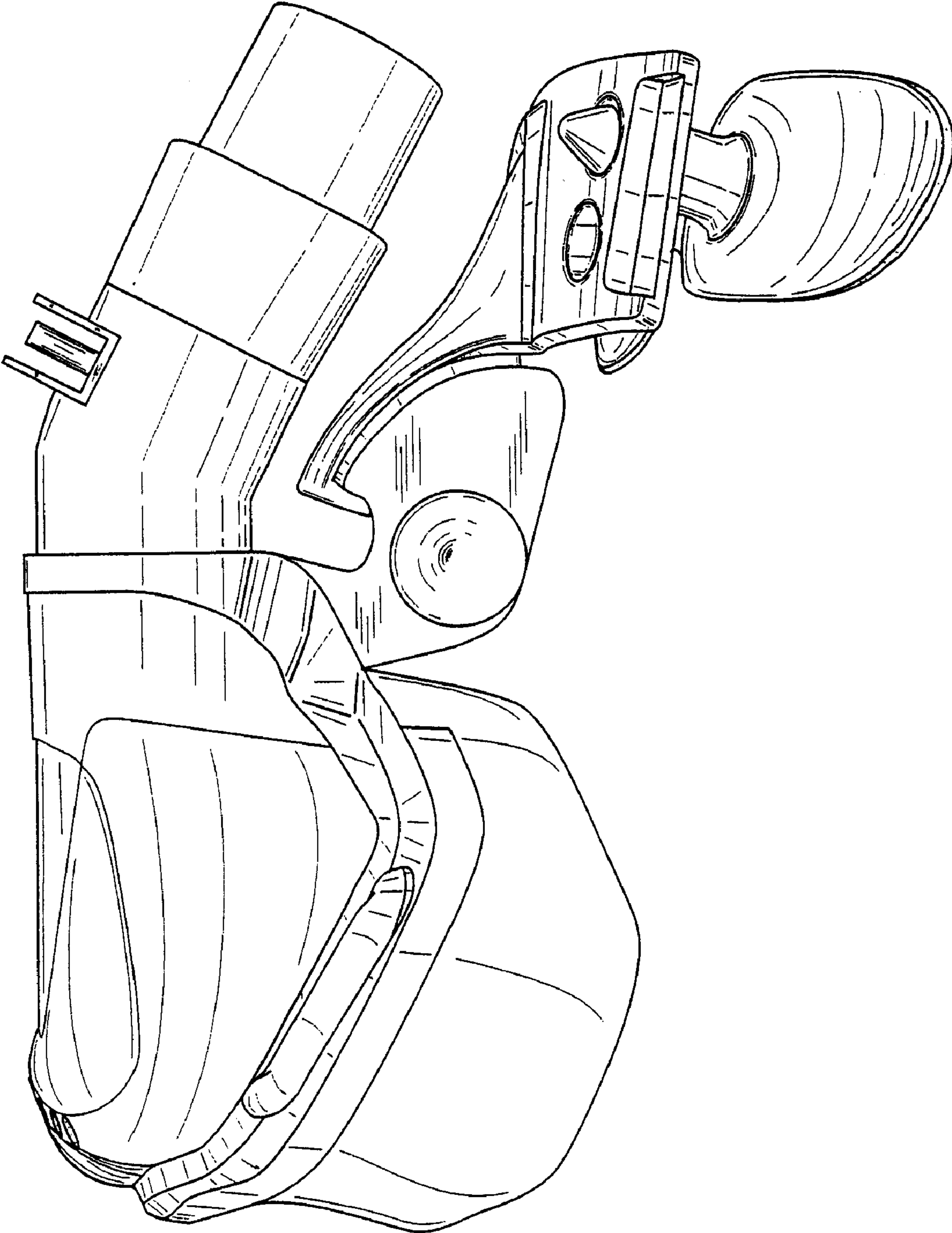


**FIG. 2**

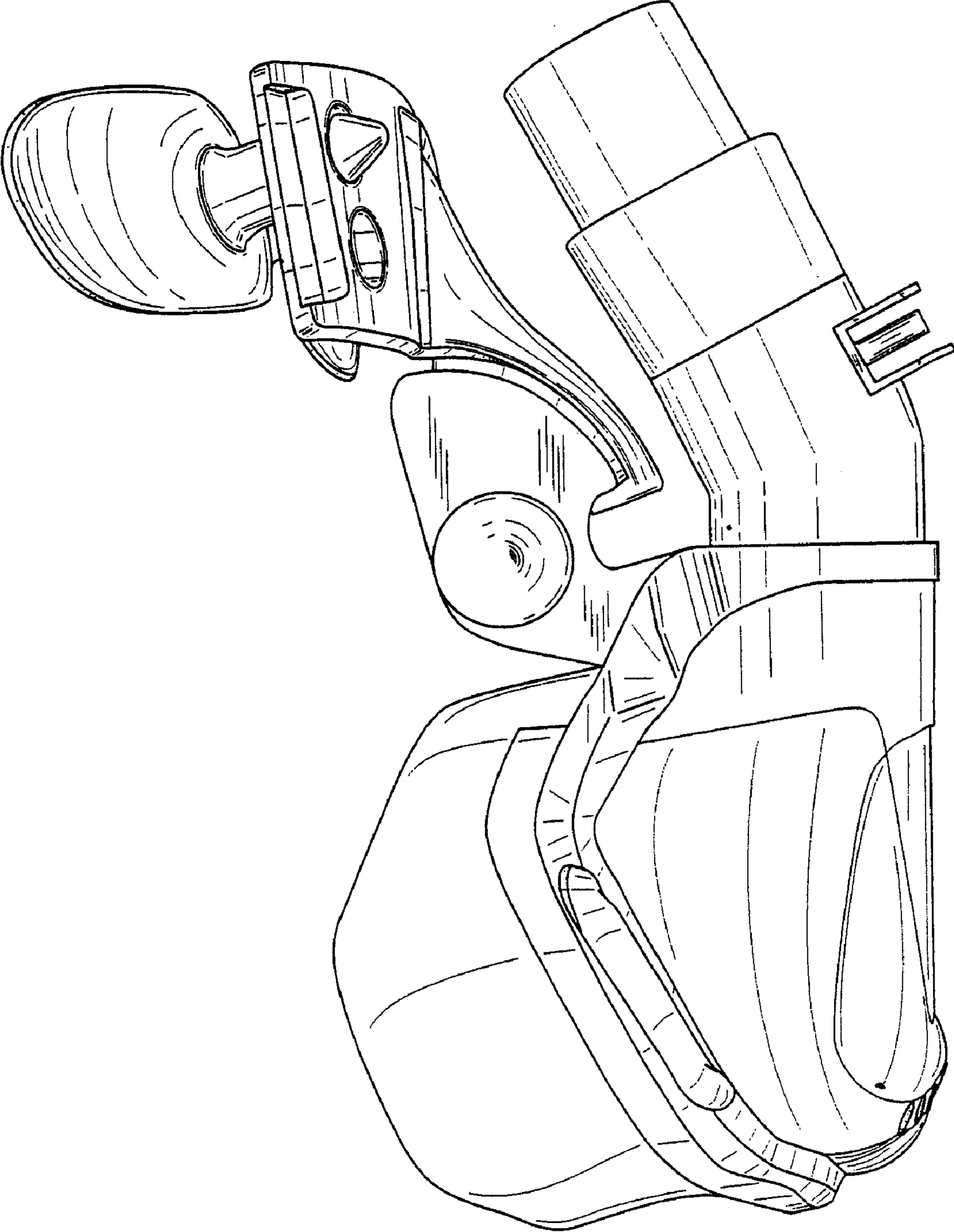




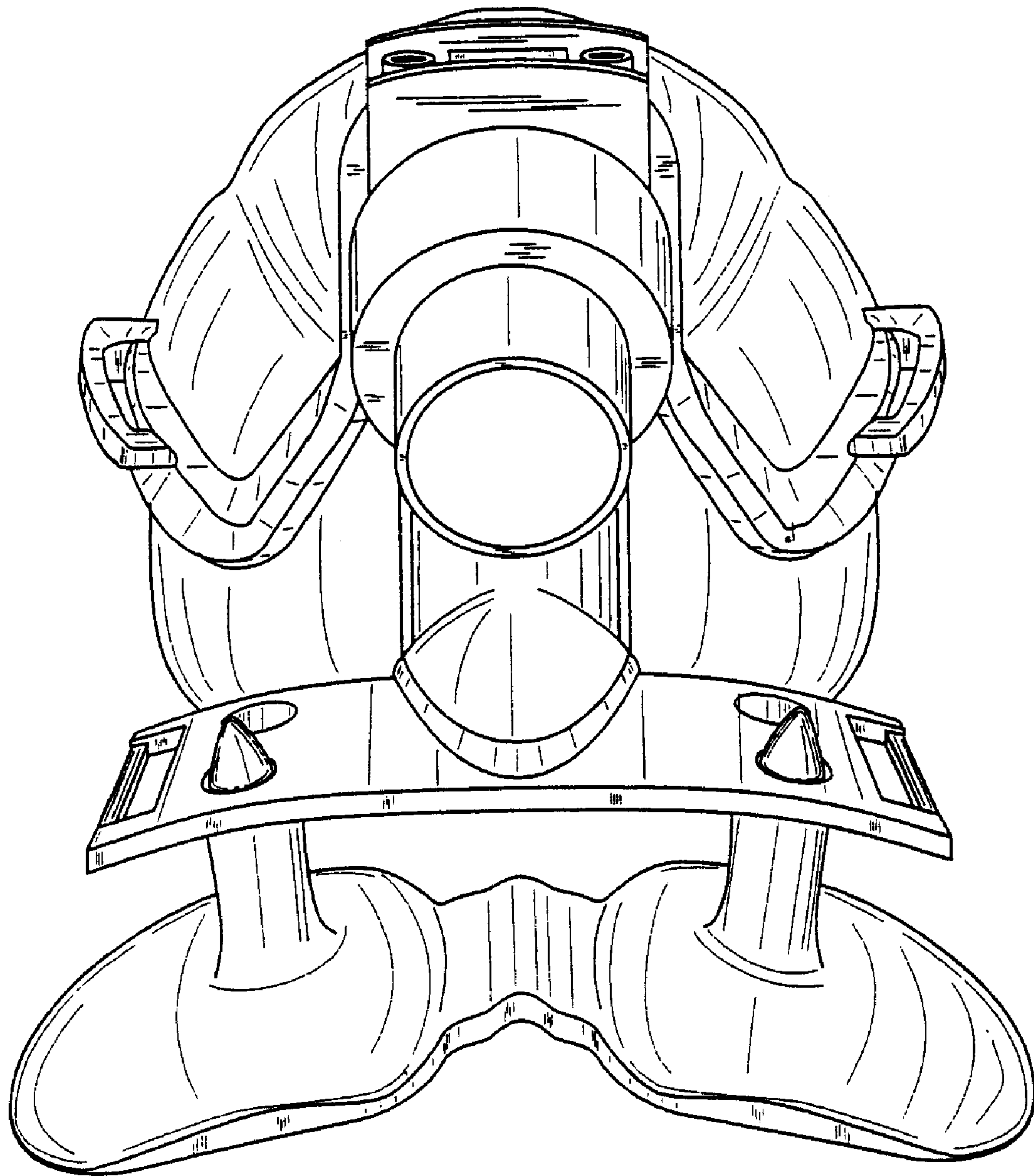
**FIG. 3**



**FIG. 4**

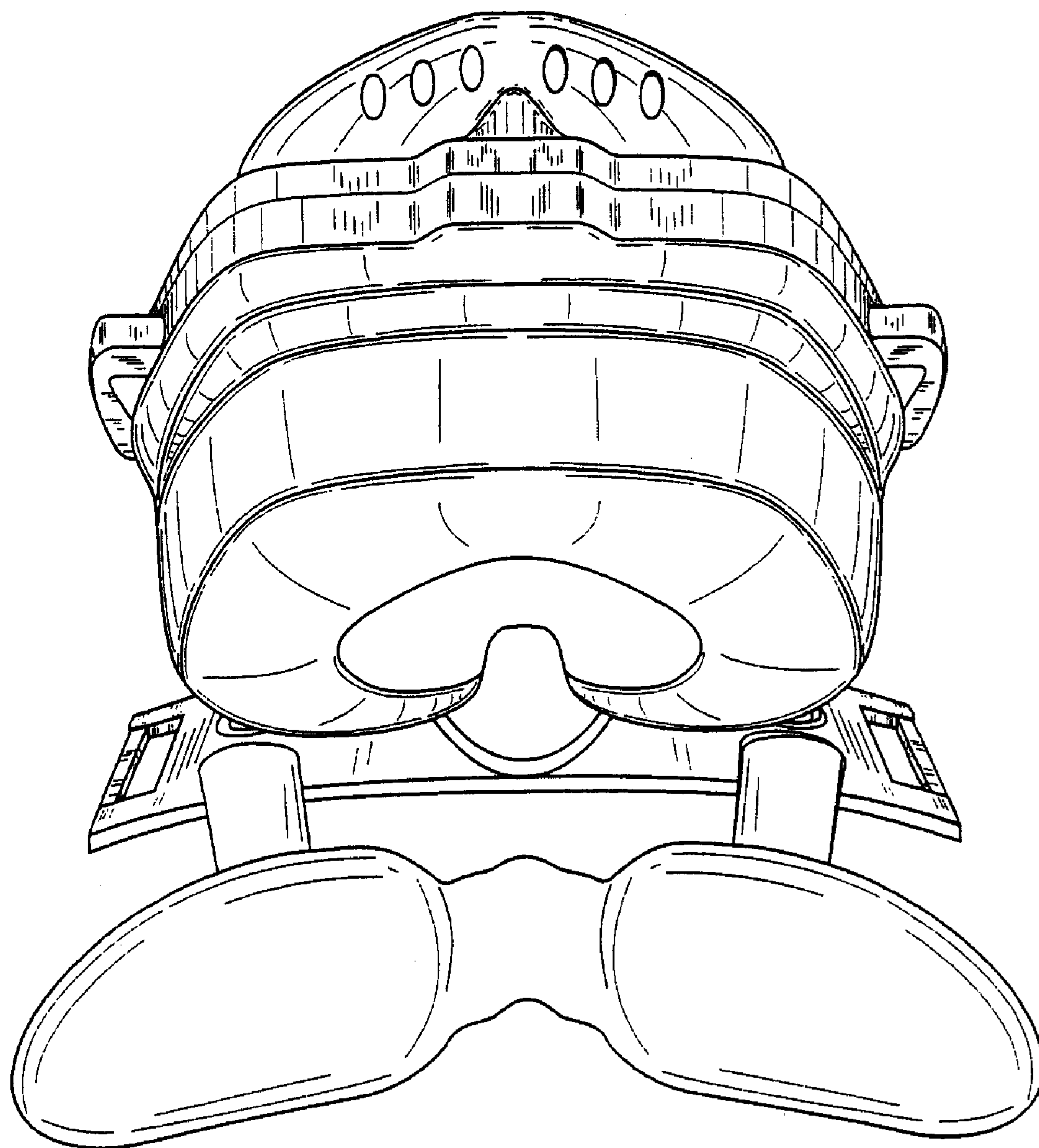


**FIG. 5**



**FIG. 6**





**FIG. 7**

UNITED STATES PATENT AND TRADEMARK OFFICE  
**CERTIFICATE OF CORRECTION**

PATENT NO. : Des. 572,816 S  
APPLICATION NO. : 29/239063  
DATED : July 8, 2008  
INVENTOR(S) : Bernd Christoph Lang et al.

Page 1 of 8

It is certified that error appears in the above-identified patent and that said Letters Patent is hereby corrected as shown below:

The title page should be deleted and substitute therefor the attached title page as shown on the attached page.

**Drawings:**

Delete the drawing sheets 1-7 and substitute therefor the drawing sheets consisting of Figs. 1-7 as shown on the attached pages.

Signed and Sealed this

Twenty-fourth Day of March, 2009



JOHN DOLL  
*Acting Director of the United States Patent and Trademark Office*

(12) **United States Design Patent**  
Lang et al.

(10) Patent No.: **US D572,816 S**  
(45) Date of Patent: **\*\* Jul. 8, 2008**

(54) **CUSHION FOR BREATHING MASK**

6,532,961 B1 3/2003 Kwok  
6,561,190 B1 5/2003 Kwok  
6,581,594 B1 6/2003 Drew et al.  
6,581,602 B2 6/2003 Kwok et al.  
D484,237 S 12/2003 Lang et al.

(75) Inventors: **Bernd Christoph Lang**, Grafelfing (DE); **Achim Biener**, Munich (DE)

(73) Assignee: **MAP Medizin-Technologie GmbH**, Martinsried (DE)

(Continued)

(\*\*) Term: **14 Years**

(21) Appl. No.: **29/239,063**

(22) Filed: **Sep. 27, 2005**

**Related U.S. Application Data**

(60) Continuation of application No. 29/219,617, filed on Dec. 21, 2004, now Pat. No. Des. 515,698, which is a continuation of application No. 29/190,511, filed on Sep. 23, 2003, now Pat. No. Des. 502,260, which is a division of application No. 29/163,978, filed on Jul. 17, 2002, now Pat. No. Des. 484,237.

**Foreign Application Priority Data**

(30) Jan. 17, 2002 (DE) ..... 40200458

(51) **LOC (8) Cl.** ..... **29-02**

(52) **U.S. Cl.** ..... **D24/110.1; D24/110.4**

(58) **Field of Classification Search** ..... **D24/110.1, D24/110.4, 110.5, 164; 128/207.11, 207.17, 128/206.26, 206.24, 205.25, 204.11, 207.13**  
See application file for complete search history.

**References Cited**

**U.S. PATENT DOCUMENTS**

D322,318 S 12/1991 Sullivan  
D402,755 S 12/1998 Kwok  
6,044,844 A 4/2000 Kwok et al.  
D428,987 S 8/2000 Kwok  
D439,326 S 3/2001 Hecker et al.  
D443,355 S 6/2001 Gunaratnam et al.  
D458,365 S 6/2002 Kopacko et al.  
D468,823 S 1/2003 Smart

**FOREIGN PATENT DOCUMENTS**

DE 100 45 183 5/2002  
WO WO 99/58181 11/1999  
WO WO 01/97892 12/2001

**OTHER PUBLICATIONS**

U.S. Appl. No. 29/204,104, filed Apr. 2004, Guney et al.  
U.S. Appl. No. 29/207,546, filed Jun. 2004, Fu et al.  
U.S. Appl. No. 29/219,617, filed Dec. 2004, Lang et al.

*Primary Examiner*—Ian Simmons  
*Assistant Examiner*—Christopher Lee  
(74) *Attorney, Agent, or Firm*—Nixon & Vanderhye P.C.

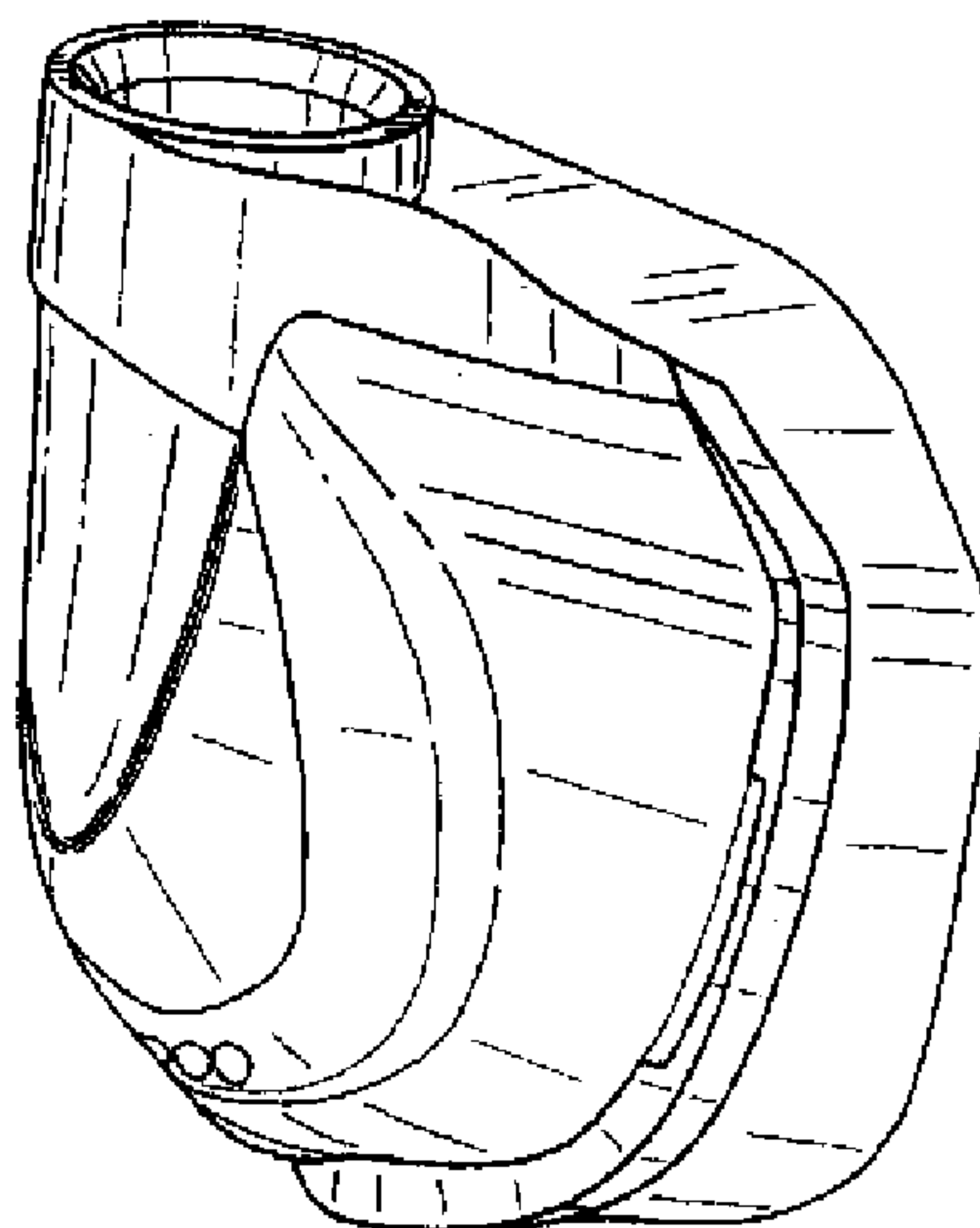
**CLAIM**

(57) The ornamental design for a cushion for a breathing mask, as shown.

**DESCRIPTION**

FIG. 1 is a perspective view of a cushion according to an embodiment of the present invention;  
FIG. 2 is a rear view thereof;  
FIG. 3 is a front view thereof;  
FIG. 4 is a right view thereof;  
FIG. 5 is a left view thereof;  
FIG. 6 is a top view thereof; and,  
FIG. 7 is a bottom view thereof.  
Throughout the various figures of the drawings, certain views may not be provided. The omission of a particular view is intended to convey that the element(s) depicted is/are plain and/or unornamented in that view.

**1 Claim, 7 Drawing Sheets**

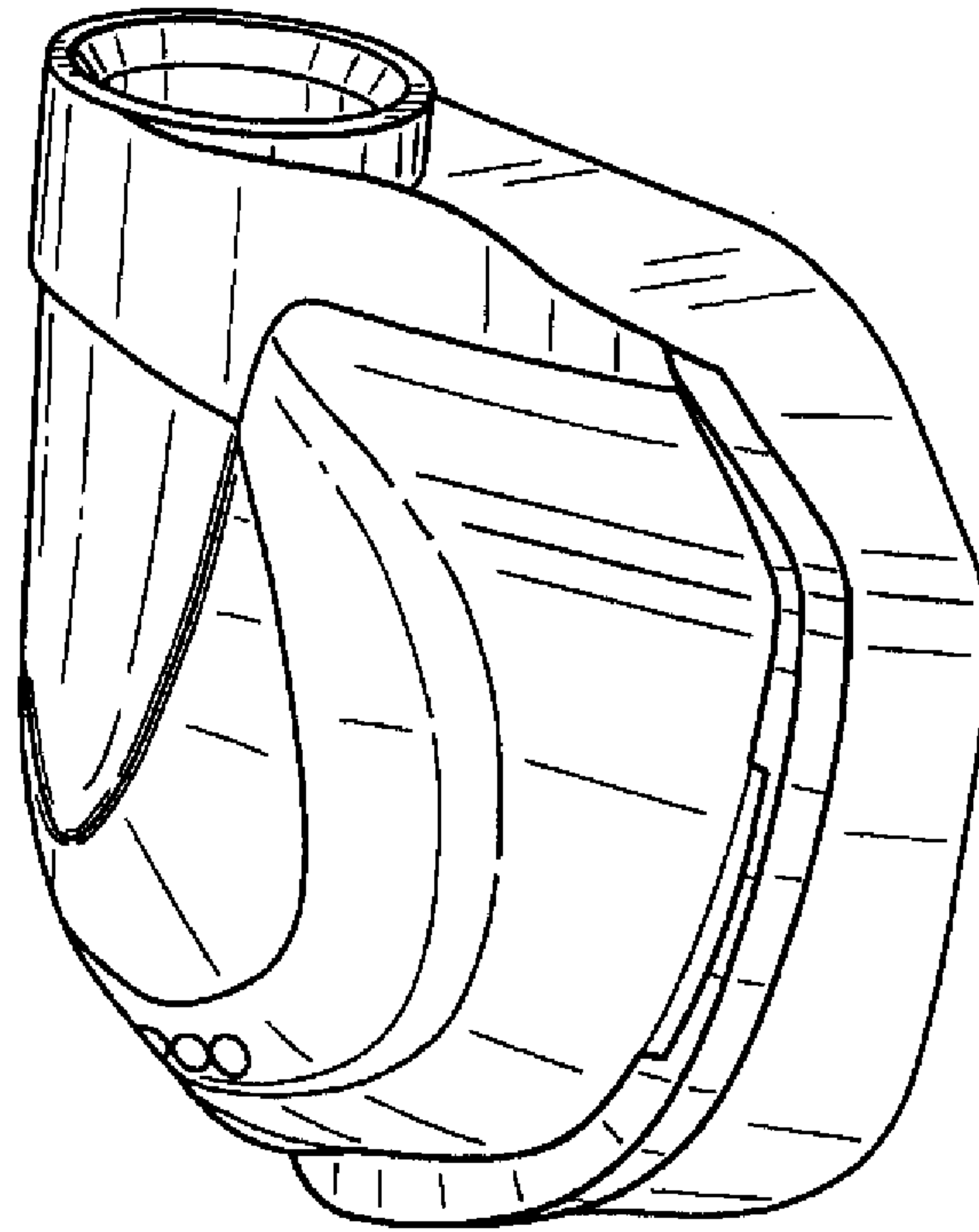


**U.S. Patent**

**Jul. 8, 2008**

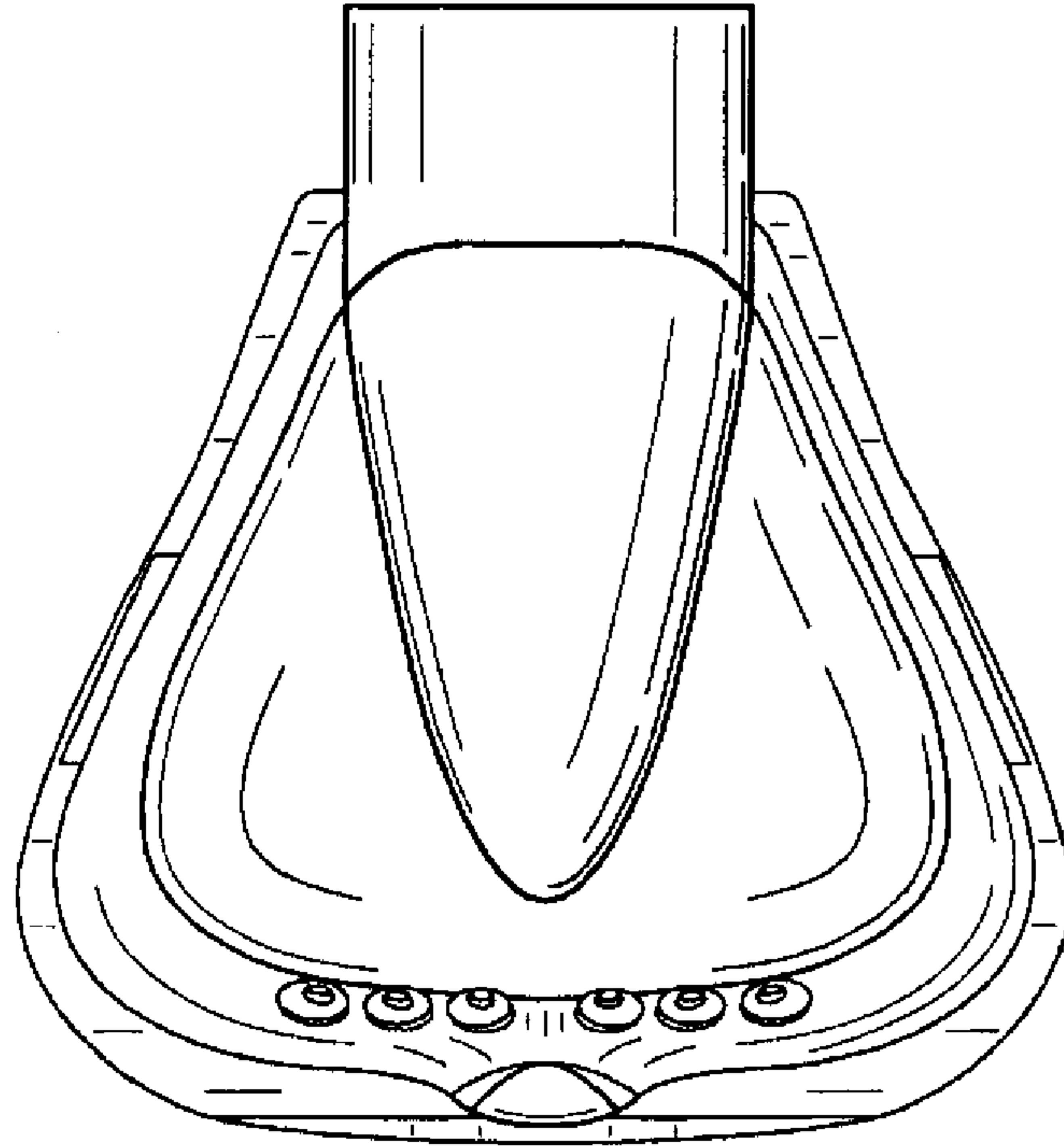
**Sheet 1 of 6**

**D572,816 S**

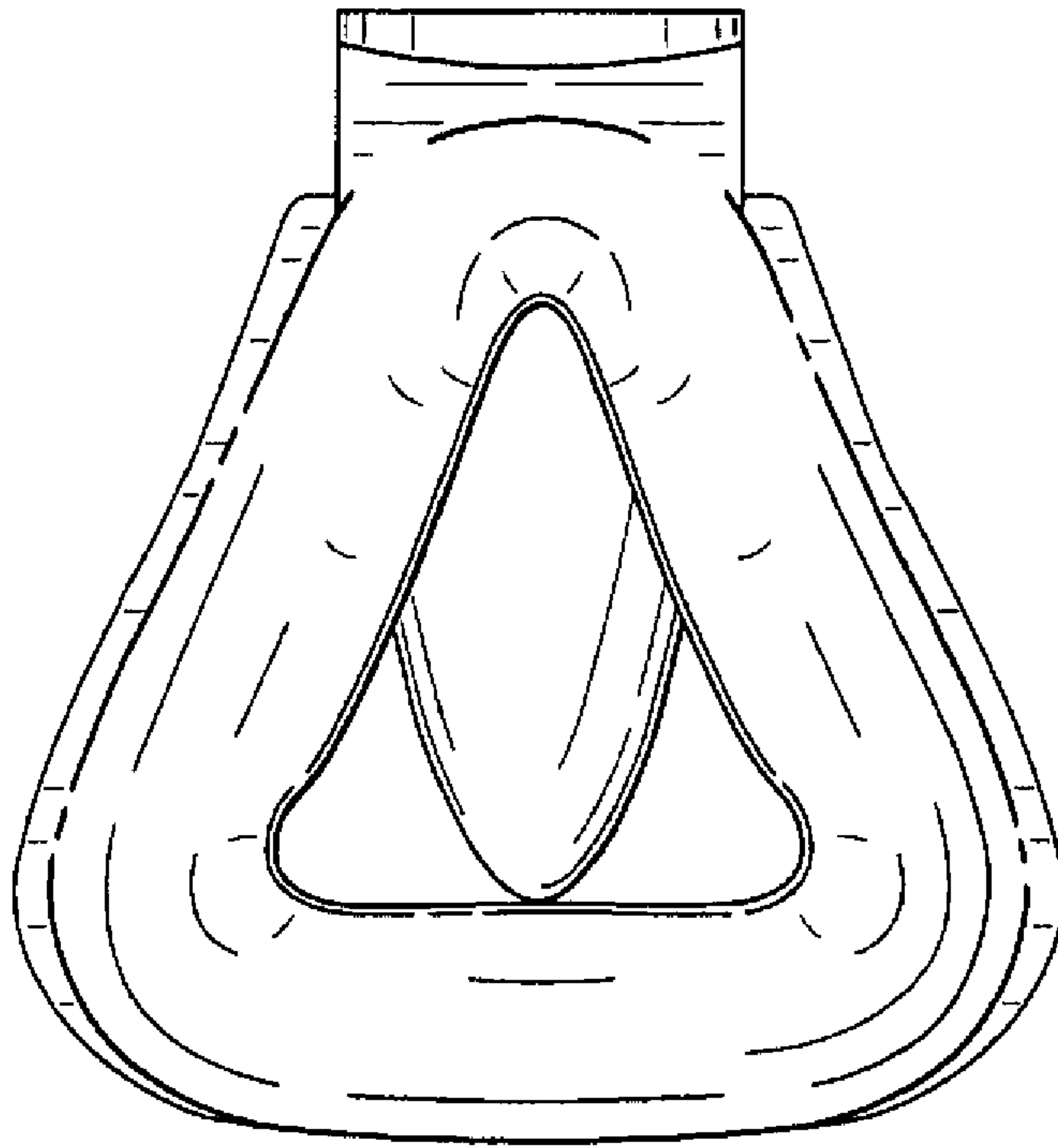


*Fig. 1*

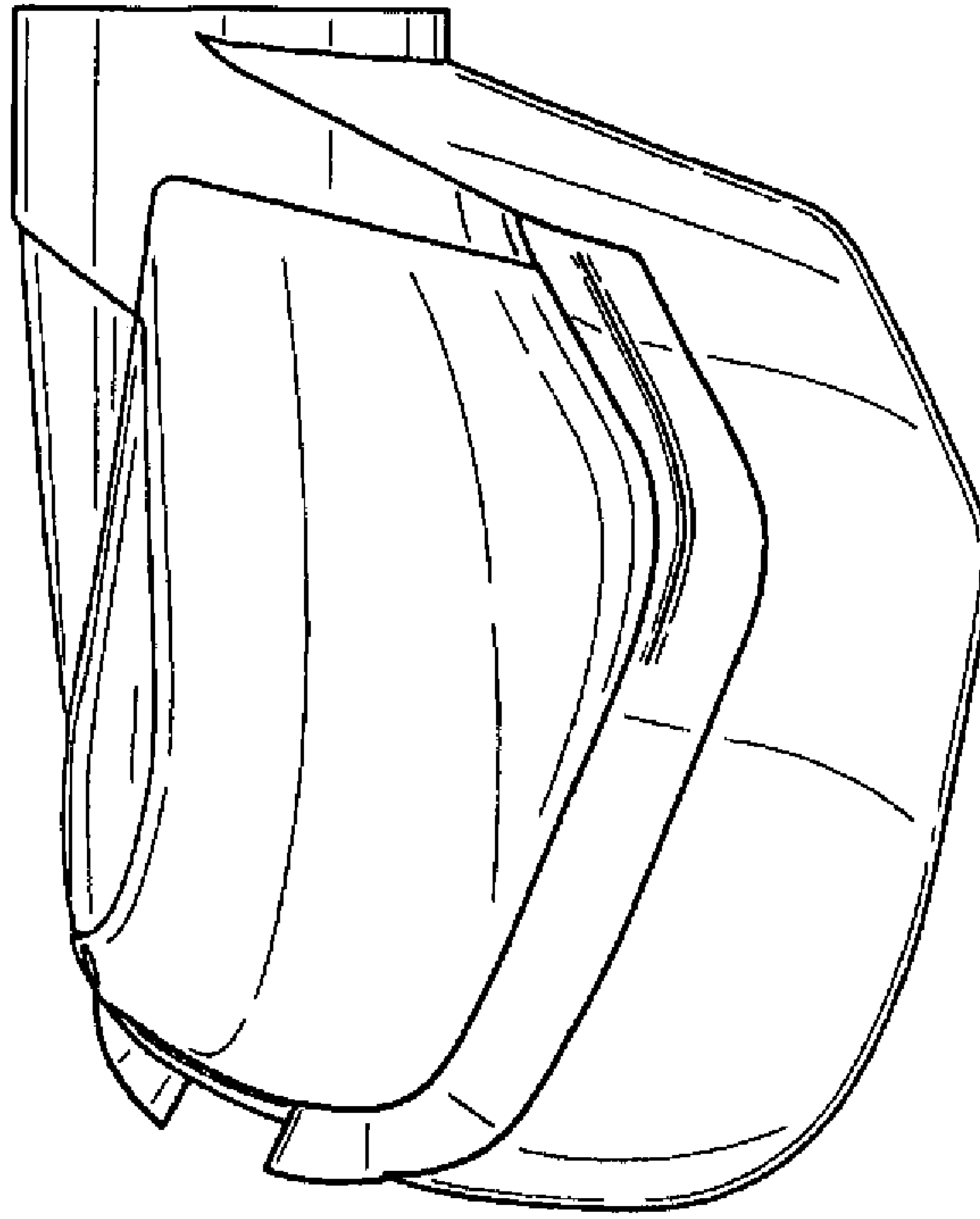




*Fig. 2*



*Fig. 3*



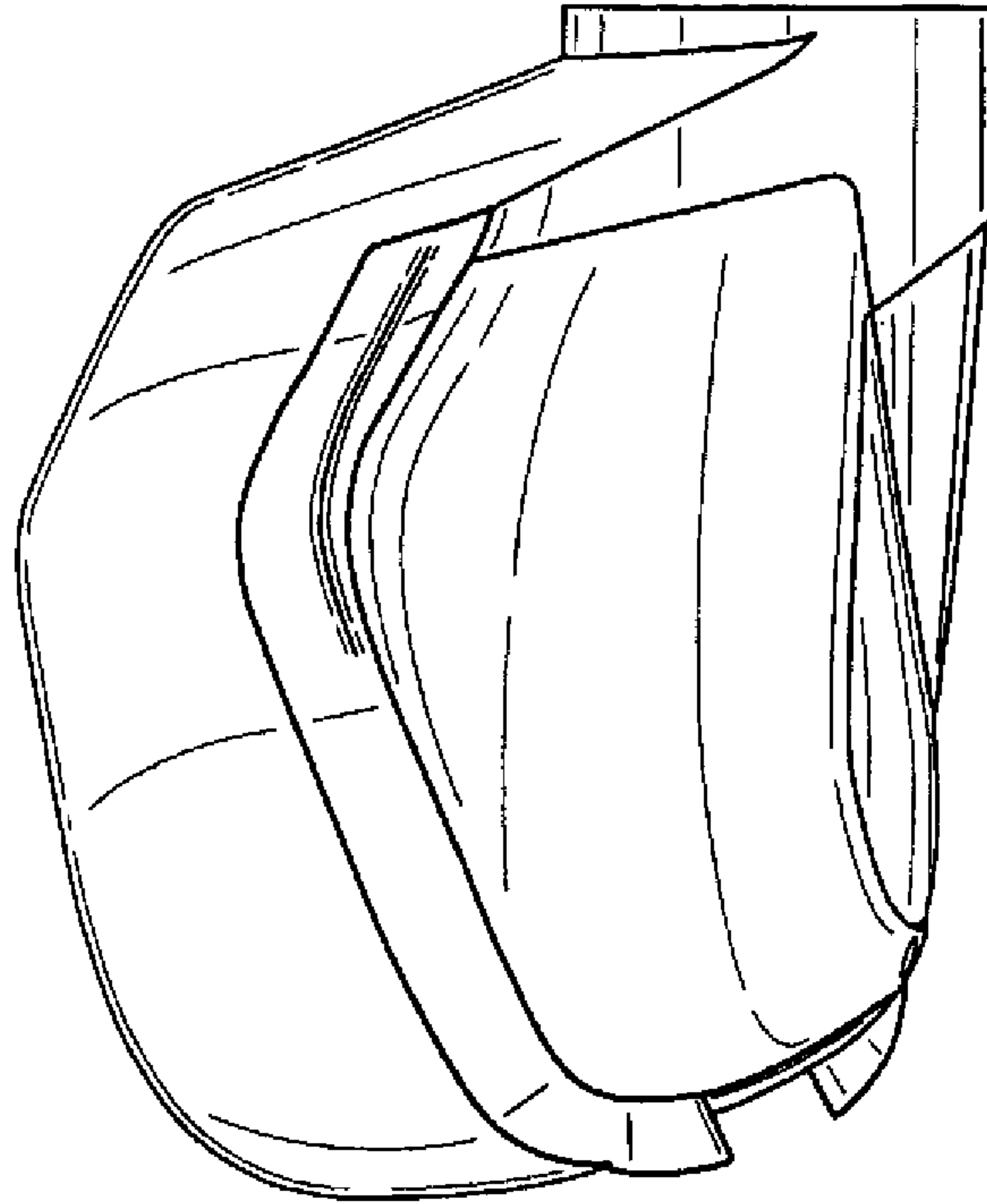
*Fig. 4*

**U.S. Patent**

**Jul. 8, 2008**

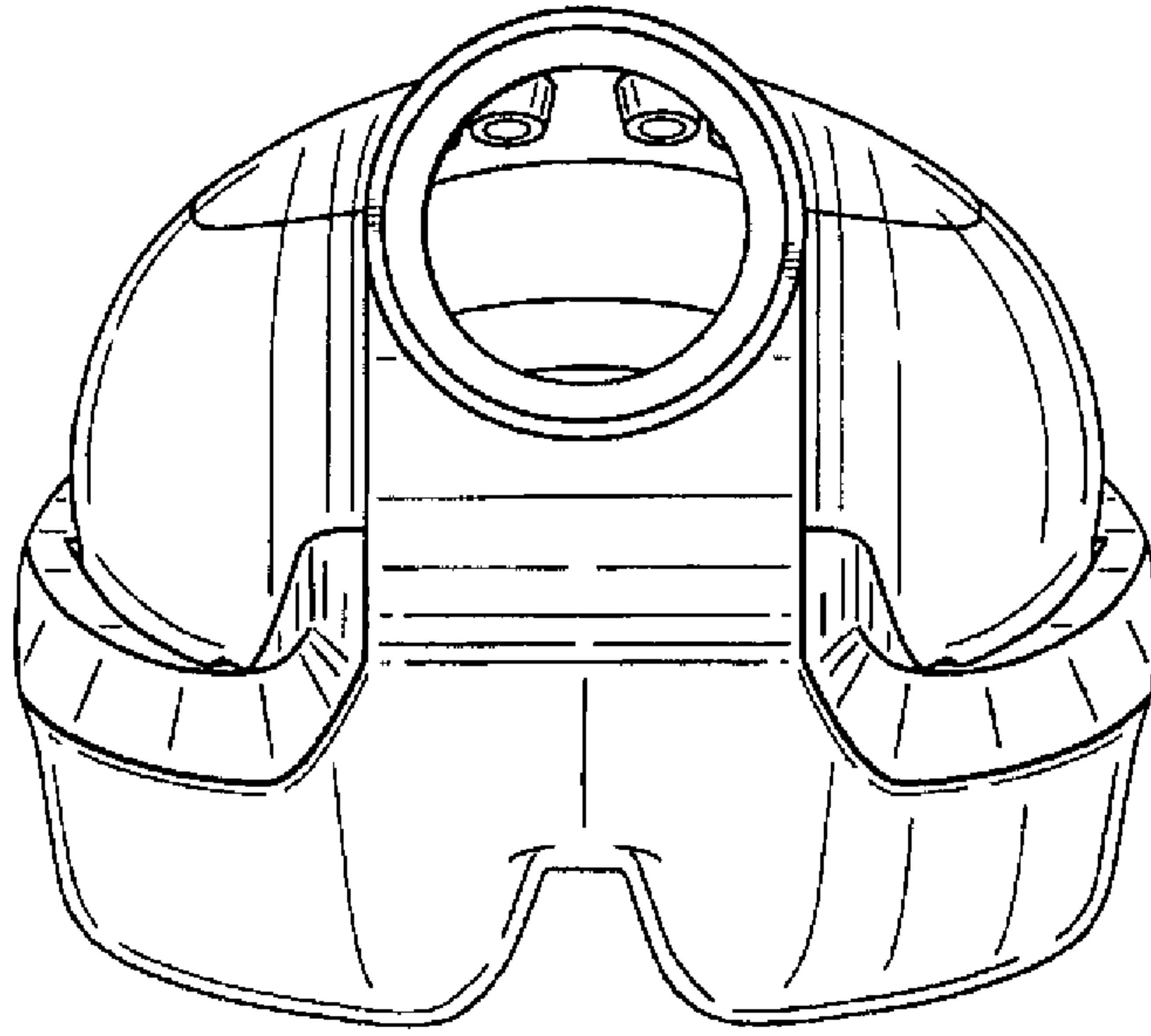
**Sheet 5 of 6**

**D572,816 S**

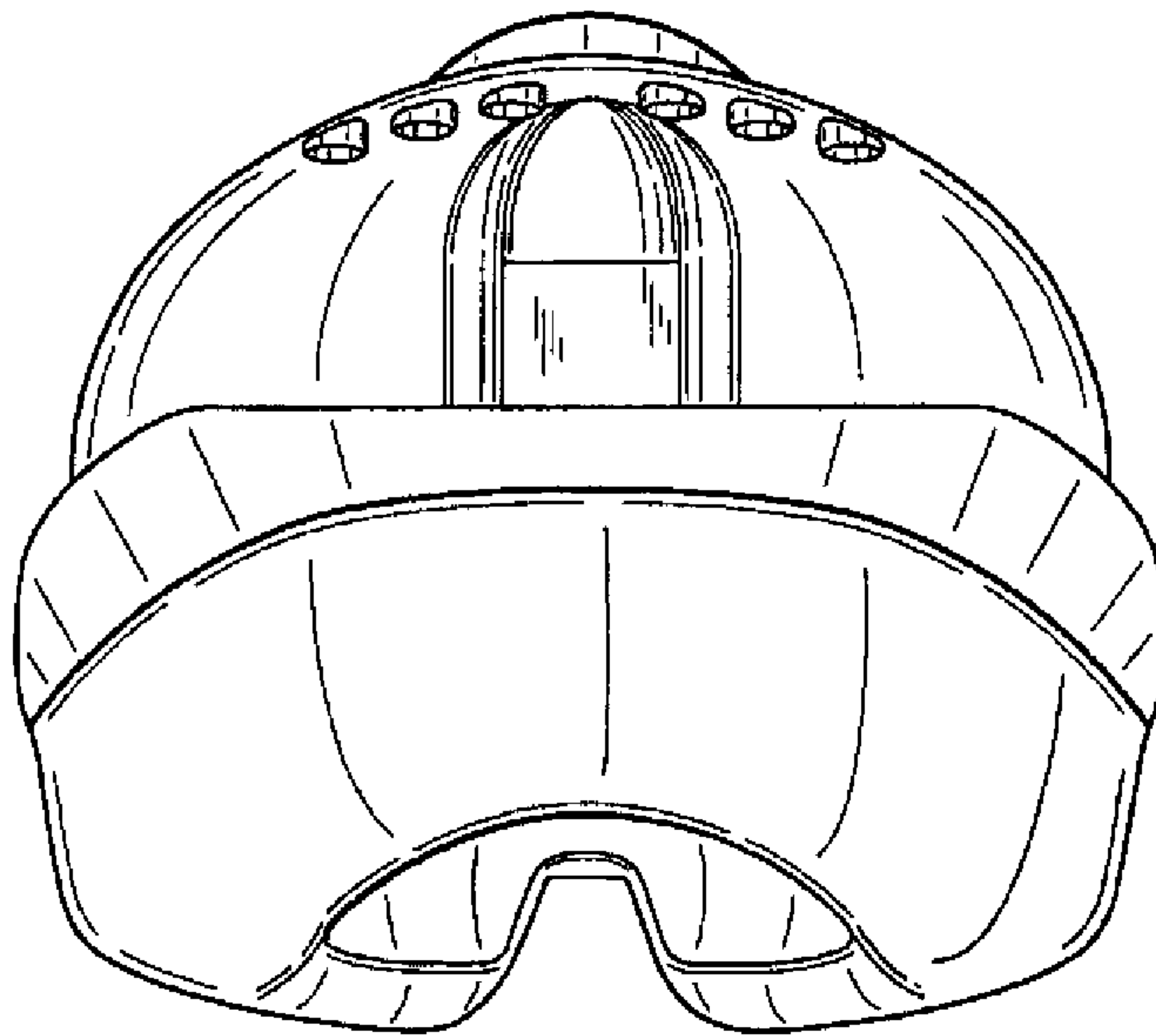


*Fig. 5*





*Fig. 6*



*Fig. 7*