

US00D572815S

(12) **United States Design Patent**
Hidalgo

(10) **Patent No.:** **US D572,815 S**
(45) **Date of Patent:** **** Jul. 8, 2008**

(54) **CEILING FAN BLADE IRON**

(75) Inventor: **Rolando Hidalgo**, Orange, CA (US)

(73) Assignee: **Minka Lighting, Inc.**, Corona, CA (US)

(**) Term: **14 Years**

(21) Appl. No.: **29/299,202**

(22) Filed: **Dec. 20, 2007**

(51) **LOC (8) Cl.** **23-04**

(52) **U.S. Cl.** **D23/411**

(58) **Field of Classification Search** D23/377,
D23/379, 385, 411, 413; 416/5

See application file for complete search history.

(56) **References Cited**

U.S. PATENT DOCUMENTS

D527,452 S 8/2006 Hidalgo
D527,453 S 8/2006 Hidalgo
D530,005 S * 10/2006 Cox D23/411

OTHER PUBLICATIONS

Hunter Internet Catalog; Charmaine; Model #28194; printed from www.hansenwhole.com on Apr. 25, 2007.

Emerson Internet Catalog; Athenian; Model #CF2400PW; printed from www.hansenwhole.com on Apr. 25, 2007.

Emerson Internet Catalog; Contours; Model #KF140TZ; printed from www.hansenwhole.com on Apr. 25, 2007.

Casa Vieja Internet Catalog; Heirloom Mission; Model #44814; printed from www.lampsplus.com on Aug. 1, 2007.

Hampton Bay Internet Catalog; Miramar; Model #AC374-BN; printed from www.homedepot.com on May 16, 2007.

* cited by examiner

Primary Examiner—Lisa Lichtenstein

(74) *Attorney, Agent, or Firm*—Baker & McKenzie LLP

(57) **CLAIM**

The ornamental design for a ceiling fan blade iron, as shown and described.

DESCRIPTION

FIG. 1 is a bottom perspective view of a ceiling fan blade iron showing my new design in use;

FIG. 2 is an enlarged bottom perspective view of the ceiling fan blade iron in accordance with my design;

FIG. 3 is an enlarged bottom plan view of the ceiling fan blade iron in accordance with my design;

FIG. 4 is an enlarged top plan view of the ceiling fan blade iron in accordance with my design;

FIG. 5 is an enlarged side elevation view of the ceiling fan blade iron in accordance with my design;

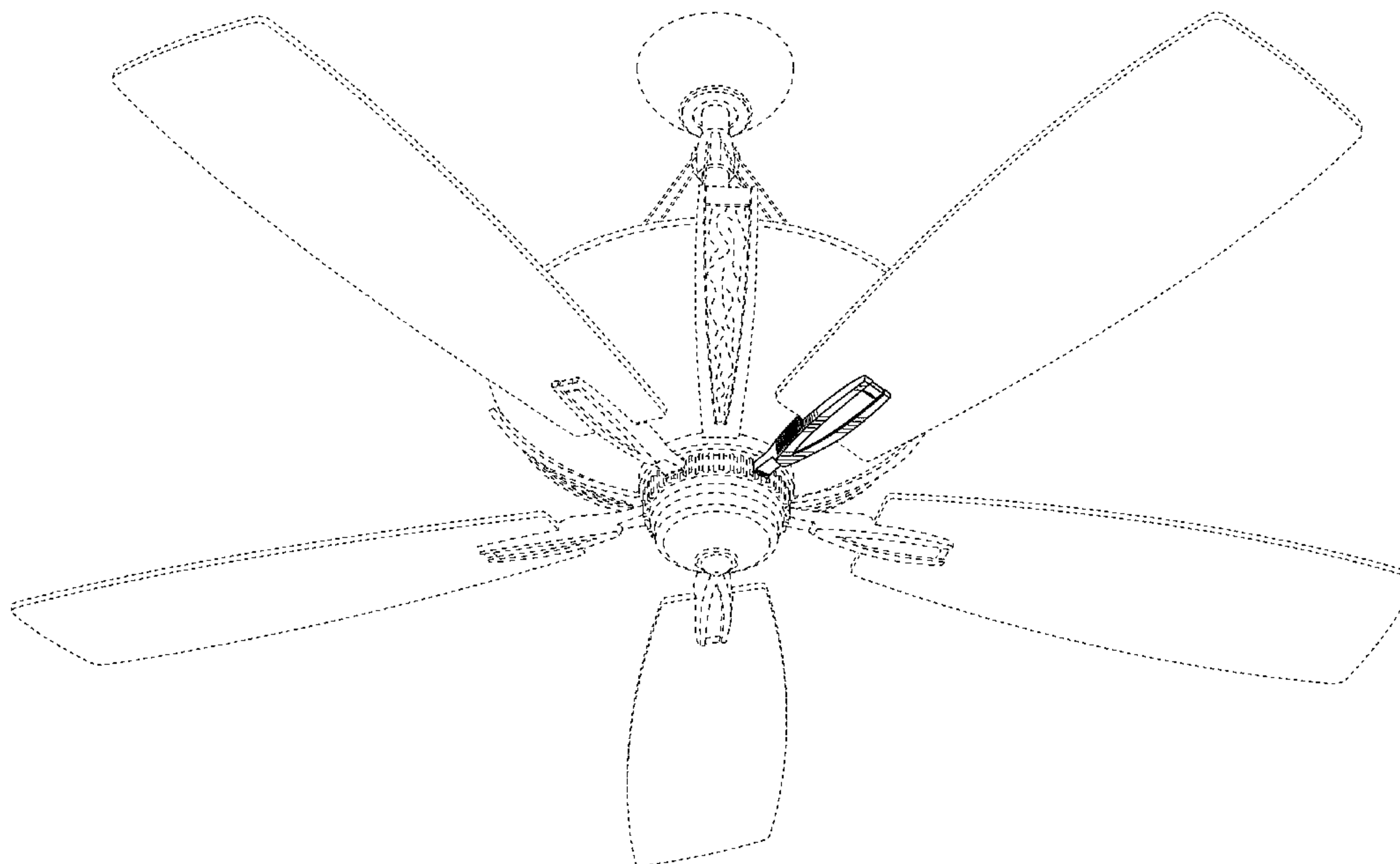
FIG. 6 is an enlarged opposite side elevation view of the ceiling fan blade iron in accordance with my design;

FIG. 7 is an enlarged front elevation view of the ceiling fan blade iron in accordance with my design; and,

FIG. 8 is an enlarged back elevation view of the ceiling fan blade iron in accordance with my design.

The broken line showing of the canopy, support rod, ceiling fan blades, motor housing, blade irons and switch housing is included for the purpose of illustrating environmental structure and forms no part of the claimed design.

1 Claim, 3 Drawing Sheets



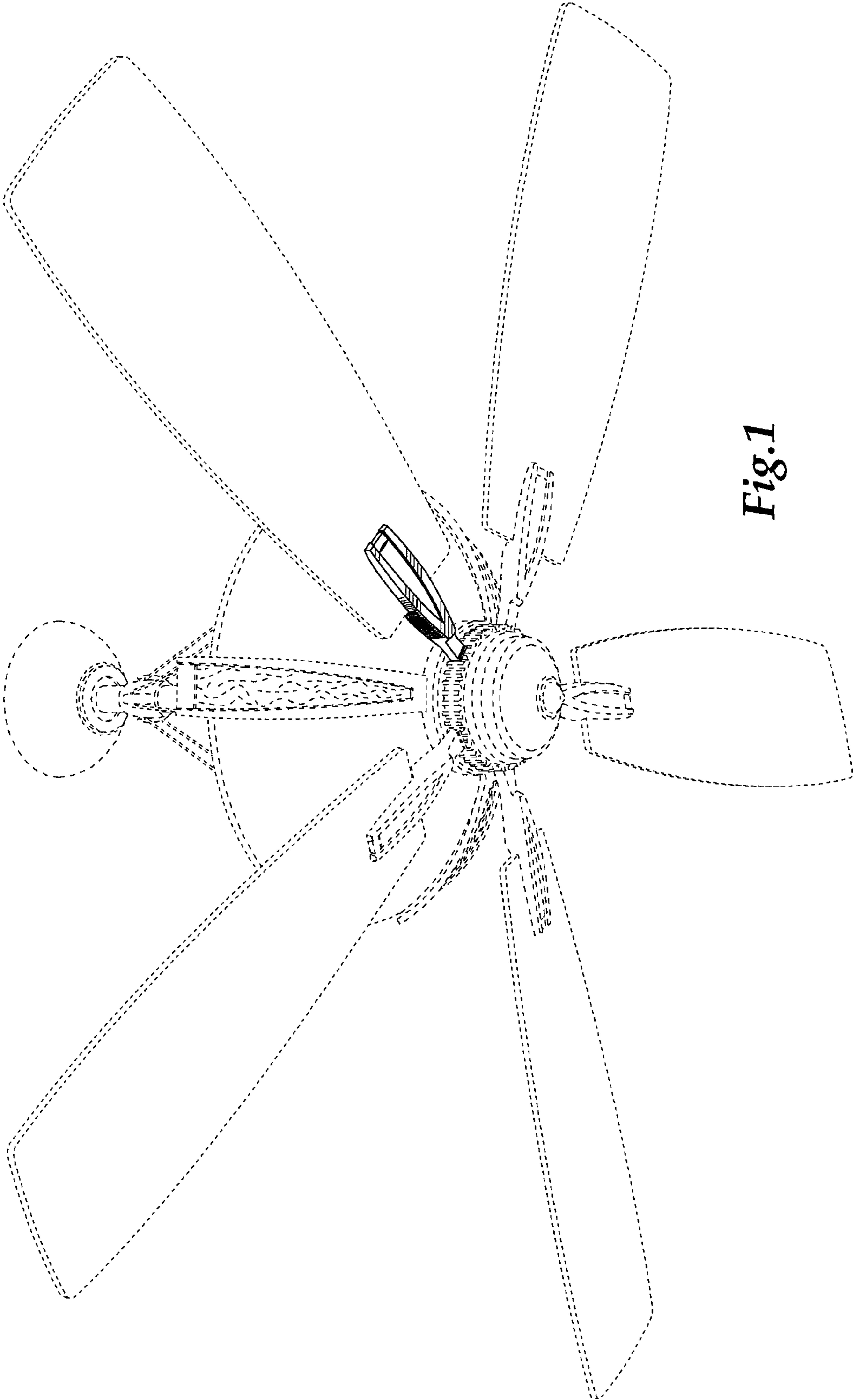


Fig.1

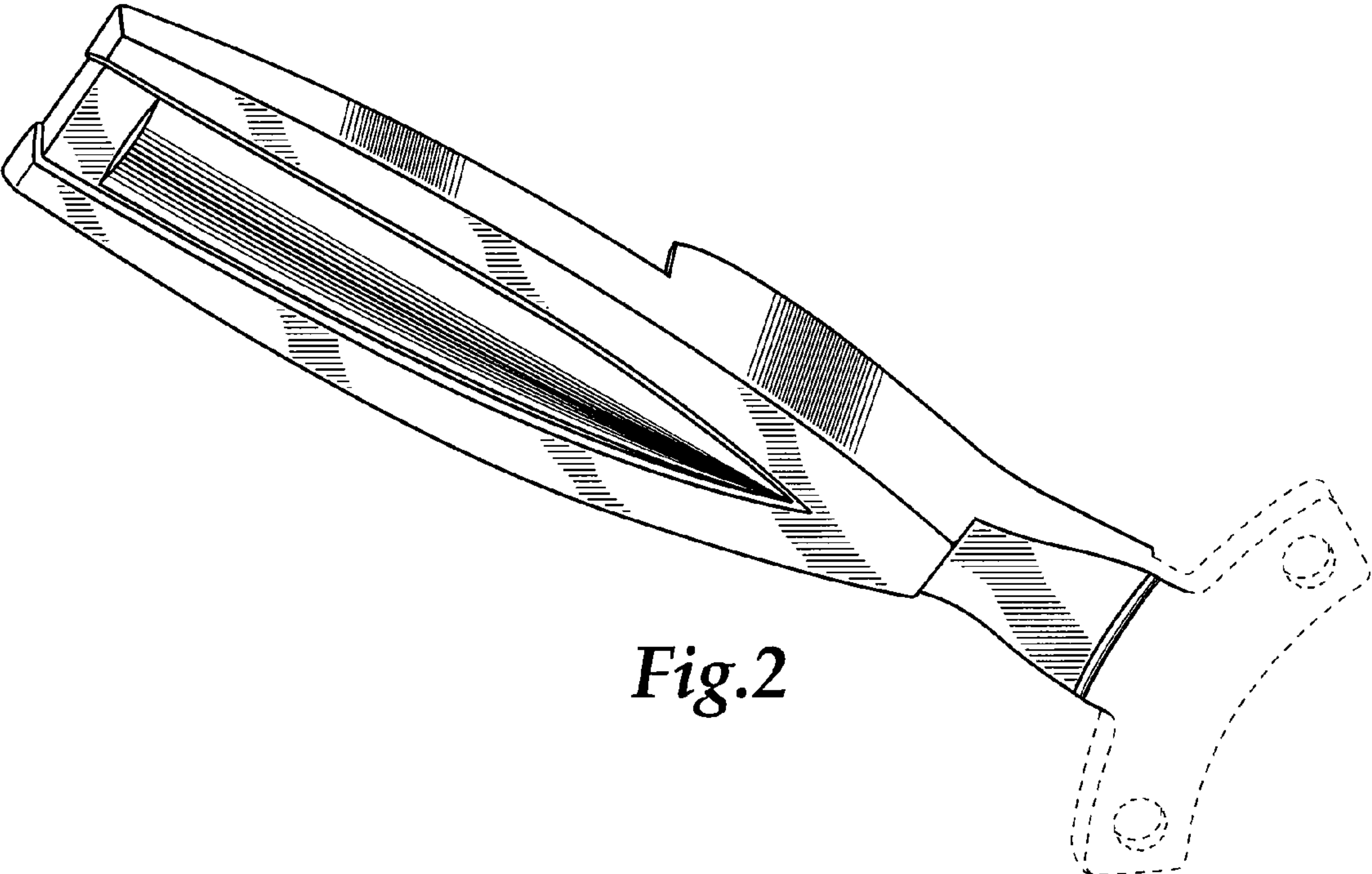


Fig.2

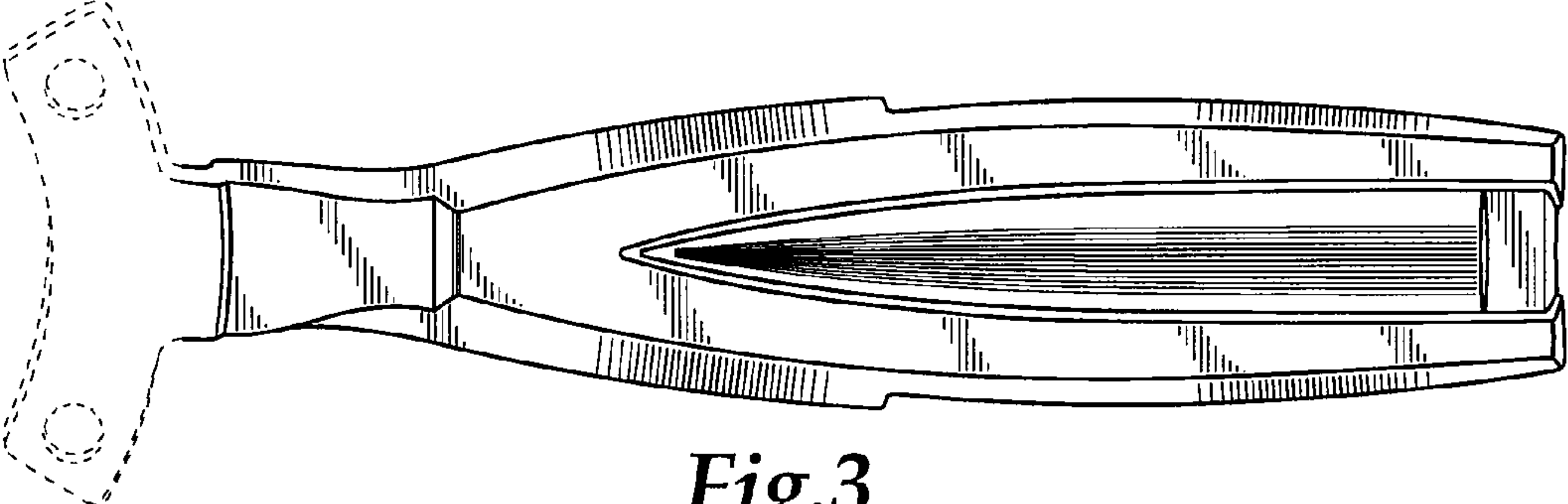


Fig.3

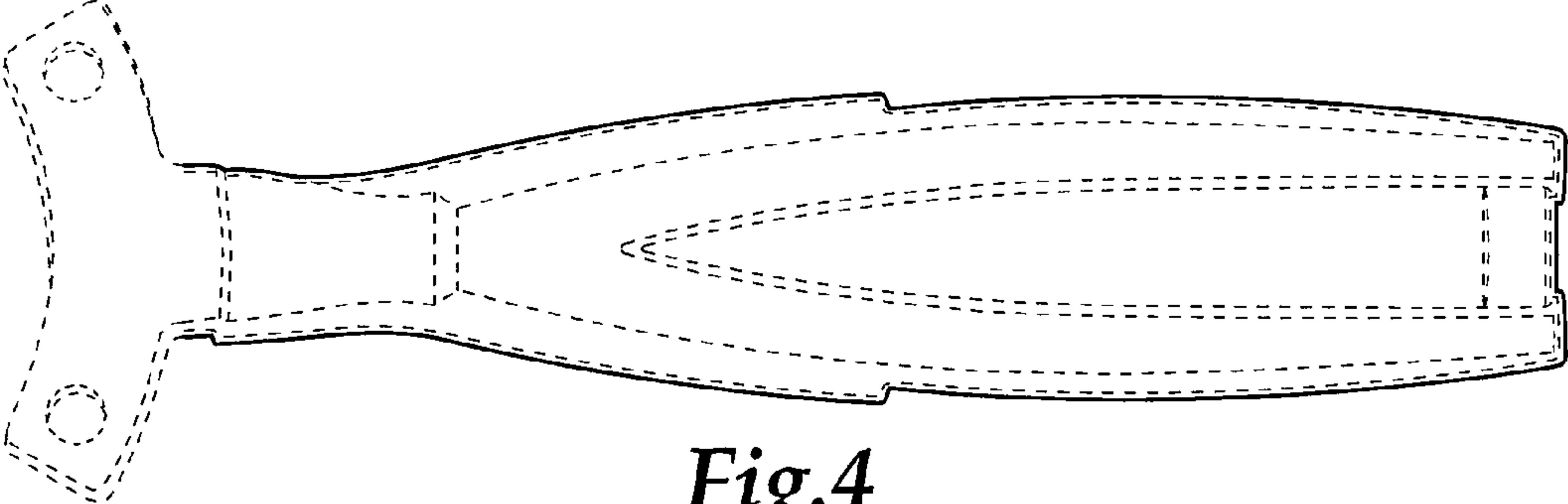


Fig.4

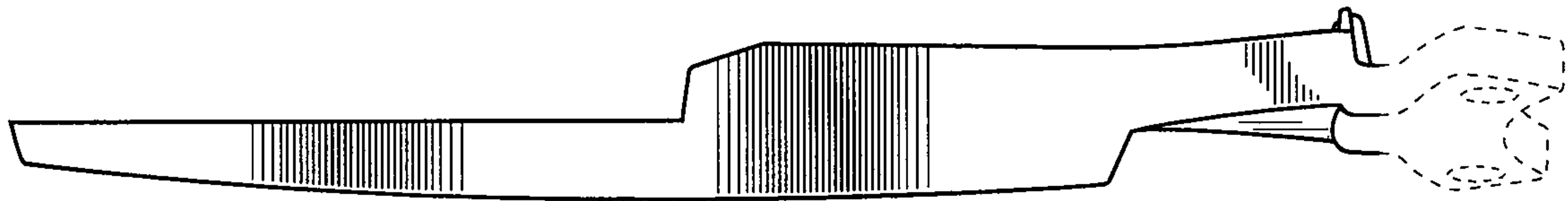


Fig.5

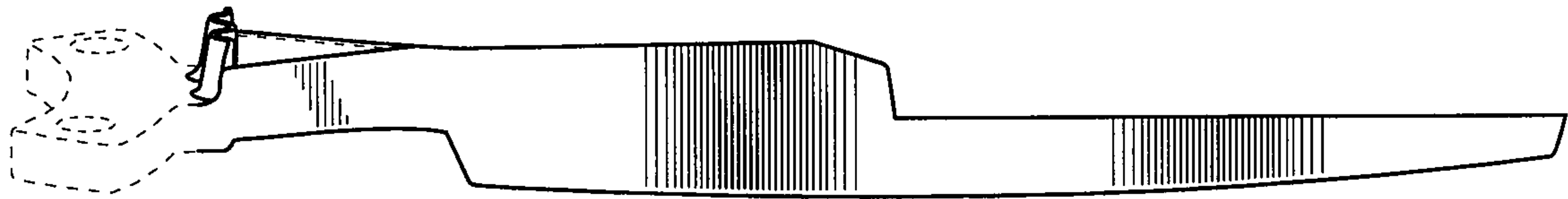


Fig.6

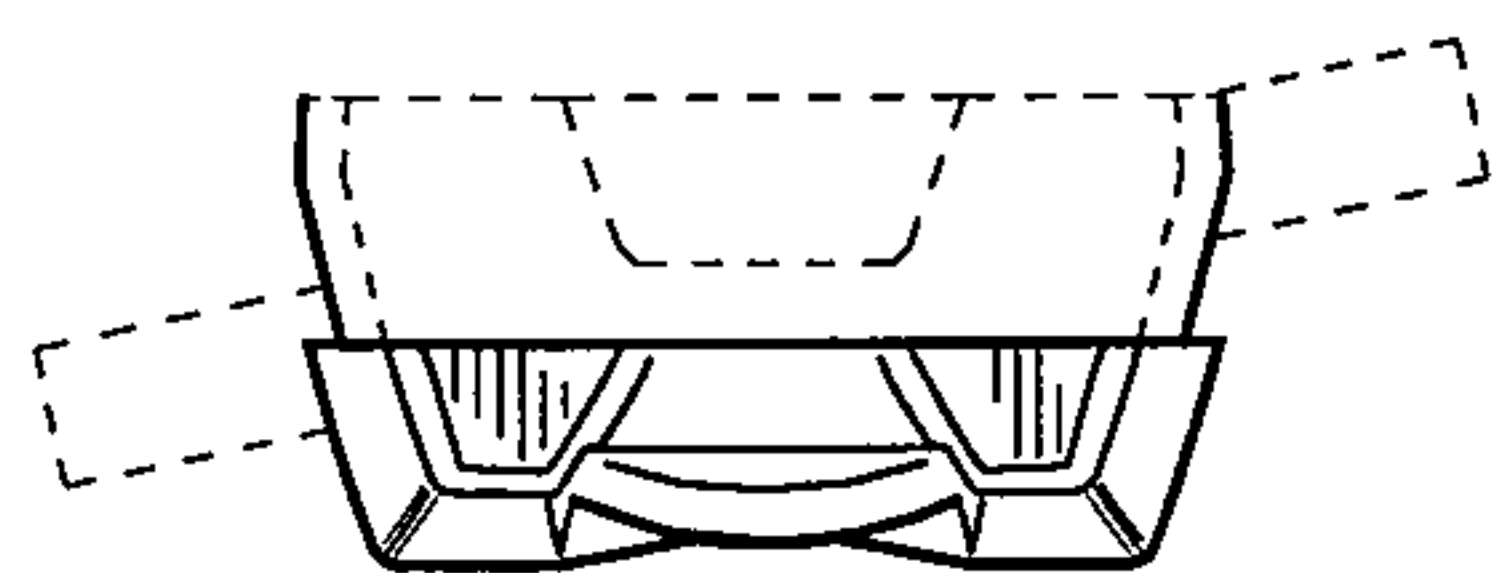


Fig.7

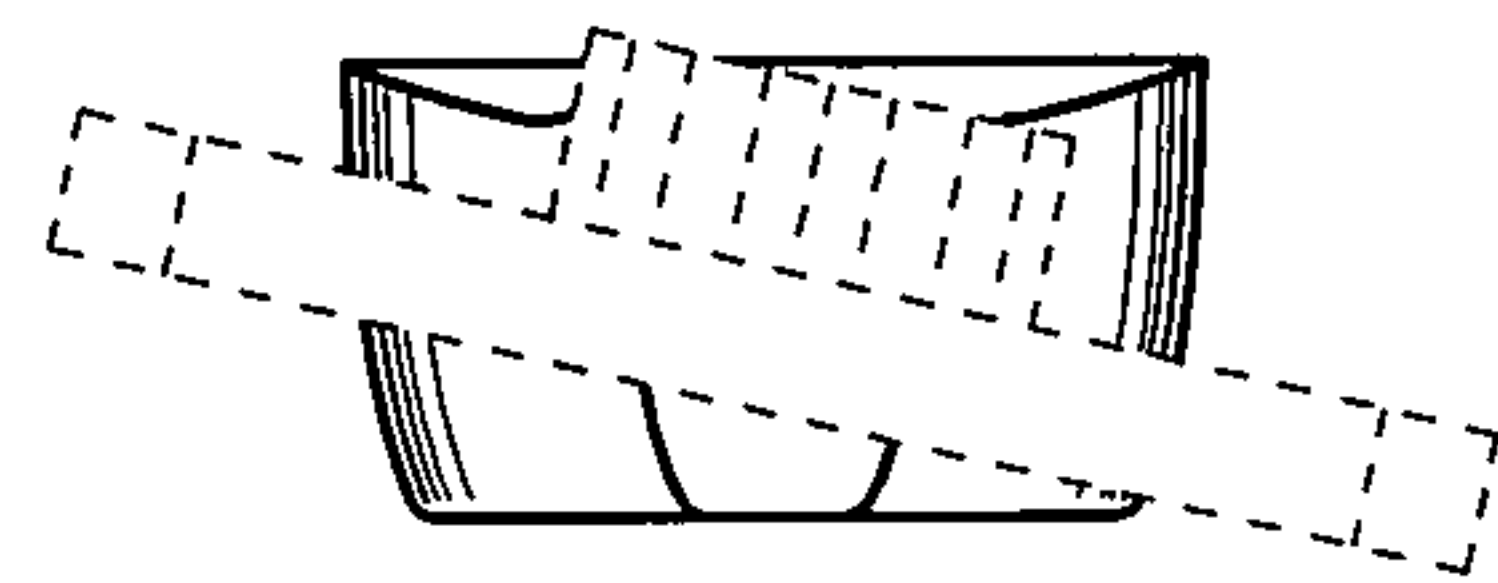


Fig.8