



US00D572814S

(12) **United States Design Patent**
Bucher et al.

(10) **Patent No.:** **US D572,814 S**
(45) **Date of Patent:** **** Jul. 8, 2008**

- (54) **CEILING FAN**
- (75) Inventors: **John C. Bucher**, Hillsboro Beach, FL (US); **Scott Searle**, Wan Chai (HK); **Tien S. Lowe**, Pembroke Pines, FL (US)
- (73) Assignee: **King of Fans, Inc.**, Ft. Lauderdale, FL (US)
- (**) Term: **14 Years**
- (21) Appl. No.: **29/263,776**
- (22) Filed: **Jul. 28, 2006**

Related U.S. Application Data

- (62) Division of application No. 29/224,974, filed on Mar. 9, 2005, now Pat. No. Des. 566,259.
- (51) **LOC (8) Cl.** **23-04**
- (52) **U.S. Cl.** **D23/377**
- (58) **Field of Classification Search** D23/377, D23/379, 385, 411, 413; 416/5
See application file for complete search history.

References Cited

U.S. PATENT DOCUMENTS

D364,224 S	11/1995	Wang	D23/377
D371,838 S	7/1996	Davis, Jr. et al.	D23/411
D378,404 S	3/1997	Jaspers-Fayer	D23/377
D402,026 S	12/1998	Chuang et al.	D23/377
D408,518 S	4/1999	Liu	D23/377
D412,571 S	8/1999	Lee	D23/377
D414,856 S	10/1999	Zuege	D23/377
D421,799 S	3/2000	Zuege	D23/411
D422,072 S	3/2000	Blateri	D23/377
D443,352 S	6/2001	Lantz	D23/413
D451,997 S	12/2001	Schwartz	D23/413
D454,636 S	3/2002	Lantz	D23/413
D469,950 S	2/2003	Scalise et al.	D3/3
D480,471 S	10/2003	Hsieh	D23/411
D484,233 S	12/2003	Bucher et al.	D23/377
D485,345 S	1/2004	Bucher	D23/377
D485,346 S	1/2004	Bucher et al.	D23/377
D485,347 S	1/2004	Bucher et al.	D23/377
D566,259 S *	4/2008	Bucher et al.	D23/377

* cited by examiner

Primary Examiner—Lisa P Lichtenstein
(74) *Attorney, Agent, or Firm*—Brian S. Steinberger; Law Offices of Brian S. Steinberger, P.A.

(57) **CLAIM**

The ornamental design for a ceiling fan, as shown and described.

DESCRIPTION

FIG. 1 is lower front side perspective view of a design of the novel ceiling fan.

FIG. 2 is a upper front side perspective view of the design of FIG. 1.

FIG. 3 is a front side view of the design of FIG. 1.

FIG. 4 is a left side view of the design of FIG. 1.

FIG. 5 is a rear side view of the design of FIG. 1.

FIG. 6 is a bottom view of the design of FIG. 1.

FIG. 7 is a top view of the design of FIG. 1.

FIG. 8 is a lower front side perspective view of the design of the ceiling fan without motor arms attached to outwardly expanding paddle shaped blades.

FIG. 9 is a upper front side perspective view of the design of FIG. 8.

FIG. 10 is a side view of the design of FIG. 8.

FIG. 11 is a bottom view of the design of FIG. 8.

FIG. 12 is a top view of the design of FIG. 9.

FIG. 13 is lower front side perspective view of the design of the global light of FIG. 8 without a canopy.

FIG. 14 is an upper front perspective view of the design of FIG. 13.

FIG. 15 is a front side view of the design of FIG. 13.

FIG. 16 is a bottom view of the design of FIG. 13; and,

FIG. 17 is a top view of the design of FIG. 13.

The broken line showing of the canopy, support rod, top dome, switch and pull cord is included for the purpose of illustrating environmental structure and forms no part of the claimed design.

1 Claim, 16 Drawing Sheets

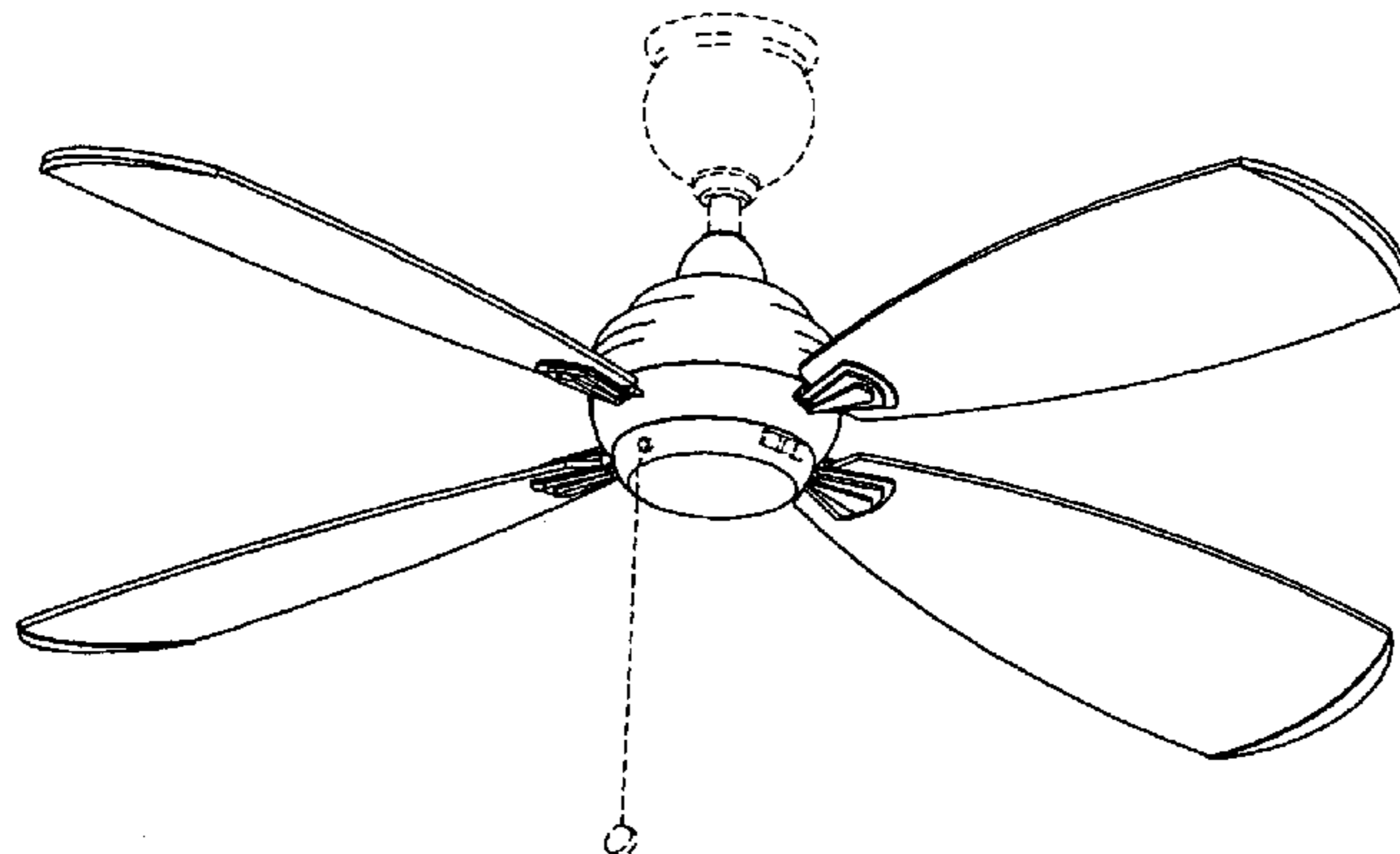


Fig.1

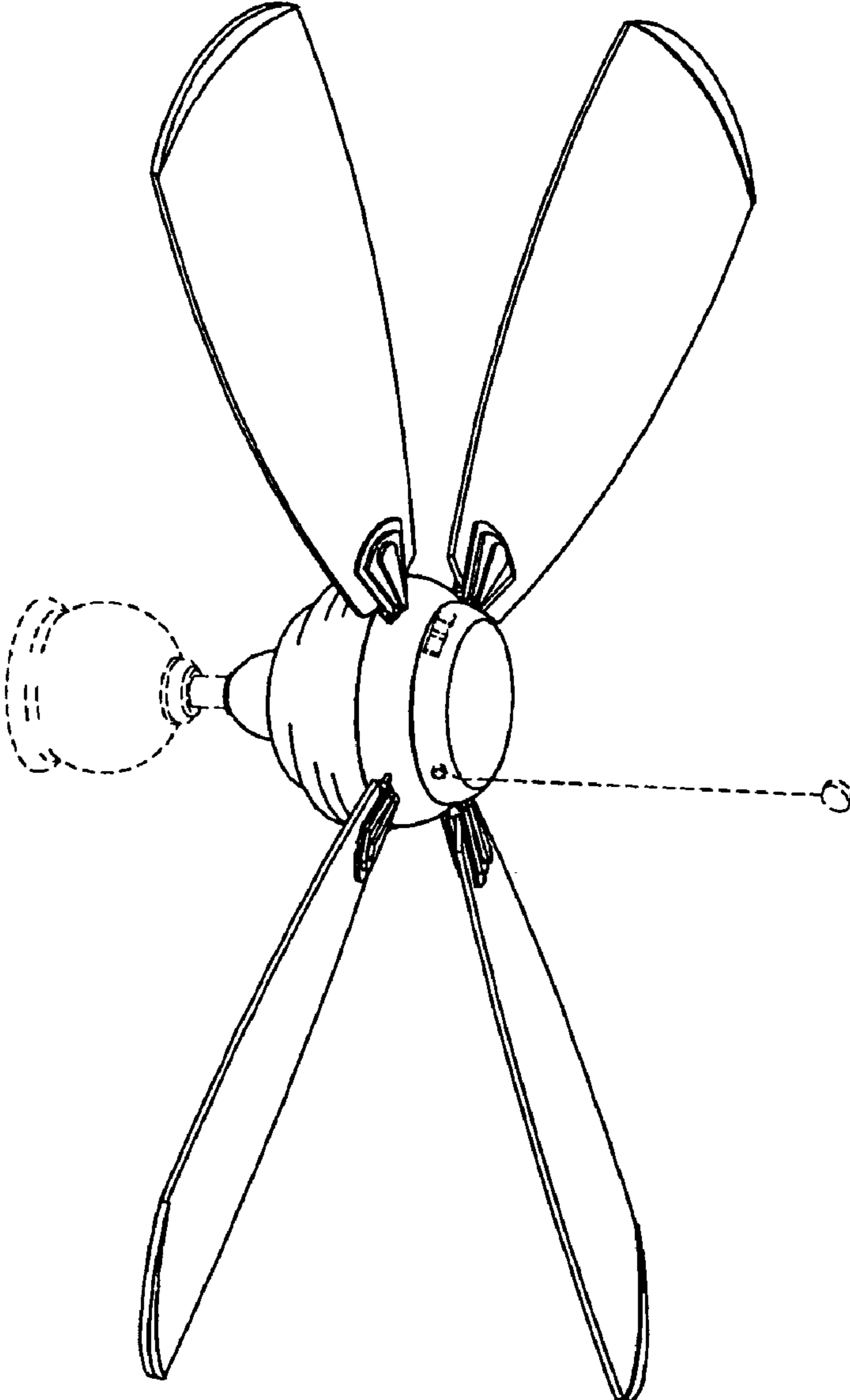


Fig.2

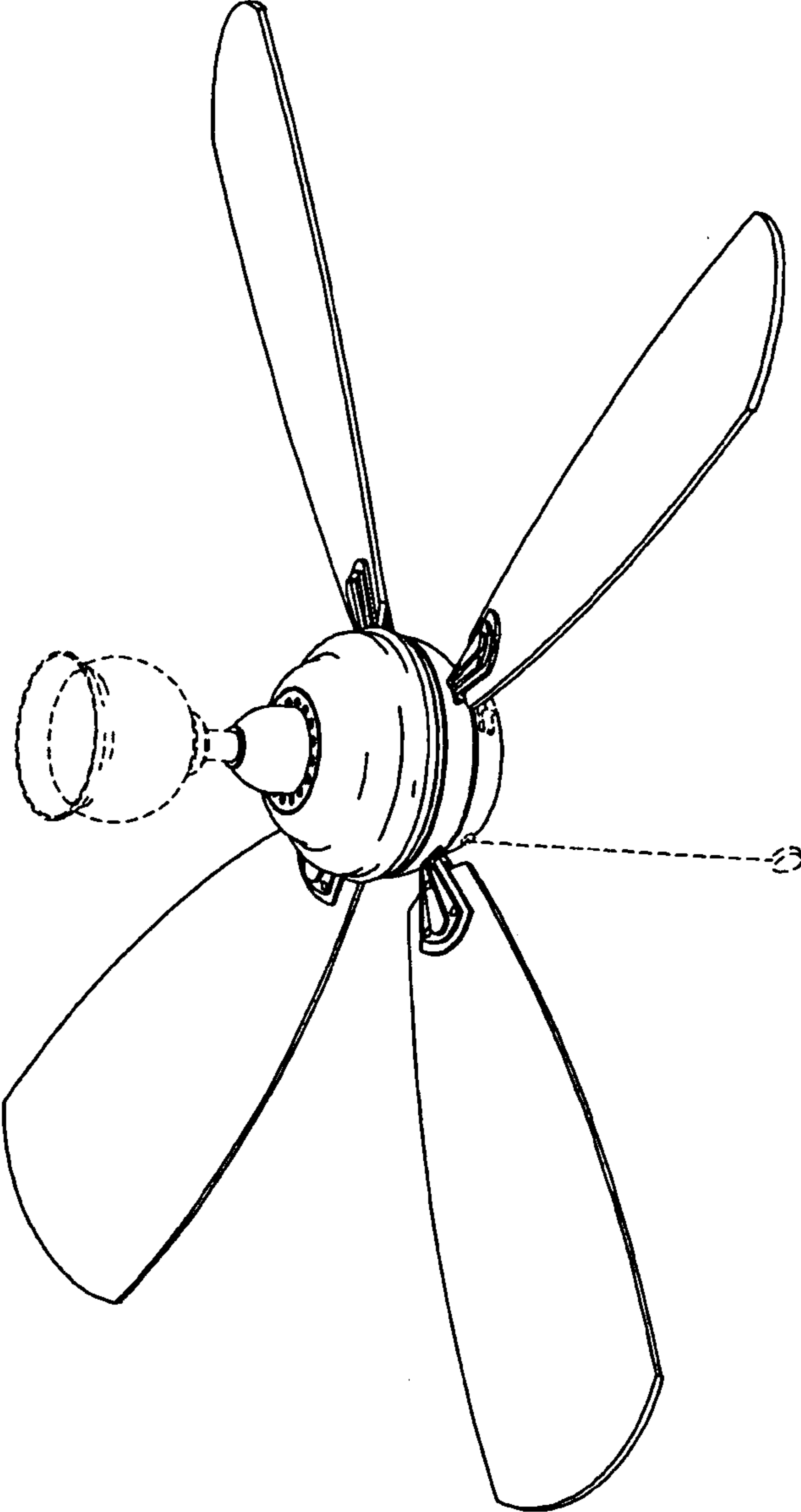


Fig.3

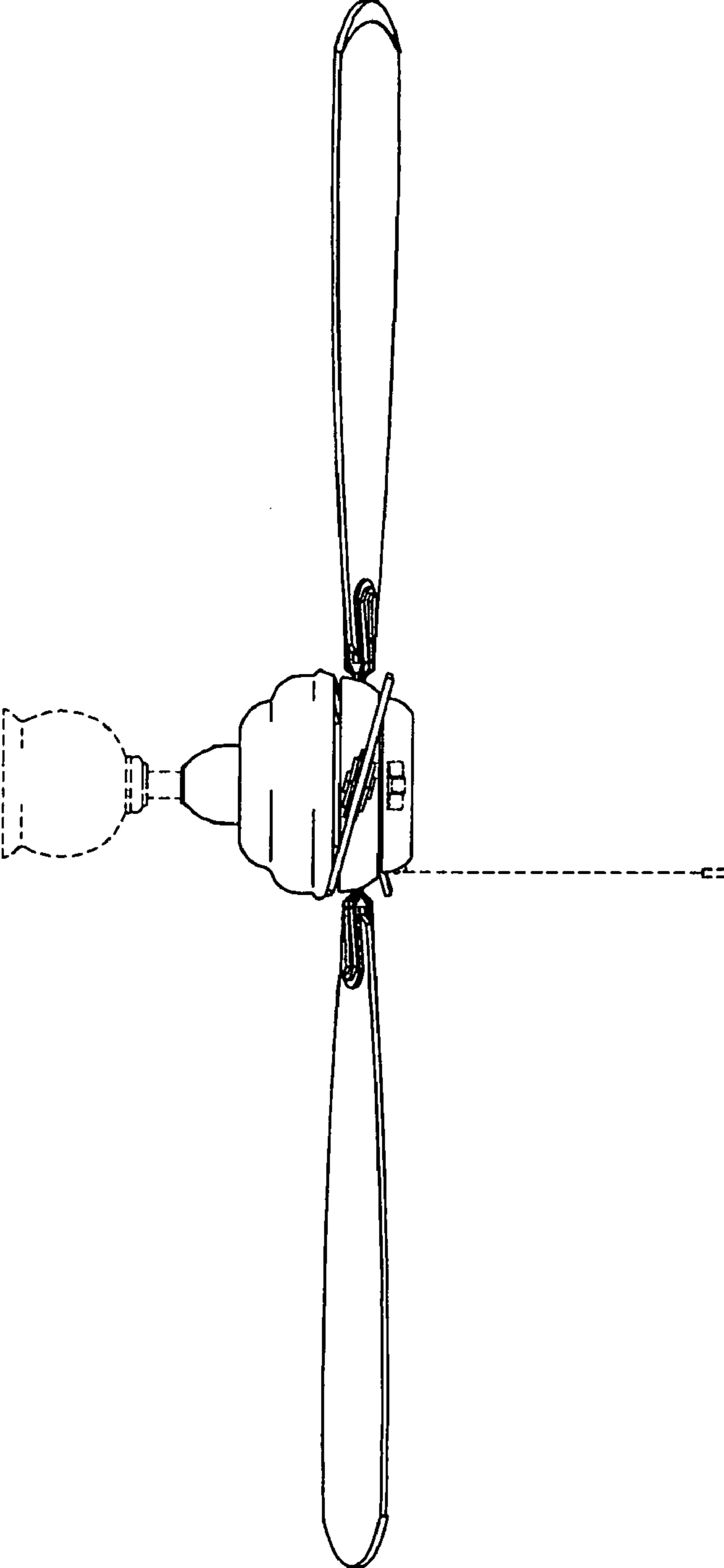


Fig.4

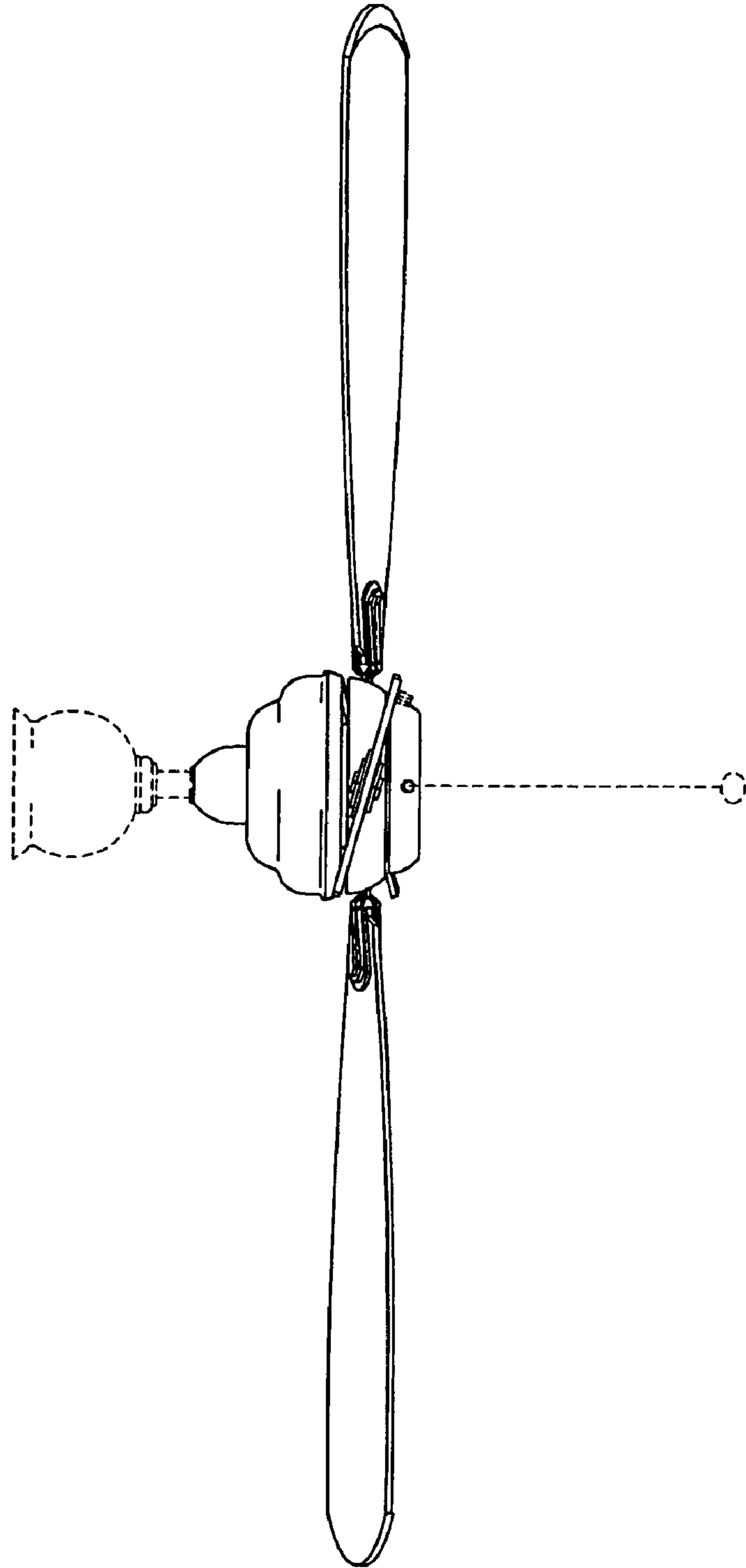
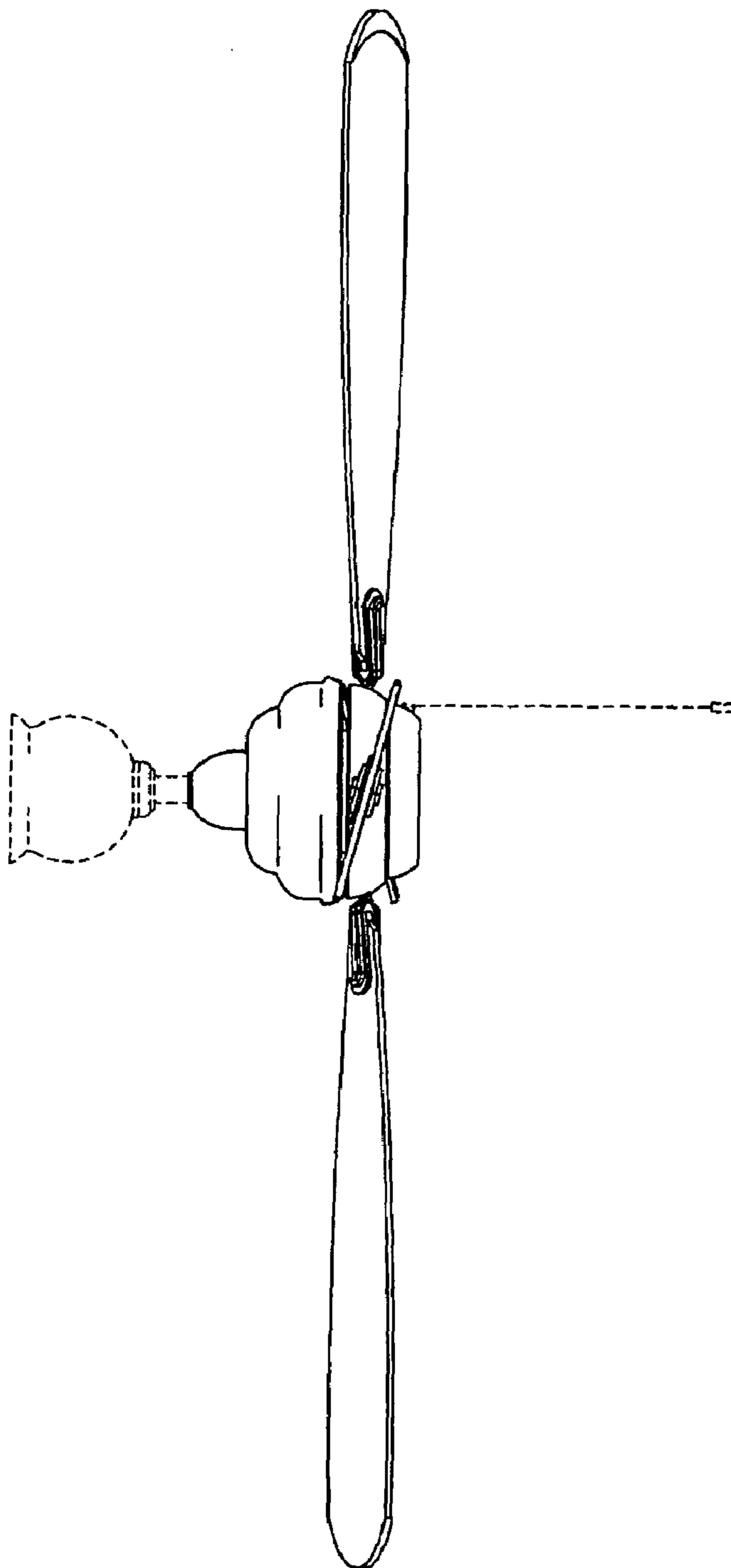


Fig. 5



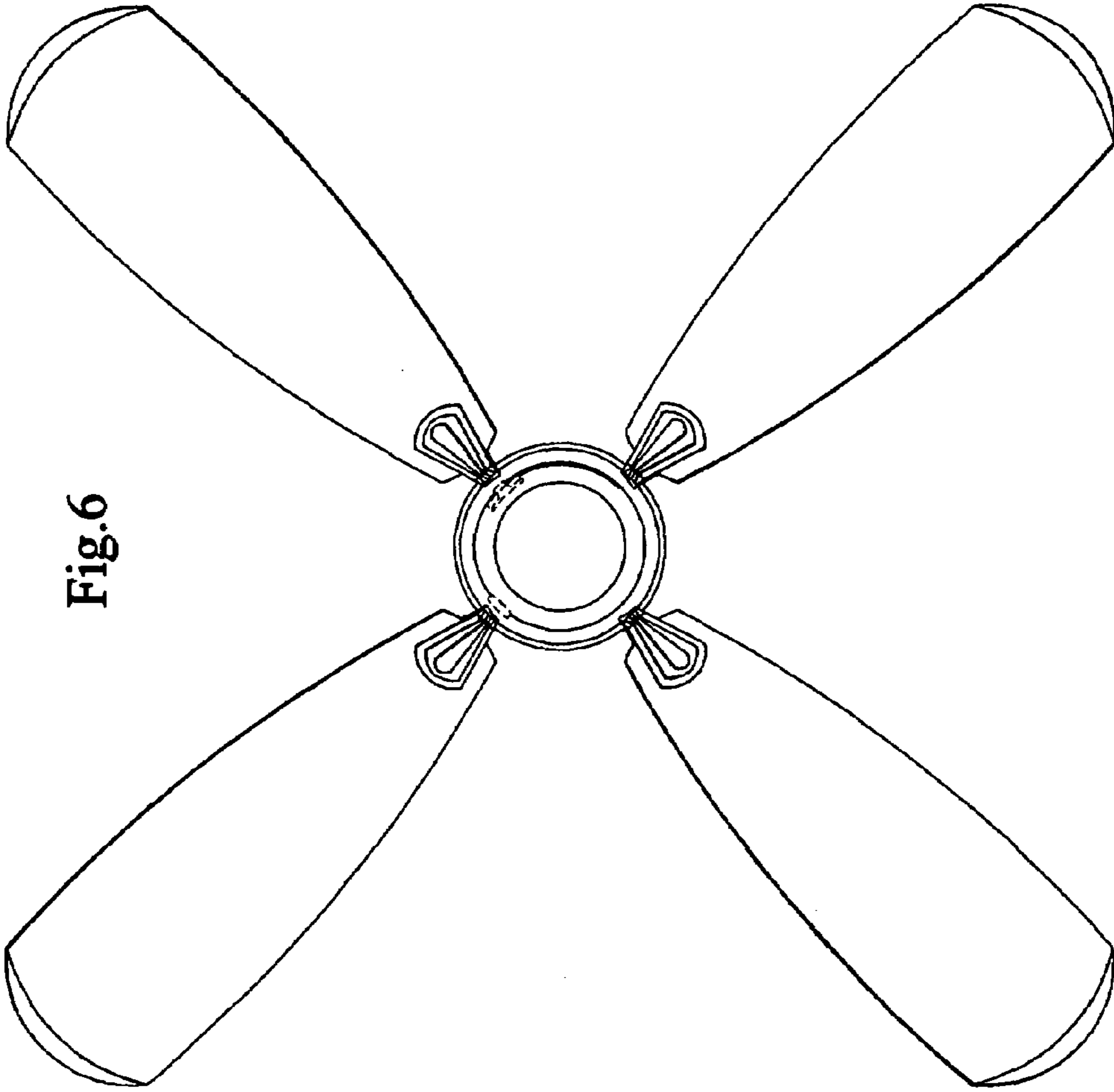


Fig.6

FIG. 7

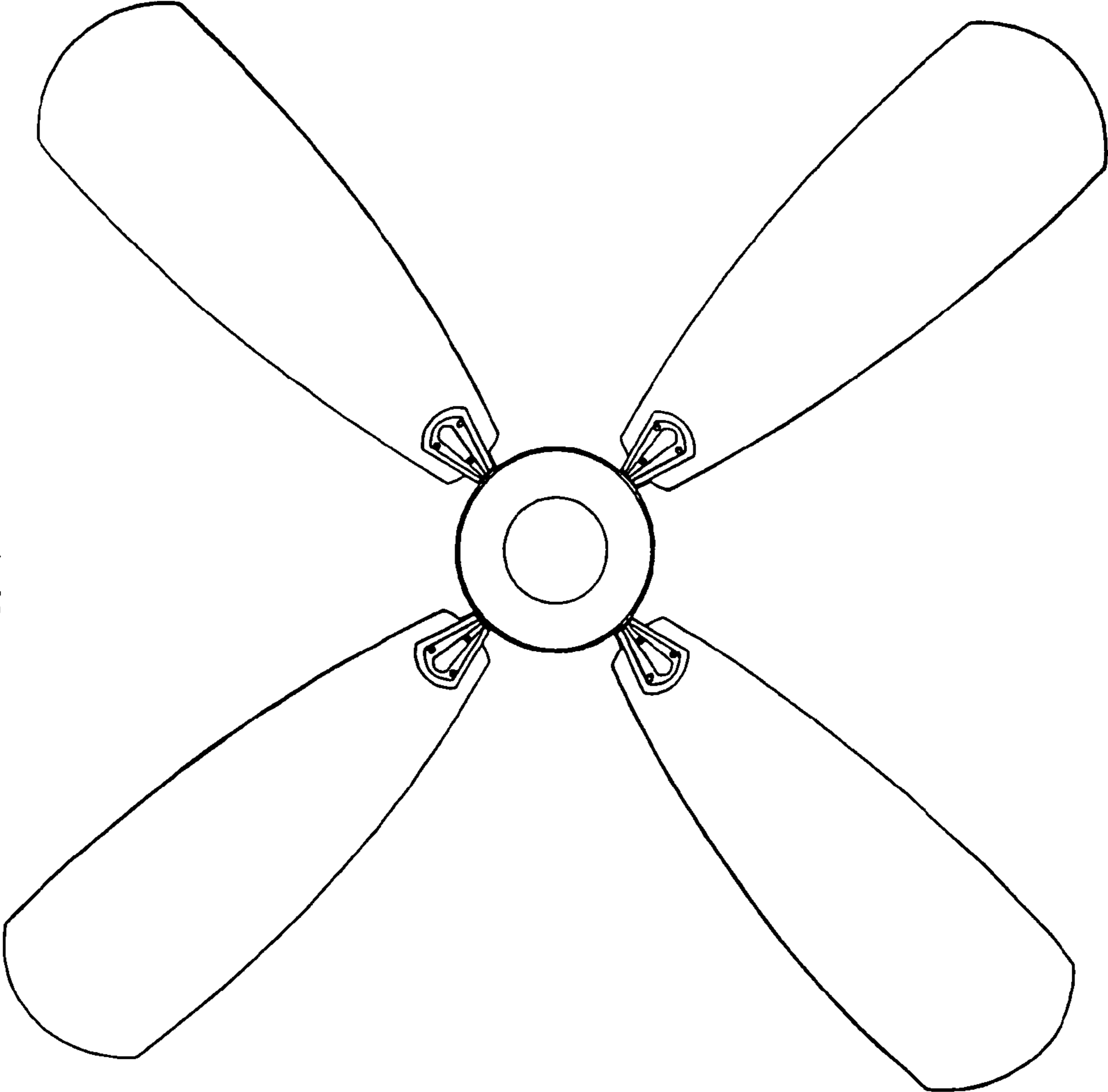


FIG. 8

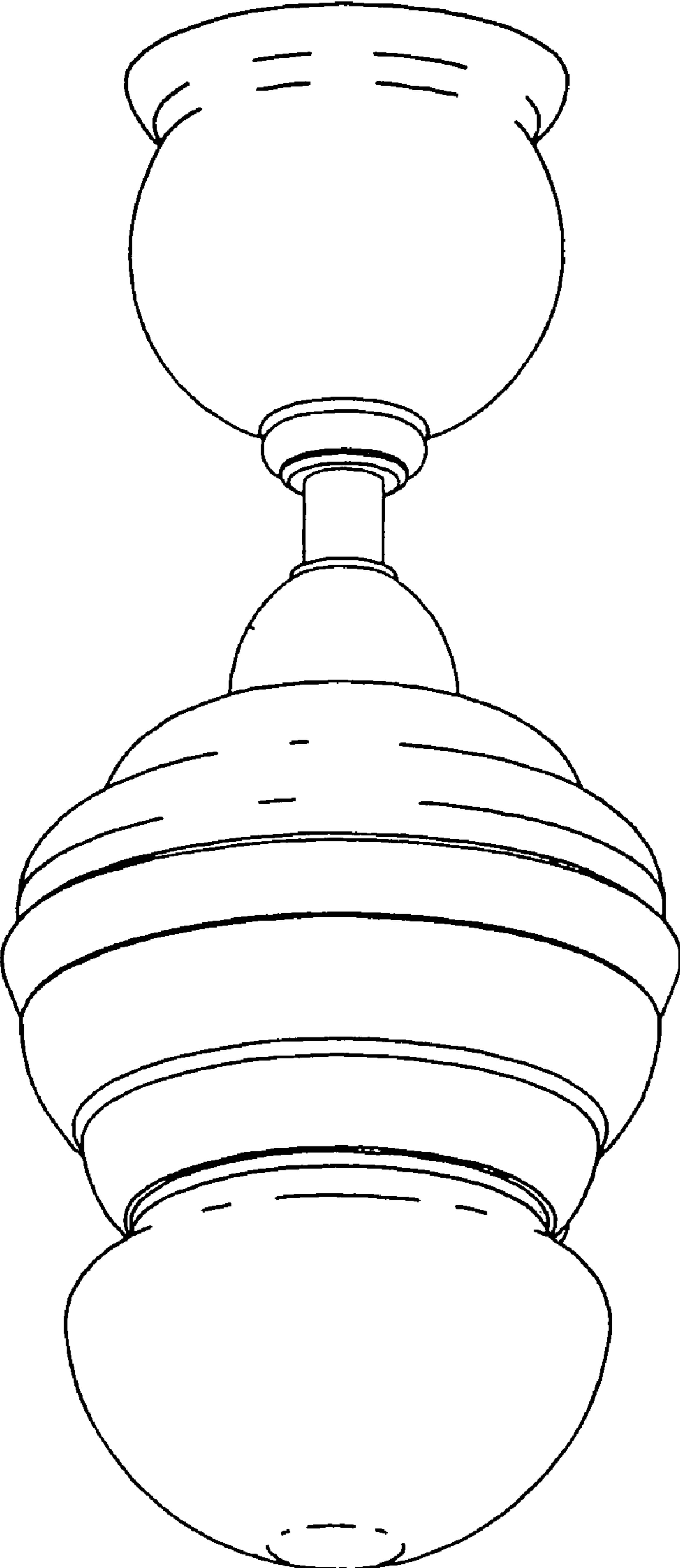


FIG. 9

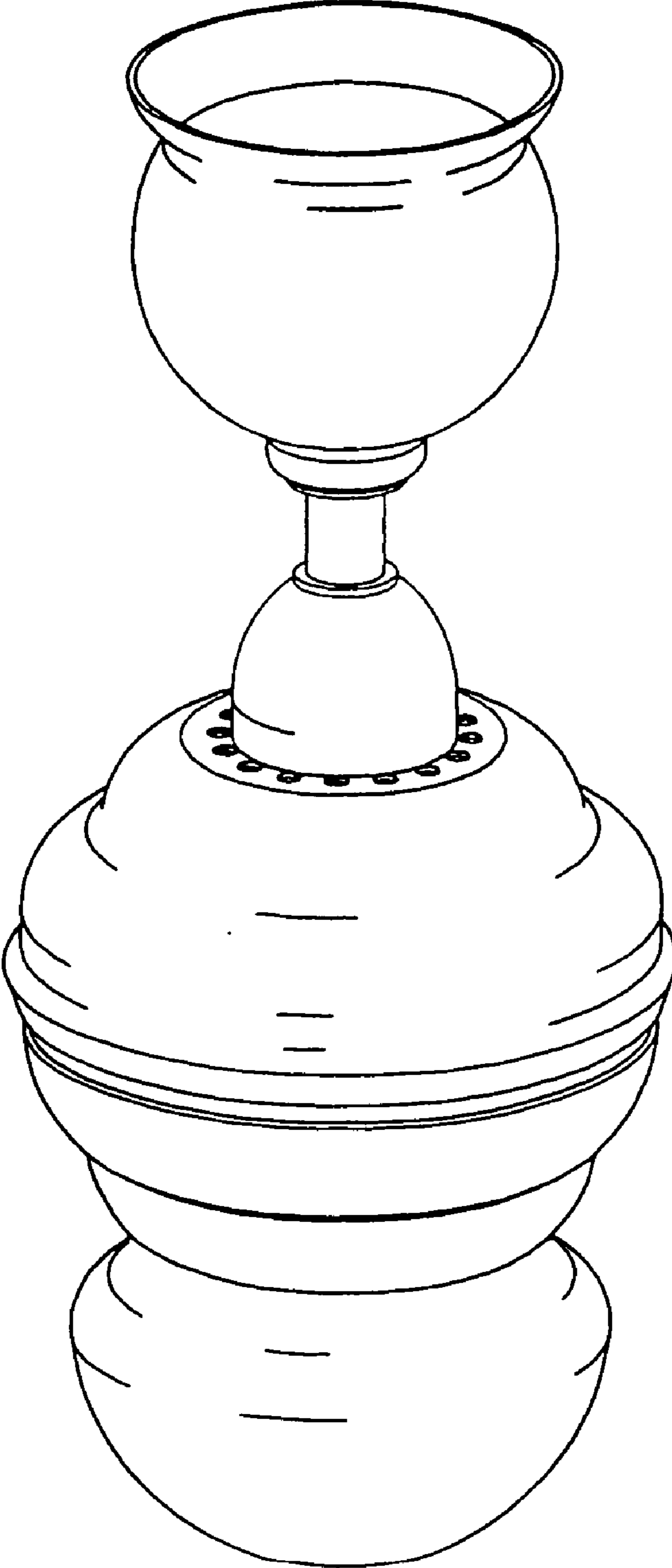


FIG. 10

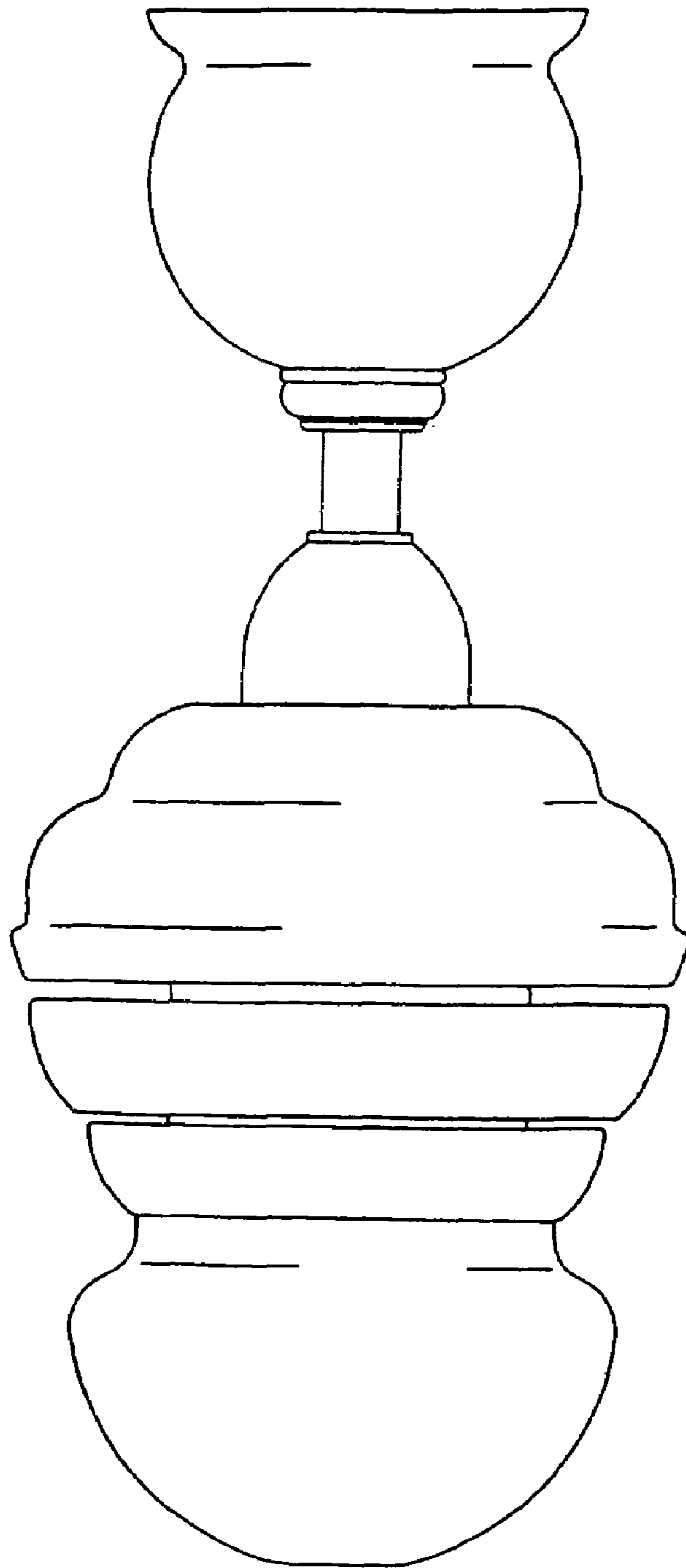


FIG. 11

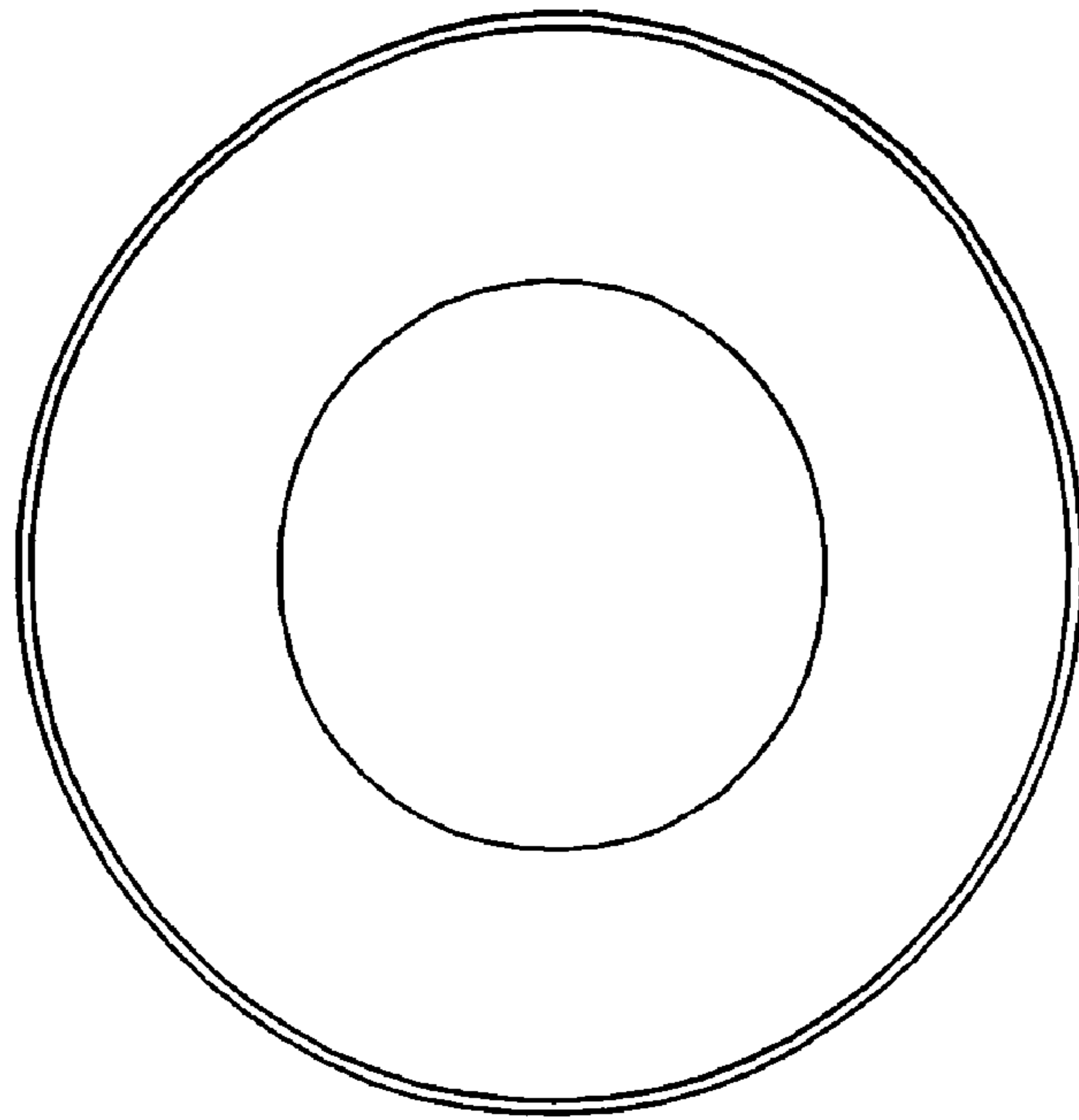


FIG. 12

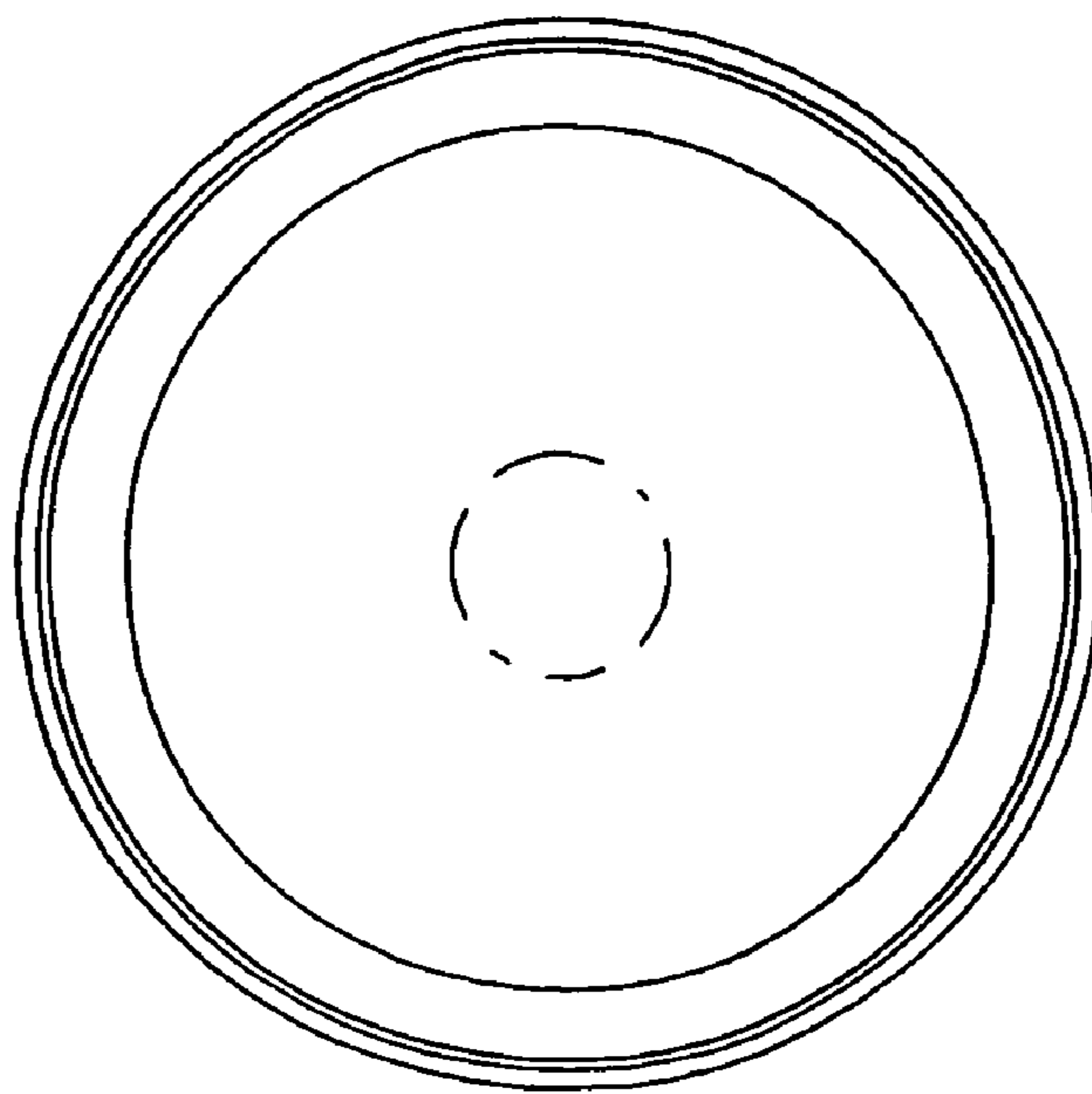


FIG. 13

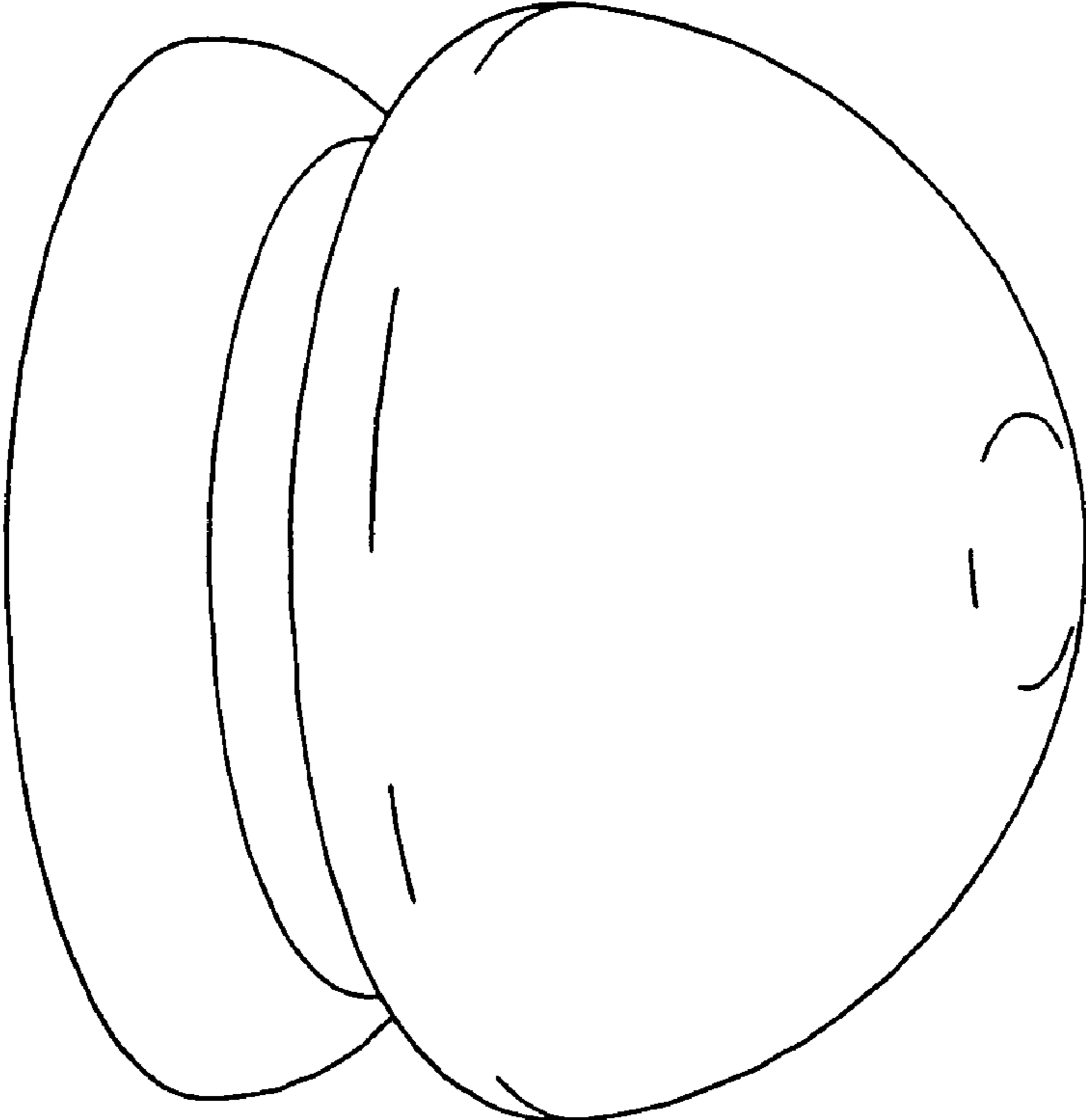


FIG. 14

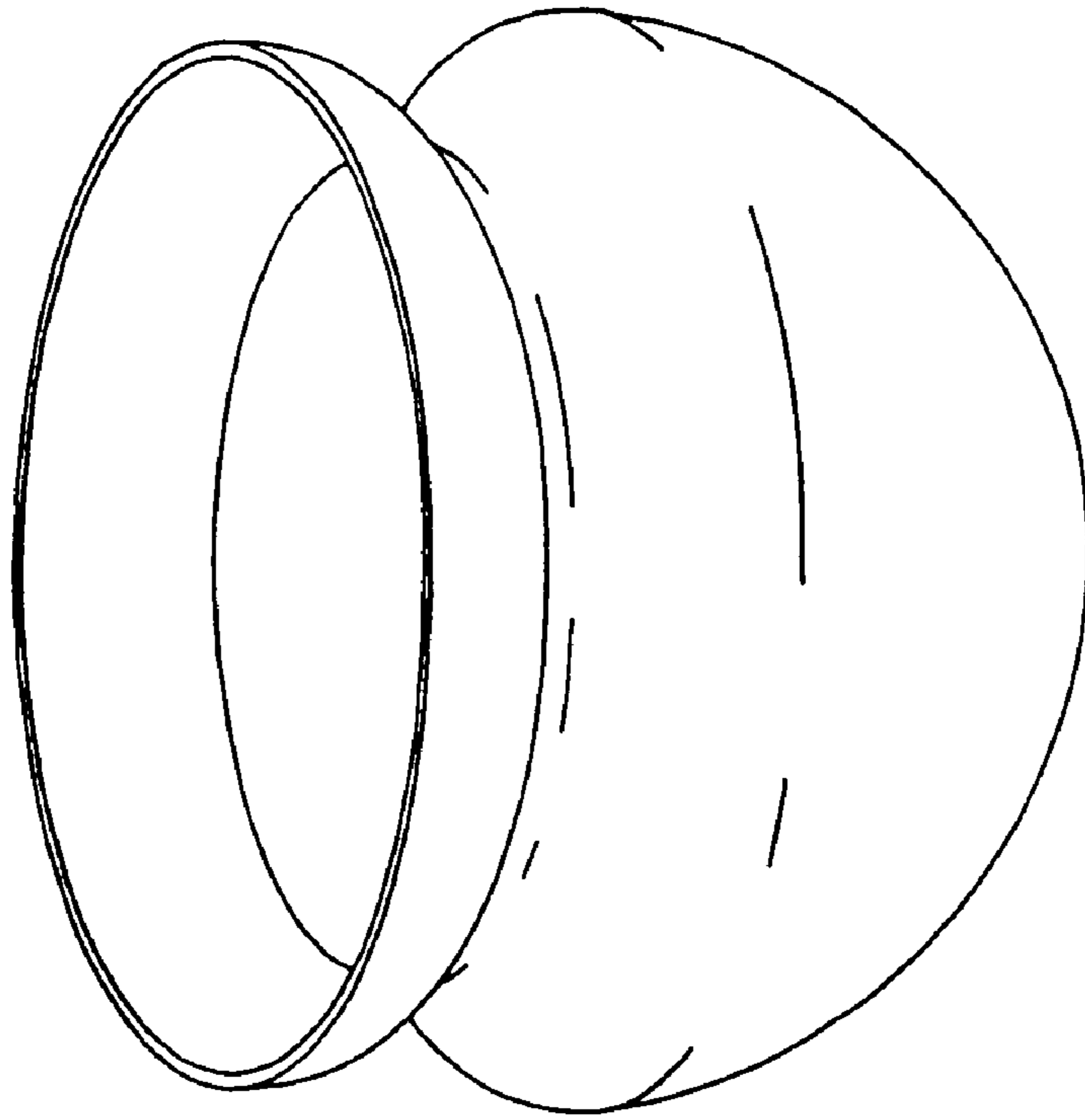


FIG. 15

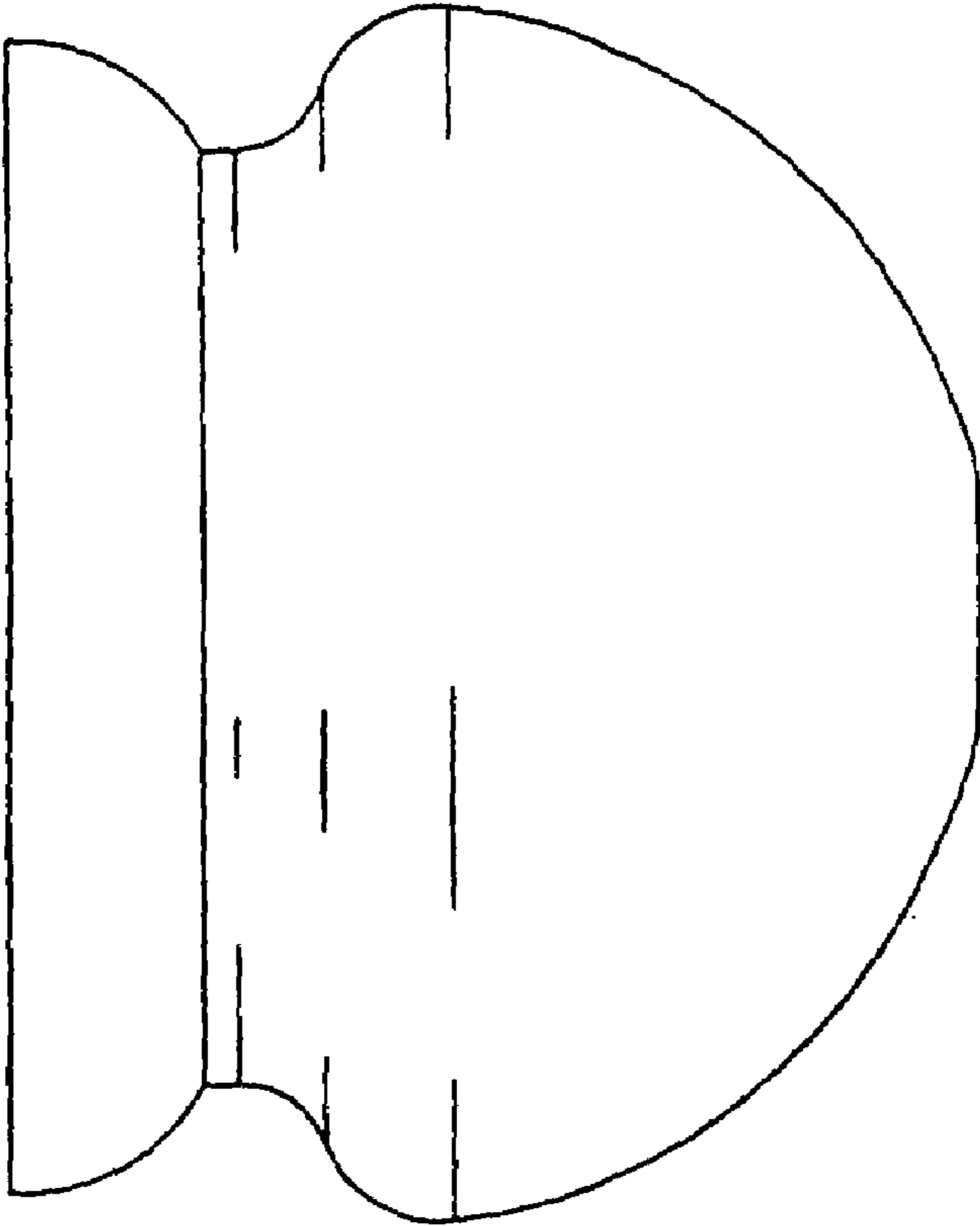


FIG. 16

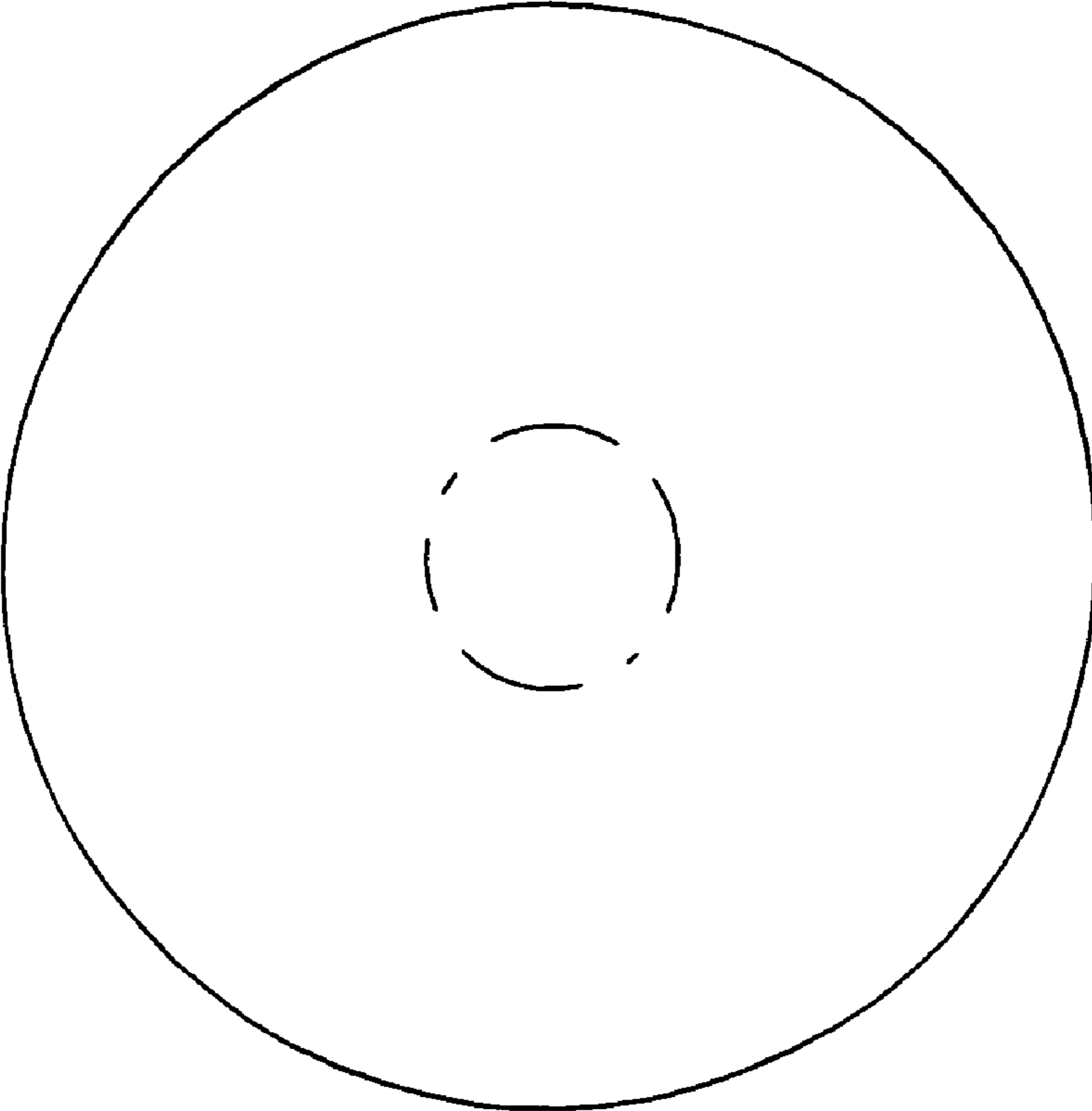


FIG. 17

