

US00D572812S

(12) **United States Design Patent**
Schultz et al.

(10) **Patent No.:** **US D572,812 S**
(45) **Date of Patent:** **** Jul. 8, 2008**

(54) **AIR PURIFIER**

(75) Inventors: **Marissa A. K. Schultz**, Racine, WI
(US); **Thomas Van Dyk**, Ramsey, NJ
(US)

(73) Assignee: **S. C. Johnson & Son, Inc.**, Racine, WI
(US)

(**) Term: **14 Years**

(21) Appl. No.: **29/248,293**

(22) Filed: **Aug. 8, 2006**

Related U.S. Application Data

(63) Continuation-in-part of application No. 29/257,901,
filed on Apr. 12, 2006.

(51) **LOC (8) Cl.** **23-04**
(52) **U.S. Cl.** **D23/364**
(58) **Field of Classification Search** D23/364,
D23/355, 356, 359, 360, 362, 352, 366, 369,
D23/332, 333, 335, 336, 342; 422/120, 122;
55/356, 473, 504; 210/497.1; 96/97; D14/188,
D14/170, 172

See application file for complete search history.

(56) **References Cited**

U.S. PATENT DOCUMENTS

D296,468 S 6/1988 Greubel
D326,318 S * 5/1992 Coup et al. D23/335
D374,278 S 10/1996 Ganor
D384,734 S * 10/1997 Ellwood D23/335
D418,212 S * 12/1999 TerMeer D23/335
D418,591 S * 1/2000 Birdsell et al. D23/335
D426,293 S 6/2000 Tounsi et al.
D426,876 S * 6/2000 Rossman et al. D23/332
D432,222 S * 10/2000 Rymer et al. D23/366

D441,065 S * 4/2001 Ediger et al. D23/335
D450,377 S 11/2001 Terpko et al.
D456,070 S 4/2002 Garman
D457,230 S 5/2002 Huang
D457,614 S * 5/2002 Chura et al. D23/335
D462,428 S * 9/2002 Chura et al. D23/335
D465,019 S 10/2002 Wu
D465,275 S 11/2002 Garman
D468,627 S * 1/2003 Dampney D23/369
D468,820 S 1/2003 Smith et al.
D471,969 S * 3/2003 Krauss D23/335
D485,340 S 1/2004 Wu
D509,892 S * 9/2005 McLeish D23/366
D538,415 S * 3/2007 Ching D23/335

* cited by examiner

Primary Examiner—David G Muller

(57) **CLAIM**

The ornamental design for an air purifier, as shown and described.

DESCRIPTION

FIG. 1 is an isometric view of a new air purifier in accordance with the present invention;

FIG. 2 is a front elevational view of the air purifier of FIG. 1;

FIG. 3 is a right side elevational view of the air purifier of FIG. 1, the left side being a mirror image thereof;

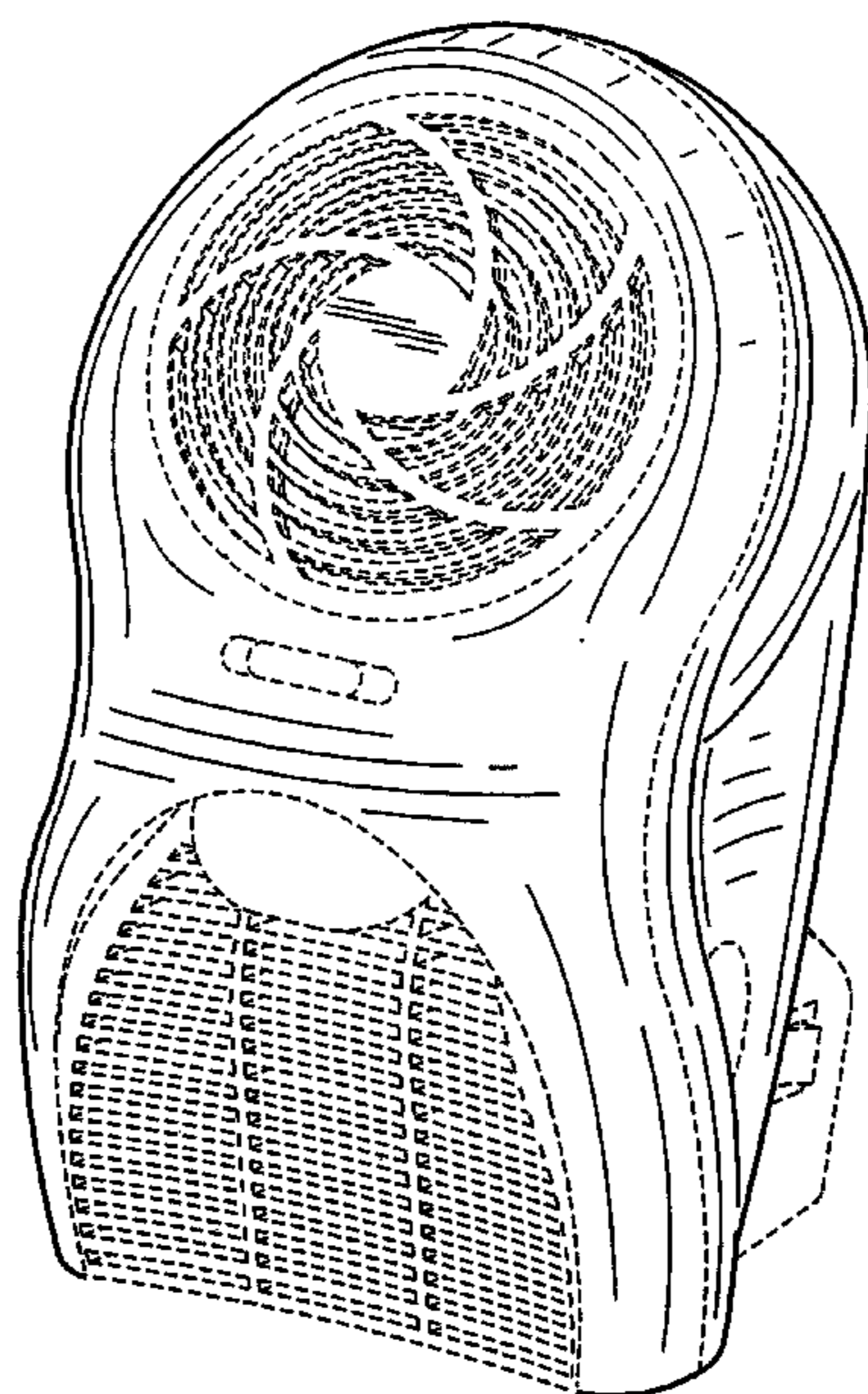
FIG. 4 is a top plan view of the air purifier of FIG. 1;

FIG. 5 is a rear elevational view of the air purifier of FIG. 1; and,

FIG. 6 is a bottom plan view of the air purifier of FIG. 1.

The broken line showing of parts of the drawings is included for the purpose of illustrating use and environment and forms no part of the claimed design.

1 Claim, 6 Drawing Sheets



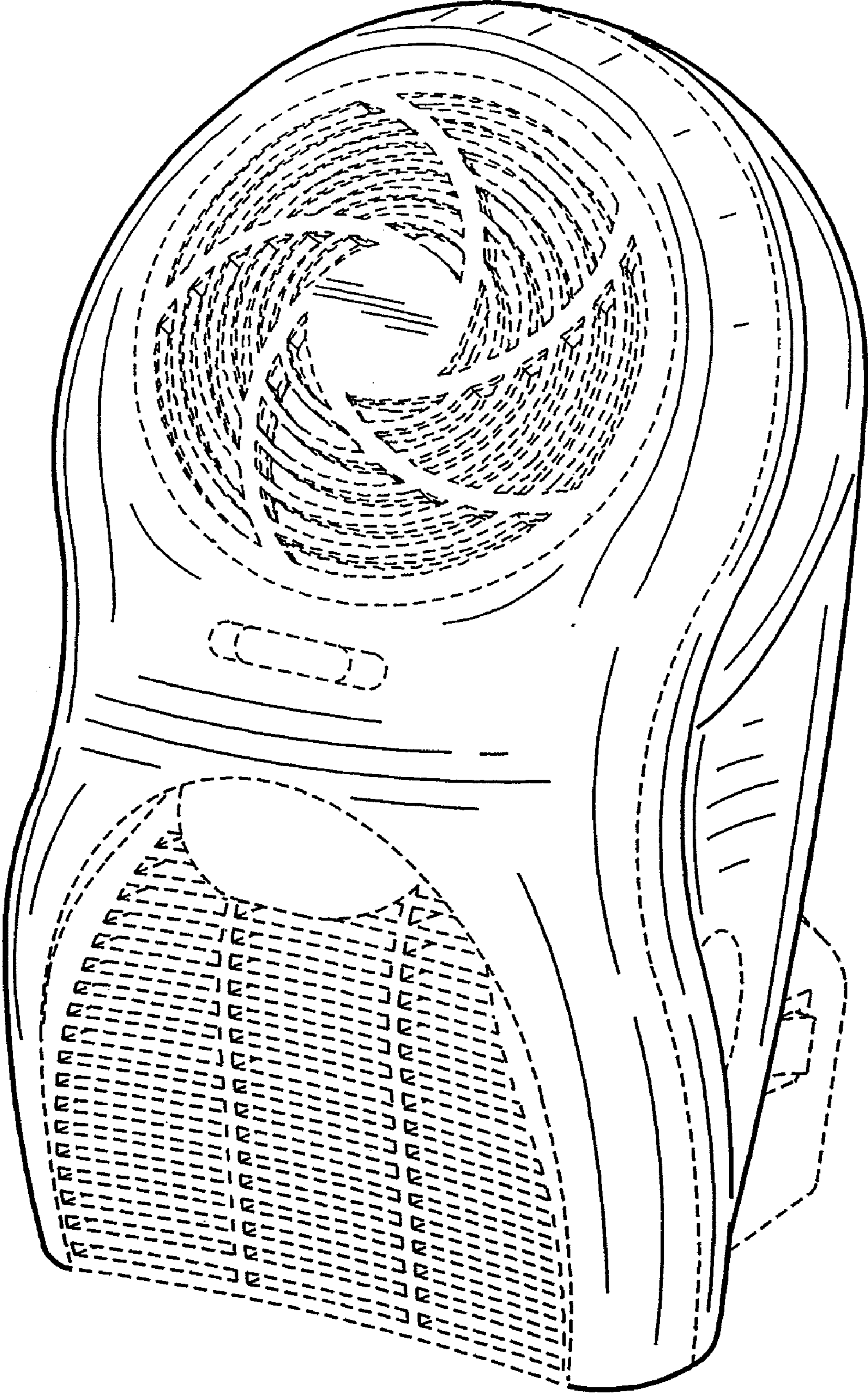


FIG. 1

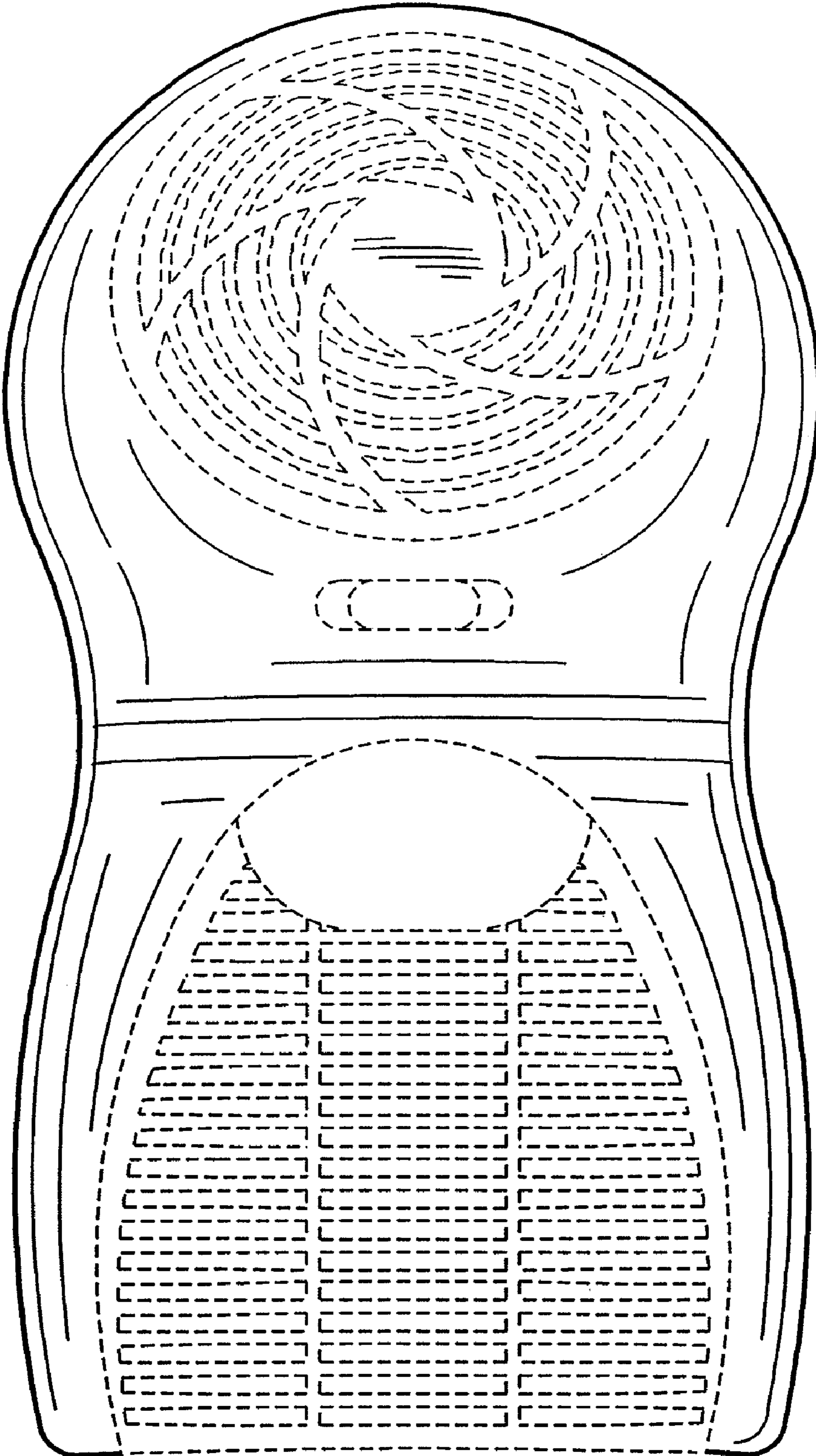


FIG. 2

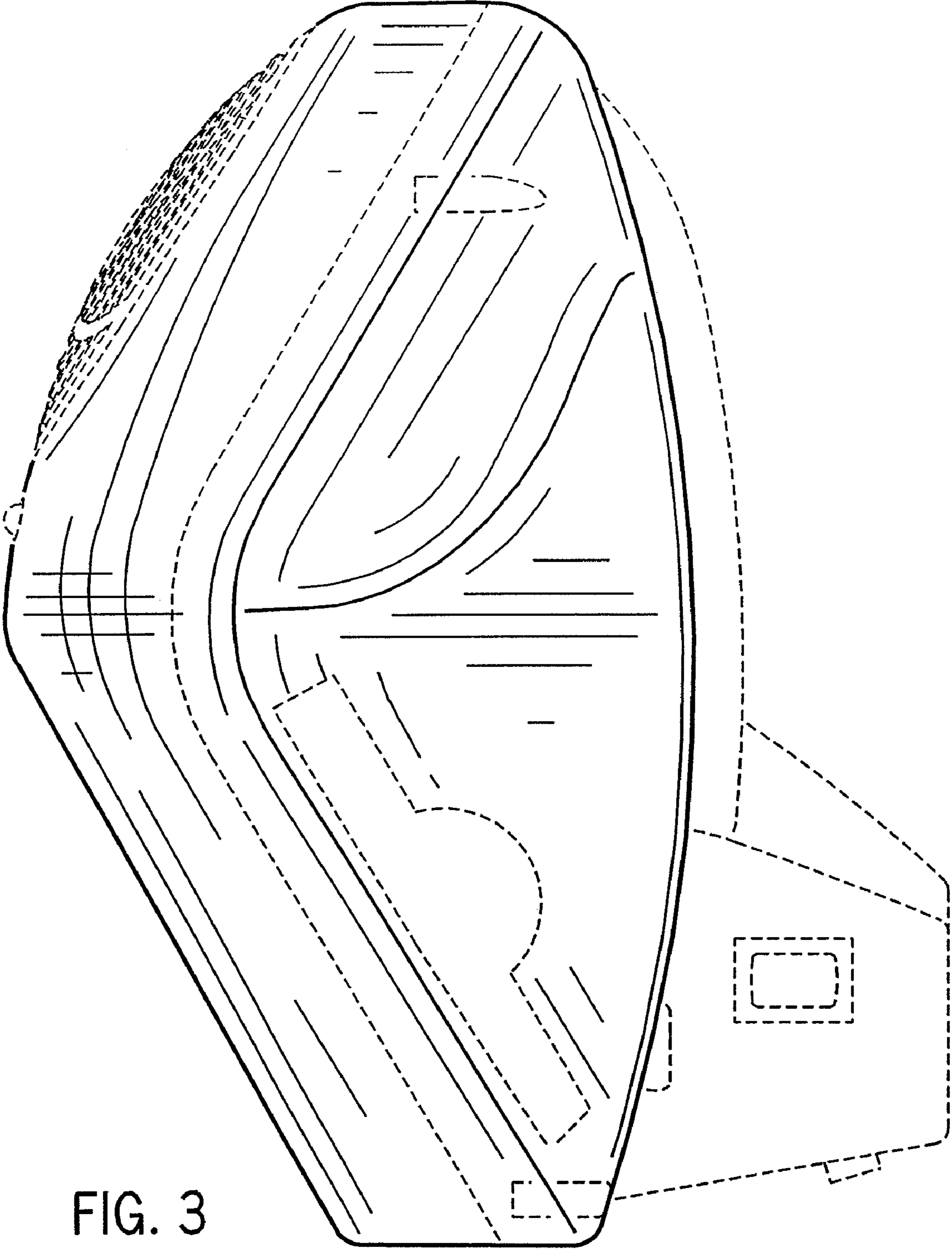


FIG. 3

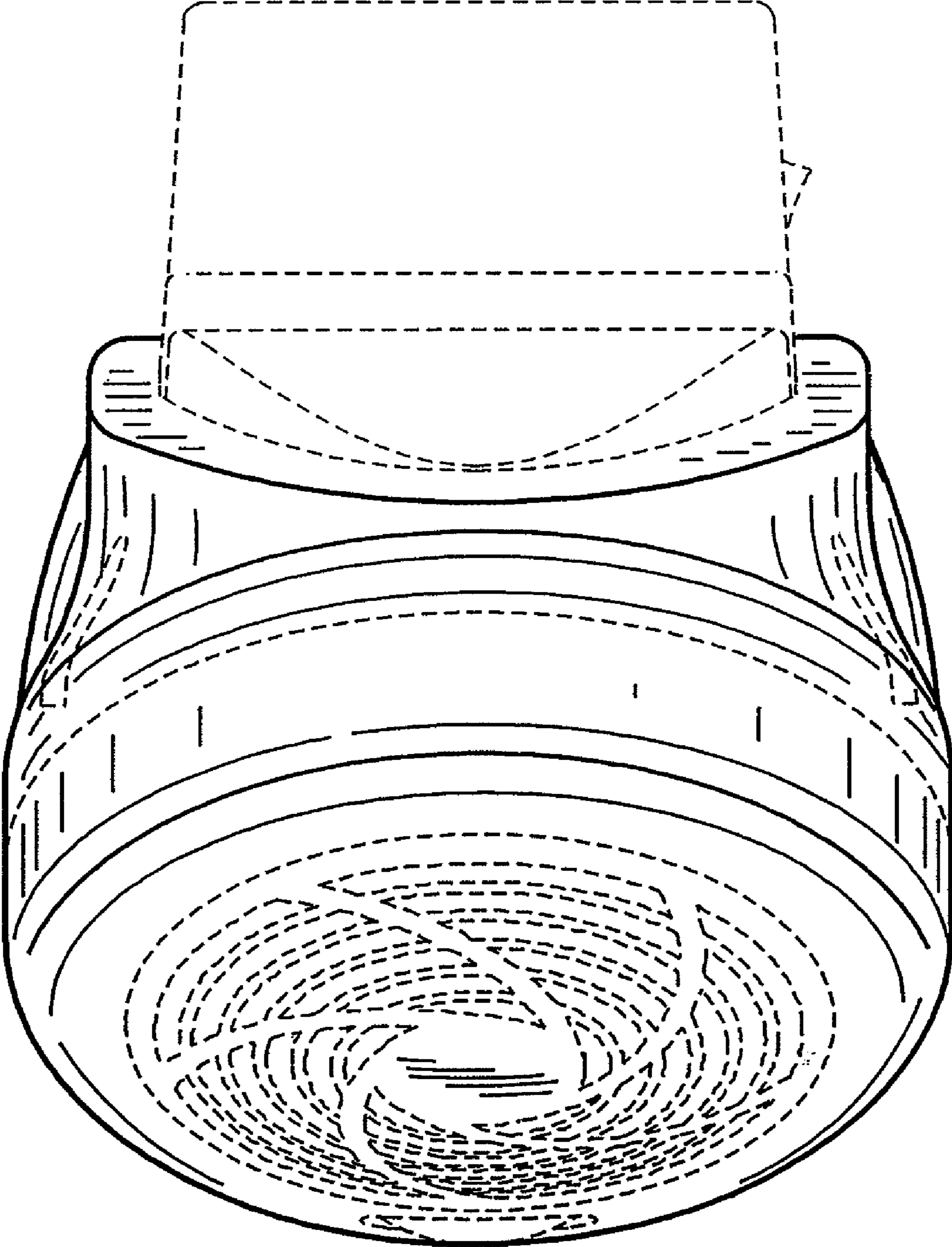


FIG. 4

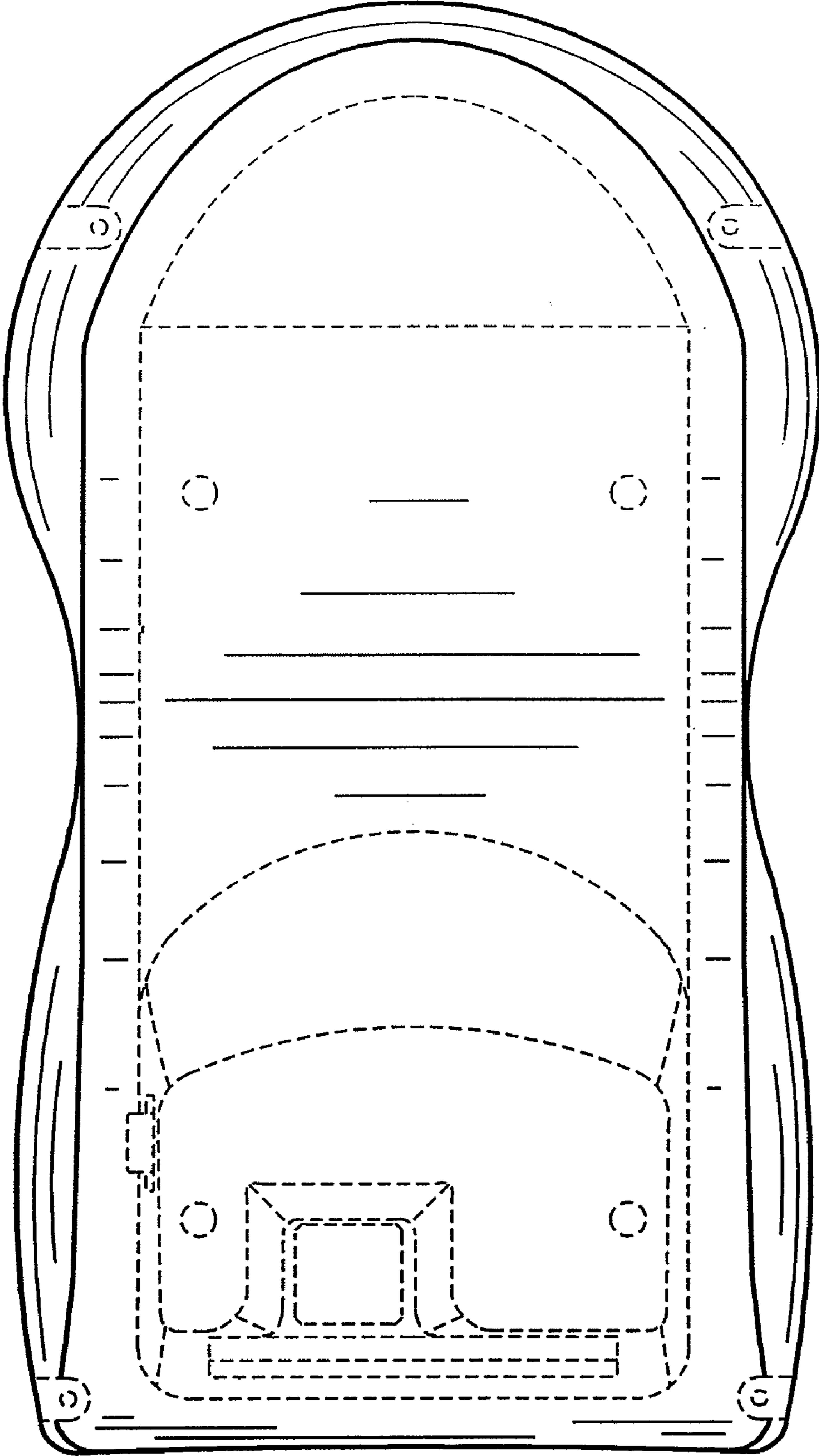


FIG. 5

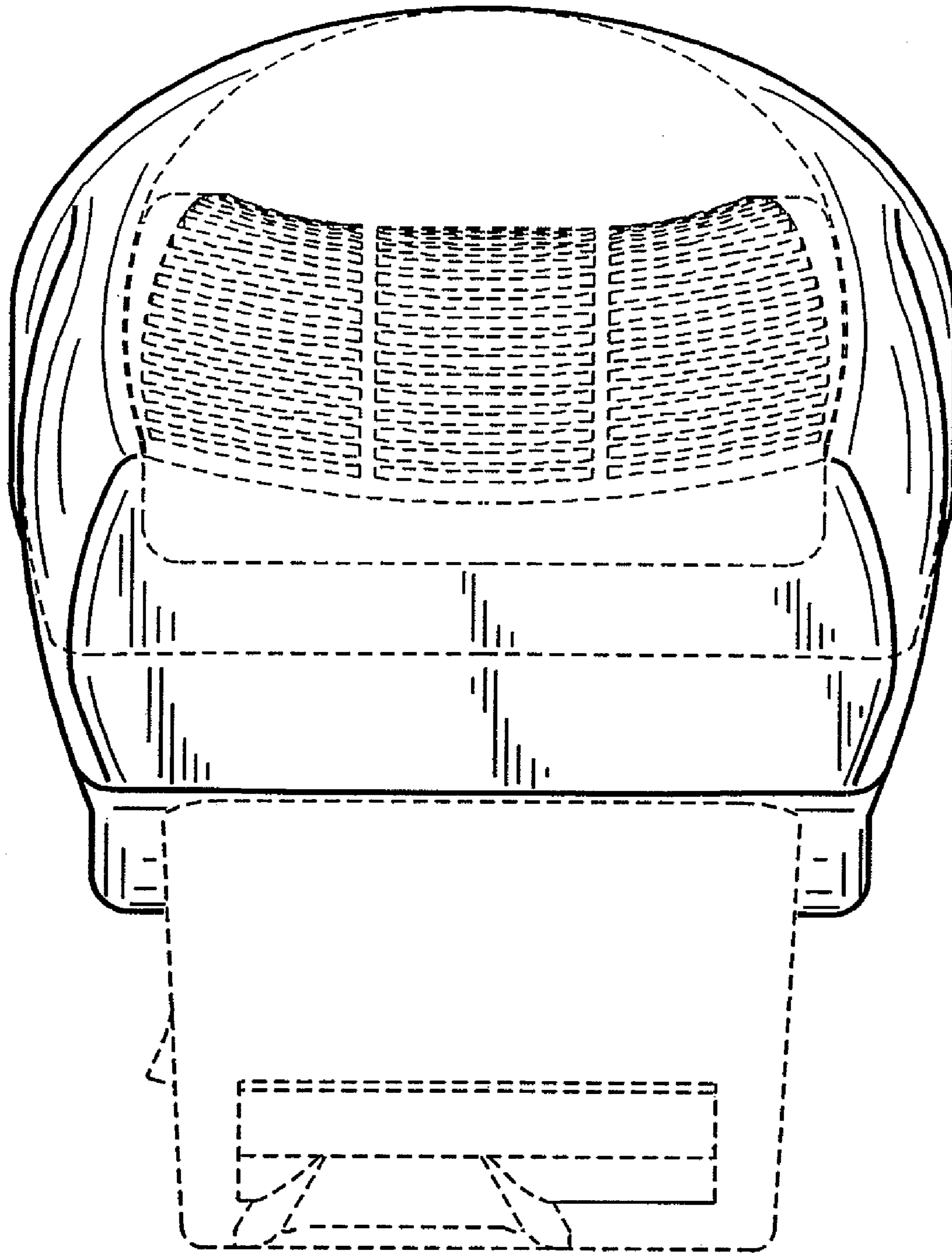


FIG. 6