



US00D572803S

(12) **United States Design Patent**
Clarke

(10) **Patent No.:** **US D572,803 S**

(45) **Date of Patent:** **** Jul. 8, 2008**

(54) **BATHTUB**

D394,696 S * 5/1998 Hundley D23/280.1

(75) Inventor: **Don H. Clarke**, Colleyville, TX (US)

* cited by examiner

(73) Assignee: **Clarke Products, Inc.**, Grand Prairie, TX (US)

Primary Examiner—Robert A Delehanty
(74) *Attorney, Agent, or Firm*—Locke Lord Bissell & Liddell, LLP

(**) Term: **14 Years**

(57) **CLAIM**

(21) Appl. No.: **29/284,029**

The ornamental design for a bathtub, as shown and described.

(22) Filed: **Aug. 29, 2007**

DESCRIPTION

(51) **LOC (8) Cl.** **23-02**

(52) **U.S. Cl.** **D23/277**

(58) **Field of Classification Search** D23/275–277,
D23/304; 4/538, 571.1, 573.1, 589; D24/204–205
See application file for complete search history.

FIG. 1 is a top perspective view of the claimed bathtub;

FIG. 2 is a top plan view thereof;

FIG. 3 is a front elevation view thereof;

FIG. 4 is a left side elevation view thereof;

FIG. 5 is a right side elevation view;

FIG. 6 is a rear elevation view thereof; and,

FIG. 7 is a bottom plan view thereof.

(56) **References Cited**

U.S. PATENT DOCUMENTS

- D339,413 S * 9/1993 Dowse et al. D23/277
- D347,050 S * 5/1994 Gardiner D23/277
- D364,674 S * 11/1995 Thomas et al. D23/280.4

1 Claim, 2 Drawing Sheets

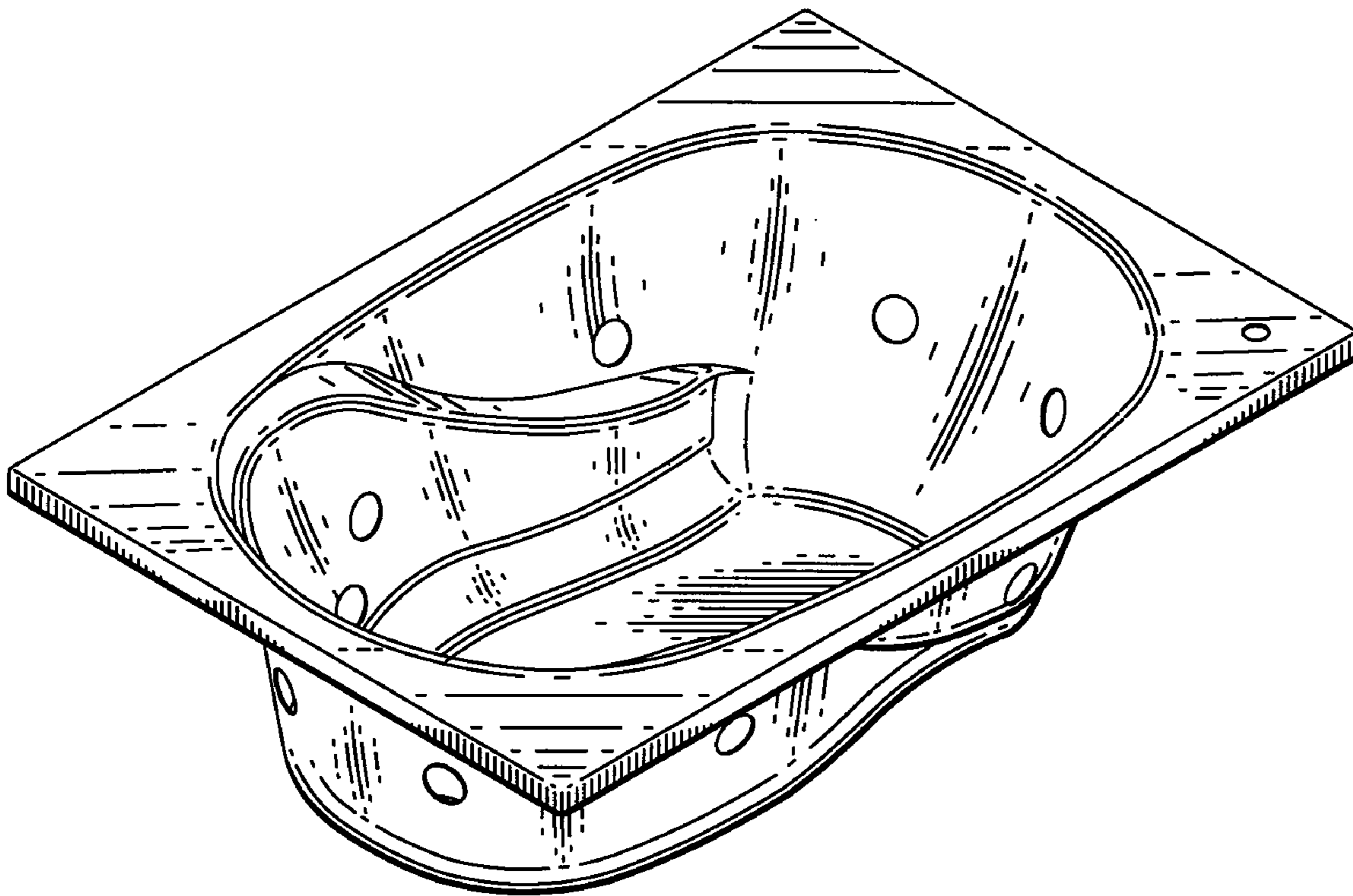


FIG. 1

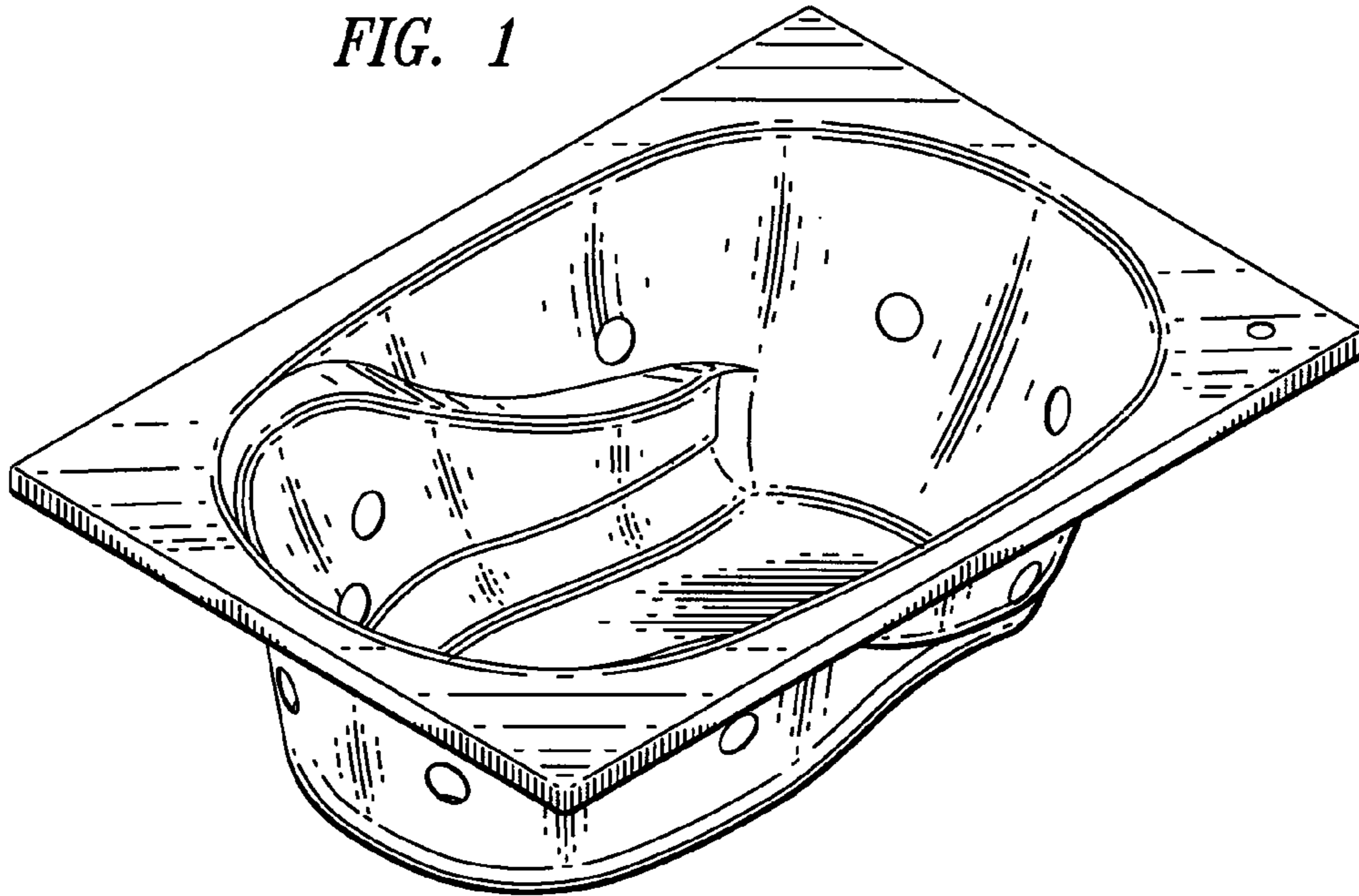


FIG. 2

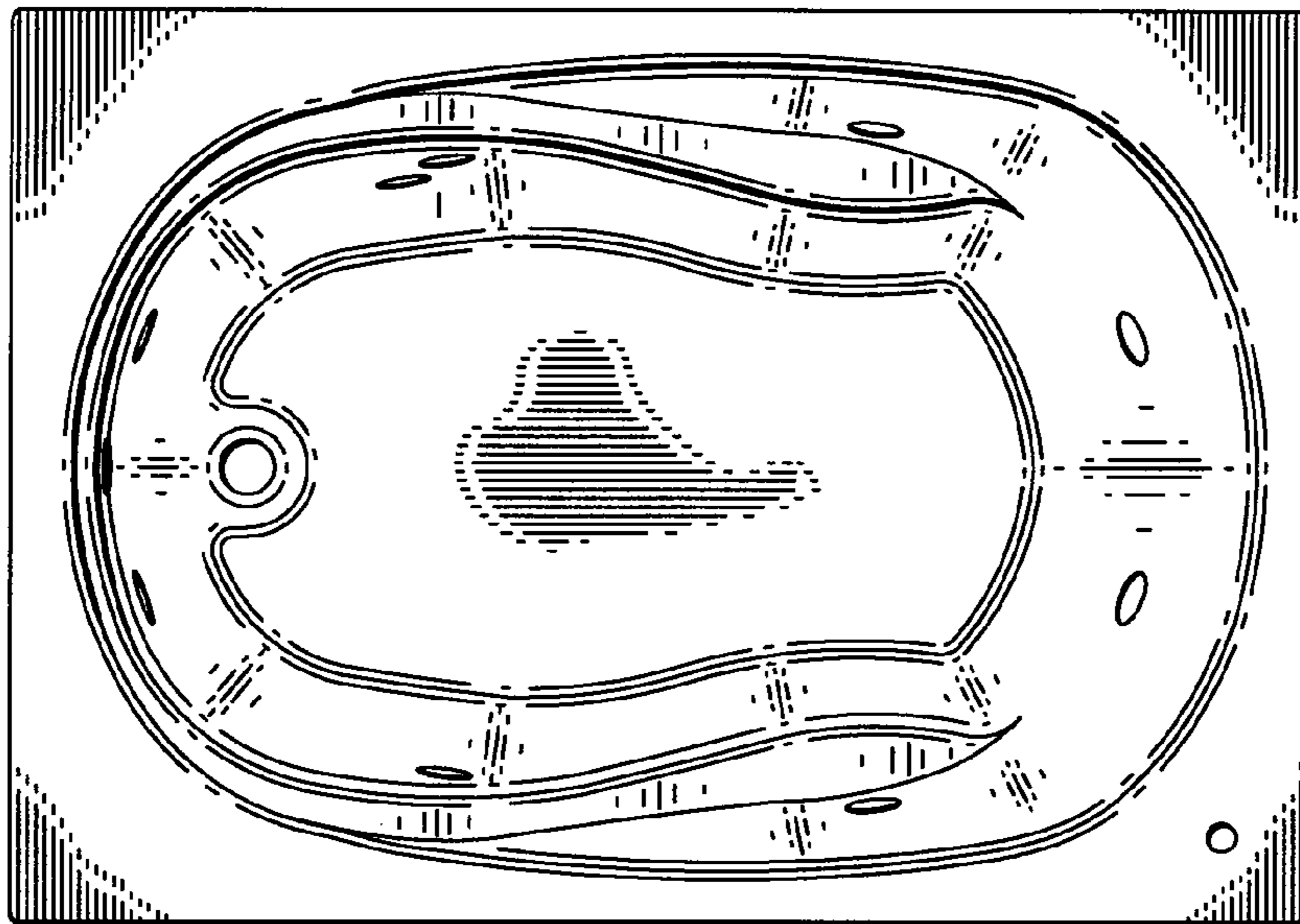


FIG. 3

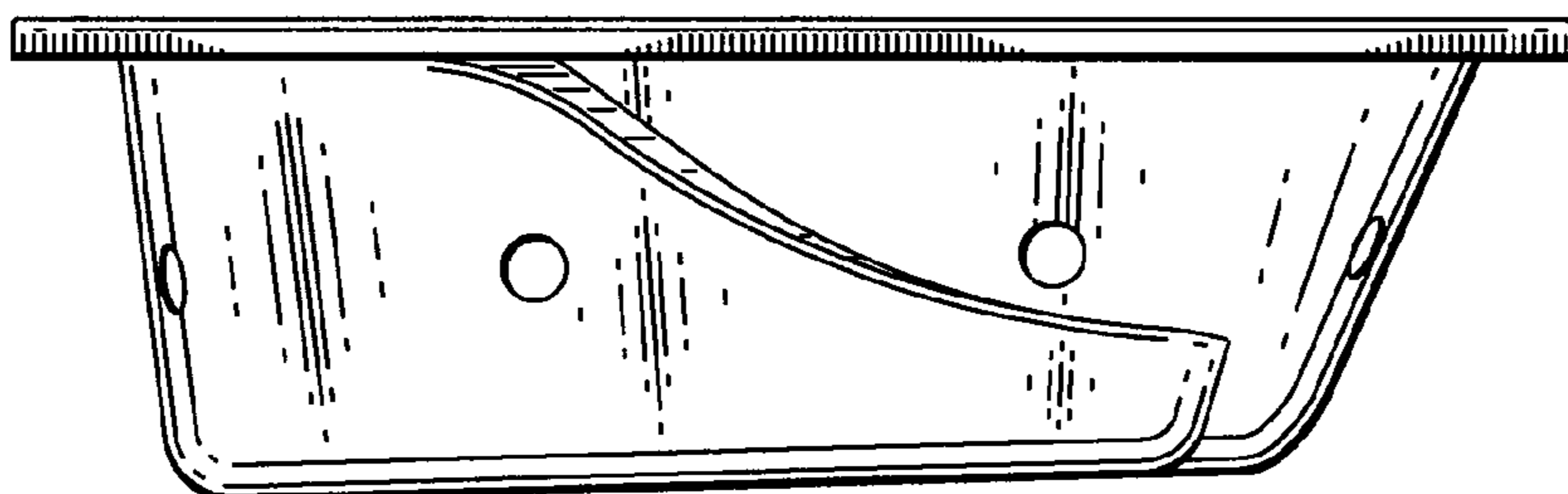


FIG. 4

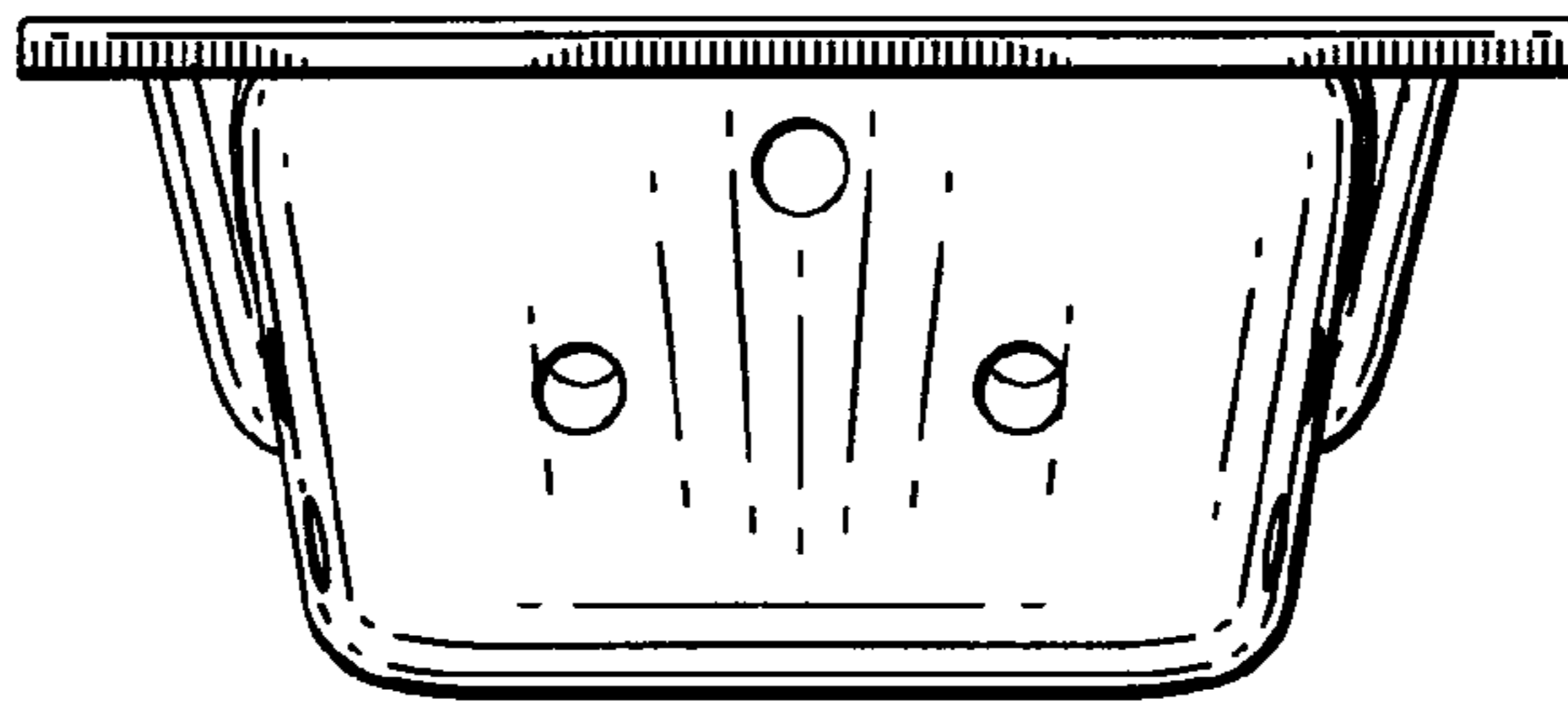


FIG. 5

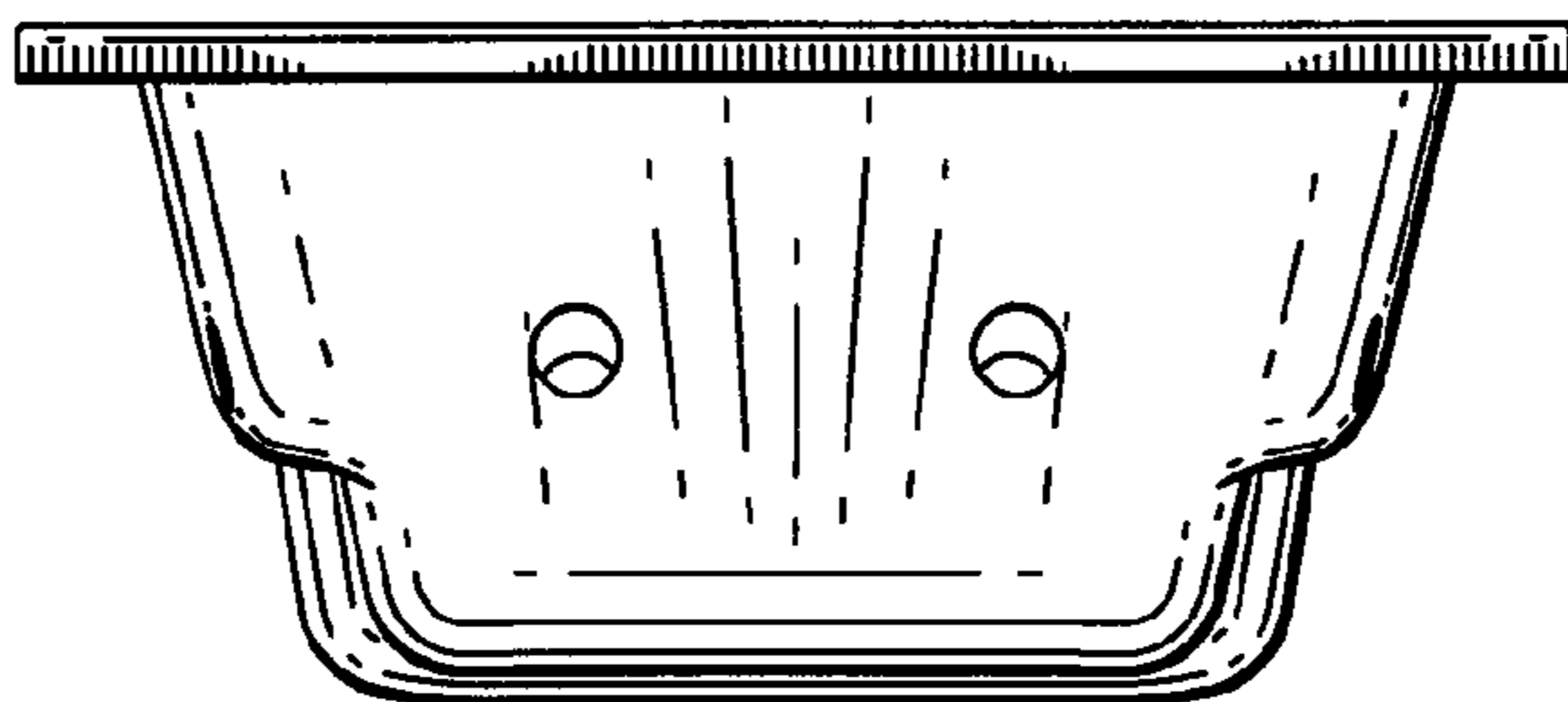


FIG. 6

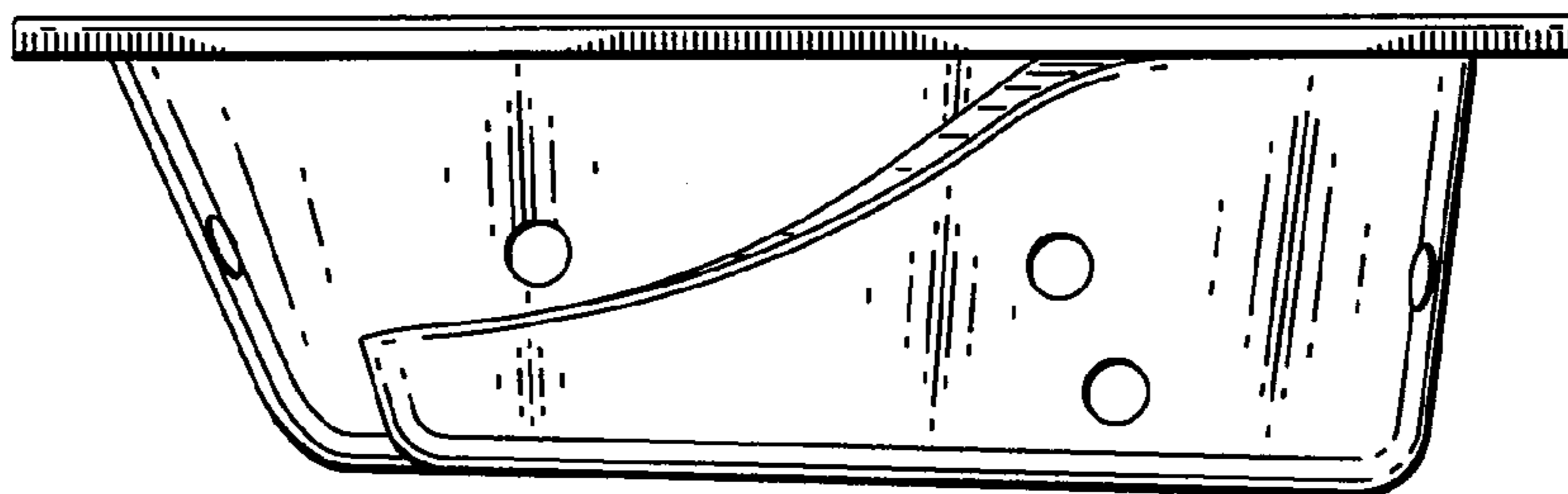


FIG. 7

