



US00D572801S

(12) **United States Design Patent**
Kemp

(10) **Patent No.:** **US D572,801 S**
(45) **Date of Patent:** **** Jul. 8, 2008**

(54) **SPOUT**

(75) Inventor: **Douglas A. Kemp**, North Ridgeville, OH (US)

(73) Assignee: **Moen Incorporated**, North Olmsted, OH (US)

(**) Term: **14 Years**

(21) Appl. No.: **29/244,894**

(22) Filed: **Dec. 14, 2005**

(51) **LOC (8) Cl.** **23-01**

(52) **U.S. Cl.** **D23/255**

(58) **Field of Classification Search** D23/238–250, D23/253–255; 4/671–678; 137/801, 615
See application file for complete search history.

(56) **References Cited**

U.S. PATENT DOCUMENTS

D258,677 S	3/1981	Larsson
D261,300 S	10/1981	Klose
D289,545 S	4/1987	Koch
D313,837 S	1/1991	Heieck
5,103,856 A	4/1992	Fleischmann
5,145,114 A	9/1992	Monch
D332,303 S	1/1993	Klose
D339,848 S	9/1993	Gottwald
D347,265 S	5/1994	Gottwald
D352,766 S	11/1994	Hill et al.
D367,700 S	3/1996	Hill et al.
D371,428 S	7/1996	Gottwald
D372,958 S	8/1996	Gottwald
D385,338 S	10/1997	Burchard et al.
D390,919 S	2/1998	Lobermeier
D400,966 S	11/1998	Ratzlaff
5,884,662 A	3/1999	Ko
D410,275 S	5/1999	Lipshitz
D411,606 S	6/1999	Ouyoung
D416,979 S	11/1999	Bosio

D419,222 S	1/2000	Lord
D421,291 S	2/2000	Fabian et al.
6,045,062 A	4/2000	Bosio
D424,163 S	5/2000	Haug et al.
D425,177 S	5/2000	Bosio
D432,214 S	* 10/2000	Spangler D23/238
D432,217 S	* 10/2000	Spangler D23/255
D437,390 S	2/2001	Fleischmann
D443,338 S	6/2001	Chang
D447,215 S	8/2001	Ben-Tsur
D459,437 S	6/2002	Christianson
D461,875 S	8/2002	Gottwald
D462,419 S	9/2002	Gottwald
D464,112 S	* 10/2002	Spangler et al. D23/238
D465,261 S	11/2002	Chen

(Continued)

Primary Examiner—Louis S Zarfaz
Assistant Examiner—David G Muller
(74) *Attorney, Agent, or Firm*—Calfee, Halter & Griswold LLP

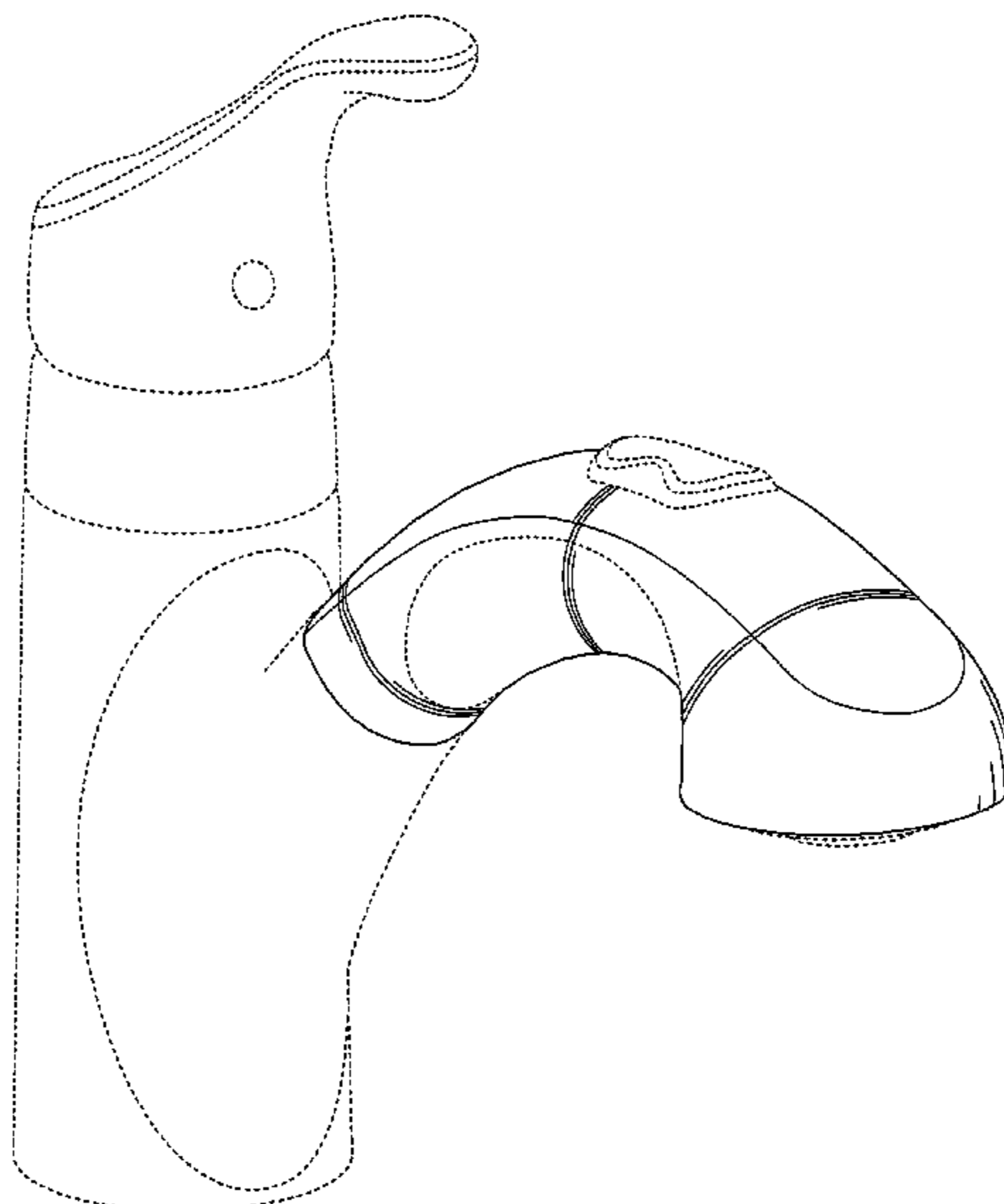
(57) **CLAIM**

The ornamental design for a spout, as shown and described.

DESCRIPTION

FIG. 1 is a perspective view of a spout of the new design;
FIG. 2 is a front elevation view thereof, shown at a larger scale;
FIG. 3 is a rear elevation view thereof, shown at a larger scale;
FIG. 4 is a left side elevation view thereof;
FIG. 5 is a right side elevation view thereof;
FIG. 6 is a top plan view thereof; and,
FIG. 7 is a bottom plan view thereof.
The portions of the Figures shown in broken lines are not part of the claimed design and are for illustration only.

1 Claim, 3 Drawing Sheets



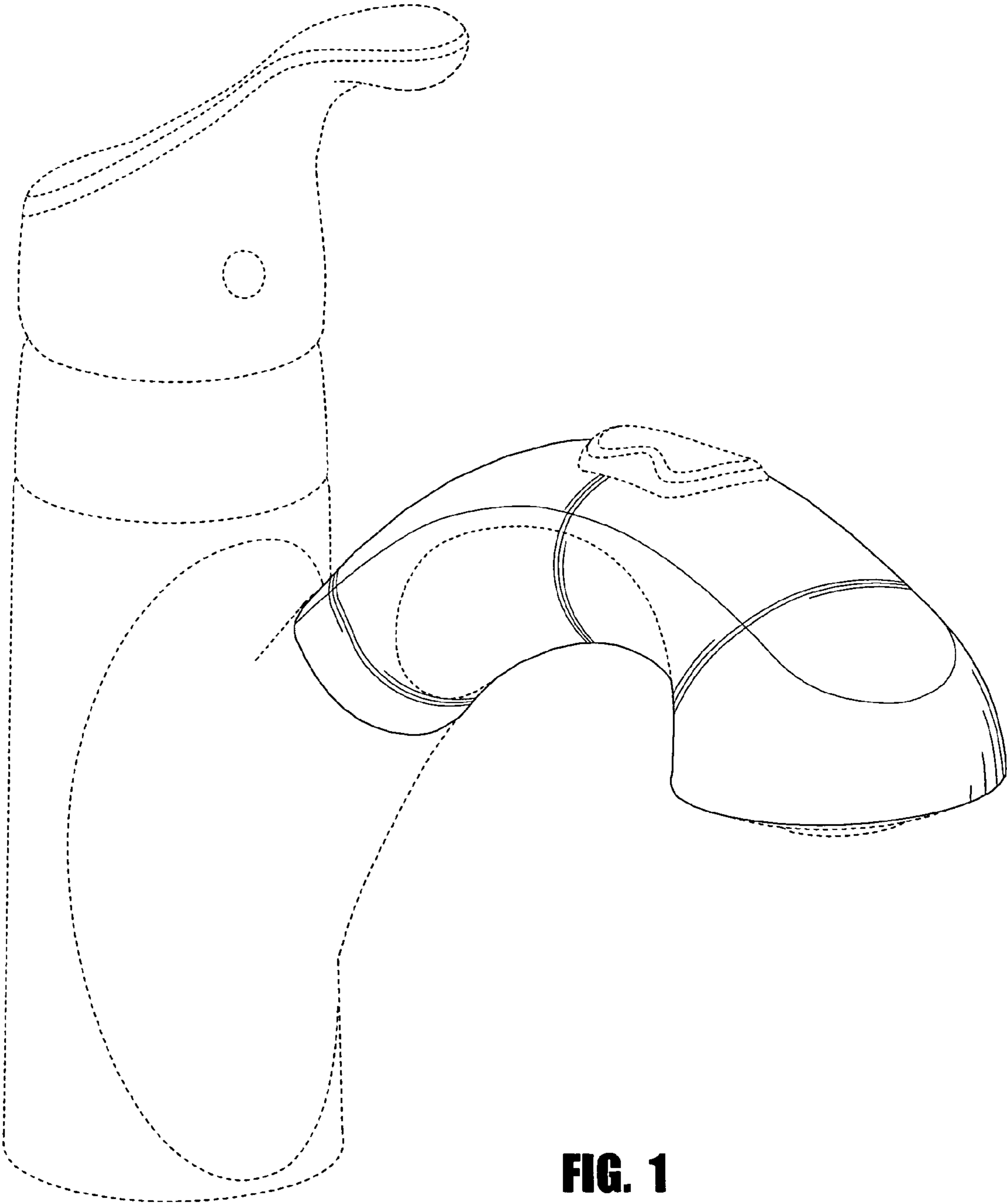
US D572,801 S

Page 2

U.S. PATENT DOCUMENTS

D473,287 S	4/2003	Hsu	
D476,396 S *	6/2003	Hanna	D23/238
D476,720 S	7/2003	Hanna	
D477,652 S	7/2003	Itoh	
D484,948 S	1/2004	Green et al.	
D487,302 S	3/2004	Enslin	
D488,211 S	4/2004	Lord	
6,729,349 B2	5/2004	Brandebusemeyer	
D510,760 S *	10/2005	Blomstrom	D23/255
D514,665 S *	2/2006	Lindholm	D23/238
D528,633 S *	9/2006	Bayer	D23/238
D530,397 S *	10/2006	Buschmann	D23/238
D530,785 S *	10/2006	Rexach et al.	D23/238
D532,870 S *	11/2006	Lobermeier et al.	D23/238
D534,623 S *	1/2007	Fritz	D23/238
D549,305 S *	8/2007	Sedwick	D23/255
D550,330 S *	9/2007	Mullenmeister	D23/238
2003/0051758 A1	3/2003	Brandebusemeyer	
2004/0139544 A1	7/2004	Williams et al.	

* cited by examiner



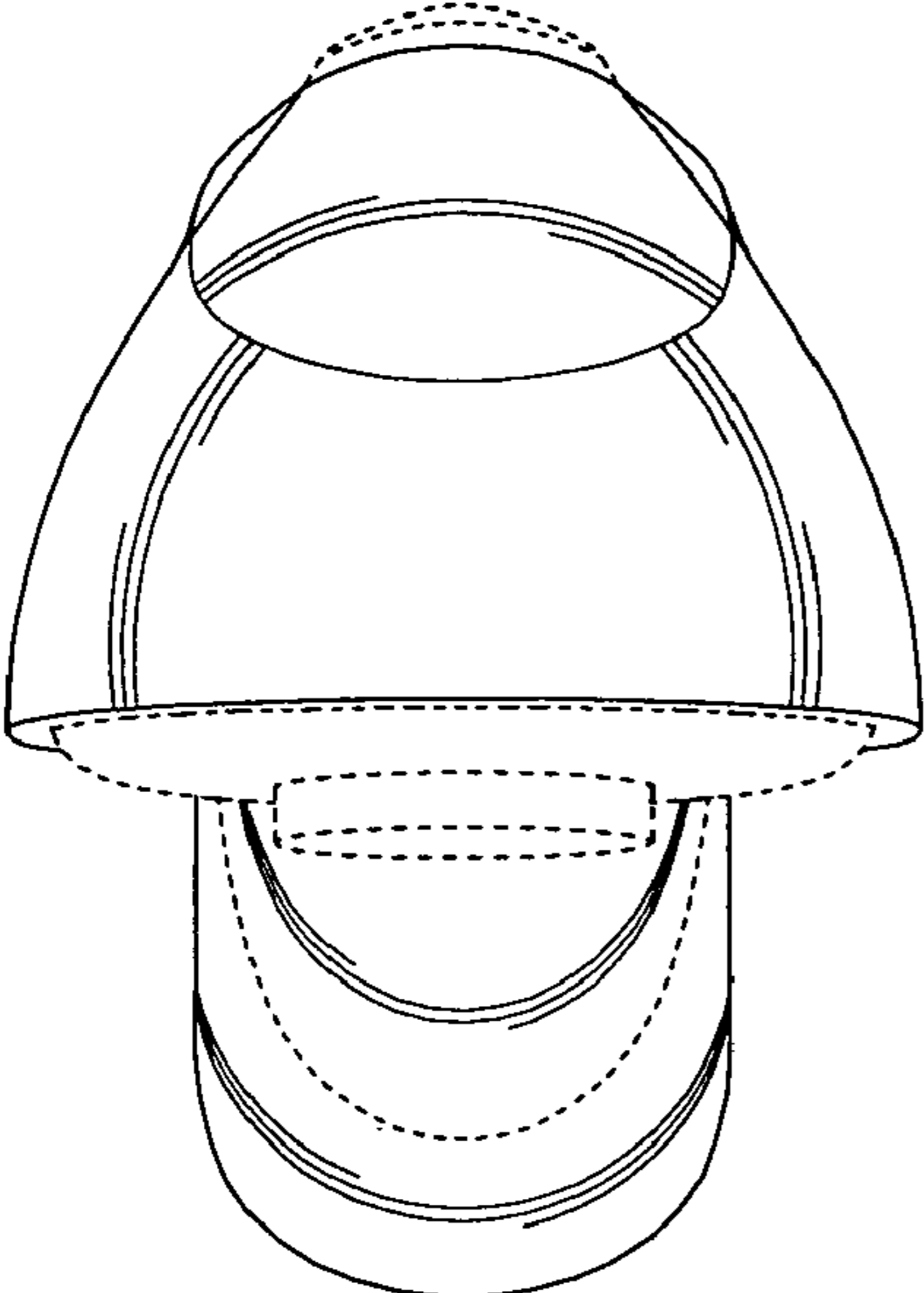


FIG. 2

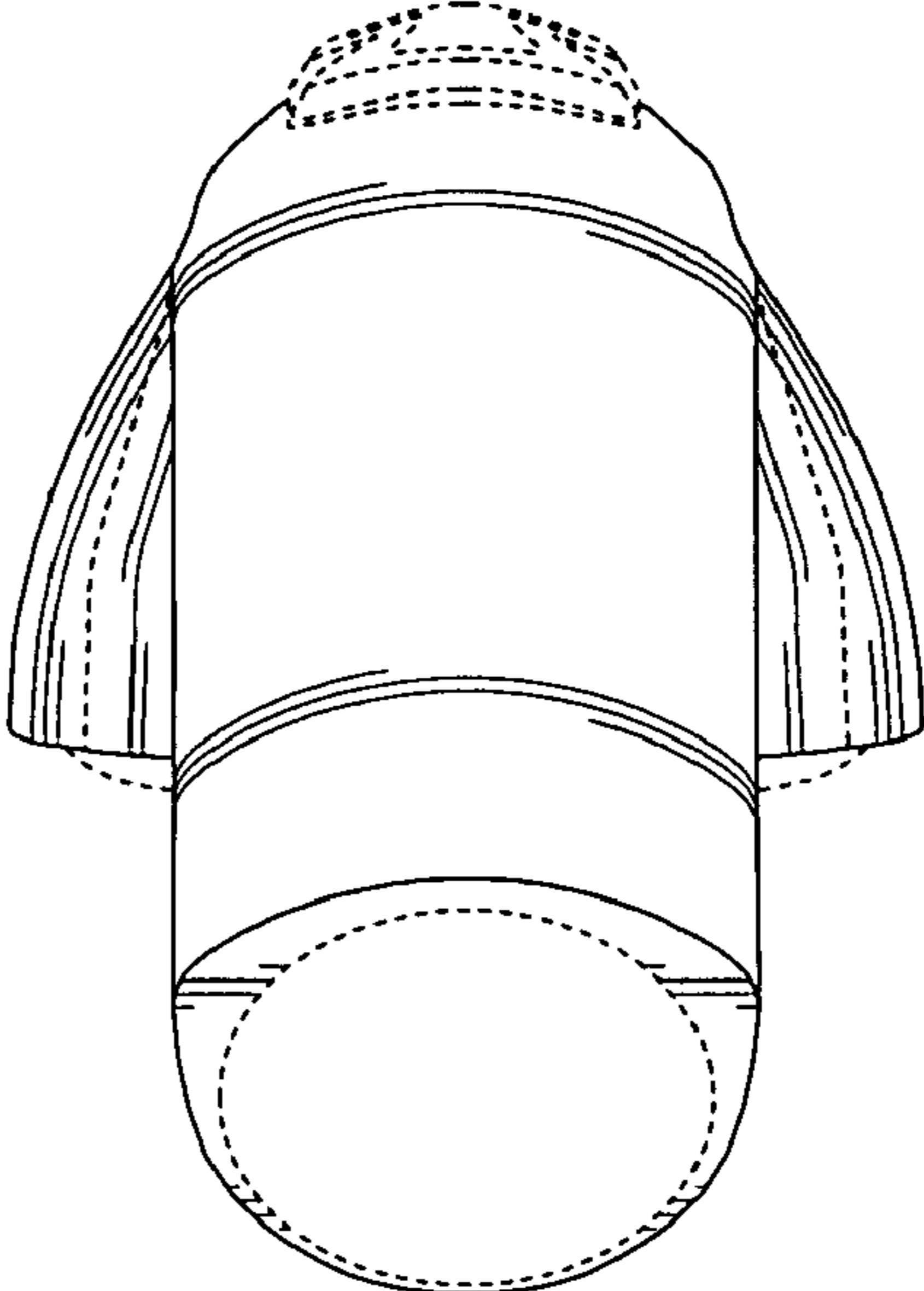


FIG. 3

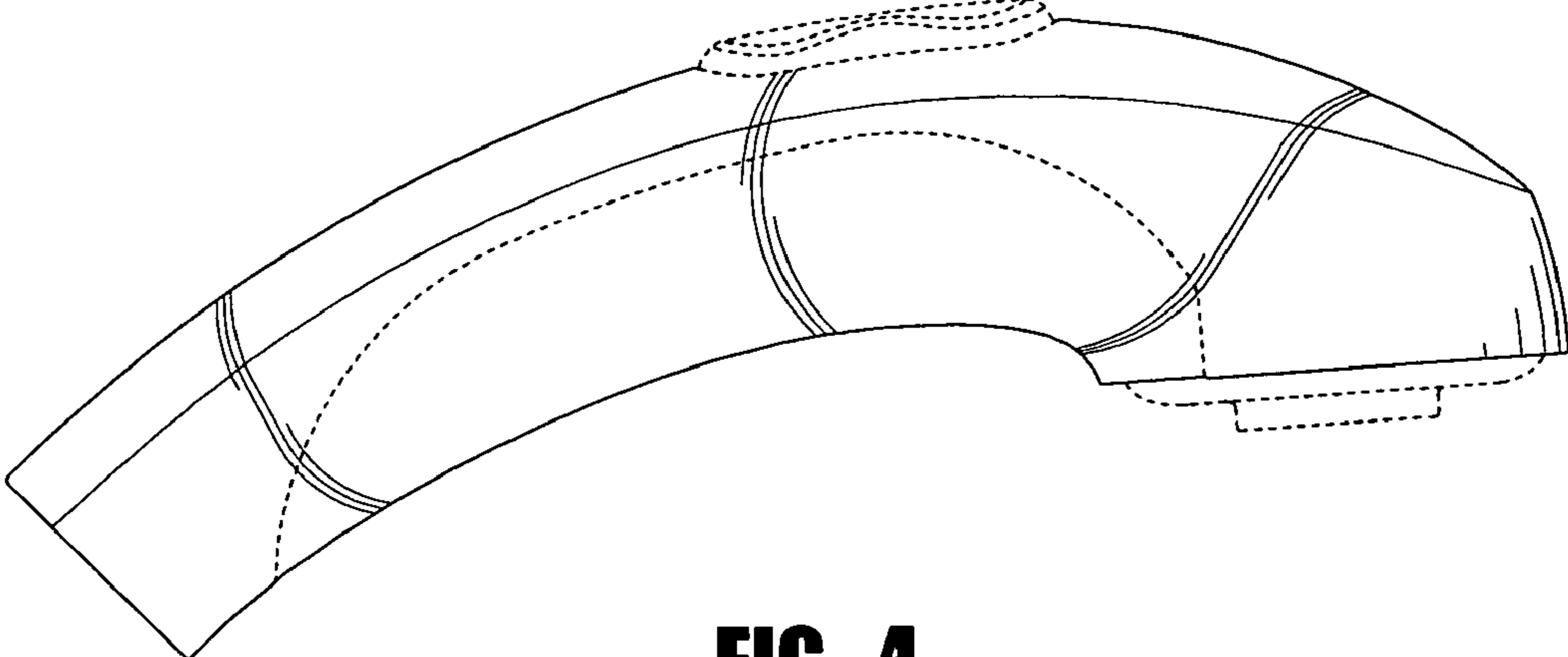


FIG. 4

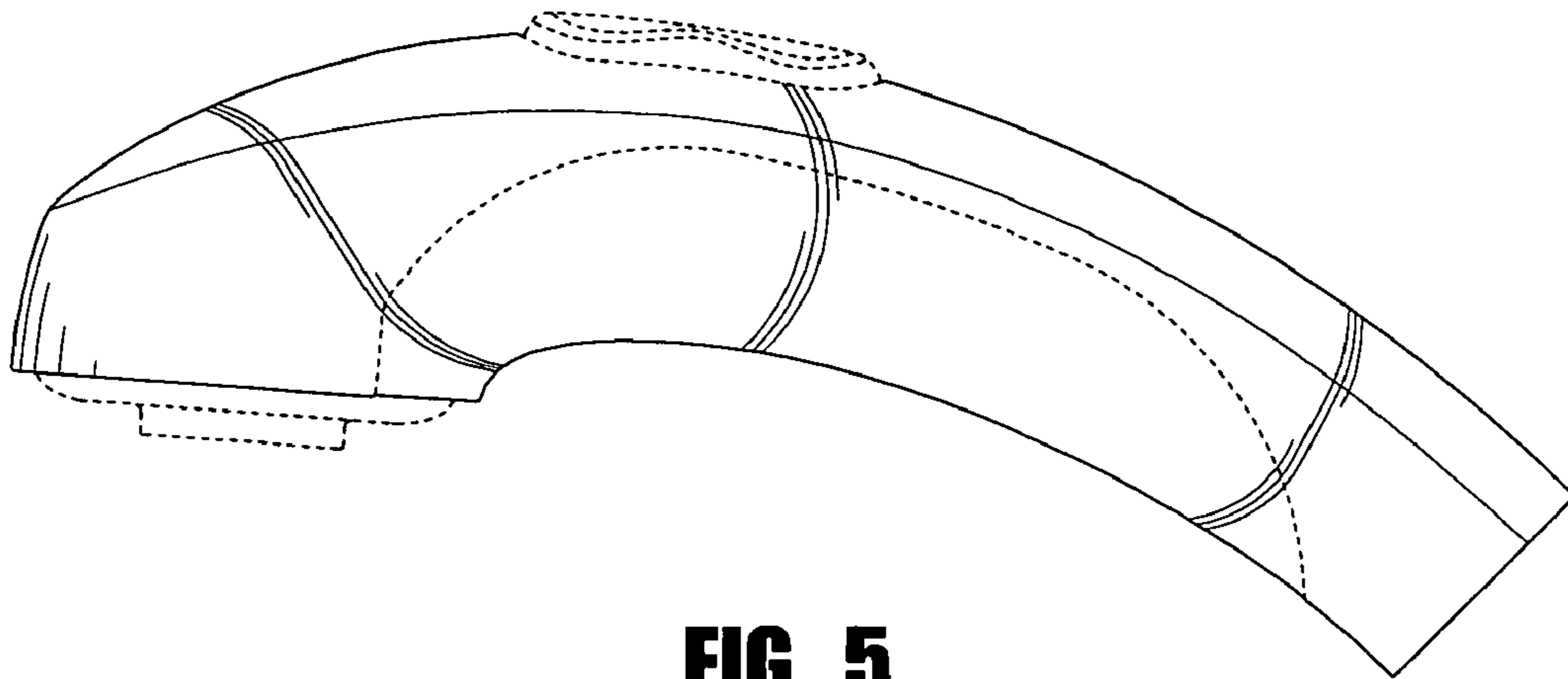


FIG. 5

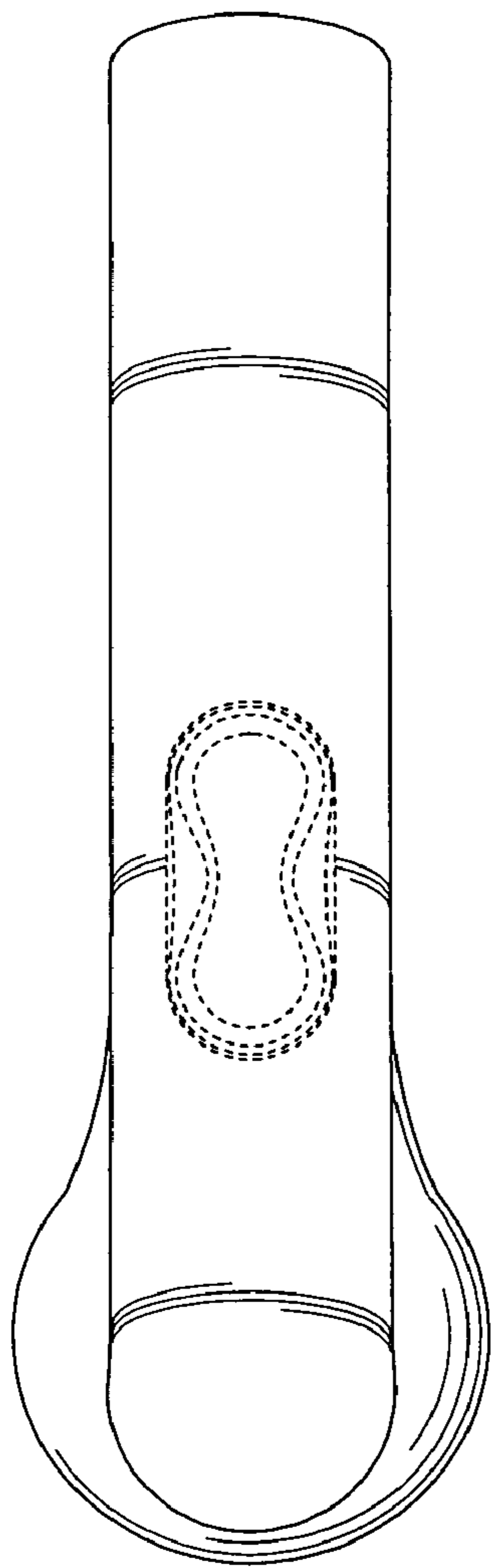


FIG. 6

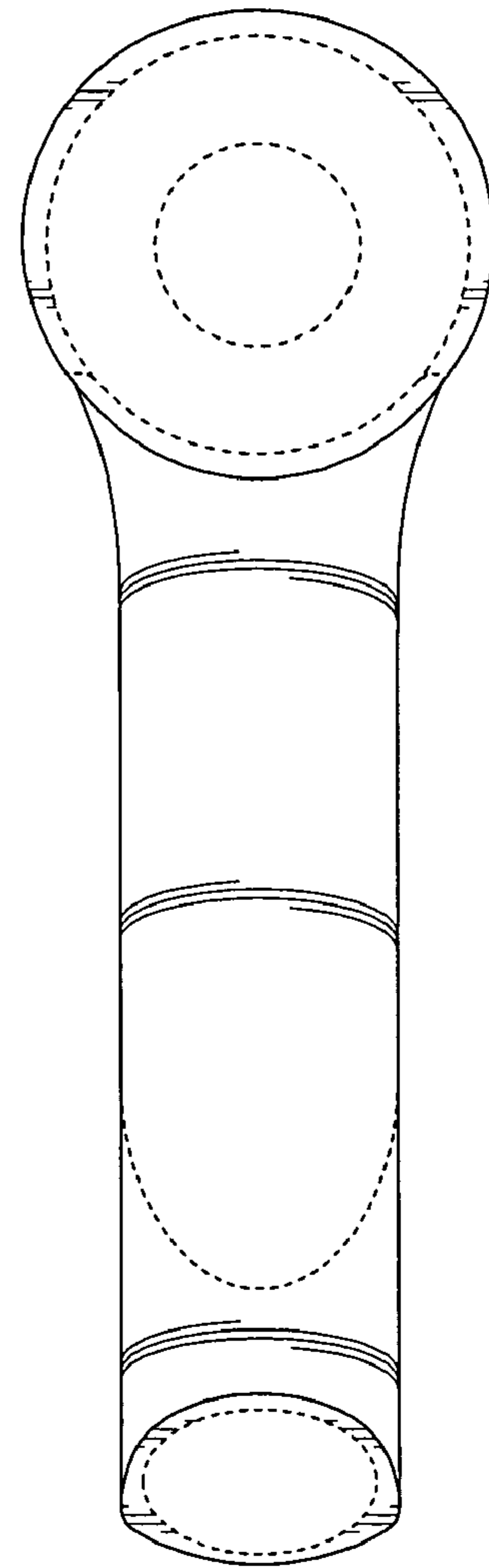


FIG. 7