



US00D572800S

(12) **United States Design Patent**
Vu et al.

(10) **Patent No.:** **US D572,800 S**
(45) **Date of Patent:** **** Jul. 8, 2008**

(54) **PULL OUT WAND**

(75) Inventors: **Vince Vu**, Lawndale, CA (US);
Jonathan Wood, San Juan Capistrano,
CA (US); **Charles Molina**, Lakewood,
OH (US); **Scott Cline**, New Albany, OH
(US); **Patrick Walker**, Pataskala, OH
(US)

(73) Assignee: **Brasstech, Inc.**, Santa Ana, CA (US)

(**) Term: **14 Years**

(21) Appl. No.: **29/275,651**

(22) Filed: **Jan. 3, 2007**

(51) **LOC (8) Cl.** **23-01**

(52) **U.S. Cl.** **D23/249**

(58) **Field of Classification Search** D23/238,
D23/239, 241–245, 249, 250, 255; 4/675–678;
137/801

See application file for complete search history.

(56) **References Cited**

U.S. PATENT DOCUMENTS

D472,961 S *	4/2003	Ziemann	D23/238
D487,798 S *	3/2004	Bayer	D23/238
D520,600 S *	5/2006	Spangler	D23/238
D521,109 S *	5/2006	Lord	D23/238

D526,050 S *	8/2006	Gilbert	D23/249
D531,698 S *	11/2006	Wood et al.	D23/238
D552,717 S *	10/2007	Wood et al.	D23/249
D556,856 S *	12/2007	Buttgen et al.	D23/213

* cited by examiner

Primary Examiner—Ian Simmons

Assistant Examiner—Carissa C Fitts

(74) *Attorney, Agent, or Firm*—Edgar A. Zarins; Lloyd D. Doigan

(57) **CLAIM**

The ornamental design for a pull out wand, as shown and described.

DESCRIPTION

FIG. 1 is a front perspective view of a pull out wand showing our design;

FIG. 2 is a left side elevational view thereof;

FIG. 3 is a right side elevational view thereof;

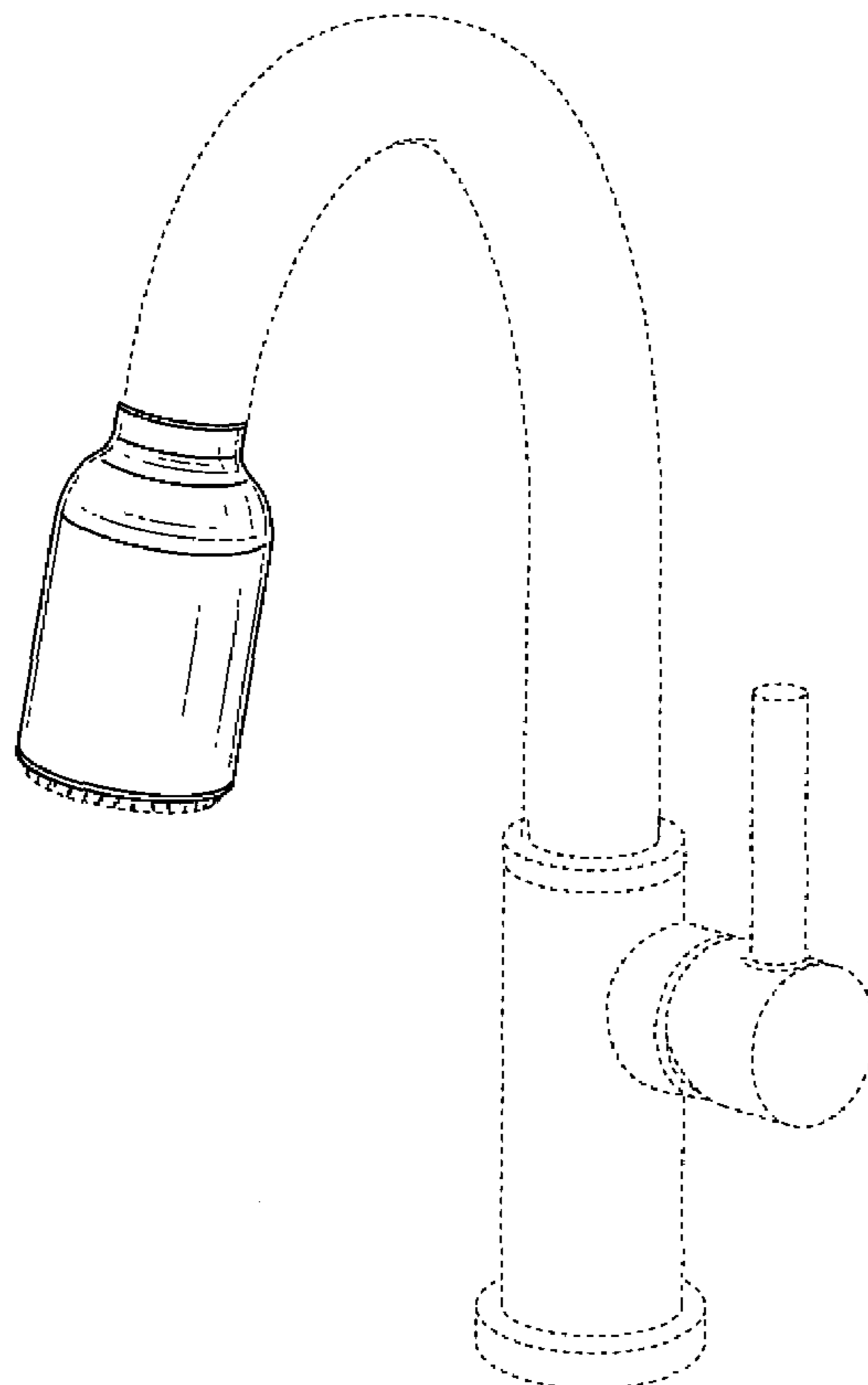
FIG. 4 is a front elevational view thereof;

FIG. 5 is a rear elevational view thereof; and,

FIG. 6 is a top plan view thereof.

The broken lines in the Figures for illustrative purposes only and form no part of the claimed design.

1 Claim, 6 Drawing Sheets



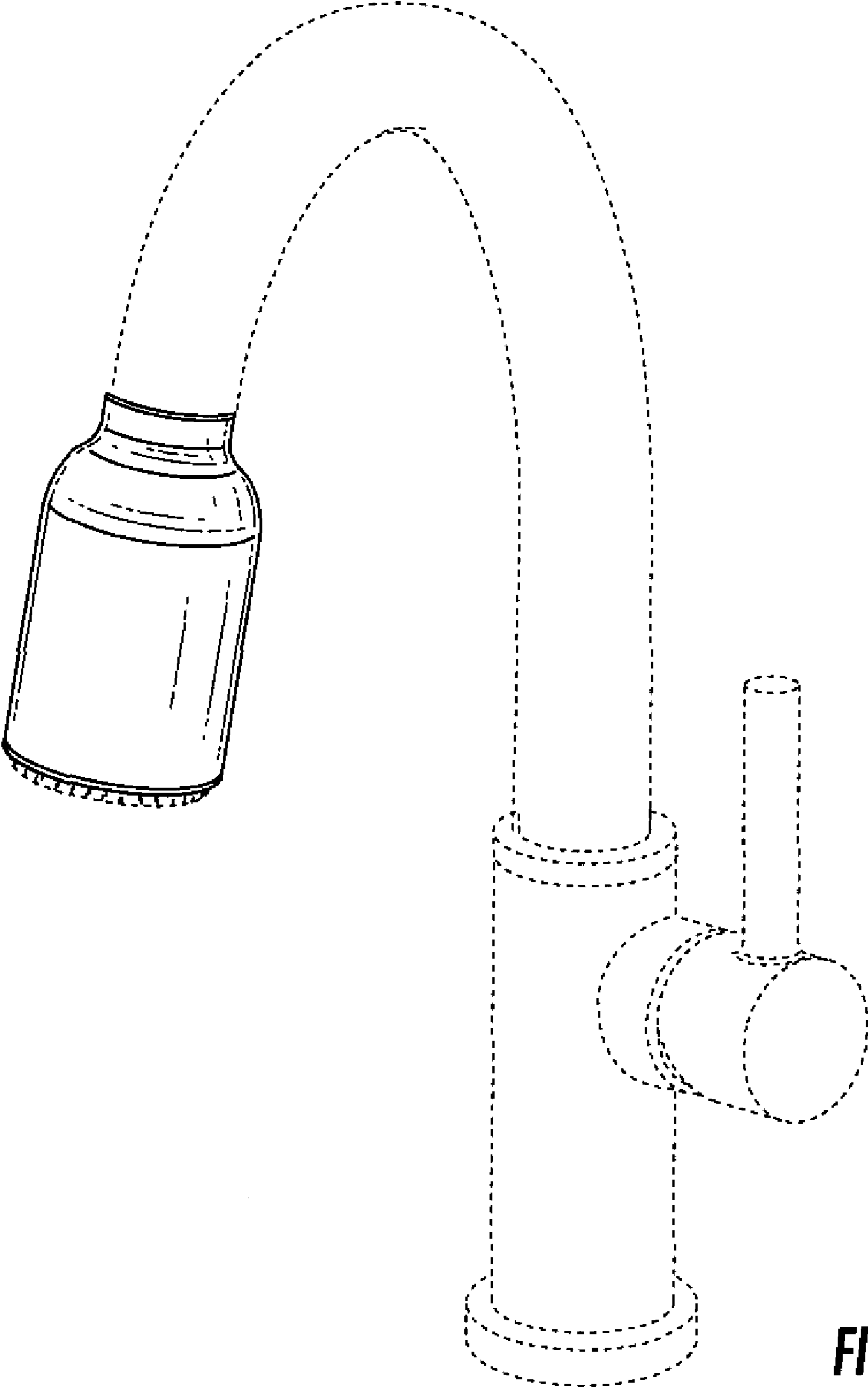


FIG. 1

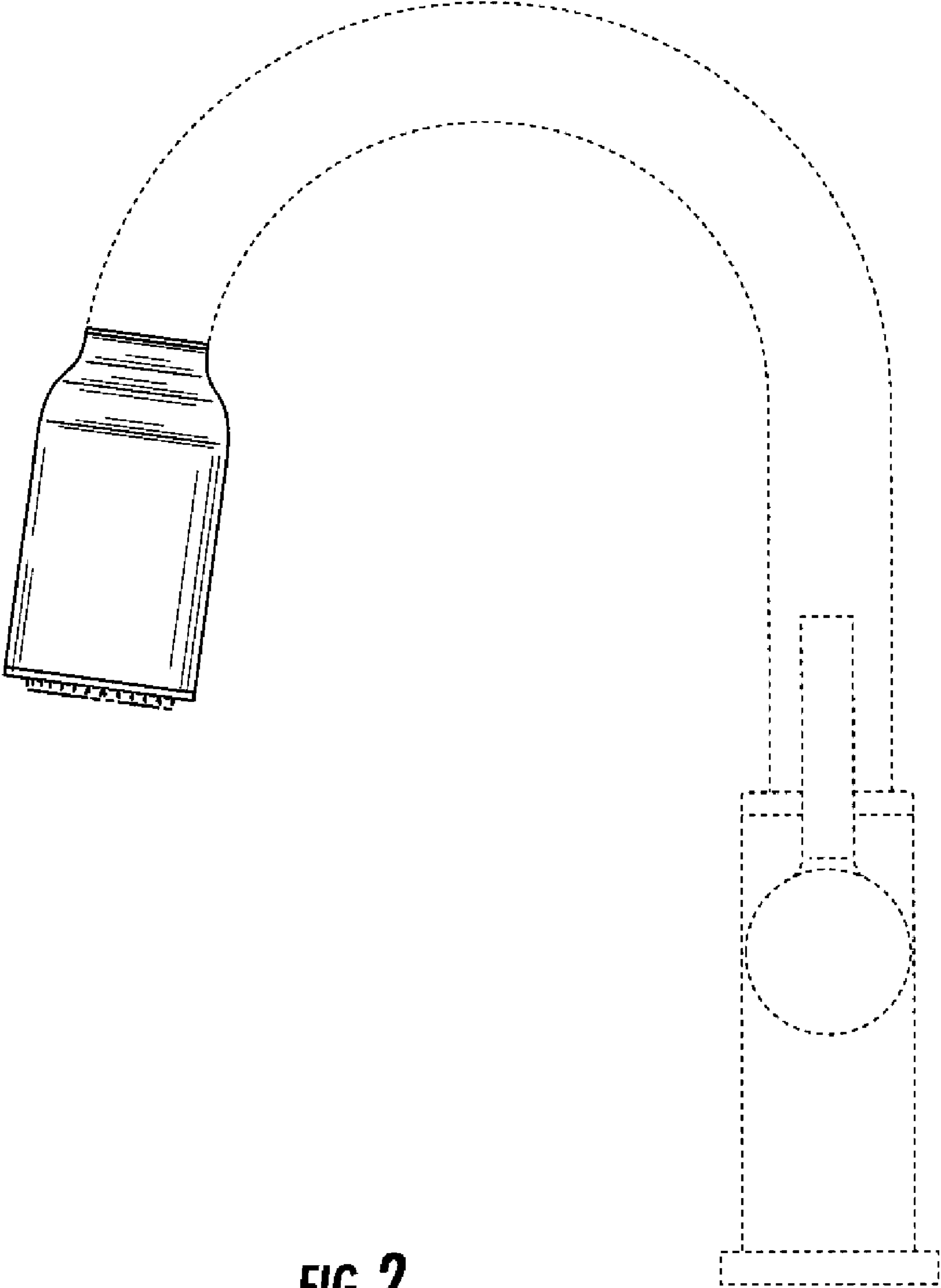


FIG. 2

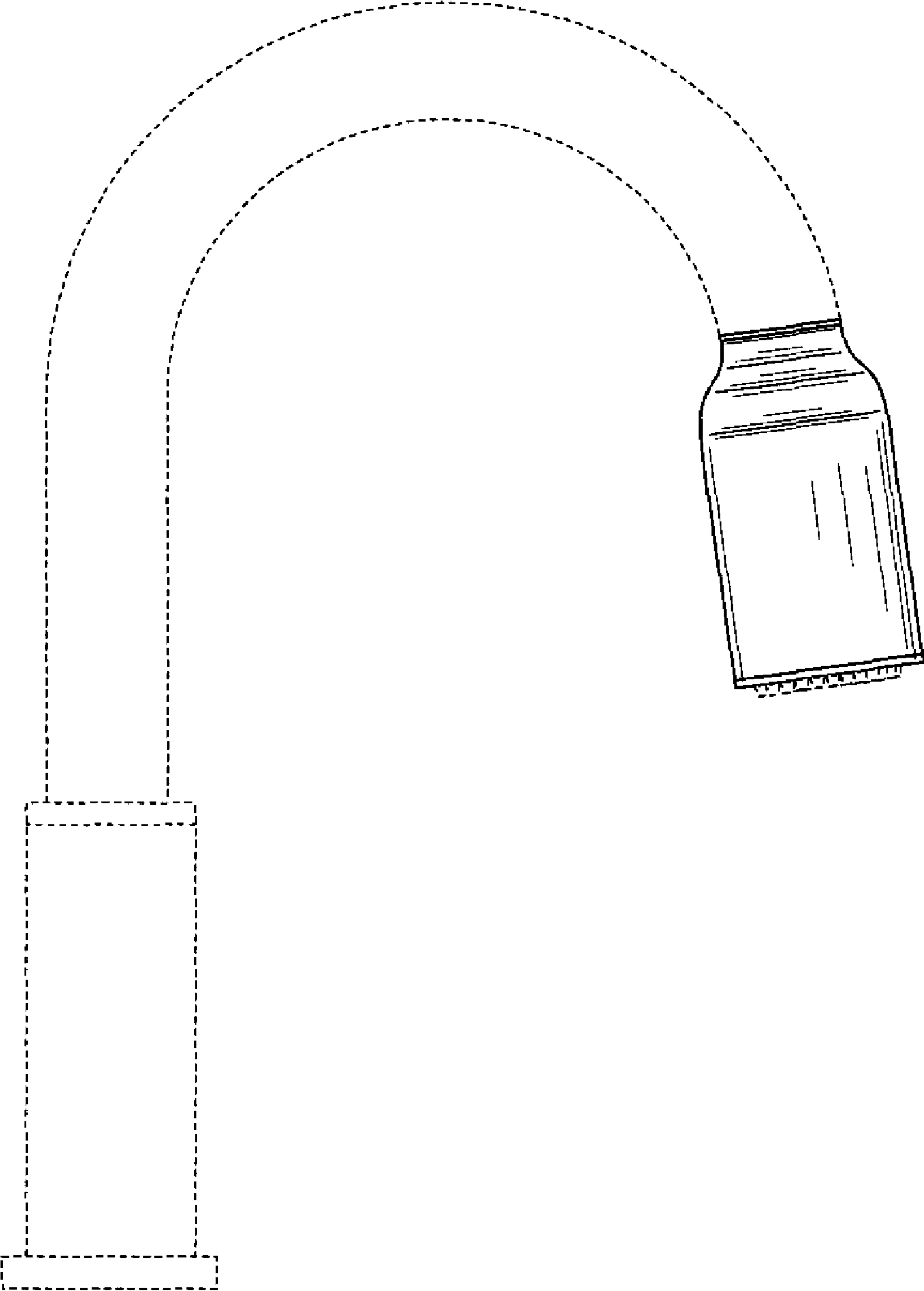


FIG. 3

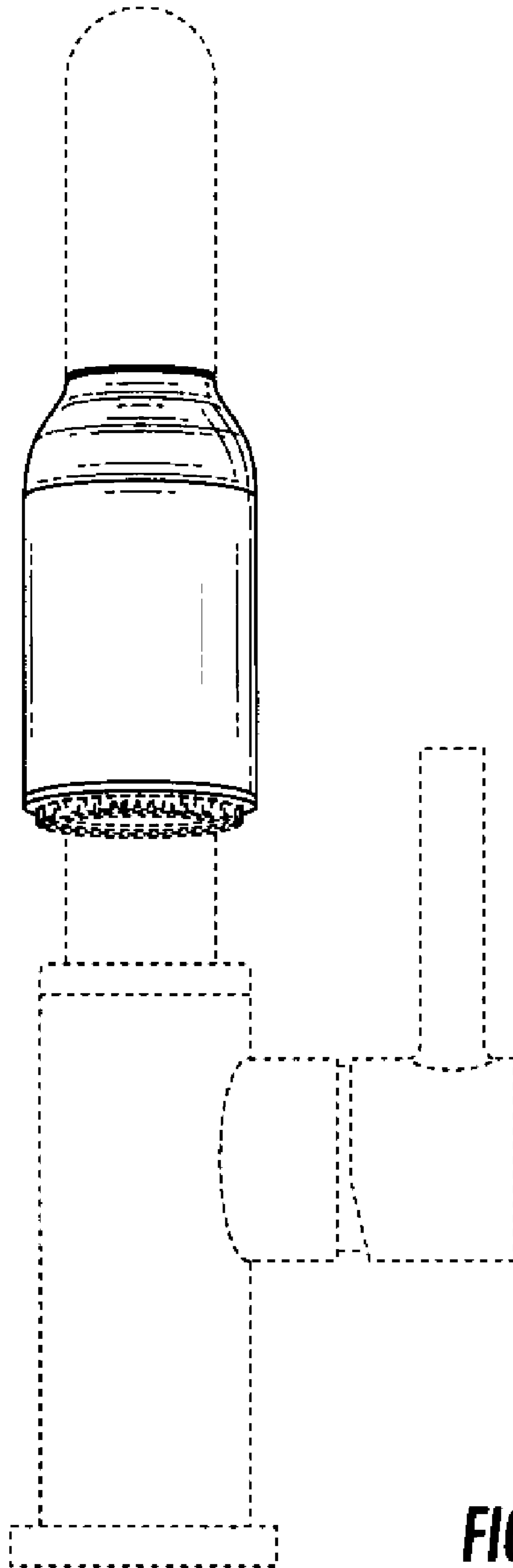


FIG. 4

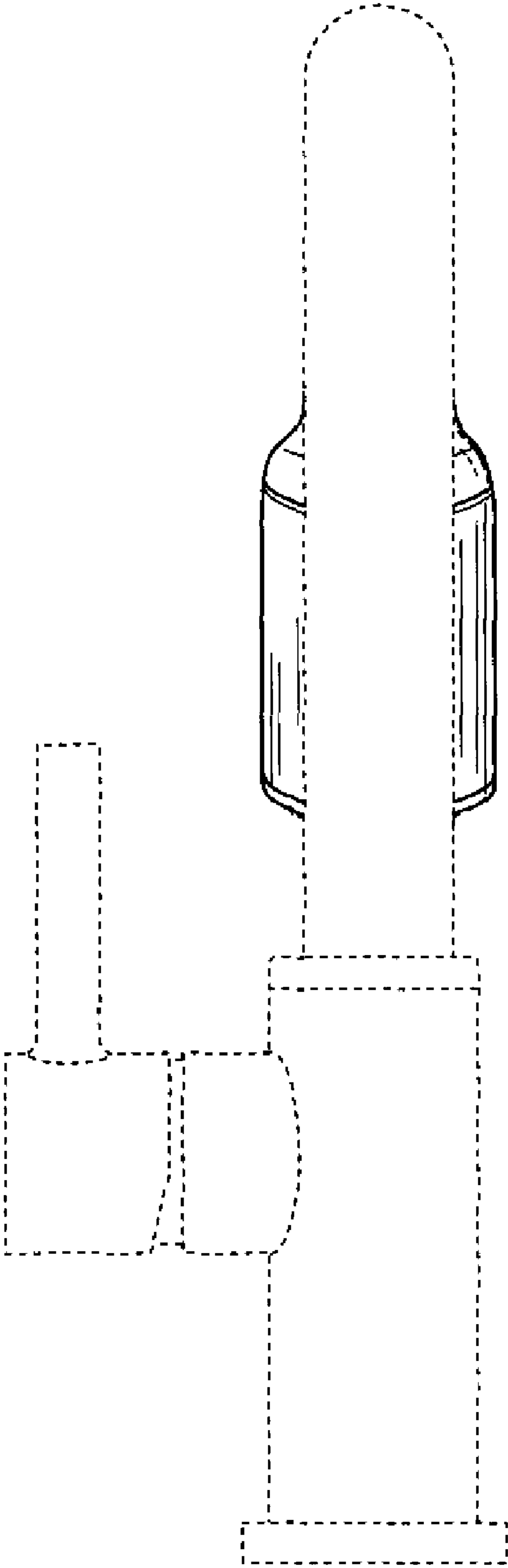


FIG. 5

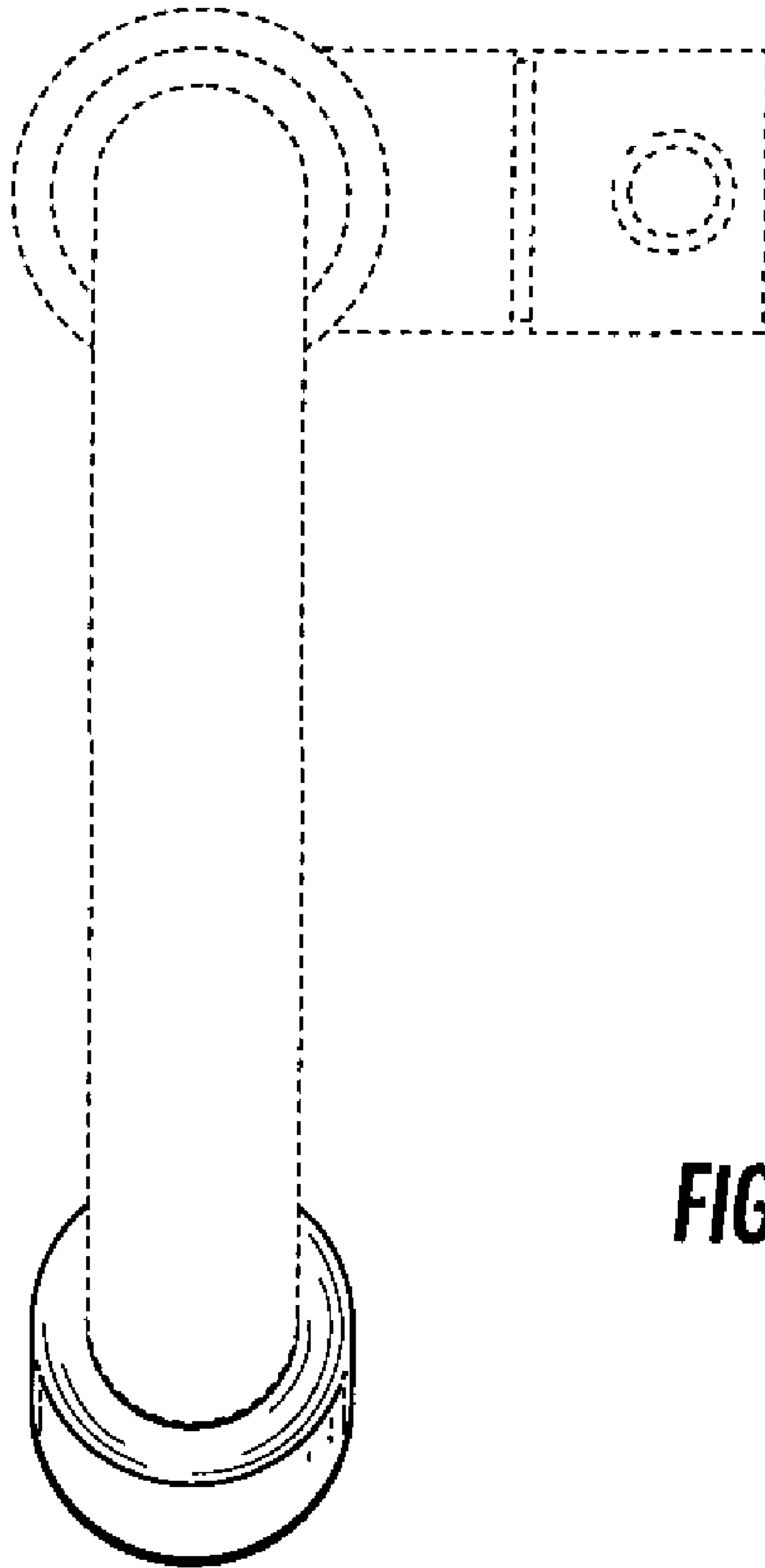


FIG. 6