



US00D572799S

(12) **United States Design Patent**  
**Kohler, Jr. et al.**

(10) **Patent No.:** **US D572,799 S**  
(45) **Date of Patent:** **\*\* Jul. 8, 2008**

(54) **FAUCET**

D529,138 S 9/2006 Chen

(75) Inventors: **Herbert V. Kohler, Jr.**, Kohler, WI (US);  
**Niels J. Eilmus**, Sheboygan, WI (US);  
**Howard M. Montgomery**, Sheboygan,  
WI (US); **Hsin-I C Tsai**, Sheboygan, WI  
(US)

(73) Assignee: **Kohler Co.**, Kohler, WI (US)

(\*\*) Term: **14 Years**

(21) Appl. No.: **29/250,454**

(22) Filed: **Nov. 15, 2006**

(51) **LOC (8) Cl.** ..... **23-01**

(52) **U.S. Cl.** ..... **D23/241**

(58) **Field of Classification Search** ..... D23/200,  
D23/238-257; D6/512, 546, 550; D8/300,  
D8/307-308, 310-312, 321; 4/675-678;  
137/801; 16/110.1, 441

See application file for complete search history.

(56) **References Cited**

**U.S. PATENT DOCUMENTS**

D175,819 S	10/1955	Young	
D318,901 S	8/1991	Rodstein	
D368,302 S	* 3/1996	Doughty et al.	D23/241
D406,876 S	* 3/1999	Ko	D23/241
D516,178 S	* 2/2006	Shieh	D23/241
D519,613 S	4/2006	Spangler	
D520,603 S	* 5/2006	Fritz	D23/241
D521,111 S	* 5/2006	Koury et al.	D23/241
D521,116 S	5/2006	Hoernig	
D521,120 S	* 5/2006	Koury et al.	D23/255
D521,602 S	* 5/2006	En-Min et al.	D23/241
D526,047 S	8/2006	Koury	
D529,137 S	* 9/2006	Chu et al.	D23/241

**OTHER PUBLICATIONS**

Danze. "Opulence". Model No. D306257. Faucet.com online catalog. Copyright 1994-2006.  
Moen. "Waterhill". Model No. S412. Faucet.com online catalog. Copyright 1994-2006.  
Kohler Co. "Lyntier Lavatory Faucet". Model No. K-10331-4. Kohler Co. online catalog. Copyright 2006 Kohler Co.  
Jacob Delafon. "Palacio". Model E 72211. Jacob Delafon "Bathroom Collection" catalog.

\* cited by examiner

*Primary Examiner*—Robert A. Delehanty

*Assistant Examiner*—Mark Cavanna

(74) *Attorney, Agent, or Firm*—Quarles & Brady LLP

(57) **CLAIM**

The ornamental design for a faucet, as shown and described.

**DESCRIPTION**

In a preferred embodiment, the nature of this product is as a plumbing fixture in the form of a faucet for washing various items and/or body parts.

FIG. 1 is a right, top, front perspective view of a faucet embodying our new design;

FIG. 2 is a front elevational view thereof;

FIG. 3 is a top plan view thereof;

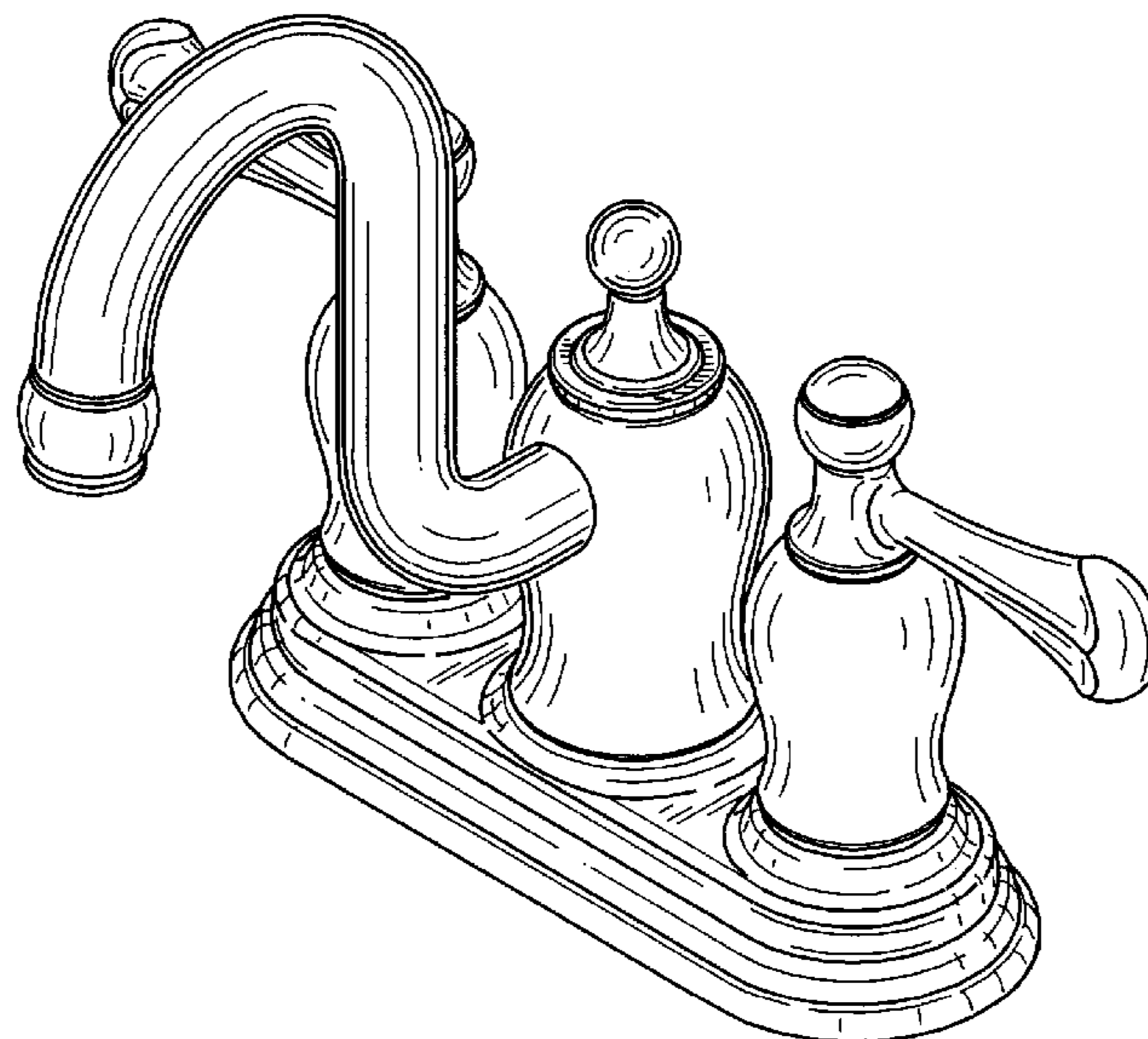
FIG. 4 is a right side elevational view thereof, the left side elevational view thereof being a mirror image of the right side shown;

FIG. 5 is a rear elevational view thereof; and,

FIG. 6 is a bottom plan view thereof.

The broken line representations of understructure in FIG. 6 is for the purpose of illustration only, and form no part of the claimed design.

**1 Claim, 4 Drawing Sheets**



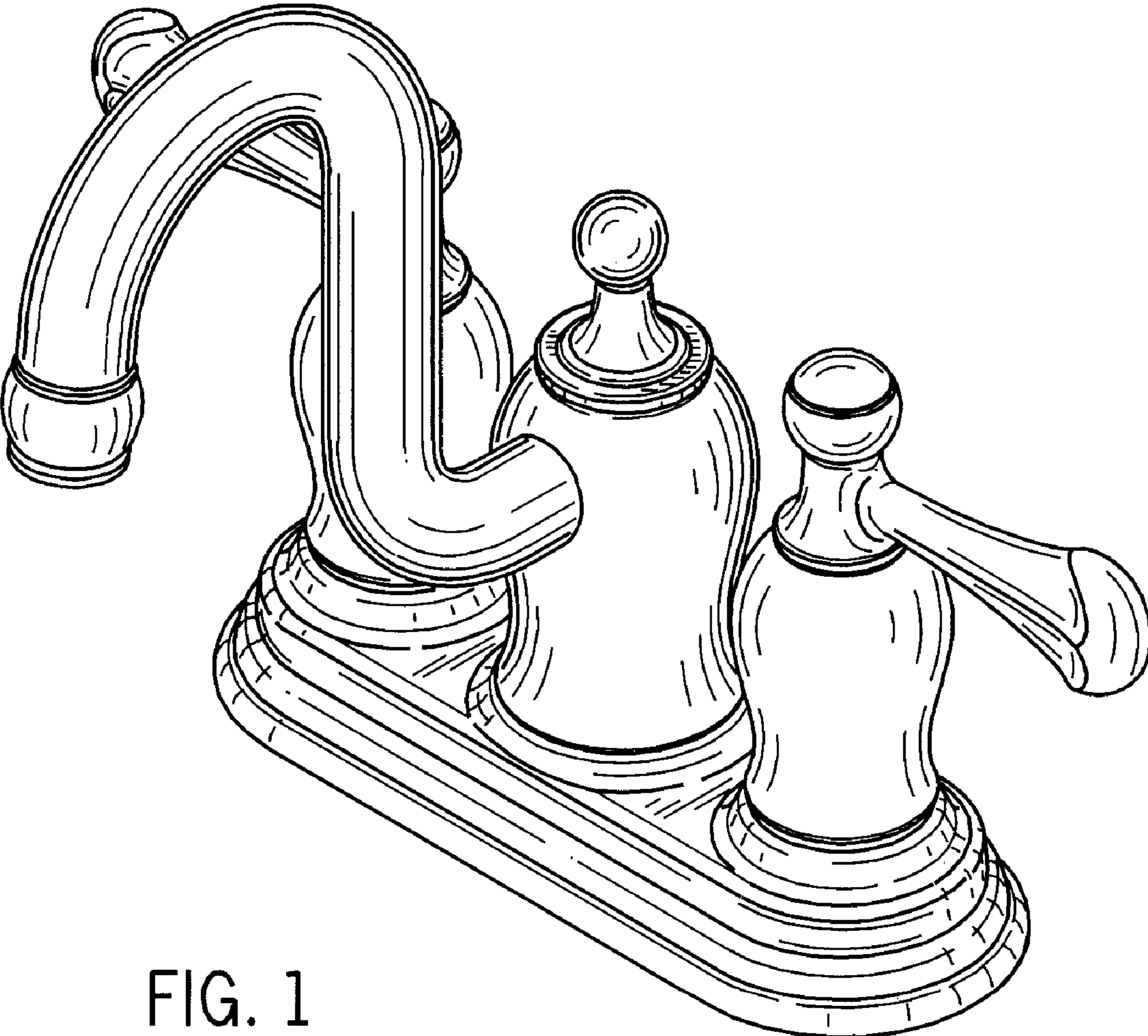


FIG. 1

FIG. 2

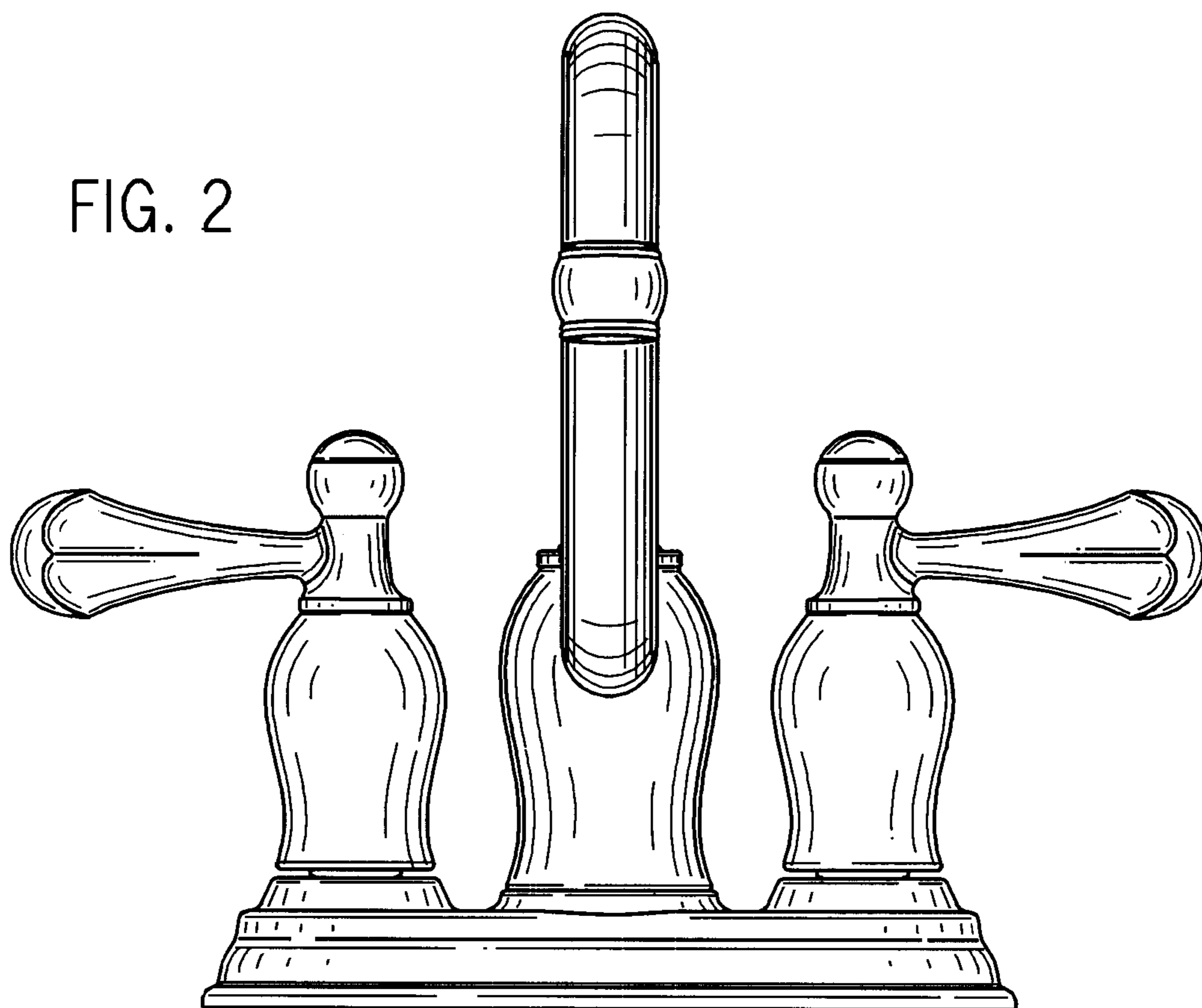
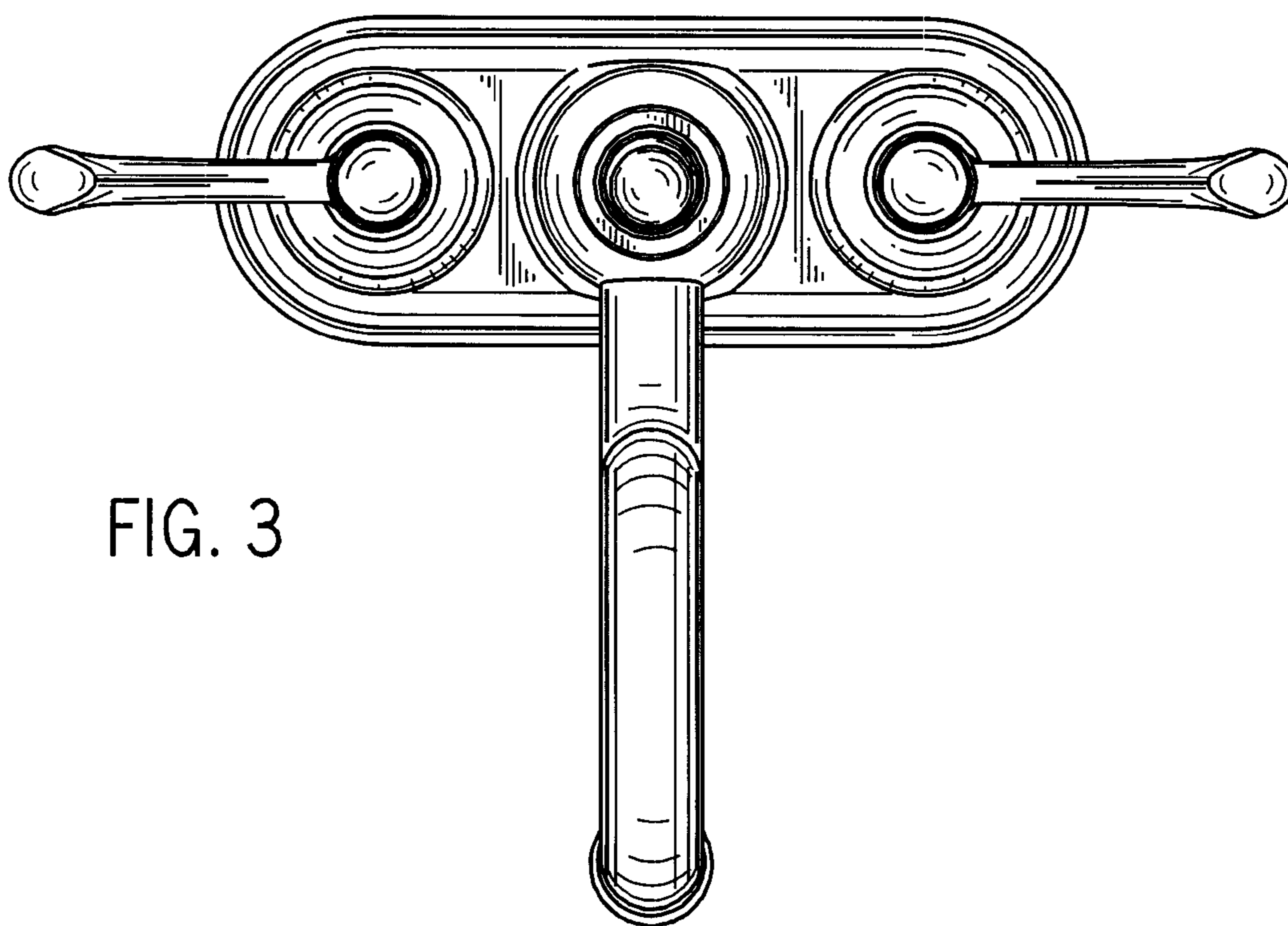
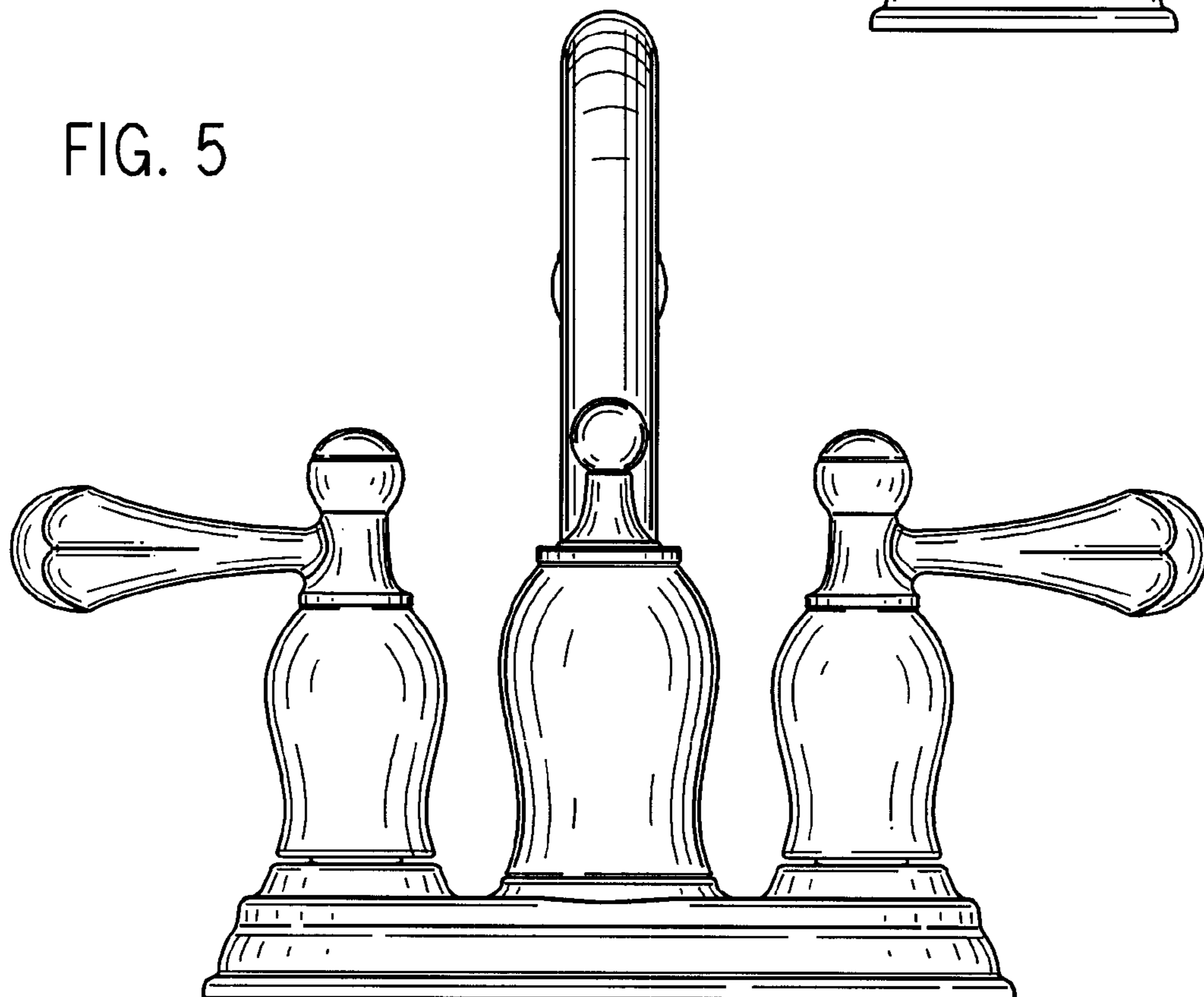
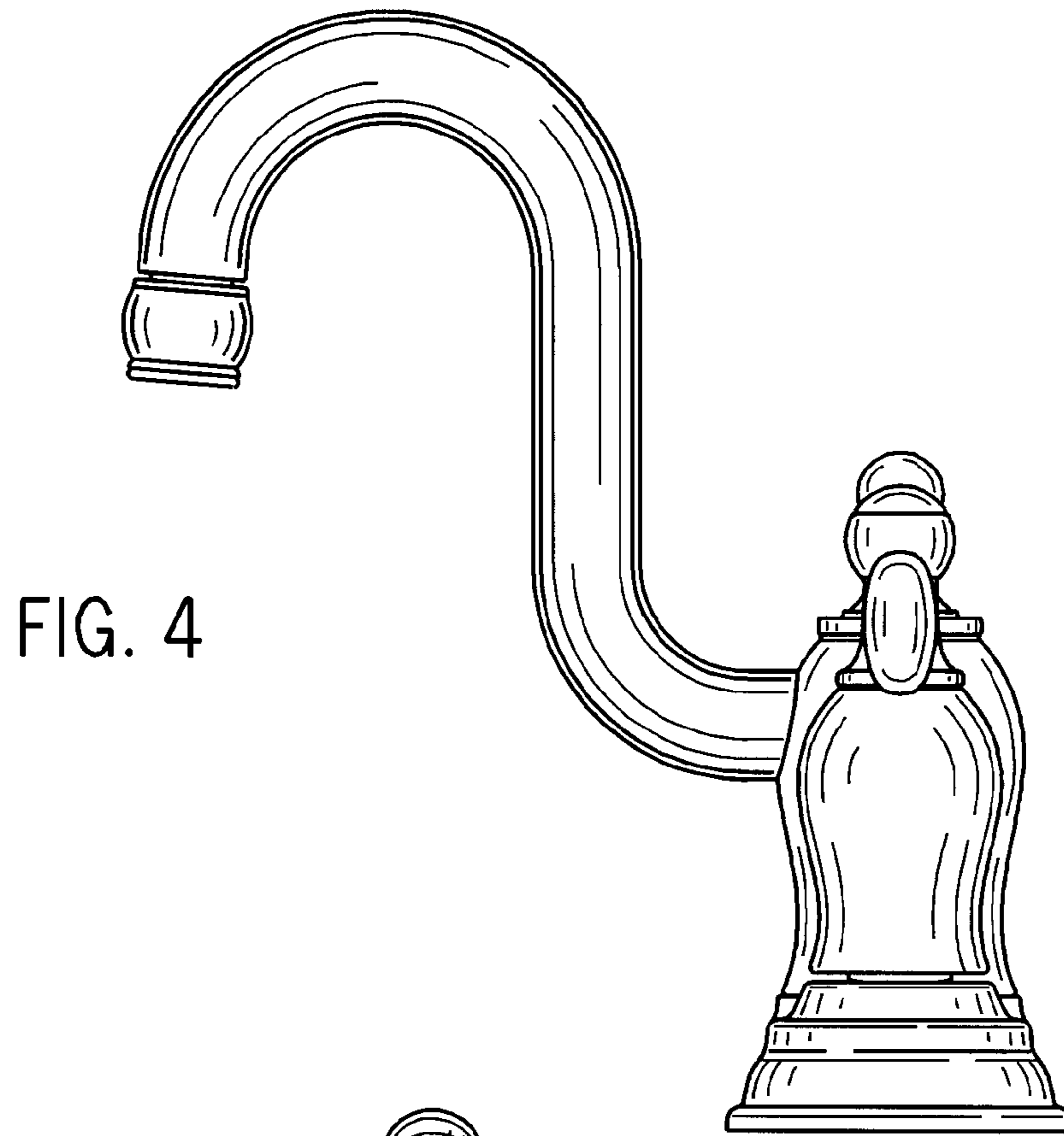


FIG. 3





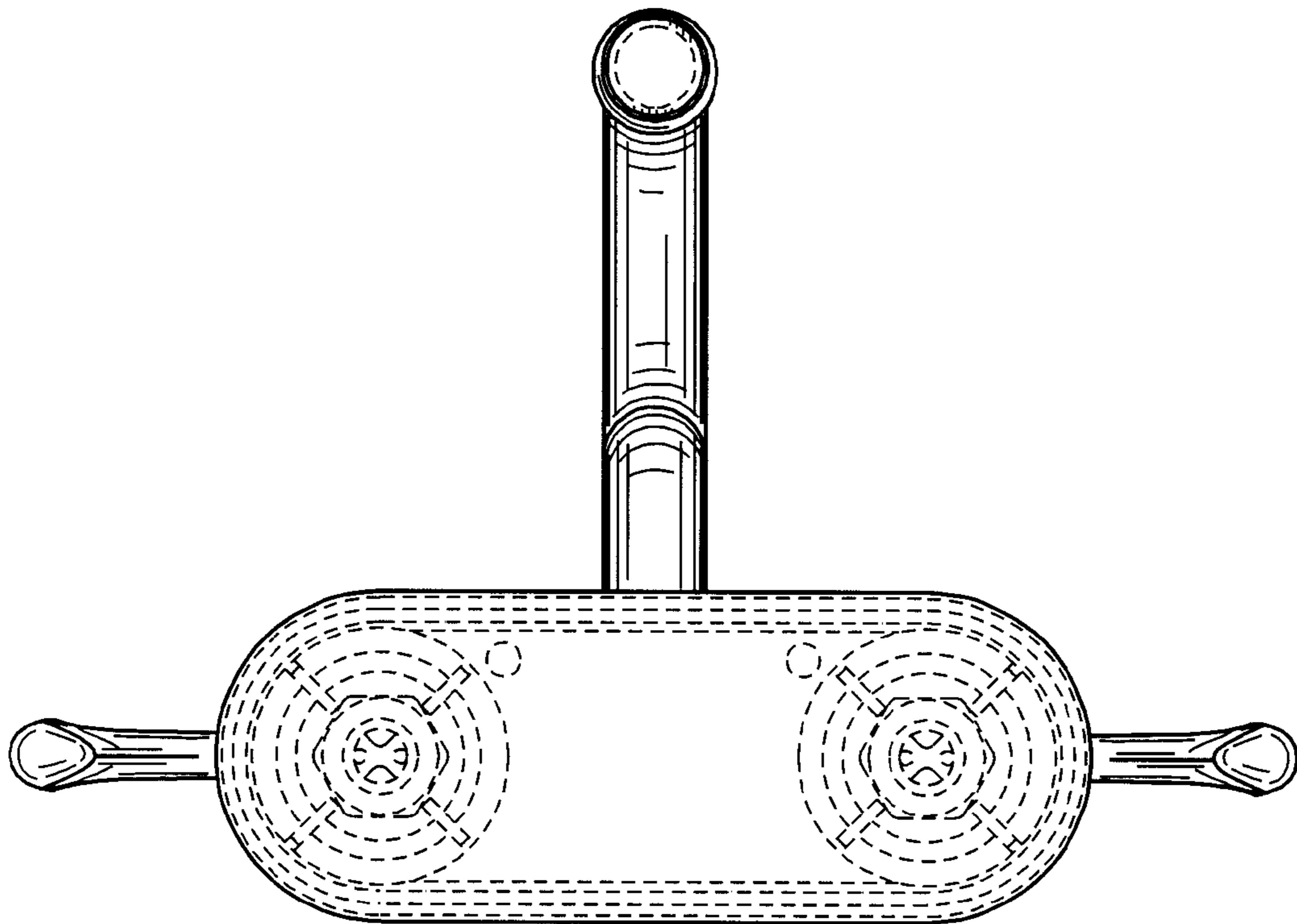


FIG. 6