

US00D572796S

(12) **United States Design Patent**
Genord et al.

(10) **Patent No.:** **US D572,796 S**
(45) **Date of Patent:** **** Jul. 8, 2008**

(54) **SHOWERHEAD**

(75) Inventors: **Daniel S. Genord**, South Lyon, MI
(US); **Dominic J. Daunter**, Howell, MI
(US); **Julian Giggs**, Hillsdale, MI (US)

(73) Assignee: **Alsons Corporation**, Hillsdale, MI (US)

(**) Term: **14 Years**

(21) Appl. No.: **29/288,531**

(22) Filed: **Jun. 14, 2007**

(51) **LOC (8) Cl.** **23-01**

(52) **U.S. Cl.** **D23/229**

(58) **Field of Classification Search** D23/213,
D23/229-230, 223; 239/282-283; 4/615
See application file for complete search history.

(56) **References Cited**

U.S. PATENT DOCUMENTS

D134,735 S *	1/1943	Tompkins	D23/229
D186,757 S *	11/1959	Hruby	D23/230
D191,428 S *	9/1961	Leighton	D23/229
D215,936 S *	11/1969	Contreras	D23/229

5,788,160 A *	8/1998	Woog	239/282
D430,267 S *	8/2000	Milrud et al.	D23/229
D509,281 S *	9/2005	Berghane et al.	D23/229

* cited by examiner

Primary Examiner—Robin V Webster

(74) *Attorney, Agent, or Firm*—Edgar A. Zarins; Lloyd D. Doigan

(57) **CLAIM**

The ornamental design for a showerhead, as shown and described.

DESCRIPTION

FIG. 1 is a perspective view of a showerhead showing our new design;

FIG. 2 is a front elevational view thereof;

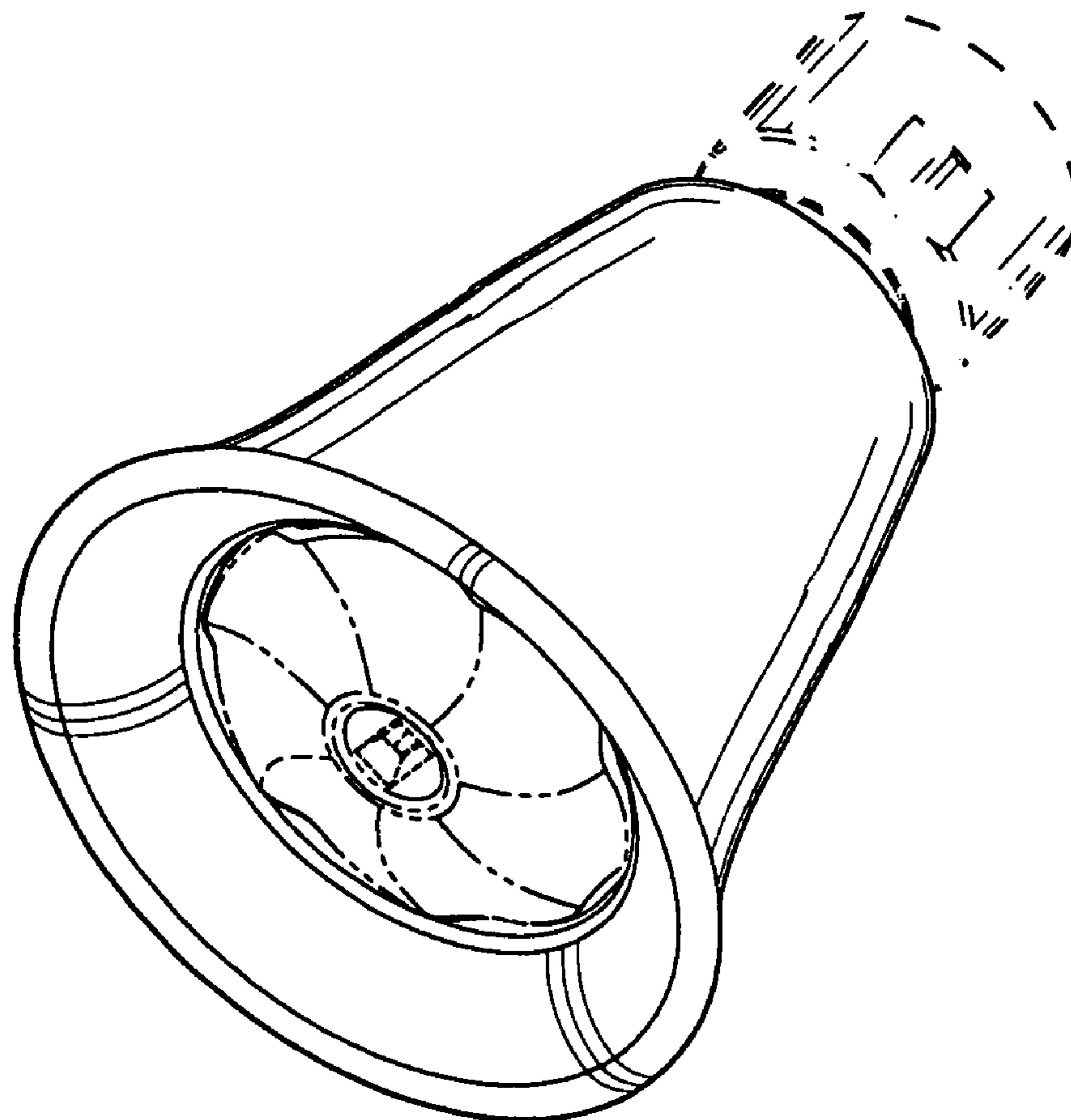
FIG. 3 is a rear view thereof;

FIG. 4 is a first side view thereof; and,

FIG. 5 is a second side view thereof.

The broken line showing is included for the purpose of illustrating and forms no part of the claimed design.

1 Claim, 2 Drawing Sheets



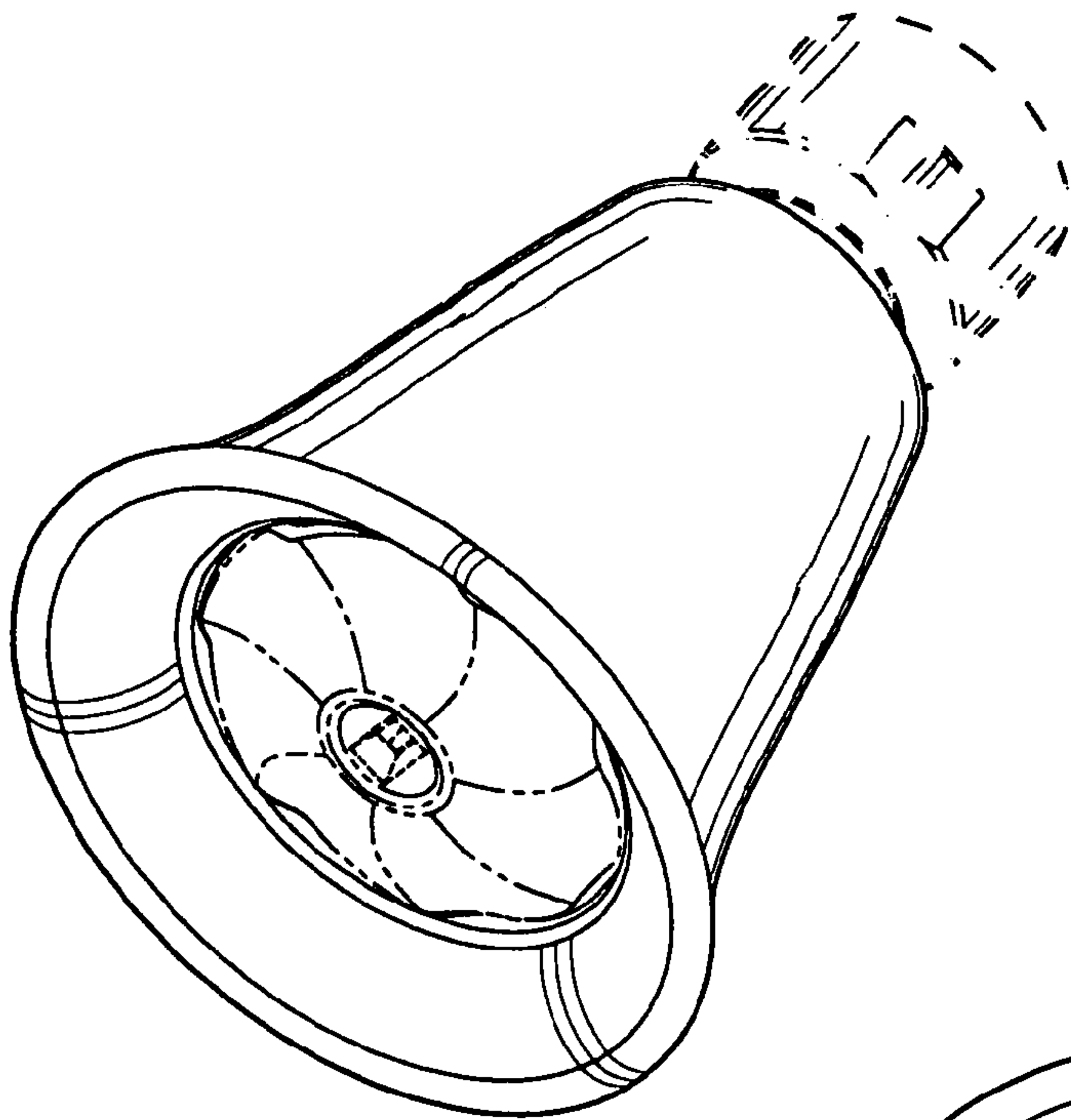


Fig-1

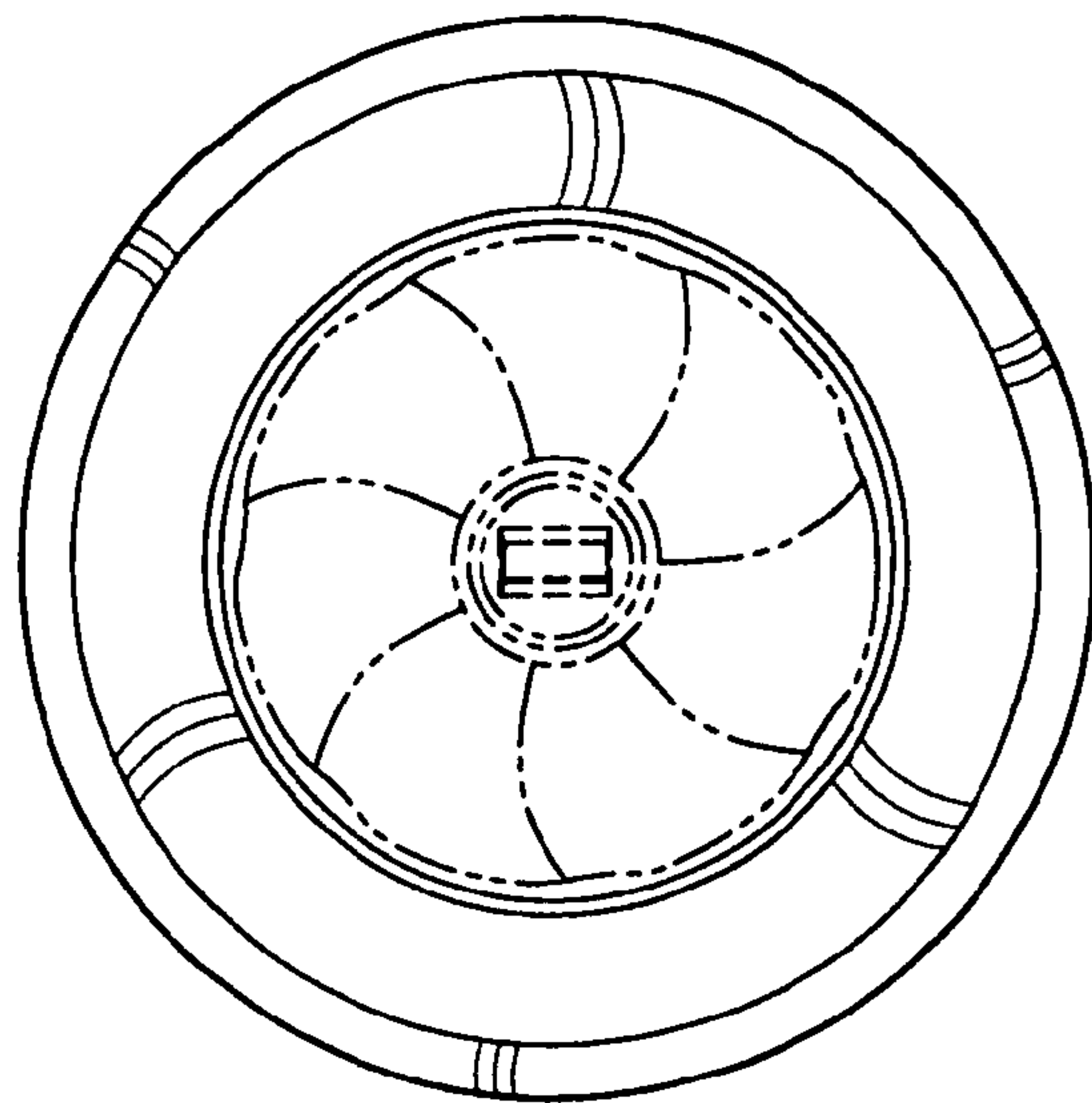


Fig-2

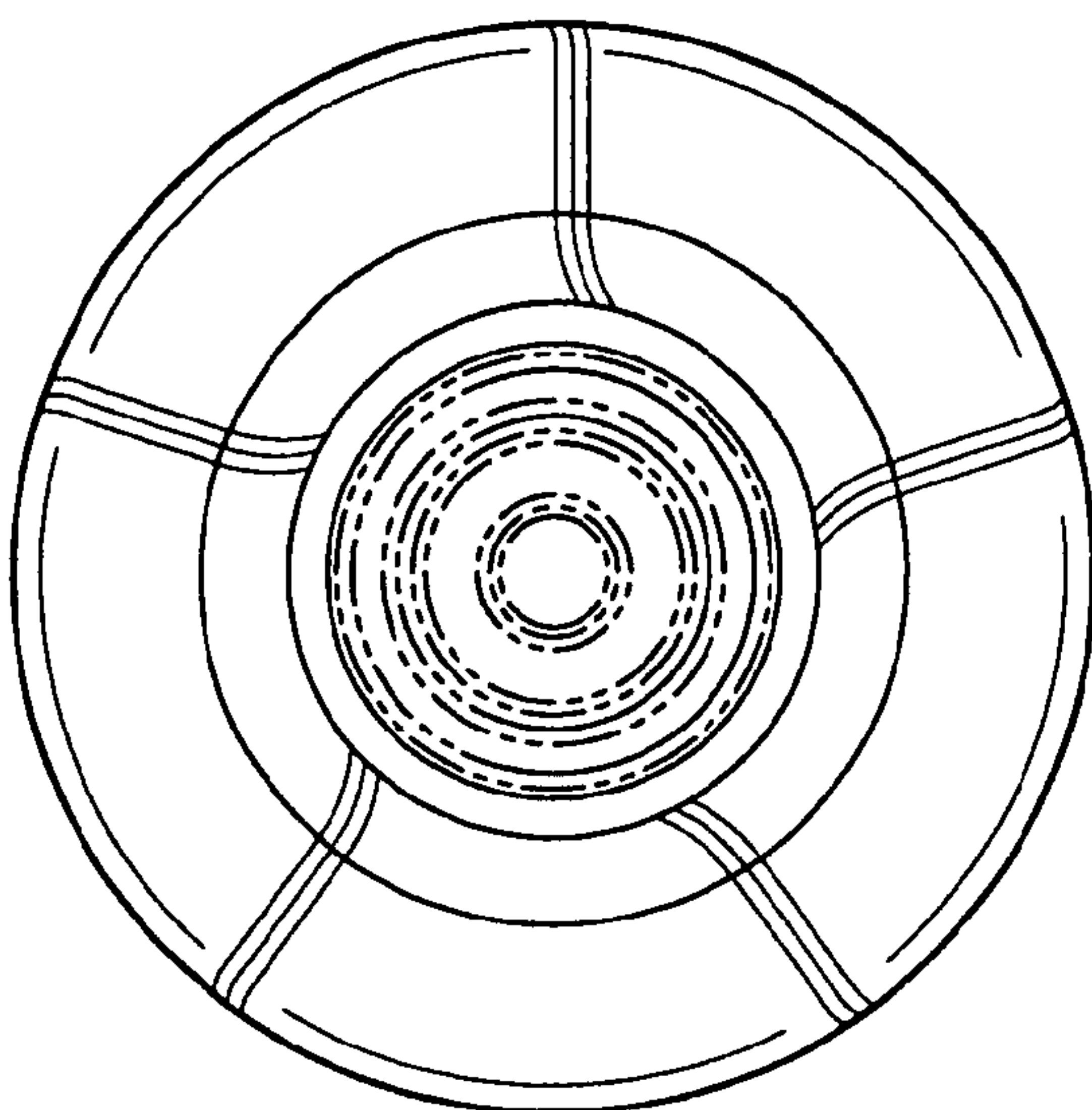


Fig-3

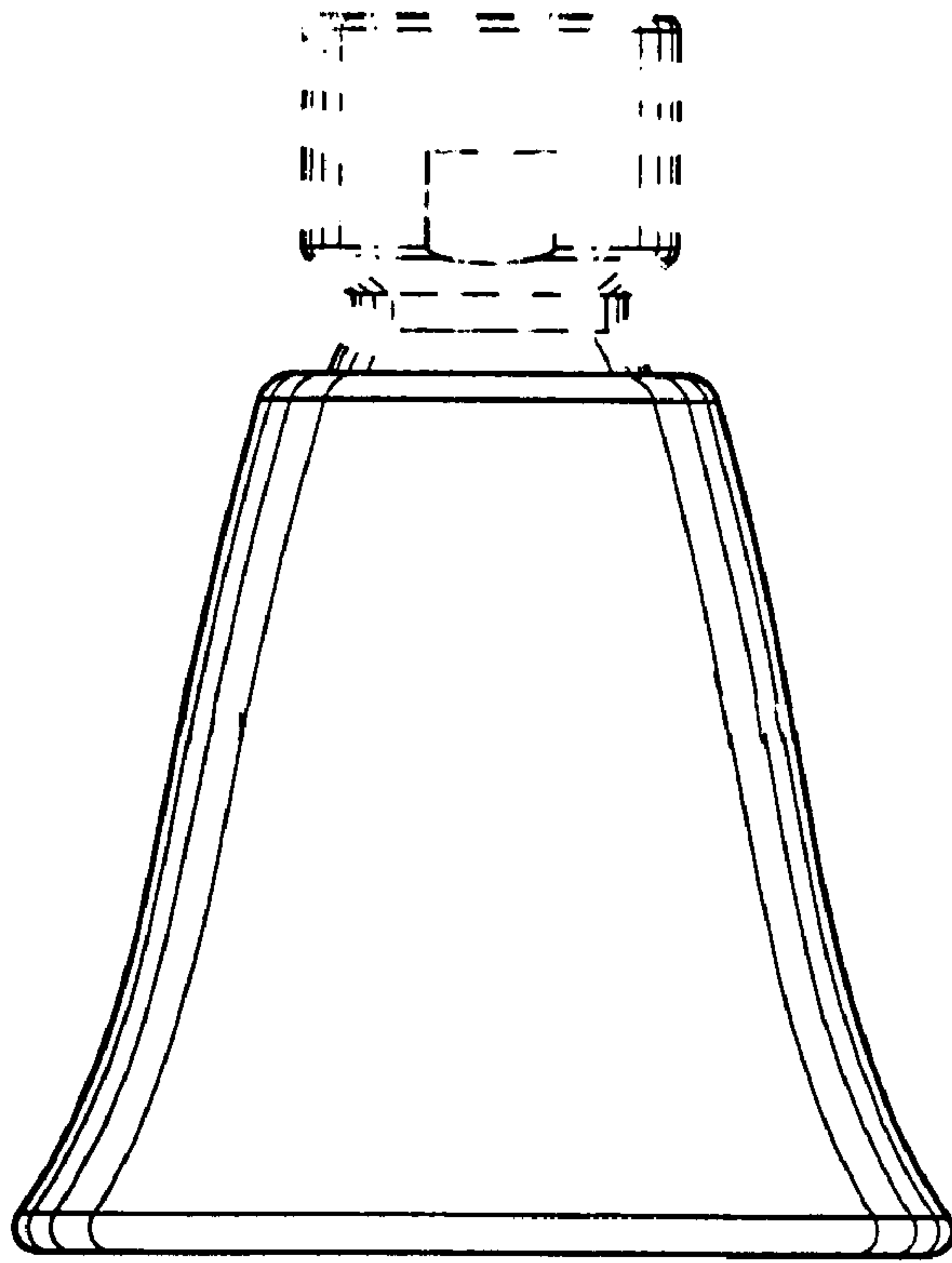


Fig-4

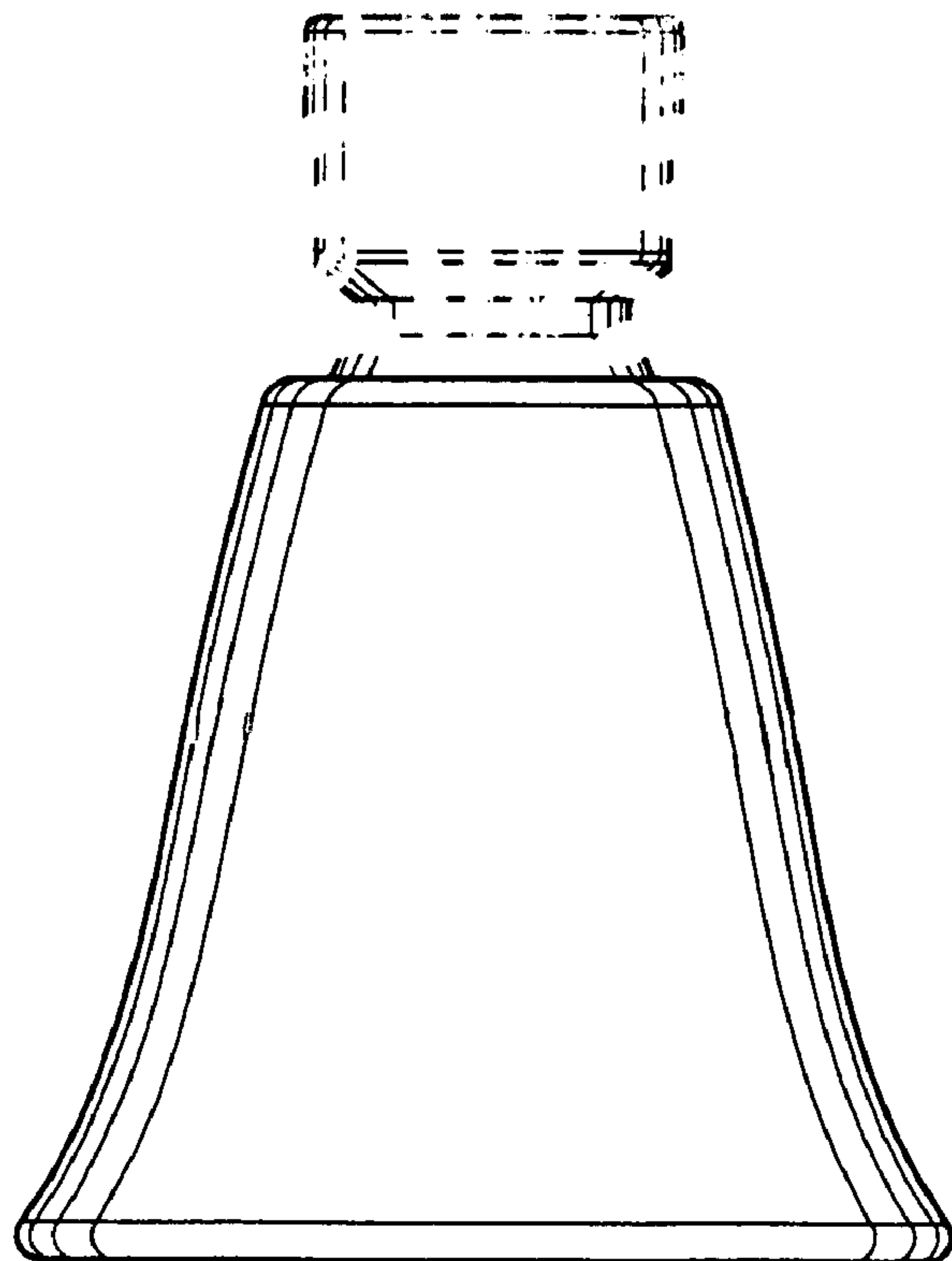


Fig-5