



US00D572795S

(12) **United States Design Patent**
Kieffer

(10) **Patent No.:** **US D572,795 S**
(45) **Date of Patent:** **** Jul. 8, 2008**

(54) **TEXTURE SPRAYER**

(75) Inventor: **Joseph W. Kieffer**, Chanhassen, MN (US)

(73) Assignee: **Titan Tool, Inc.**, Oakland, NJ (US)

(**) Term: **14 Years**

(21) Appl. No.: **29/247,338**

(22) Filed: **Jun. 12, 2006**

(51) **LOC (8) Cl.** **23-01**

(52) **U.S. Cl.** **D23/225**

(58) **Field of Classification Search** D23/213,
D23/225; 239/146-148

See application file for complete search history.

(56) **References Cited**

U.S. PATENT DOCUMENTS

| | | | | |
|--------------|------|---------|------------------|---------|
| 3,797,743 | A | 3/1974 | Kommers et al. | |
| 3,837,539 | A | 9/1974 | Schlegel | |
| 5,228,622 | A | 7/1993 | Murphy et al. | |
| 5,299,741 | A | 4/1994 | Murphy | |
| 5,538,402 | A | 7/1996 | McKenney | |
| 6,070,808 | A | 6/2000 | Kildow | |
| 6,394,365 | B1 * | 5/2002 | Jeanfreau | 239/373 |
| D501,241 | S * | 1/2005 | Gundersen et al. | D23/225 |
| D502,532 | S * | 3/2005 | Schroeder et al. | D23/225 |
| D526,045 | S * | 8/2006 | Gundersen et al. | D23/225 |
| 7,150,413 | B1 * | 12/2006 | Bricko et al. | 239/150 |
| 2002/0092597 | A1 | 7/2002 | Dillinger et al. | |
| 2002/0093876 | A1 | 7/2002 | Dillinger et al. | |
| 2005/0133625 | A1 | 6/2005 | McLeod | |
| 2005/0254879 | A1 | 11/2005 | Gunderson et al. | |

OTHER PUBLICATIONS

Product Information, "Heavy Duty Applications," Graco Inc., 10 pp., 2004.
Product Information, "Instructions-Parts List—GM 1030™ TexSpray," Graco Inc., 36 pp., 1993.
Product Information, "RTX 1500 Electric Texture Sprayer—Repair and Parts," Graco Inc., 36 pp., 2004.

Product Information, "Instructions-Parts List—TexSpray™ EXT HP and Twin Tank," Graco Inc., 29 pp., 1997.

Product Information, "TexSpray 750," Graco Inc., 12 pp.

Product Information, "Instructions-Parts List—TexSpray™ System, 40 pp." and "Parts Change Notice—Troubleshooting," 5 pp., Graco Inc., 1991 and 1996.

Product Information, "Instructions-Parts List—TexSpray Compact," Graco Inc., 6 pp., 1995.

Product Information, "Repair-Parts List—TexSpray GTX™ 2000," Graco Inc., 28 pp., 2003.

Product Information, "Operation—TexSpray GTX™ 2000," Graco Inc., 22 pp., 2003.

Product Information—"Repair-TexFinish™," Graco Inc. 6 pp., 2003.

Printout from web site, "Texture Sprayers and Accessories," All-Wall, Your Drywall Tools Superstore, <http://www.all-wall.com/acatalog>, 4 pp.

Printout from web site, "Texture Sprayers and Accessories, AST Kodiak M2," All-Wall.com, <http://www.all-wall.com/acatalog>, 2 pp.

Printout from web site, EIFS sprayer product information and images, <http://www.benron.com>, 7 pp.

Product Information, "Texture Sprayers," Graco Inc., 20 pp., 2005.

* cited by examiner

Primary Examiner—Robin V Webster

(74) *Attorney, Agent, or Firm*—Faegre & Benson LLP

(57) **CLAIM**

The ornamental design for a texture sprayer, as shown.

DESCRIPTION

FIG. 1 is a left side elevation view of the texture sprayer of the present invention.

FIG. 2 is a right side elevation view of the texture sprayer of FIG. 1.

FIG. 3 is a front elevation view of the texture sprayer of FIG. 1.

FIG. 4 is a rear elevation view of the texture sprayer of FIG. 1.

FIG. 5 is a top plan view of the texture sprayer of FIG. 1; and, FIG. 6 is a bottom plan view of the texture sprayer of FIG. 1.

1 Claim, 6 Drawing Sheets

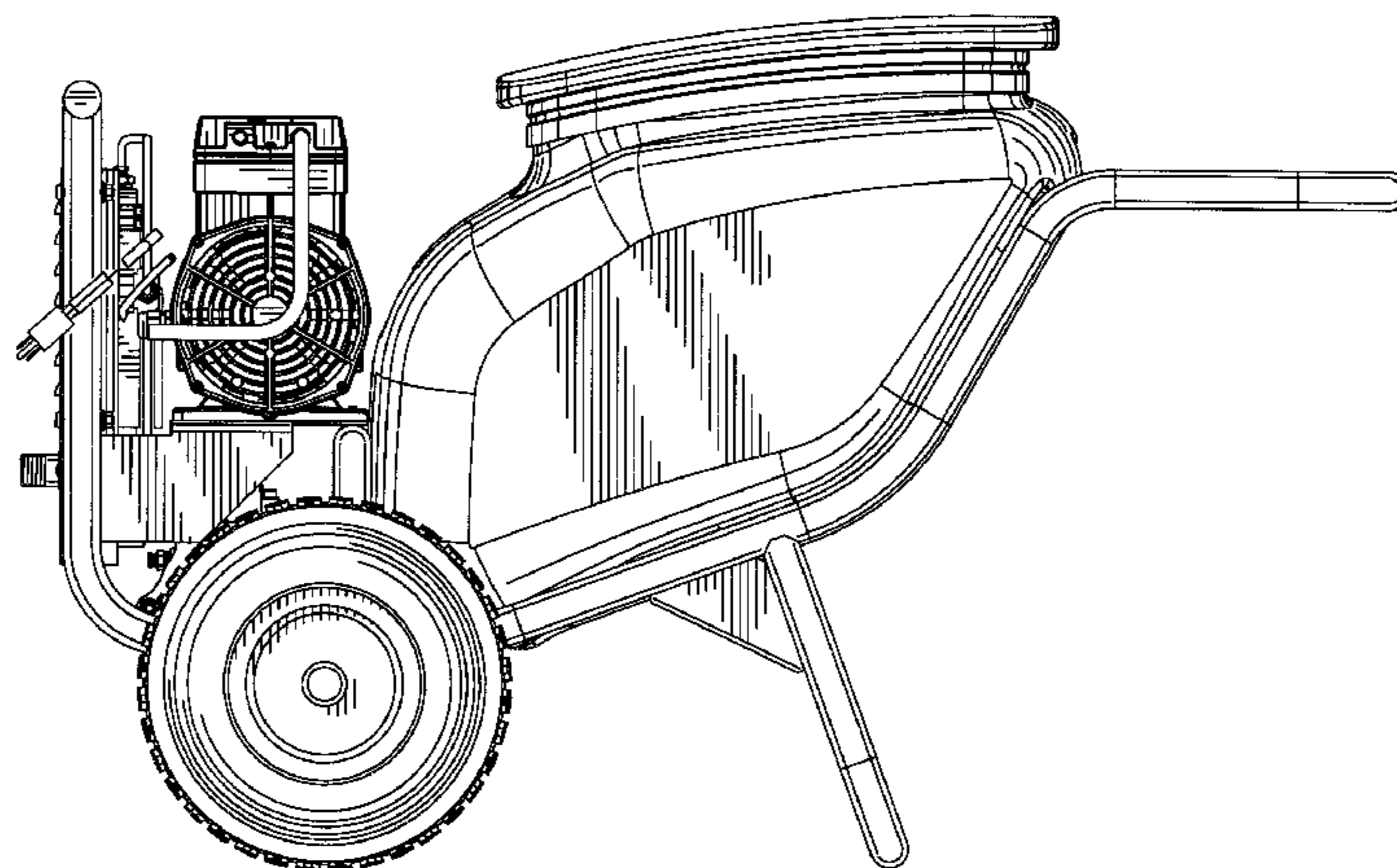


FIG. 1

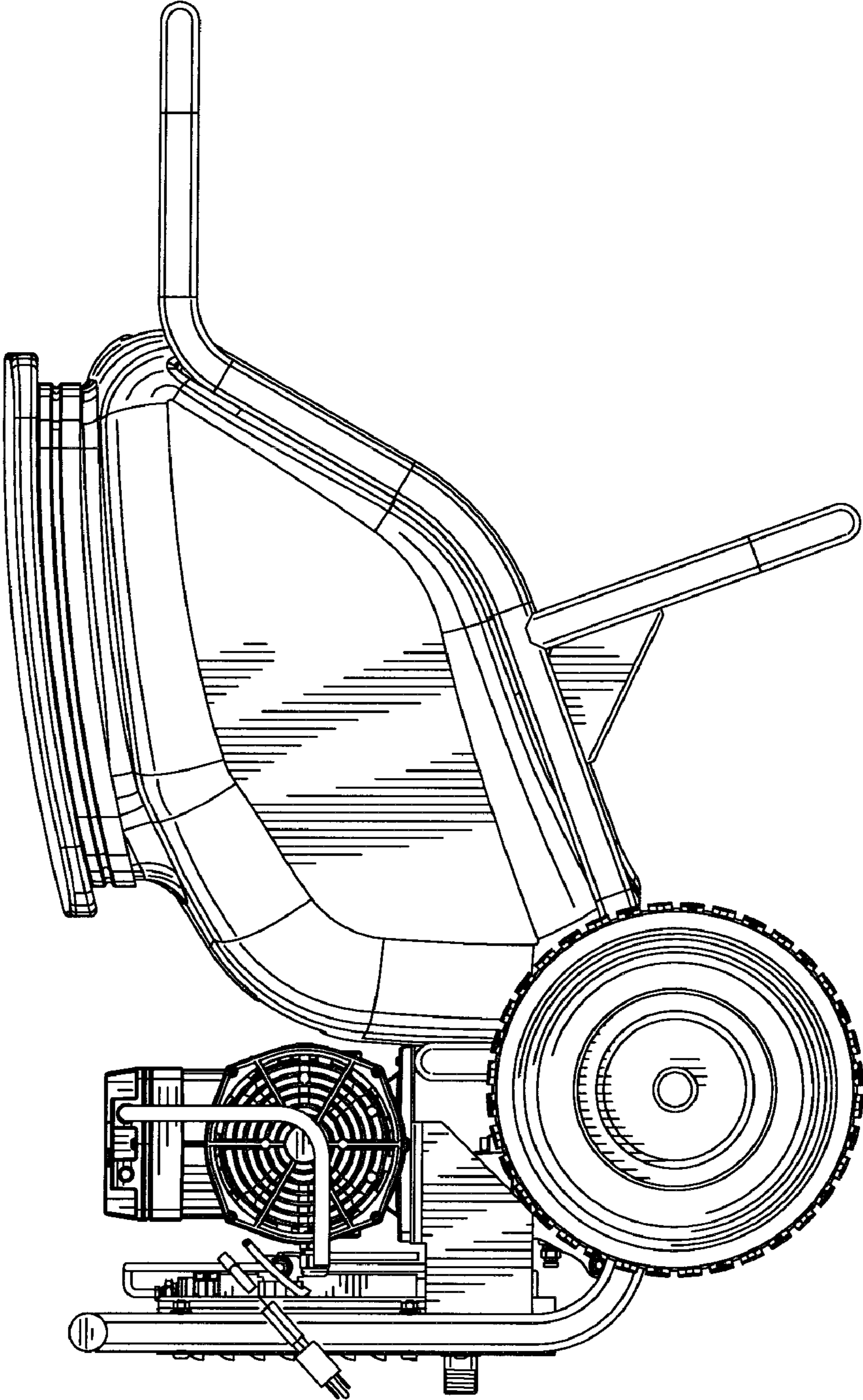


FIG. 2

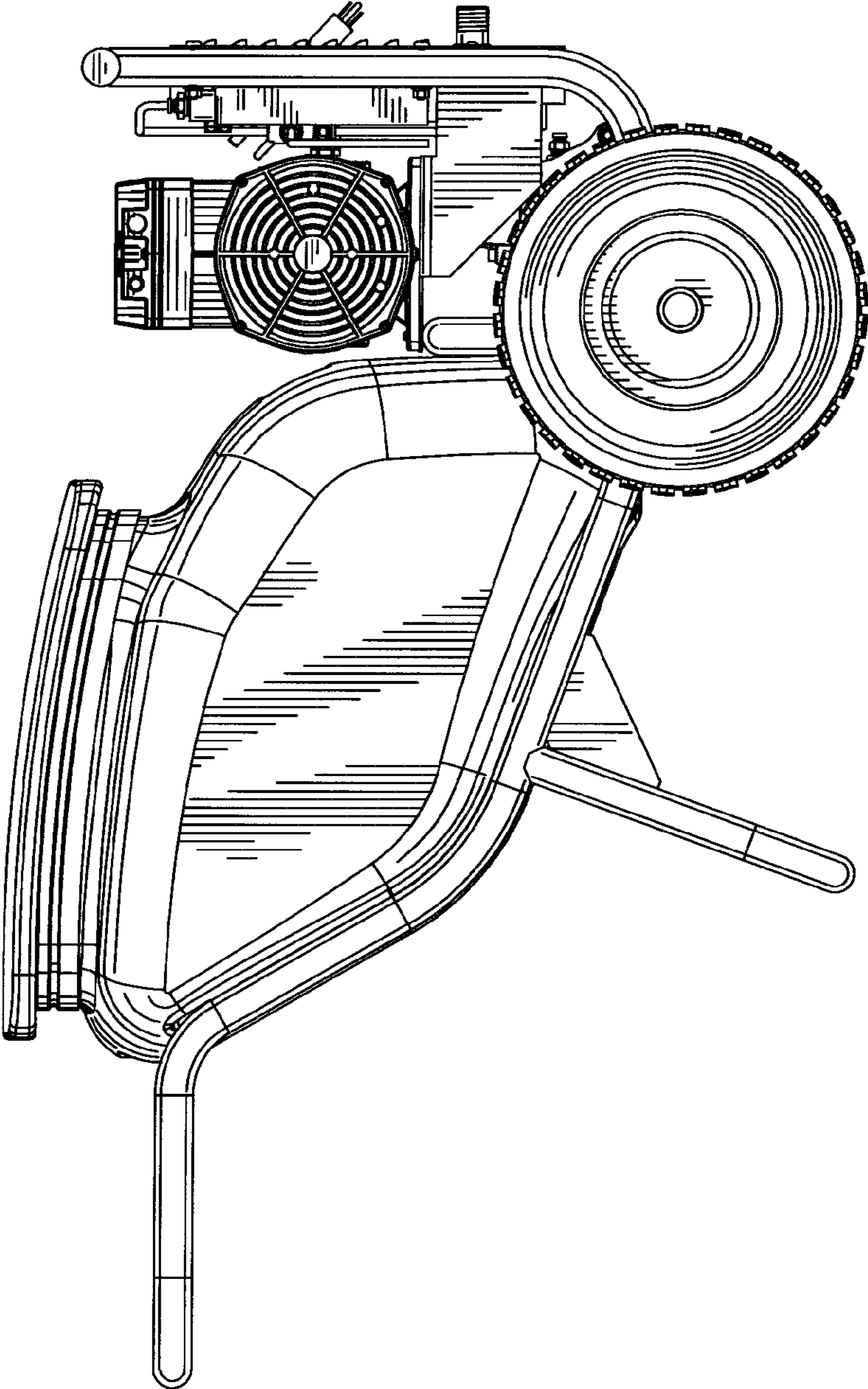


FIG. 3

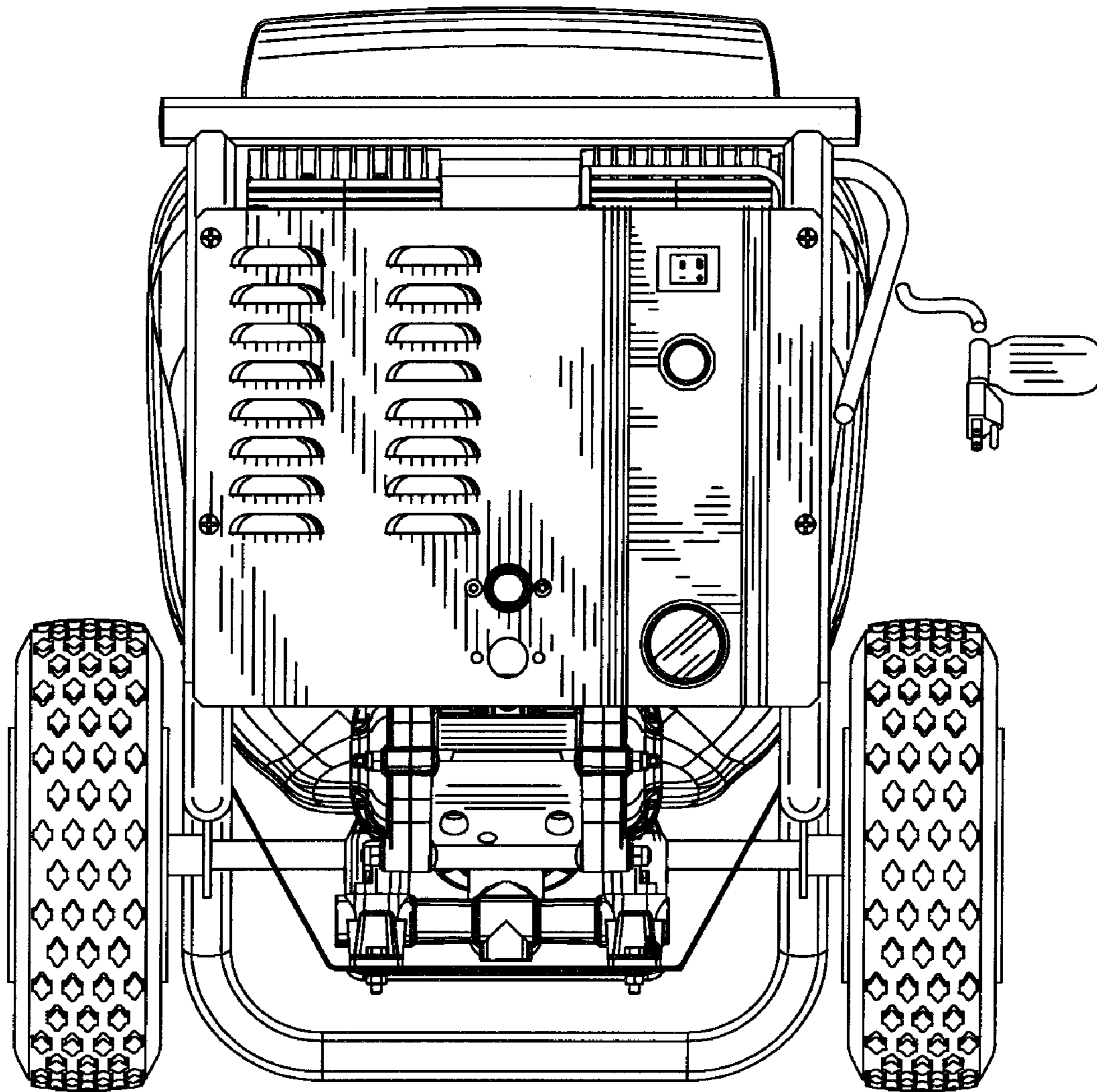


FIG. 4

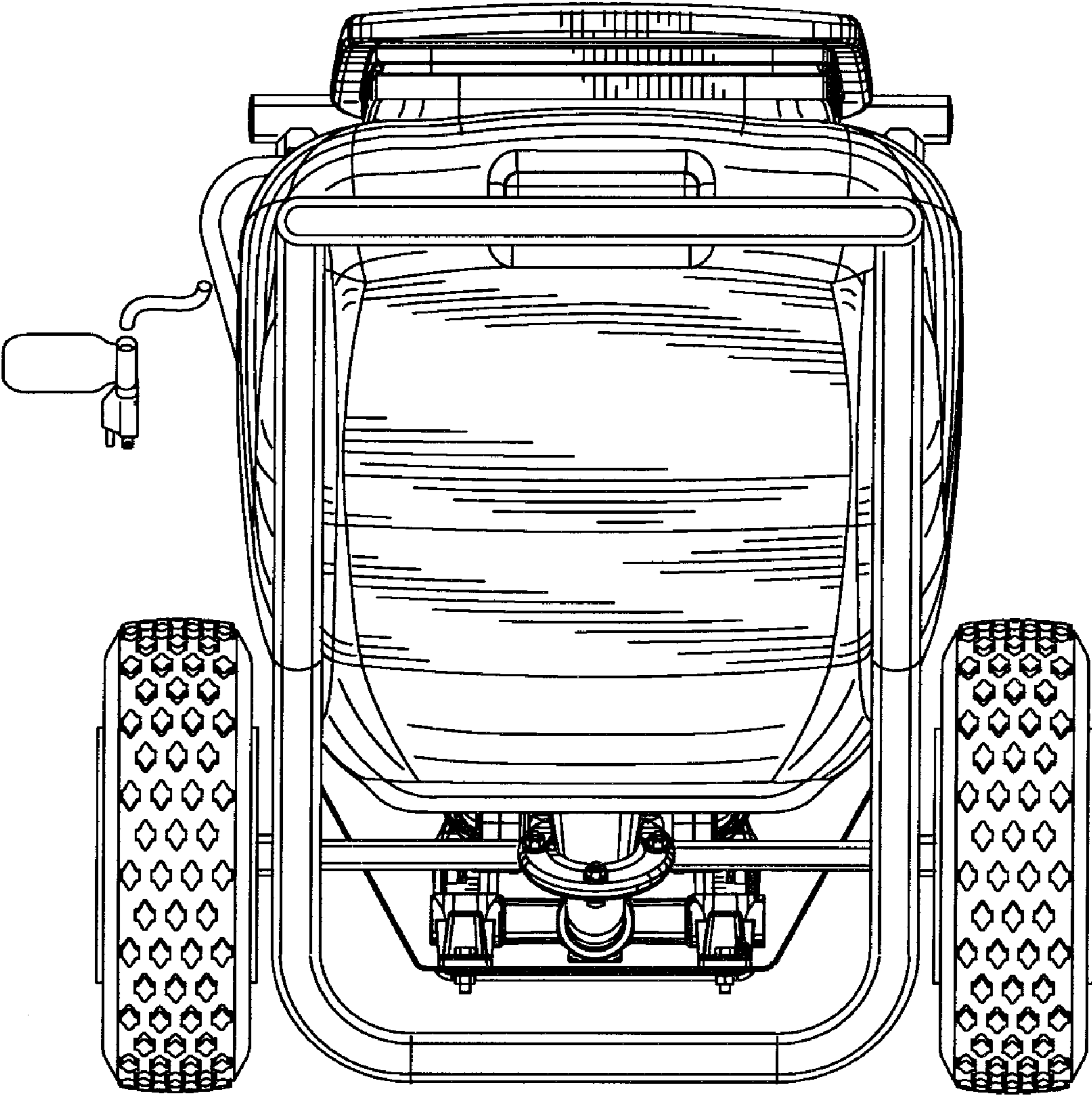


FIG. 5

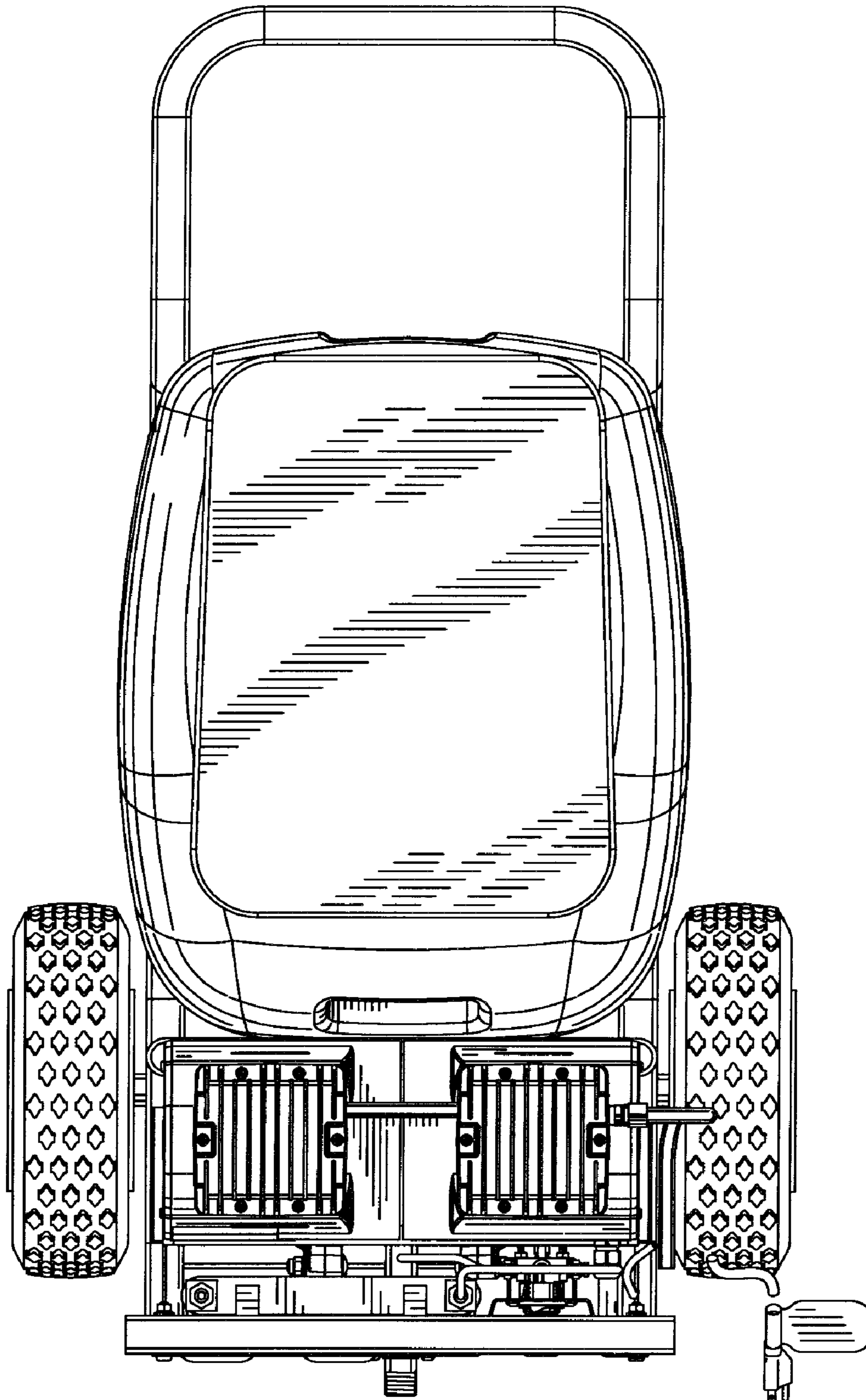


FIG. 6

