



US00D572794S

(12) **United States Design Patent**
Chen

(10) **Patent No.:** **US D572,794 S**

(45) **Date of Patent:** **** Jul. 8, 2008**

(54) **SOLAR POWERED BUG ELIMINATOR**

(75) Inventor: **Chi Gon Chen**, Guang Zhou (CN)

(73) Assignee: **International Development Corp.**,
Roanoke, TX (US)

(*) Notice: This patent is subject to a terminal disclaimer.

(**) Term: **14 Years**

(21) Appl. No.: **29/273,089**

(22) Filed: **Feb. 27, 2007**

(51) **LOC (8) Cl.** **22-06**

(52) **U.S. Cl.** **D22/122**

(58) **Field of Classification Search** D22/119–125;
43/112–113, 124, 131; D26/37–41
See application file for complete search history.

(56) **References Cited**

U.S. PATENT DOCUMENTS

D445,939 S * 7/2001 Pan D26/72

D554,784 S * 11/2007 Krieger et al. D26/67

* cited by examiner

Primary Examiner—Catherine R Oliver

(74) *Attorney, Agent, or Firm*—Carstens & Cahoon, LLP

(57) **CLAIM**

I claim the design for a solar powered bug eliminator, as shown and described.

DESCRIPTION

FIG. 1 is a perspective view;

FIG. 2 is a front elevational view; the rear elevational view being the same;

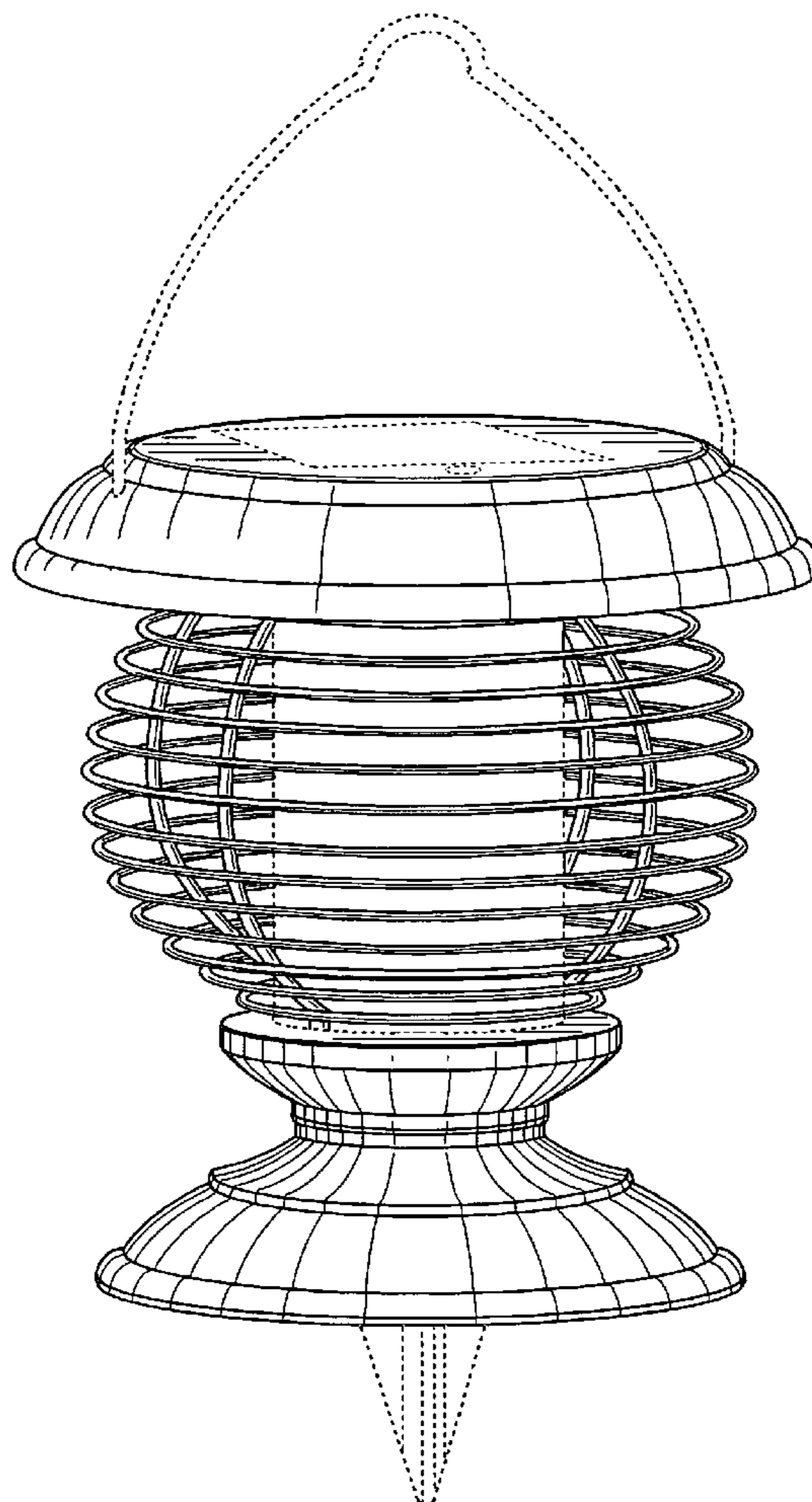
FIG. 3 is a top plan view;

FIG. 4 is a left side elevational view; the right side elevational view being the same; and,

FIG. 5 is a bottom plan view.

The broken line showing of environment in the drawings is included for the purpose of illustration only and forms no part of the claimed design.

1 Claim, 2 Drawing Sheets



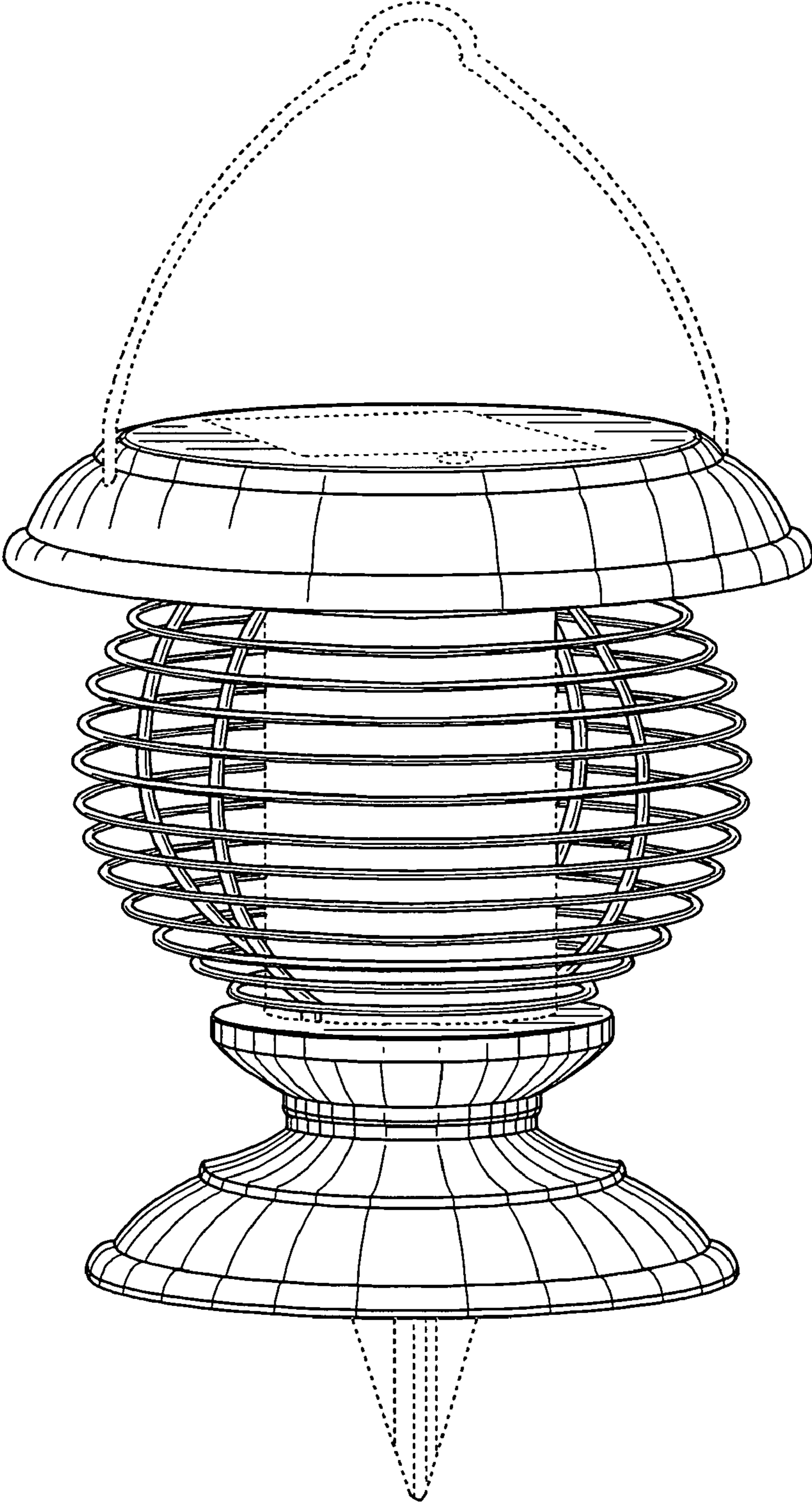


Fig. 1

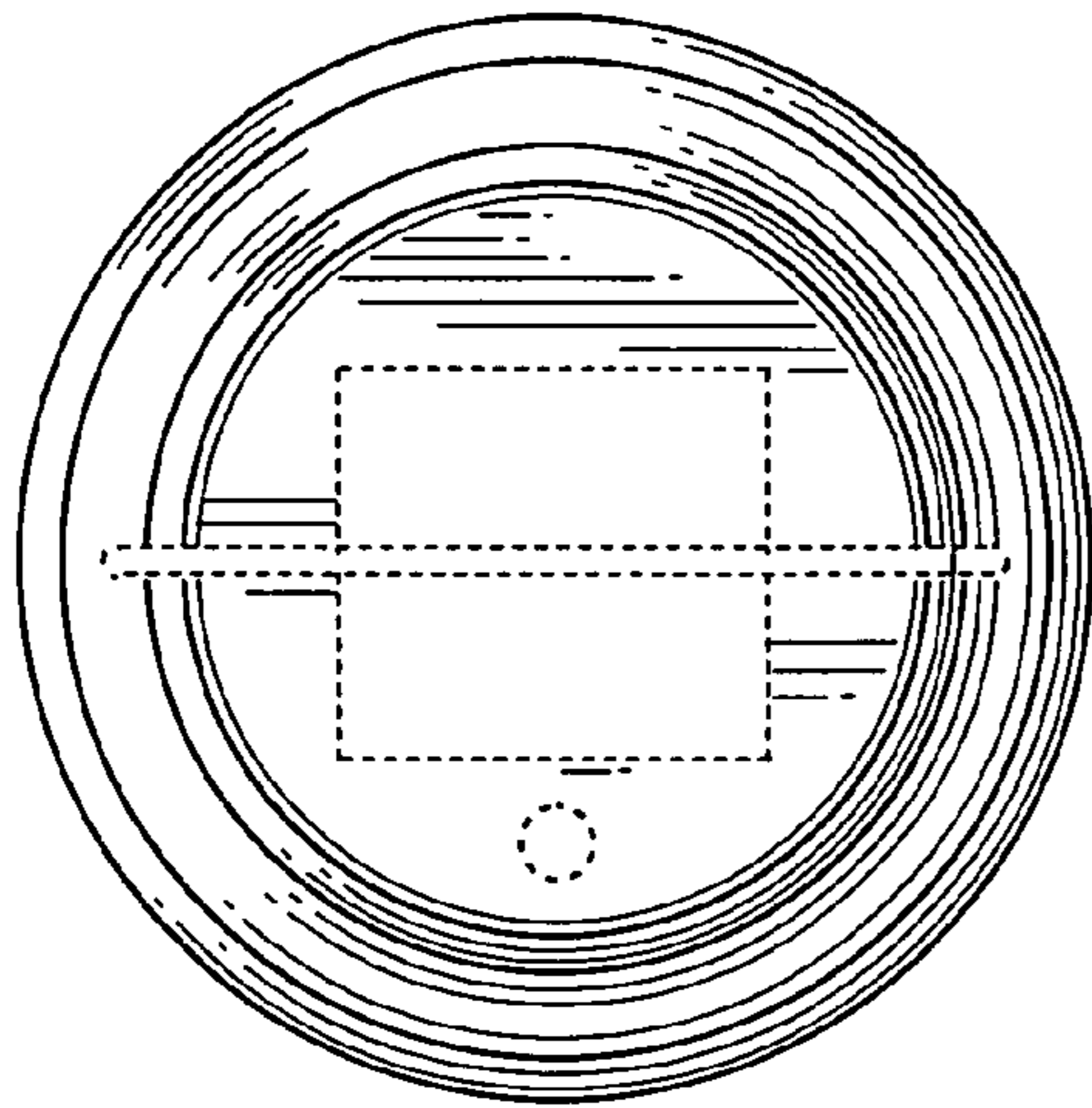


Fig. 3

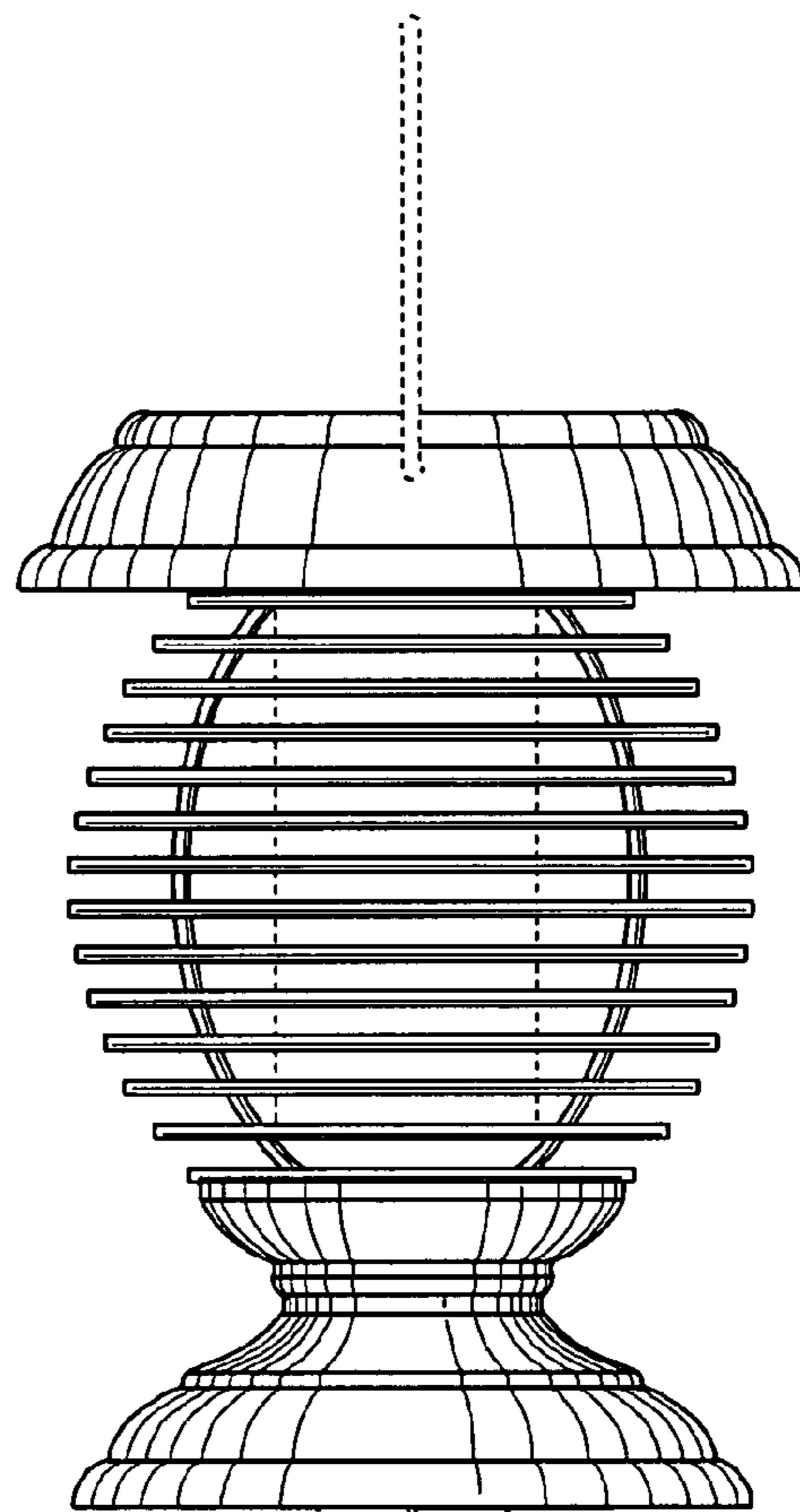


Fig. 4

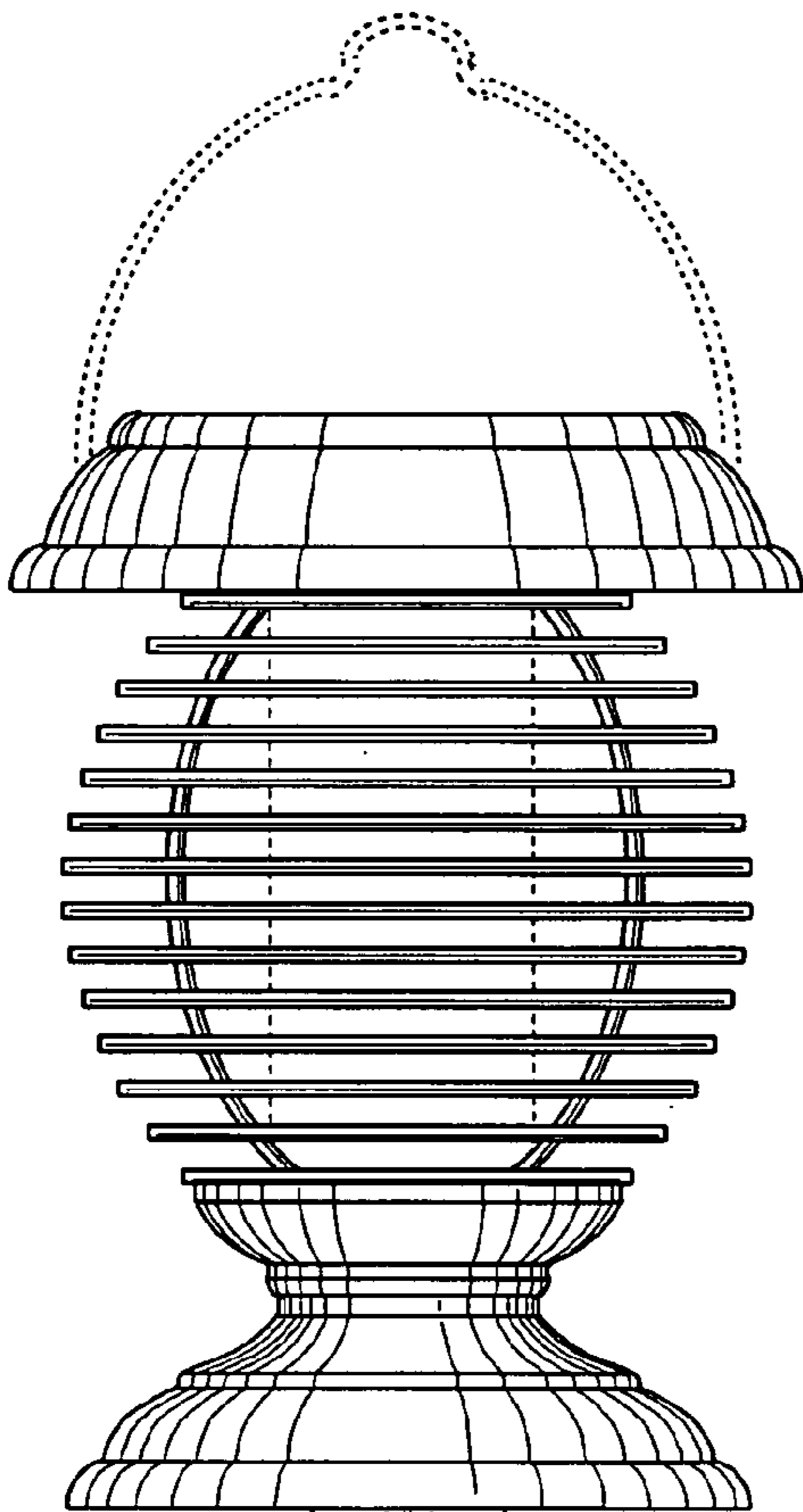


Fig. 2

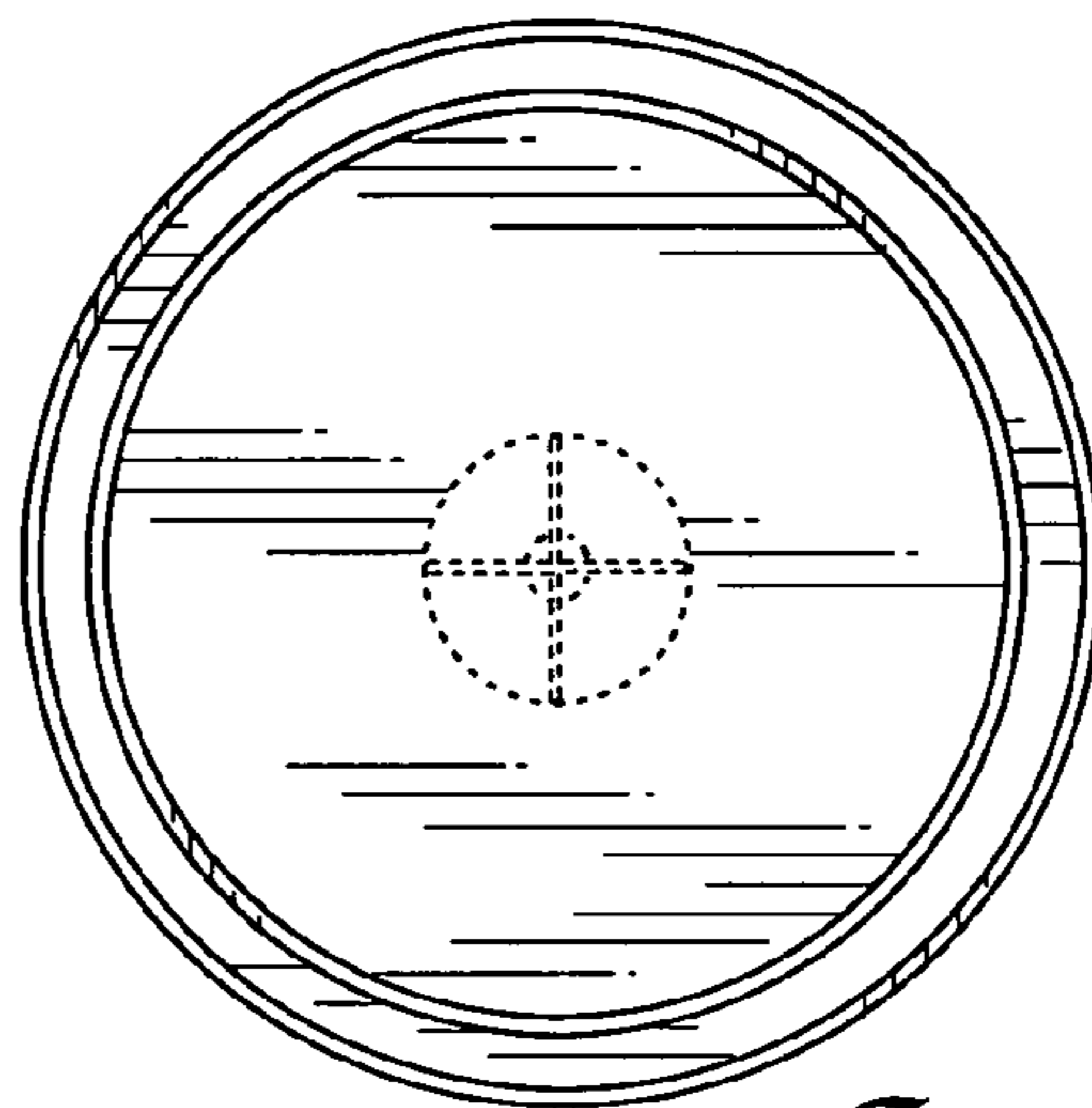


Fig. 5