



US00D572792S

(12) **United States Design Patent**
Thornberg

(10) **Patent No.:** **US D572,792 S**
(45) **Date of Patent:** **** Jul. 8, 2008**

(54) **POOL TABLE**

D235,669 S * 7/1975 Mileux D21/314
5,791,758 A * 8/1998 Horgan et al. 362/554
D489,784 S * 5/2004 Foley D21/784

(76) Inventor: **Eric James Thornberg**, 11600
Rochester Ave., #10, Los Angeles, CA
(US) 90025

OTHER PUBLICATIONS

Olhousen Billiard Mnuufacturing Inc., 1999 catalog, p. 3.*

(**) Term: **14 Years**

* cited by examiner

(21) Appl. No.: **29/226,846**

Primary Examiner—Prabhakar Deshmukh
(74) *Attorney, Agent, or Firm*—Qin Zhang

(22) Filed: **Apr. 4, 2005**

(51) **LOC (8) Cl.** **06-03**

(57) **CLAIM**

(52) **U.S. Cl.** **D21/783**

The ornamental design for a pool table, as shown and described.

(58) **Field of Classification Search** D21/782–784;
473/1, 4–10, 29, 34; D30/101; 119/245–247,
119/253; D6/422, 423, 428, 480, 482, 495,
D6/496

DESCRIPTION

See application file for complete search history.

FIG. 1 is a perspective view of a pool table showing my new design;

FIG. 2 is an enlarged front elevational view thereof;

FIG. 3 is a left side elevational view thereof;

FIG. 4 is an enlarged rear elevational view thereof;

FIG. 5 is a right side elevational view thereof;

FIG. 6 is a top plan view thereof; and,

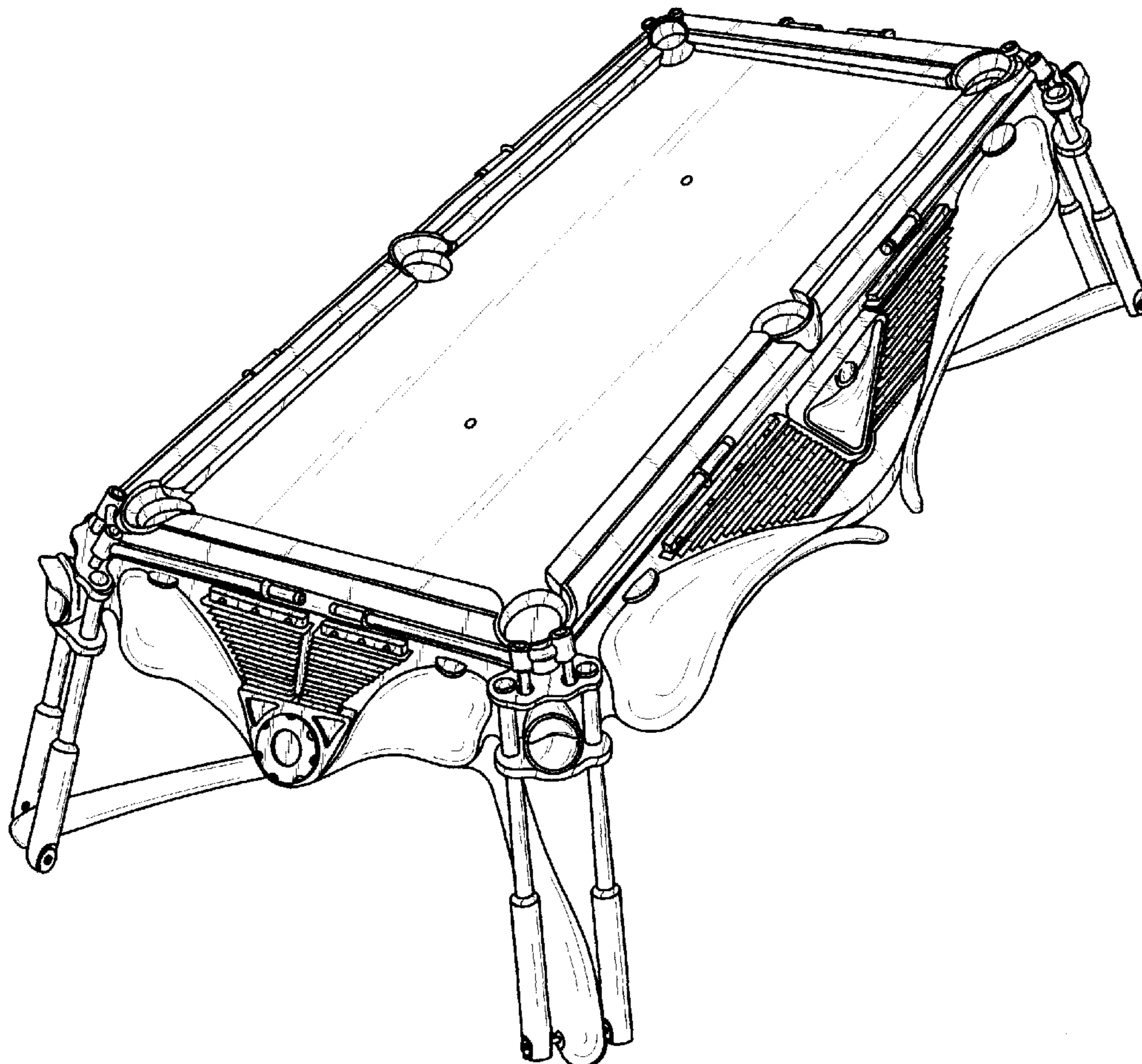
FIG. 7 is bottom plan view thereof.

(56) **References Cited**

U.S. PATENT DOCUMENTS

D13,440 S * 11/1882 Herman D21/784
685,596 A * 10/1901 Genter et al. 473/17
D170,557 S * 10/1953 Held D19/75
D213,299 S * 2/1969 Porter D21/784

1 Claim, 7 Drawing Sheets



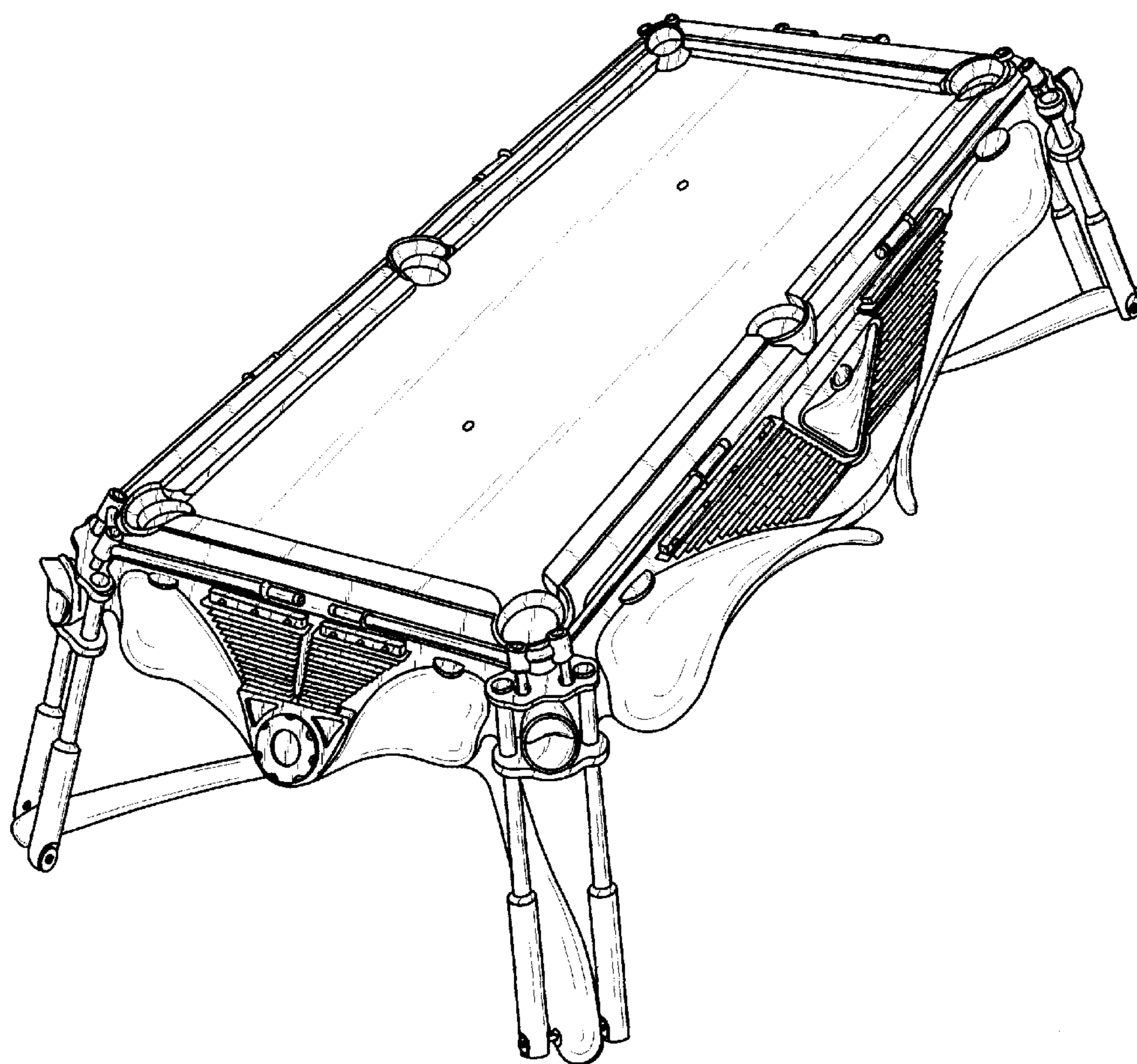


FIG. 1

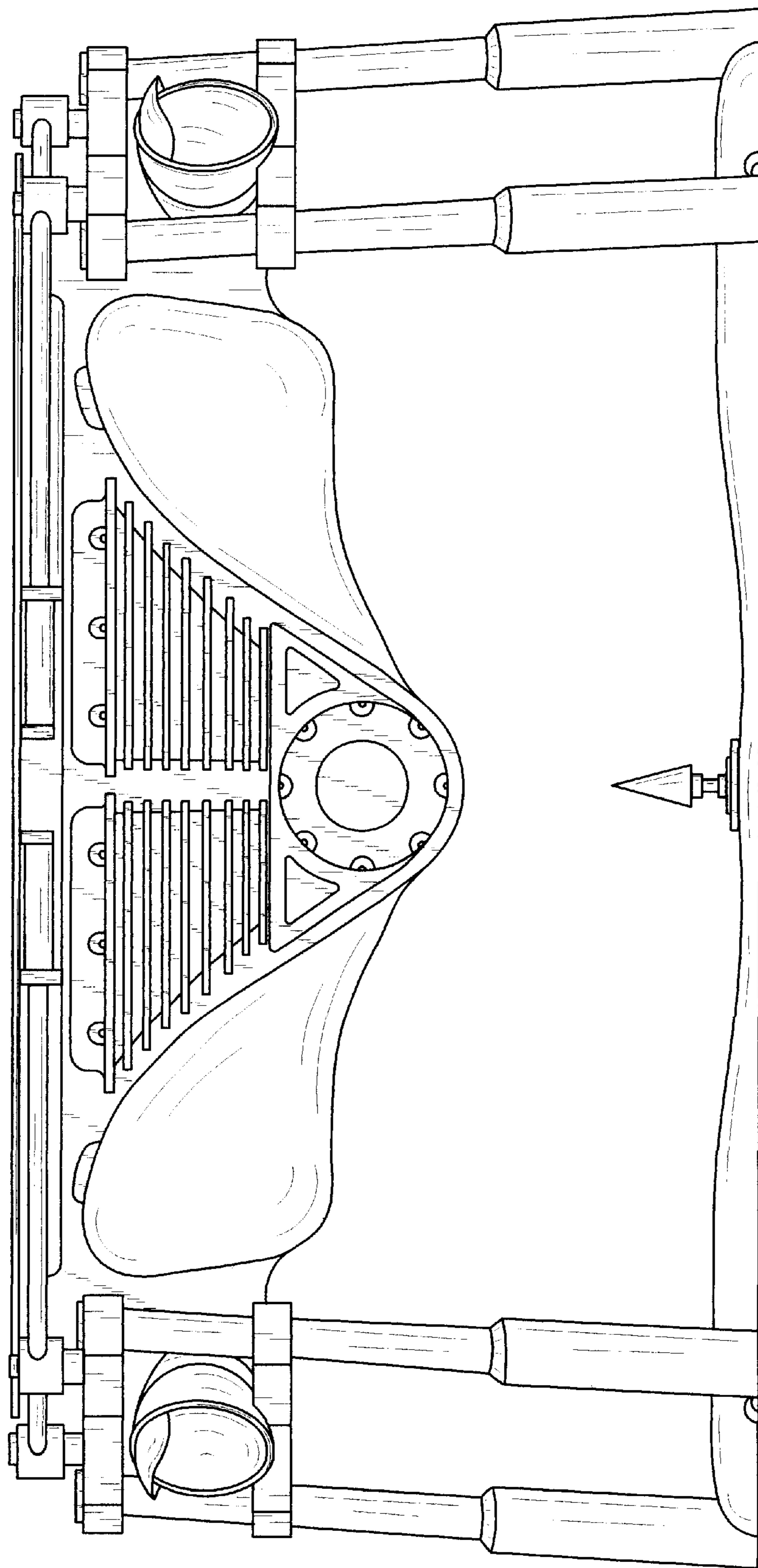


FIG. 2

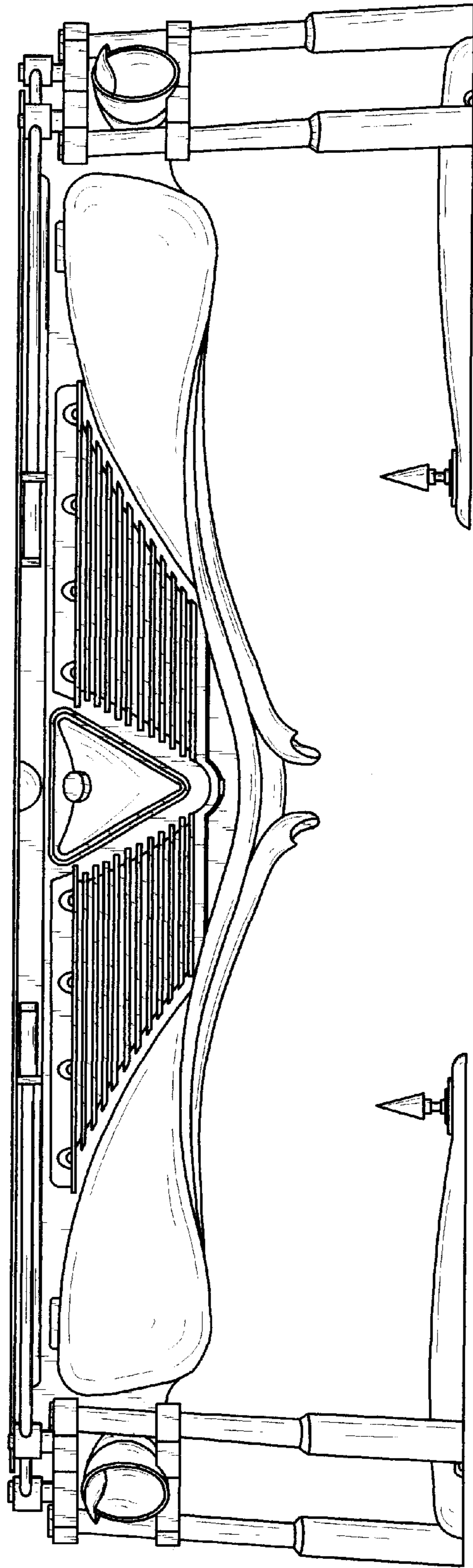


FIG. 3

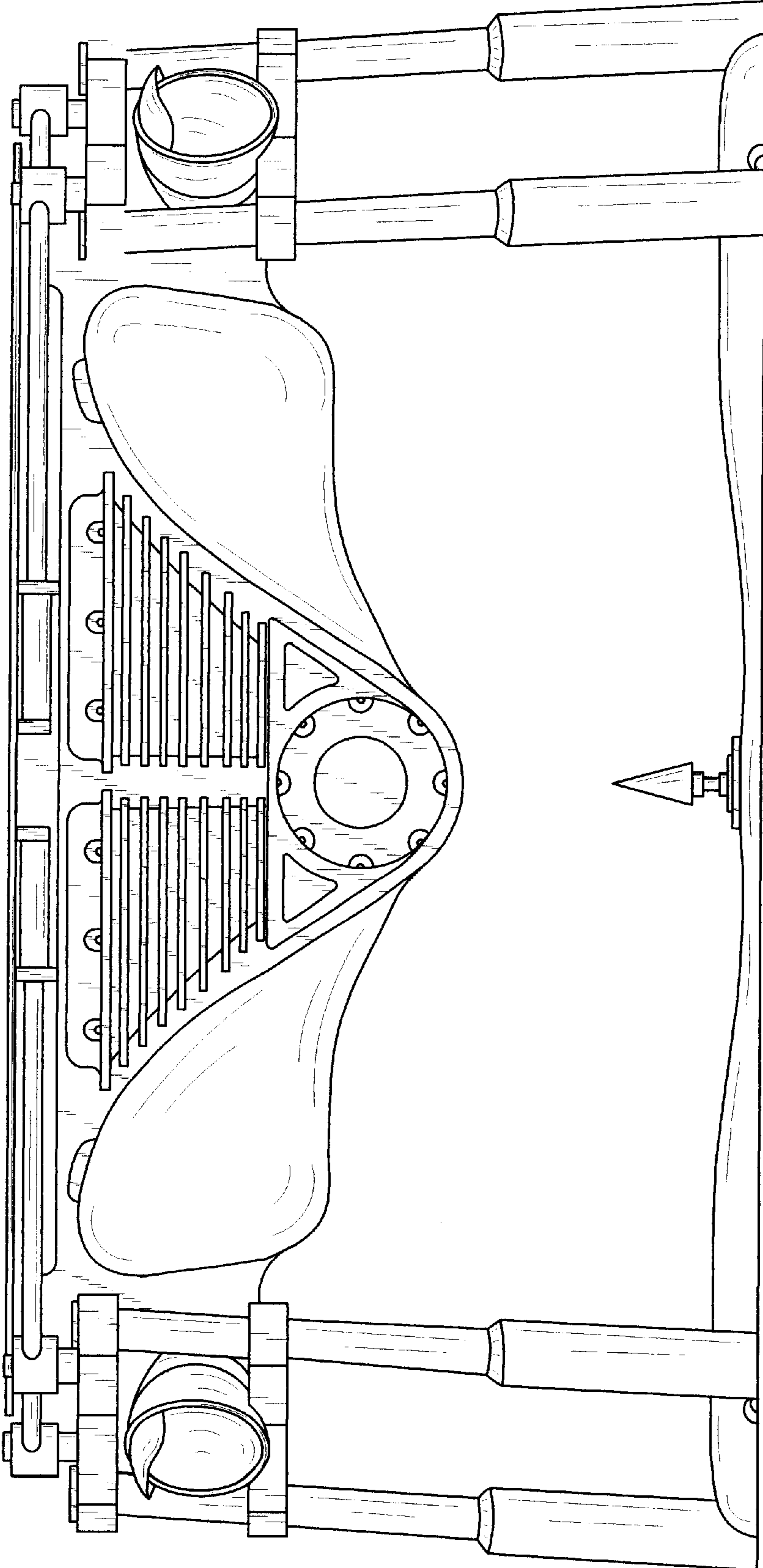


FIG. 4

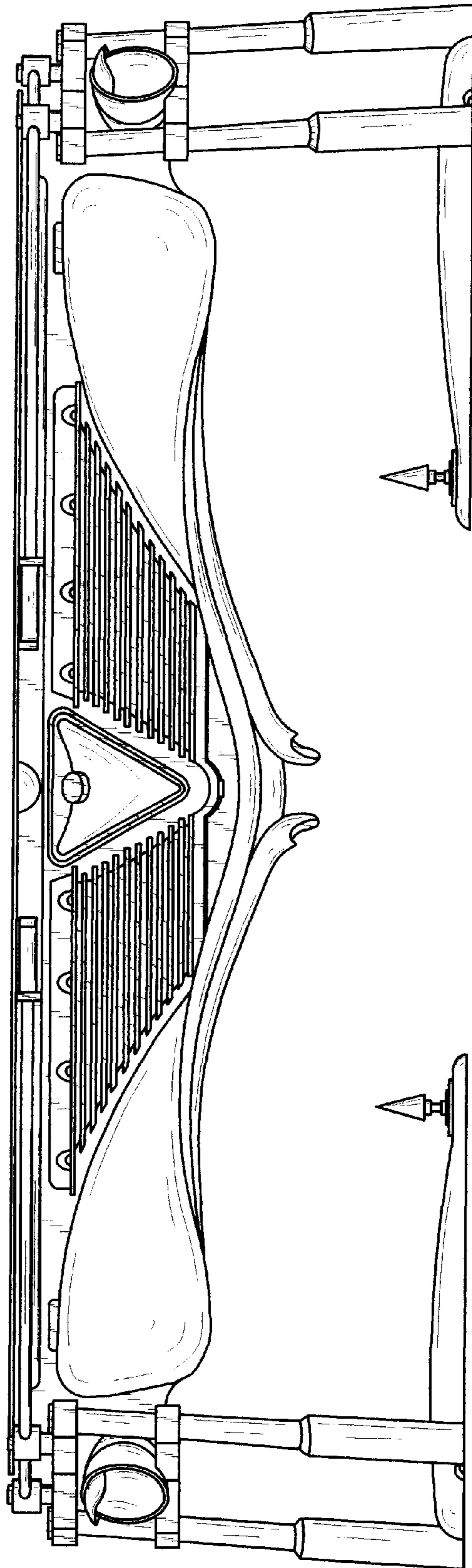


FIG. 5

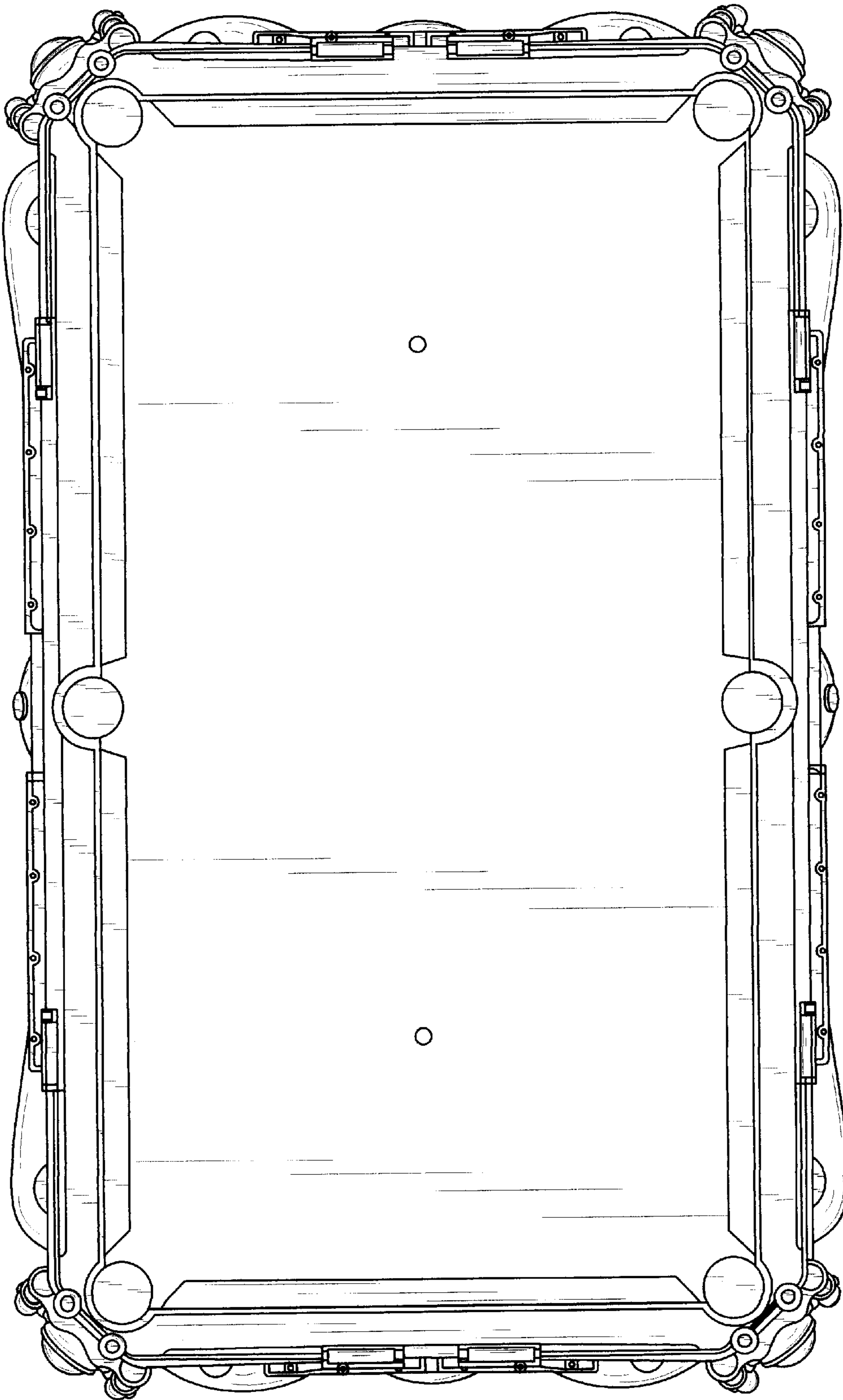


FIG. 6

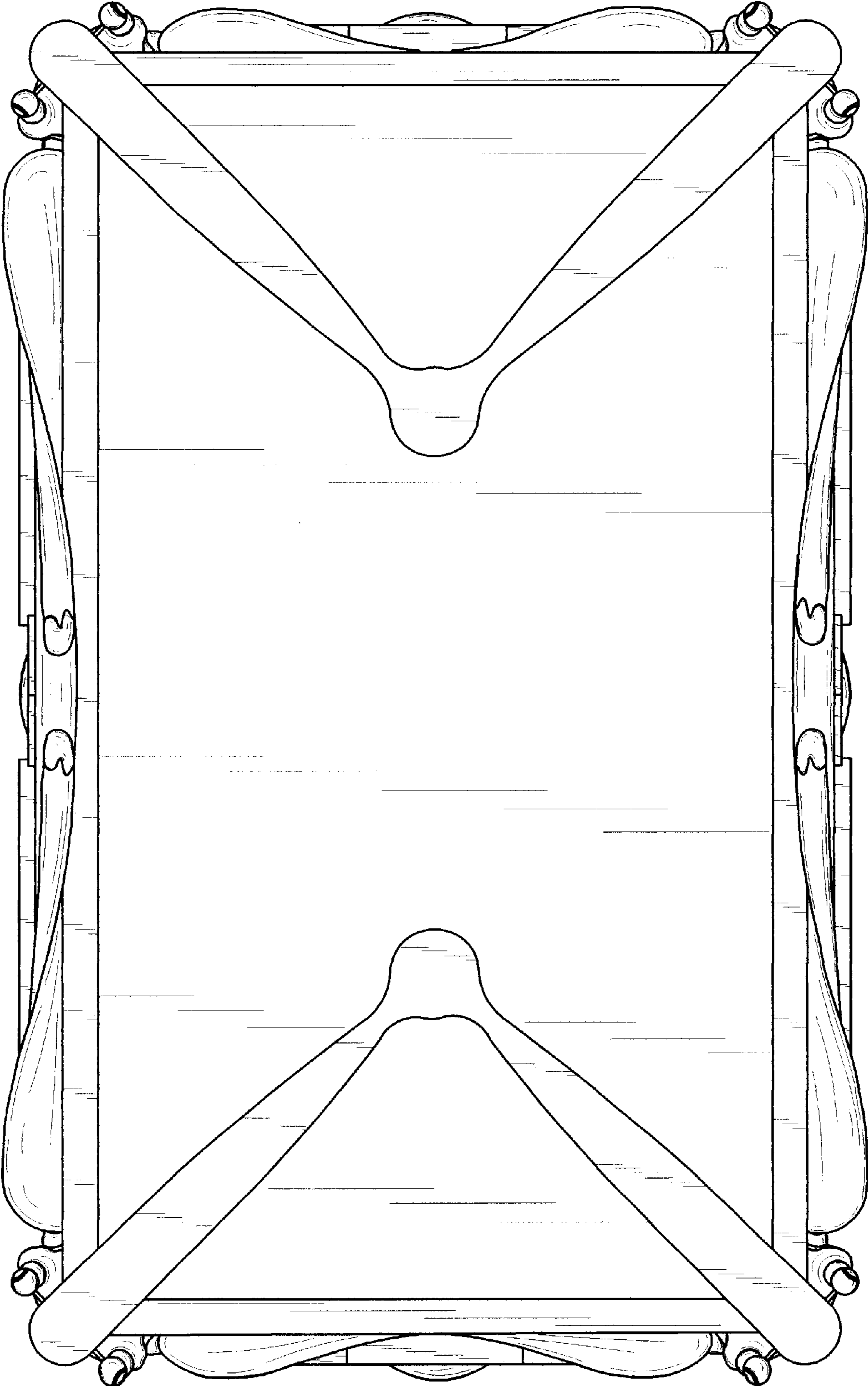


FIG. 7