



US00D572786S

(12) **United States Design Patent**  
**Ban et al.**

(10) **Patent No.:** **US D572,786 S**  
(45) **Date of Patent:** **\*\* Jul. 8, 2008**

(54) **PUTTER HEAD STRIKING FACE**  
(75) Inventors: **Wataru Ban**, Chichibu (JP); **Atsuo Tateno**, Tokyo (JP)  
(73) Assignee: **Bridgestone Sports Co., Ltd**, Tokyo (JP)  
(\*\*) Term: **14 Years**  
(21) Appl. No.: **29/274,551**  
(22) Filed: **May 1, 2007**

D458,331 S 6/2002 Wahl et al.  
D466,171 S 11/2002 Bradshaw  
D478,142 S 8/2003 Toulon et al.  
D500,823 S \* 1/2005 Aldrich ..... D21/759  
D530,764 S \* 10/2006 Frame et al. .... D21/759  
D533,613 S \* 12/2006 Byrne et al. .... D21/759  
D533,913 S \* 12/2006 Byrne et al. .... D21/759  
D537,898 S \* 3/2007 Kuan et al. .... D21/759  
D548,299 S \* 8/2007 Nguyen et al. .... D21/759  
D549,795 S \* 8/2007 Rollinson ..... D21/759  
D552,699 S \* 10/2007 Rollinson ..... D21/759  
D553,702 S \* 10/2007 Frame et al. .... D21/759  
D562,921 S \* 2/2008 Nguyen et al. .... D21/742

(30) **Foreign Application Priority Data**  
Nov. 2, 2006 (JP) ..... 2006-030023  
(51) **LOC (8) Cl.** ..... **21-02**  
(52) **U.S. Cl.** ..... **D21/759**  
(58) **Field of Classification Search** ..... D21/736-746,  
D21/759; 473/324-331, 251-256, 340-341  
See application file for complete search history.

**FOREIGN PATENT DOCUMENTS**

JP D734829 S 5/1975  
JP D488476 S 11/1978  
JP 8-229169 A 9/1996  
JP D1084113 S 9/2000  
JP D1114220 S 7/2001  
JP D1233520 S 3/2005

\* cited by examiner

*Primary Examiner*—Mitchell I Siegel  
(74) *Attorney, Agent, or Firm*—Sughrue Mion, PLLC

(56) **References Cited**

**U.S. PATENT DOCUMENTS**

1,289,553 A 12/1918 Sanders  
D285,956 S 9/1986 Shearer  
D288,952 S \* 3/1987 Schmidt et al. .... D21/759  
D351,443 S 10/1994 Caugh et al.  
D378,113 S 2/1997 Rollinson et al.  
5,637,044 A 6/1997 Swash  
D385,935 S 11/1997 Cameron  
D389,207 S 1/1998 Cameron  
D393,033 S 3/1998 Sheets  
D394,689 S 5/1998 Sheets  
D396,081 S 7/1998 Sheets  
D396,258 S 7/1998 Sheets  
D399,275 S 10/1998 Sheets  
D410,267 S 5/1999 Solheim et al.  
D438,272 S 2/2001 Moore  
D439,295 S 3/2001 Sizemore, Jr.  
D444,835 S \* 7/2001 Wahl et al. .... D21/759  
D449,087 S \* 10/2001 D'Ambrosio ..... D21/759

(57) **CLAIM**

The ornamental design for putting head striking face, as shown and described.

**DESCRIPTION**

FIG. 1 is a front elevational view of a putter on which the putter head striking face embodying our new design is provided;

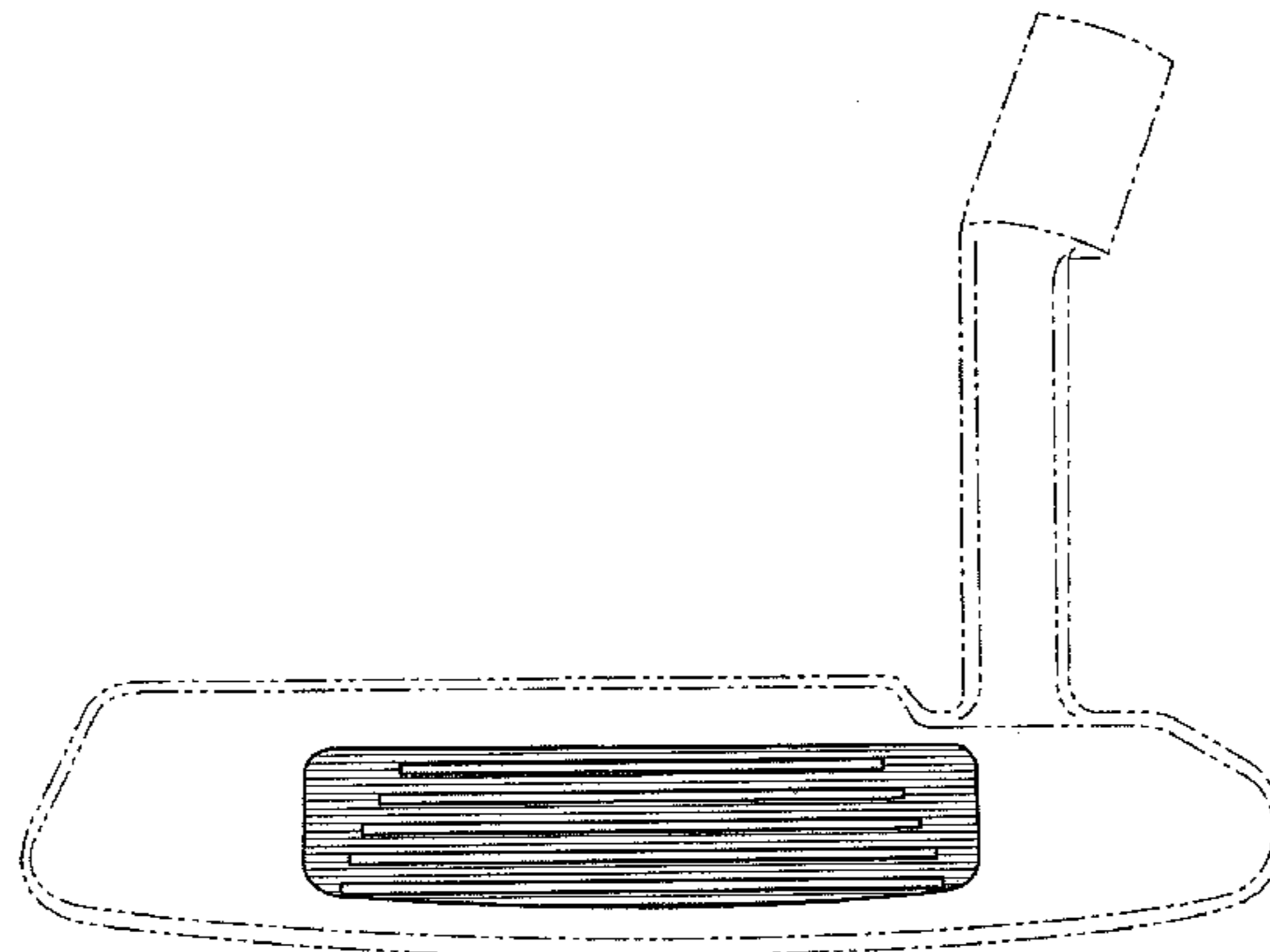
FIG. 2 is a fragmented enlarged front elevational view thereof;

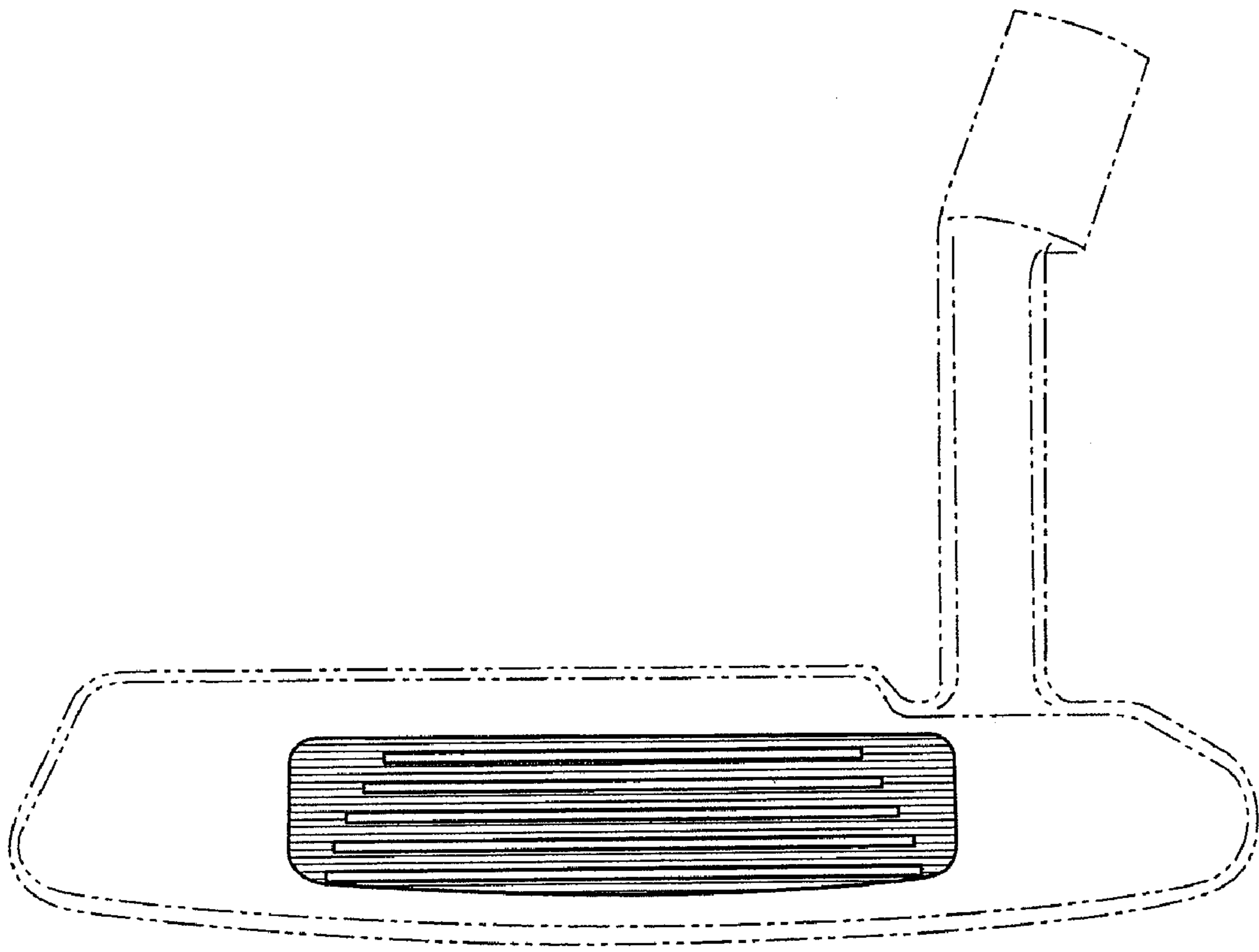
FIG. 3 is a front perspective view of FIG. 1; and,

FIG. 4 is a top front perspective view of FIG. 1.

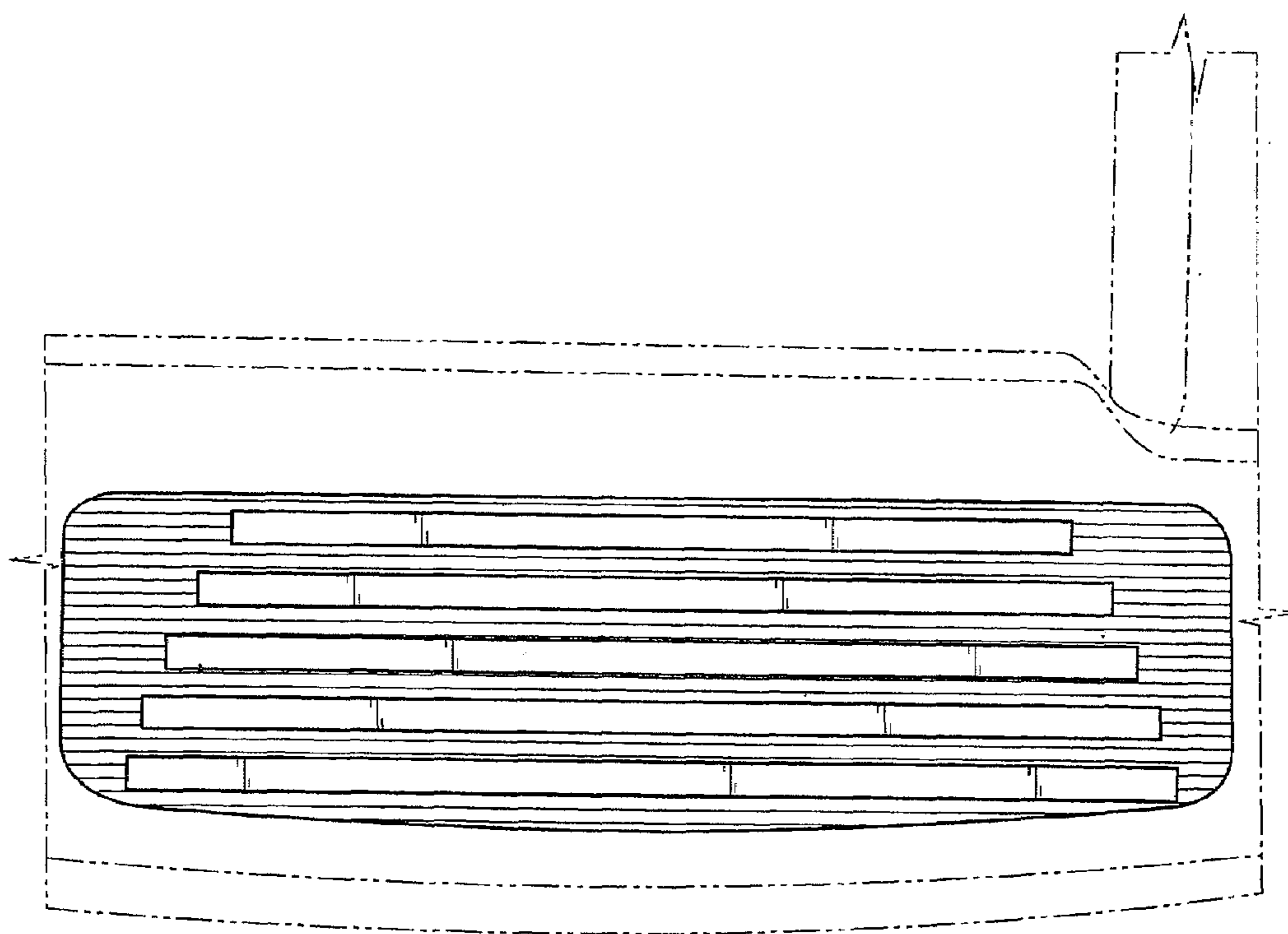
The portions shown by broken lines are for illustrative purposes only and form no part of the claimed design.

**1 Claim, 4 Drawing Sheets**

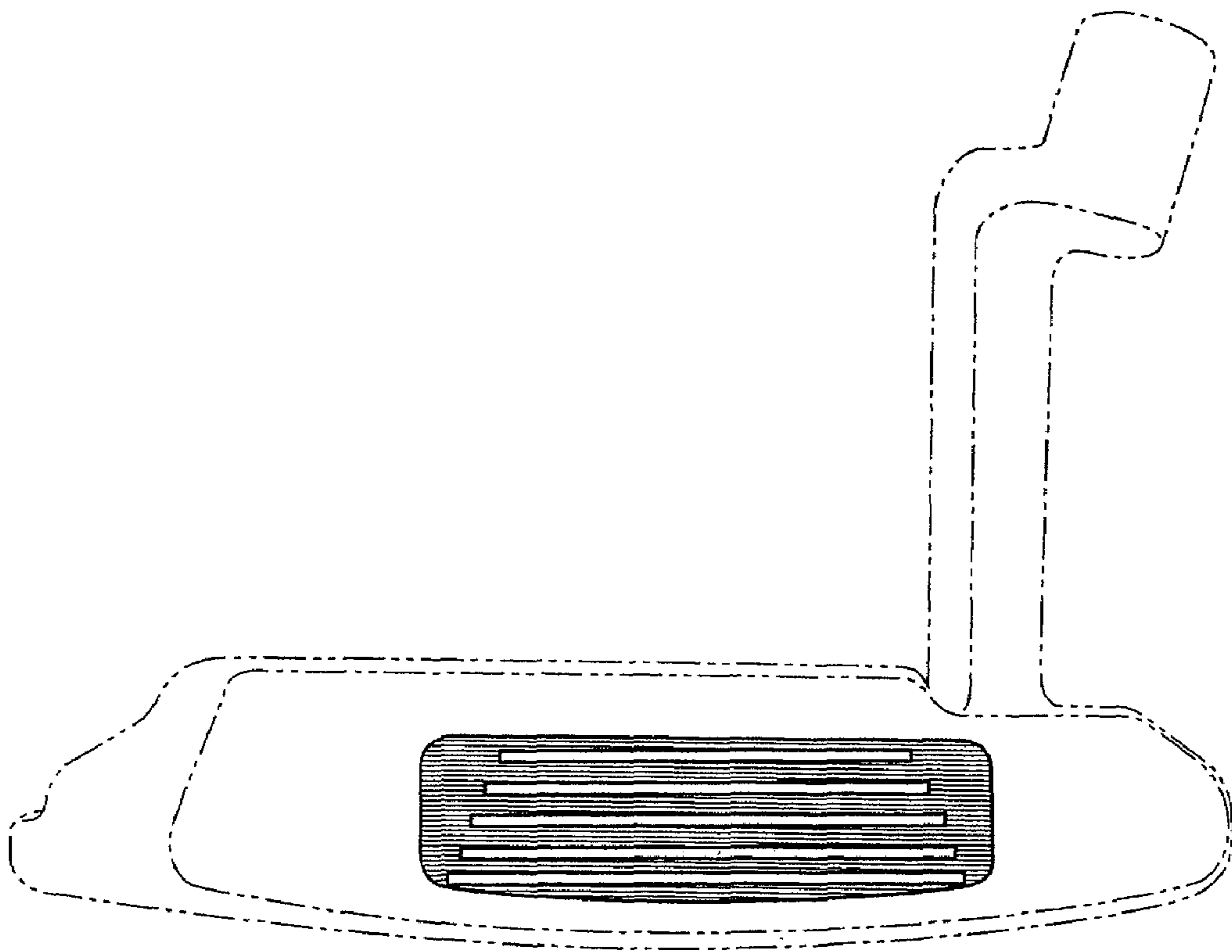




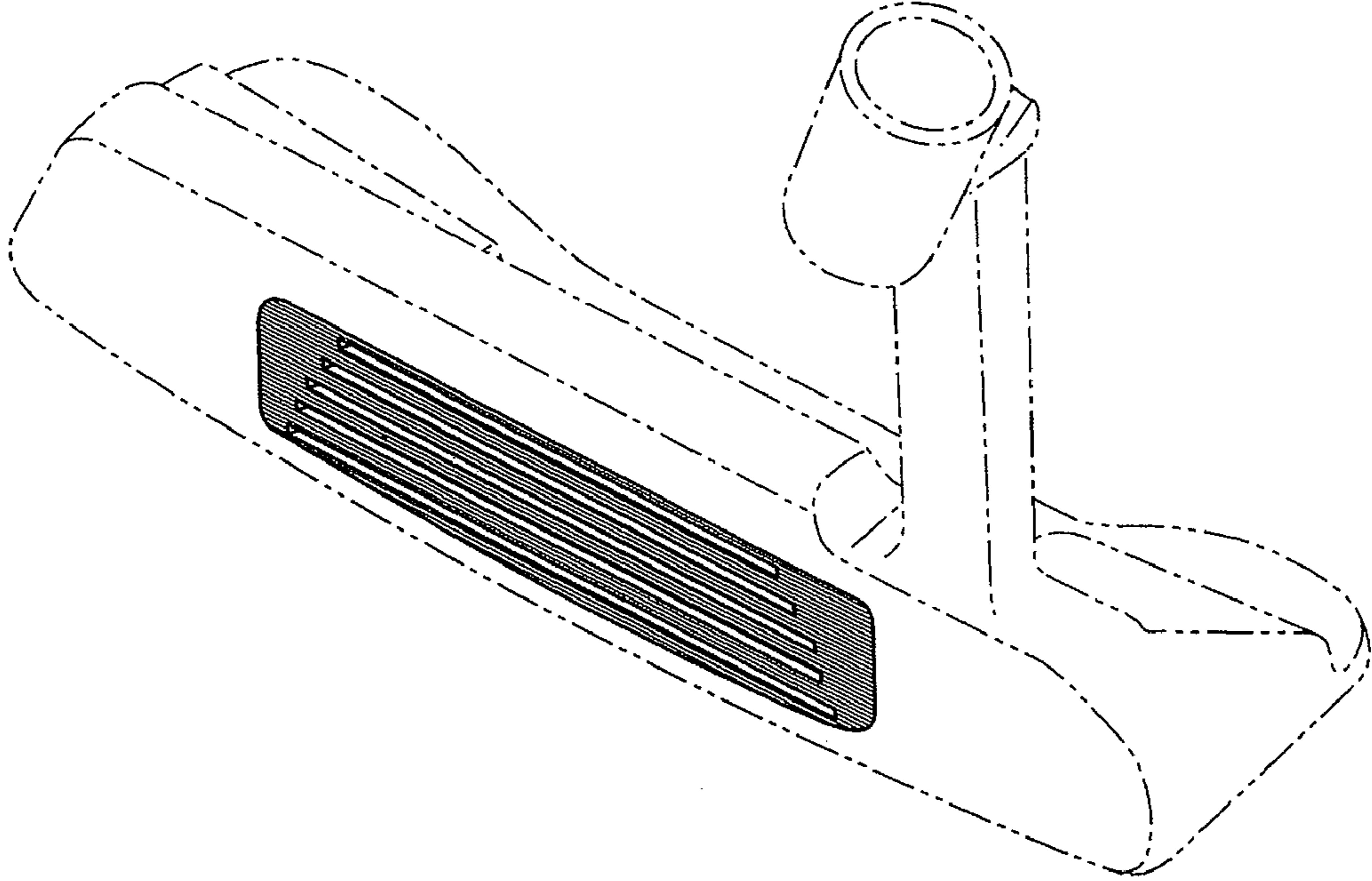
***Fig. 1***



*Fig. 2*



**Fig. 3**



**Fig. 4**