



US00D572771S

(12) **United States Design Patent**
Styles

(10) **Patent No.:** **US D572,771 S**
(45) **Date of Patent:** **** Jul. 8, 2008**

(54) **BUBBLE-BLOWING WAND**

(76) Inventor: **JP Styles**, 360 Madison Ave., Brooklyn,
NY (US) 11221

(**) Term: **14 Years**

(21) Appl. No.: **29/292,439**

(22) Filed: **Oct. 11, 2007**

(51) **LOC (8) Cl.** **21-01**

(52) **U.S. Cl.** **D21/402**

(58) **Field of Classification Search** D21/401,
D21/402, 454, 722, 729, 731; D22/114;
446/15-21; 124/5, 42, 43; 473/527

See application file for complete search history.

(56) **References Cited**

U.S. PATENT DOCUMENTS

3,295,248	A *	1/1967	Knerr et al.	446/15
D233,358	S	10/1974	Kort	
D233,903	S *	12/1974	Kort	D21/402
D235,030	S	4/1975	Ziff	
3,950,887	A *	4/1976	Kort	446/15
3,968,262	A *	7/1976	Hodska	426/134
4,076,004	A	2/1978	Huelskamp	
4,180,938	A *	1/1980	La Fata et al.	446/15
4,184,284	A	1/1980	Rogahn	
4,222,361	A *	9/1980	Jackson et al.	124/5
D263,062	S	2/1982	Rasmussen	
4,770,649	A *	9/1988	Cuccio	446/15
5,035,665	A *	7/1991	Sheng	446/15
5,041,042	A	8/1991	Stein	
D331,784	S	12/1992	Ana et al.	
D346,183	S	4/1994	Crane	
D353,166	S	12/1994	Kwak	
5,393,256	A	2/1995	Mitchell et al.	
5,465,704	A	11/1995	Kohl	
5,537,985	A	7/1996	Kohl	
5,620,351	A	4/1997	Ho	

D419,203	S	1/2000	Bao	
D419,611	S	1/2000	Bao	
6,102,764	A	8/2000	Thai	
6,139,391	A	10/2000	Thai et al.	
6,149,486	A	11/2000	Thai	
6,231,414	B1	5/2001	Ho	
6,447,357	B1	9/2002	Pearl	
6,530,815	B1 *	3/2003	Bro et al.	446/15
6,544,091	B1	4/2003	Thai	
6,908,358	B2 *	6/2005	Lin	446/16
7,021,986	B2	4/2006	Thai	
D524,901	S	7/2006	Buboltz	
2002/0065014	A1 *	5/2002	Cameron	446/15
2005/0070198	A1	3/2005	Pickering et al.	
2005/0142979	A1	6/2005	Thai	
2006/0189245	A1	8/2006	Donihoo	

* cited by examiner

Primary Examiner—Catherine Tuttle

(74) *Attorney, Agent, or Firm*—Ohlandt, Greeley, Ruggiero
& Perle, L.L.P.

(57) **CLAIM**

The ornamental design for the bubble-blowing wand, as shown and described.

DESCRIPTION

FIG. 1 is a front perspective view of a first embodiment of a bubble-blowing wand showing my new design;

FIG. 2 is a front view of the bubble-blowing wand of FIG. 1;

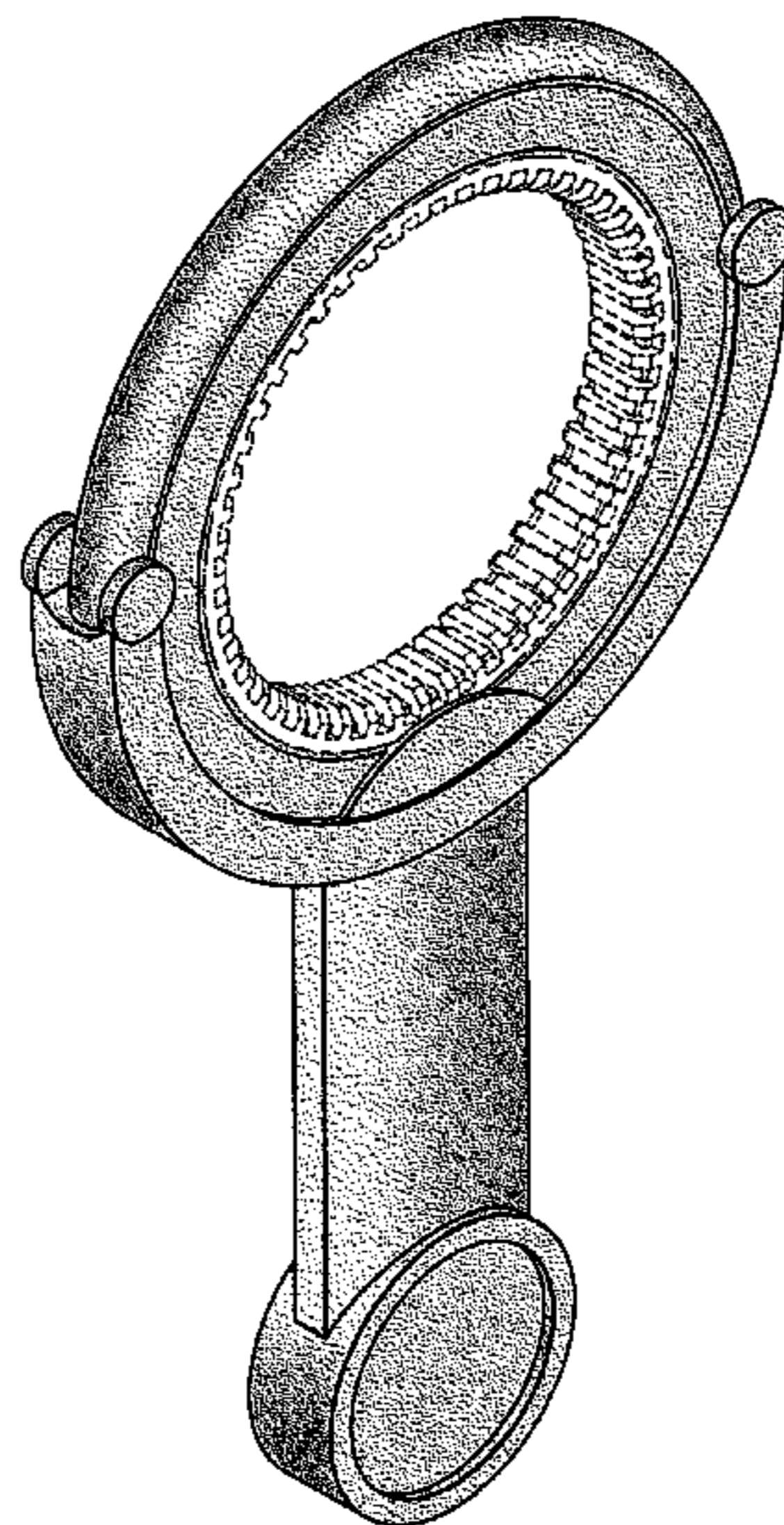
FIG. 3 is a side view of the bubble-blowing wand of FIG. 1;

FIG. 4 is a top view of the bubble-blowing wand of FIG. 1;

FIG. 5 is a bottom view of the bubble-blowing wand of FIG. 1; and,

FIG. 6 is a front view of a second embodiment of a bubble-blowing wand of the present disclosure.

1 Claim, 5 Drawing Sheets



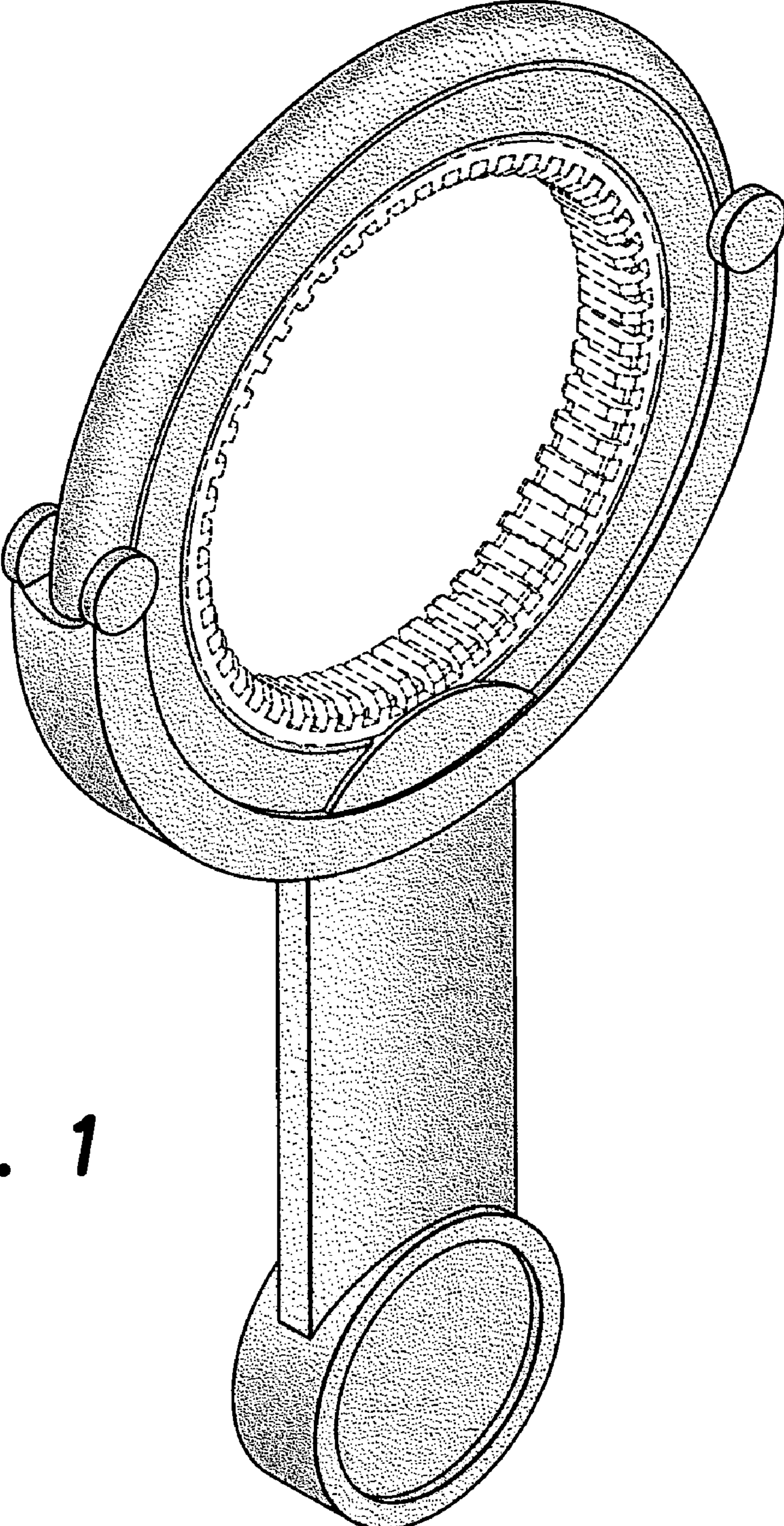


FIG. 1

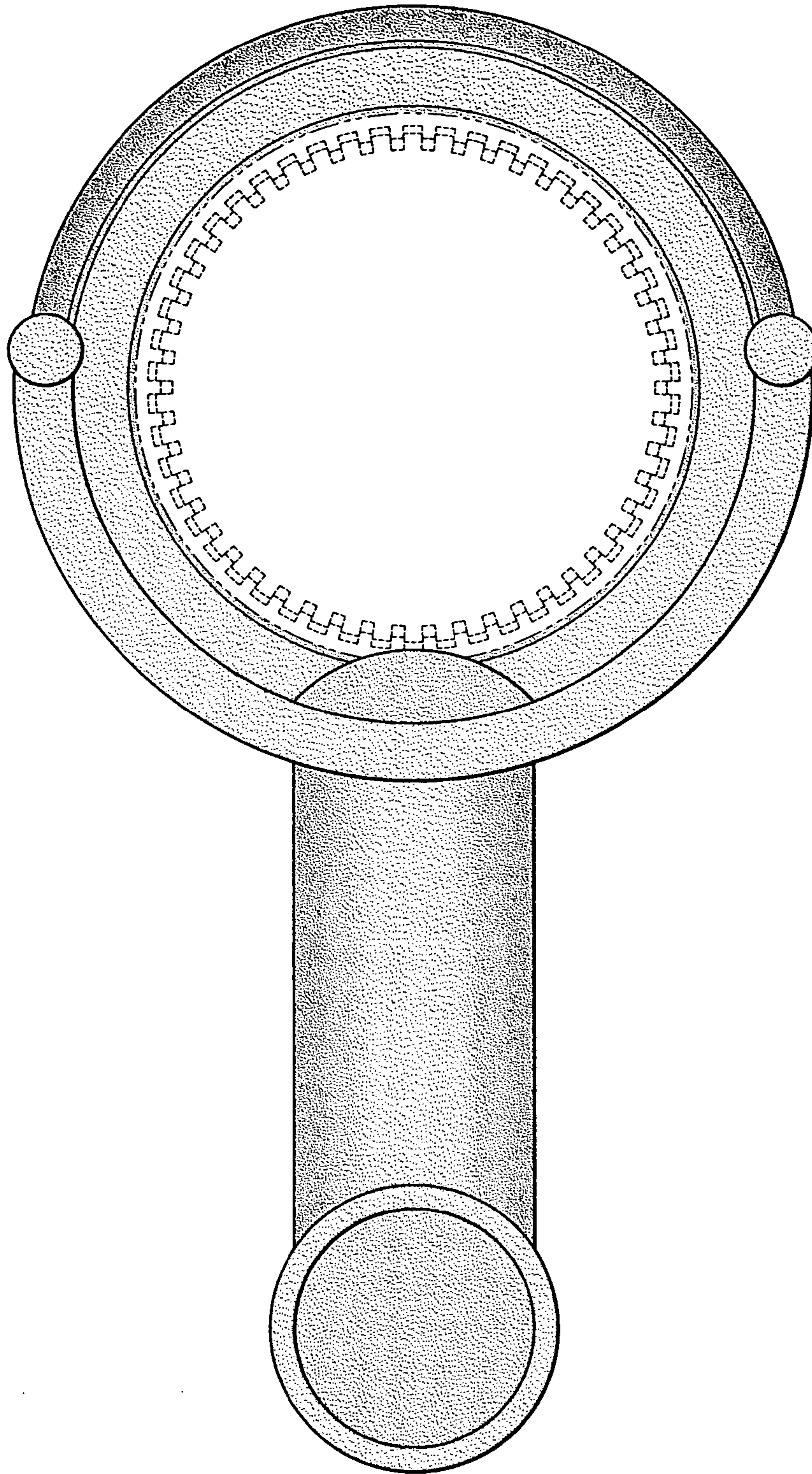


FIG. 2

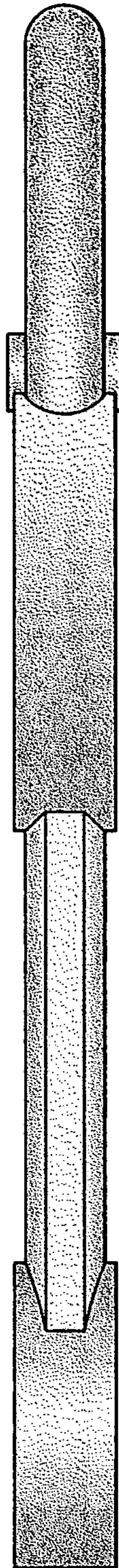


FIG. 3

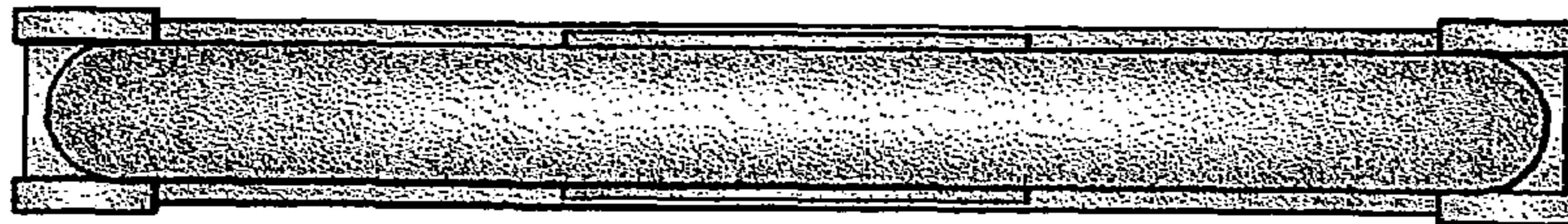


FIG. 4

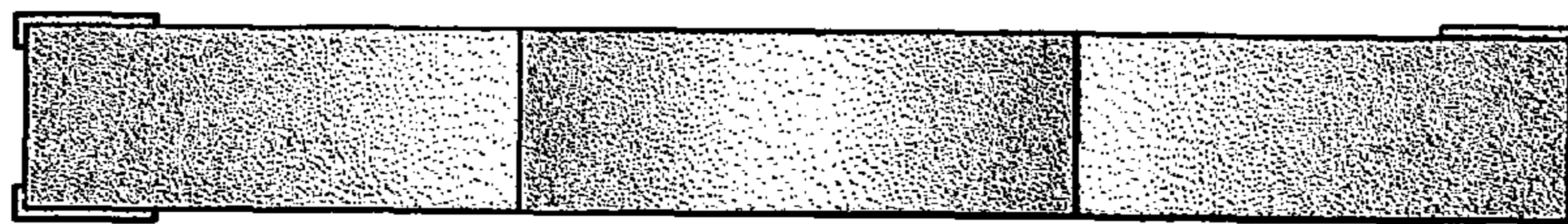


FIG. 5

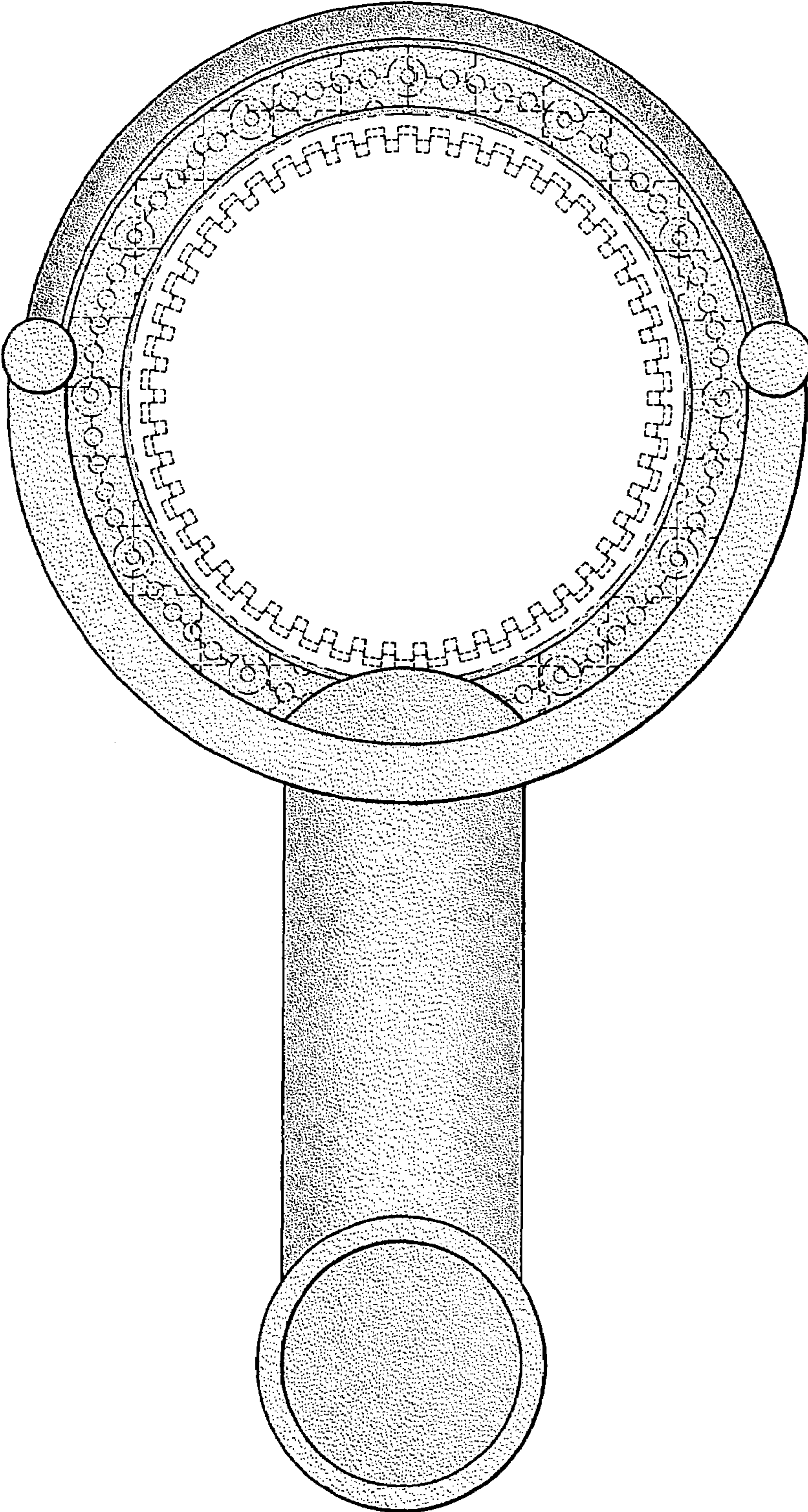


FIG. 6