



US00D572768S

(12) **United States Design Patent**
Baazov et al.

(10) **Patent No.:** **US D572,768 S**
(45) **Date of Patent:** **** Jul. 8, 2008**

(54) **POKER TABLE**

(75) Inventors: **David Baazov**, Dollard-des-Ormeaux (CA); **Albert Jann**, Cote-Saint-Luc (CA)

(73) Assignee: **Amaya Gaming Group Inc.**, Mount-Royal (QC) (CA)

(**) Term: **14 Years**

(21) Appl. No.: **29/287,250**

(22) Filed: **Jul. 13, 2007**

(30) **Foreign Application Priority Data**

Jan. 15, 2007 (EM) 000657580

(51) **LOC (8) Cl.** **21-03**

(52) **U.S. Cl.** **D21/369**

(58) **Field of Classification Search** D21/324, D21/329, 369-371, 396-397; 273/268, 274, 273/309; 463/17, 20, 46, 47

See application file for complete search history.

(56) **References Cited**

U.S. PATENT DOCUMENTS

1,900,513 A	3/1933	Marsh	
D400,950 S	11/1998	Nally et al.	
6,095,524 A	8/2000	Richter et al.	
D512,466 S	12/2005	White et al.	
D547,386 S *	7/2007	Skotarczak et al. D21/369
D547,387 S *	7/2007	Maguire et al. D21/369

D561,267 S *	2/2008	Baazov et al. D21/369
2006/0055114 A1	3/2006	White et al.	
2006/0068879 A1 *	3/2006	Crawford et al. 463/17

* cited by examiner

Primary Examiner—Sandra Morris

(74) *Attorney, Agent, or Firm*—Equinox Protection; Franz Bonsang, Patent Agent

(57) **CLAIM**

The ornamental design for a poker table, as shown, and described.

DESCRIPTION

FIG. 1 is a top perspective view of a poker table showing a first embodiment of our new design;

FIG. 2 is a top plan view thereof;

FIG. 3 is a front elevational view thereof; the rear elevational view is a mirror image thereof;

FIG. 4 is a left side elevational view thereof; the right side elevational view is a mirror image thereof;

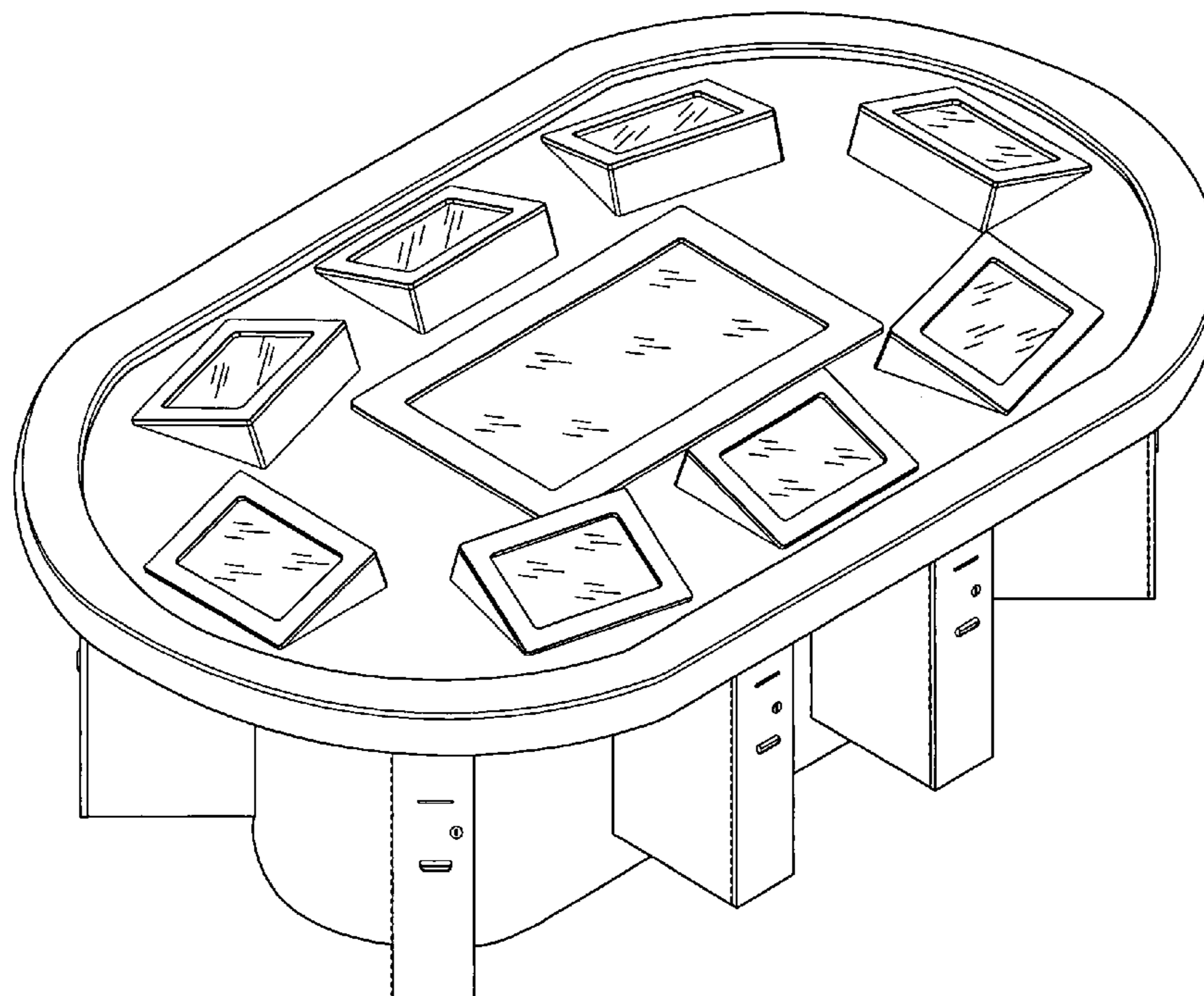
FIG. 5 is a top perspective view of a poker table showing a second embodiment of our new design;

FIG. 6 is a top plan view thereof;

FIG. 7 is a front elevational view thereof; the rear elevational view is a mirror image thereof; and,

FIG. 8 is a left side elevational view thereof; the right side elevational view is a mirror image thereof.

1 Claim, 8 Drawing Sheets



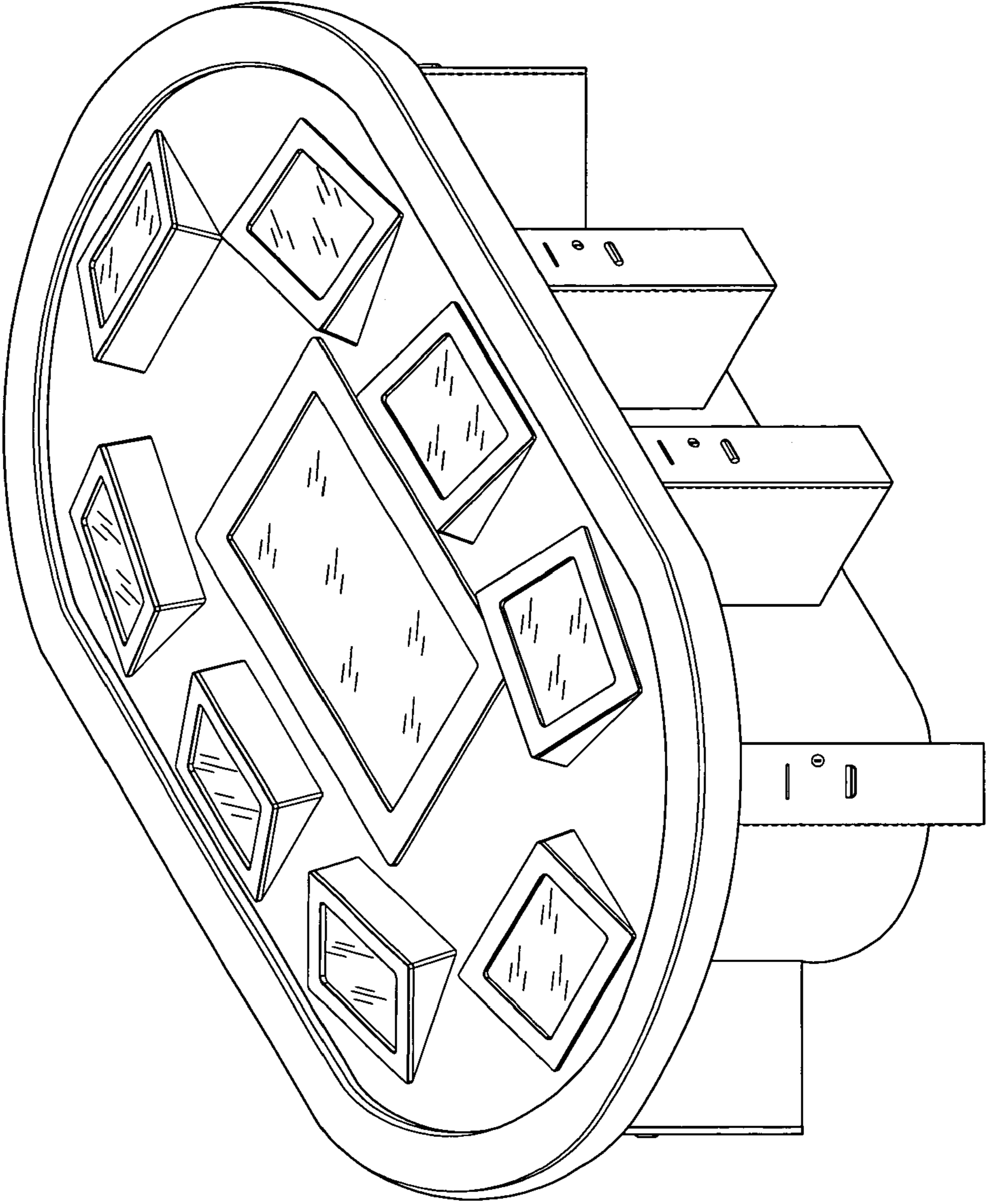


FIG. 1

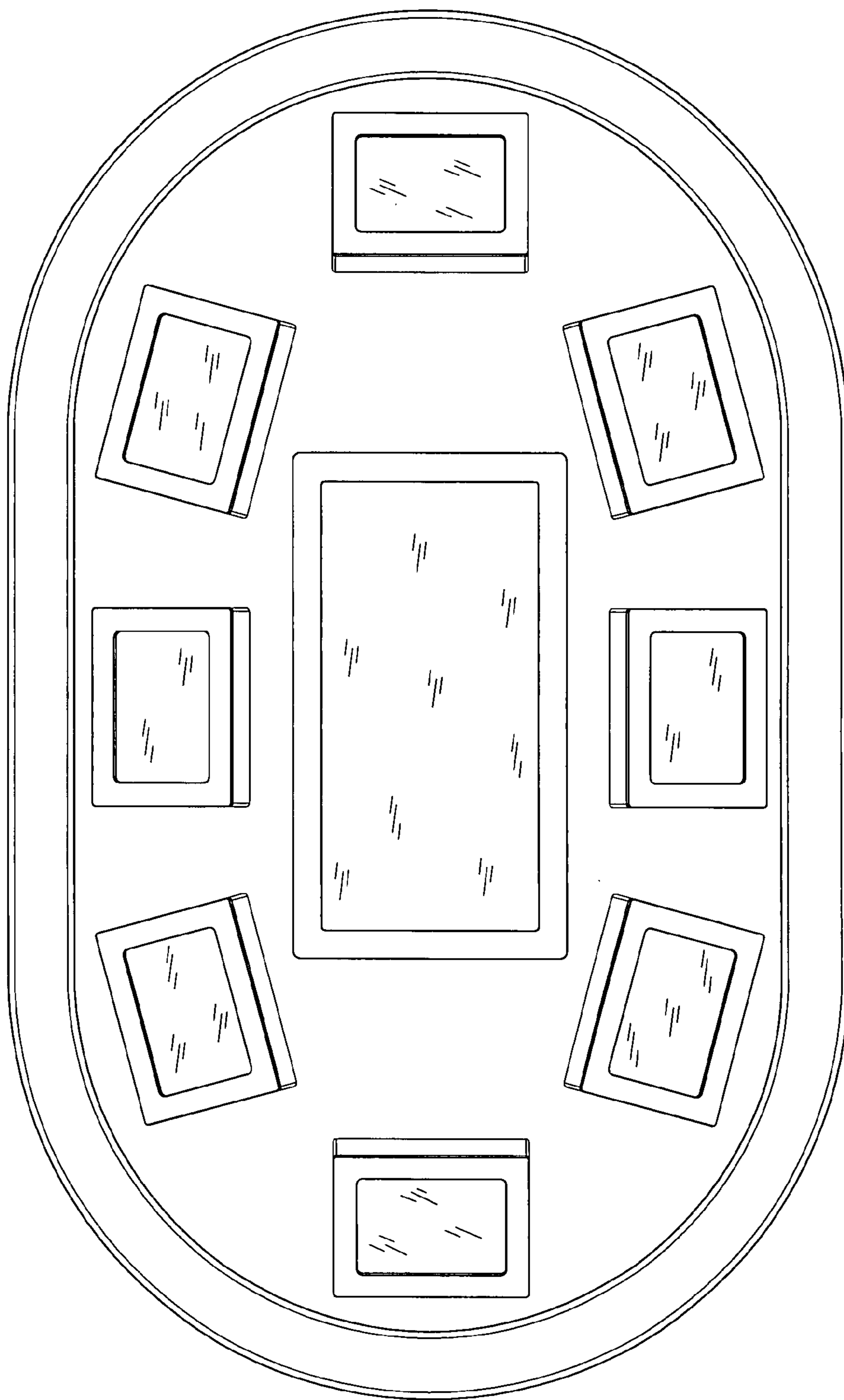


FIG. 2

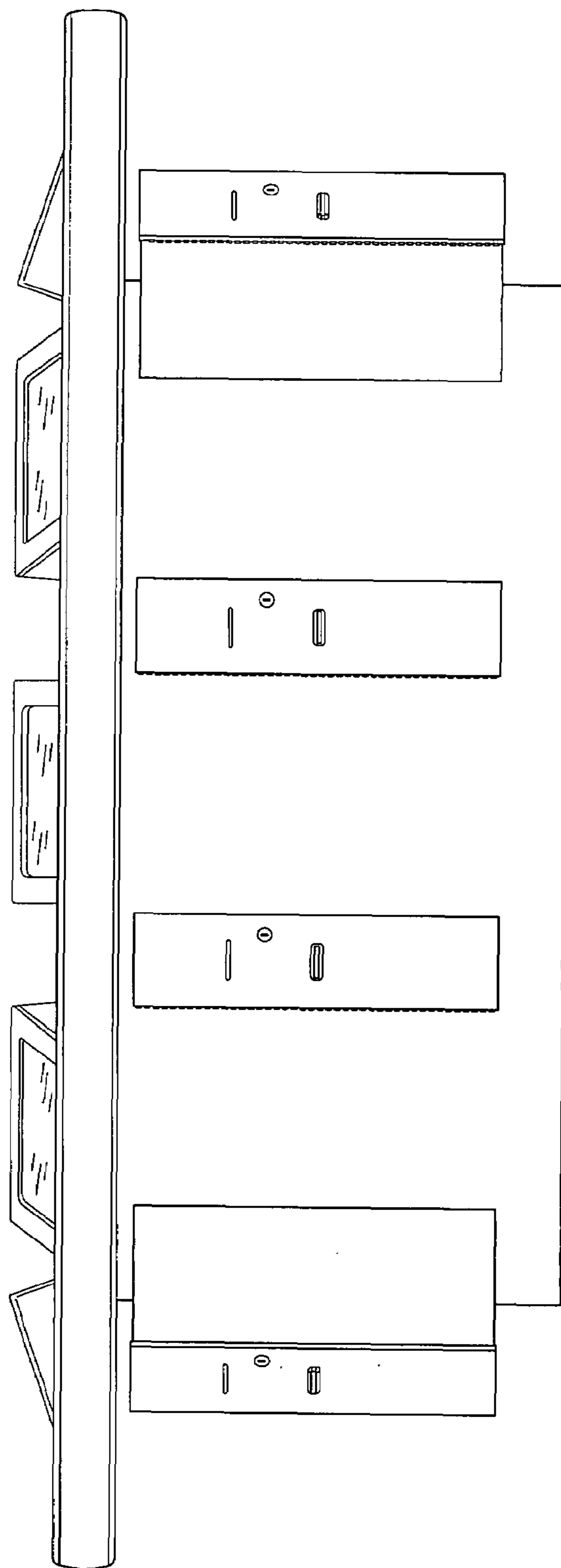


FIG. 3

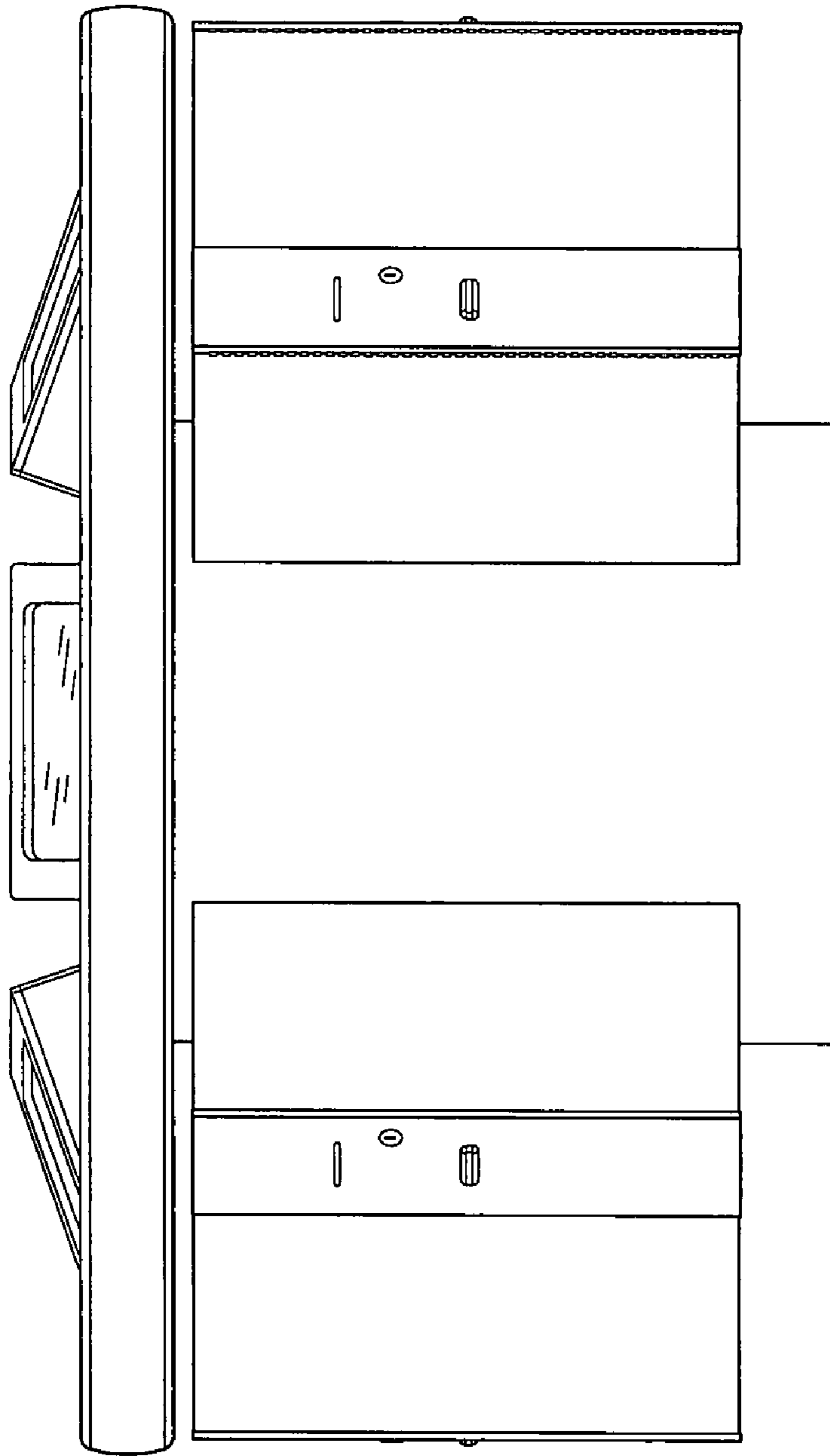


FIG. 4

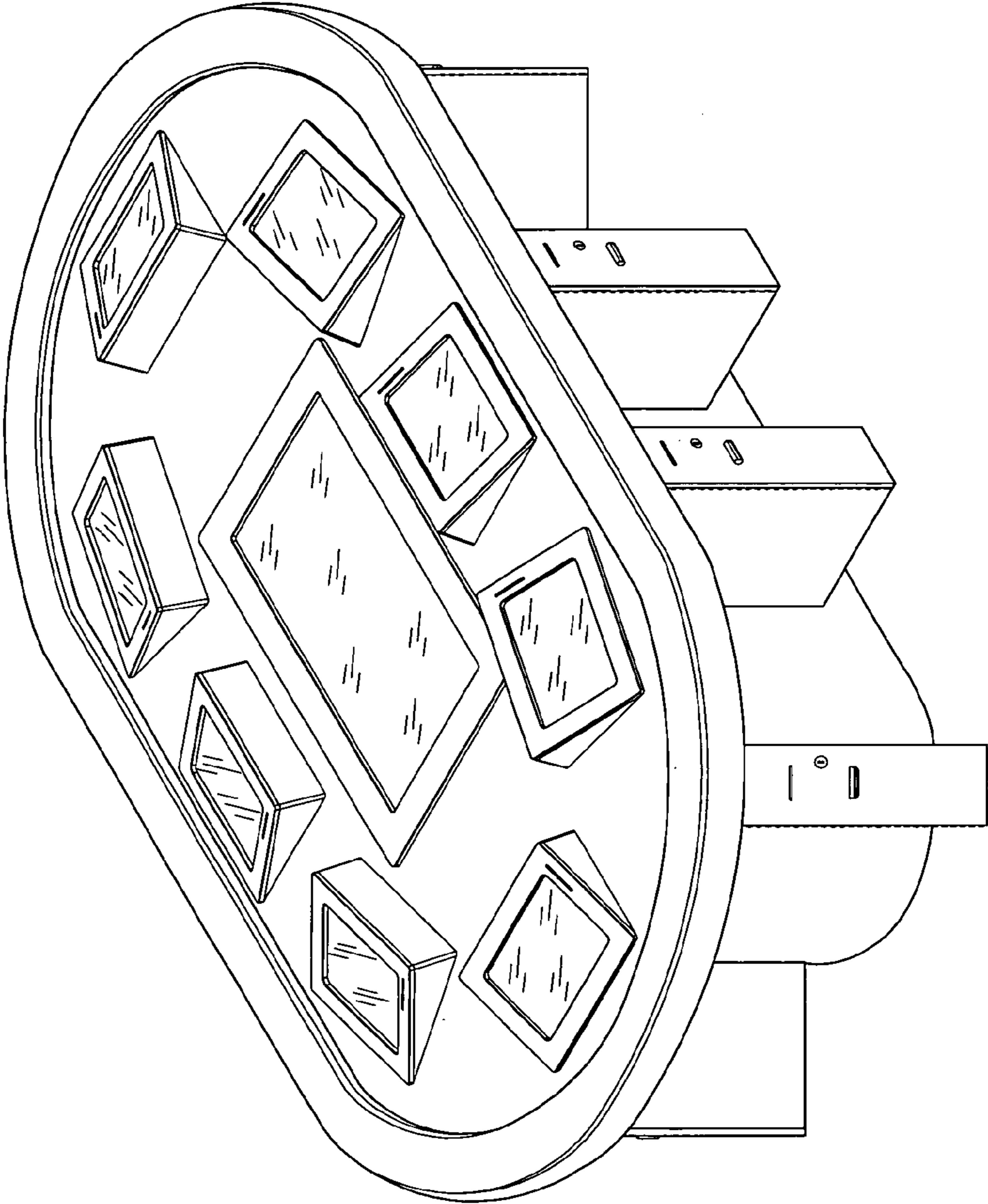


FIG.5

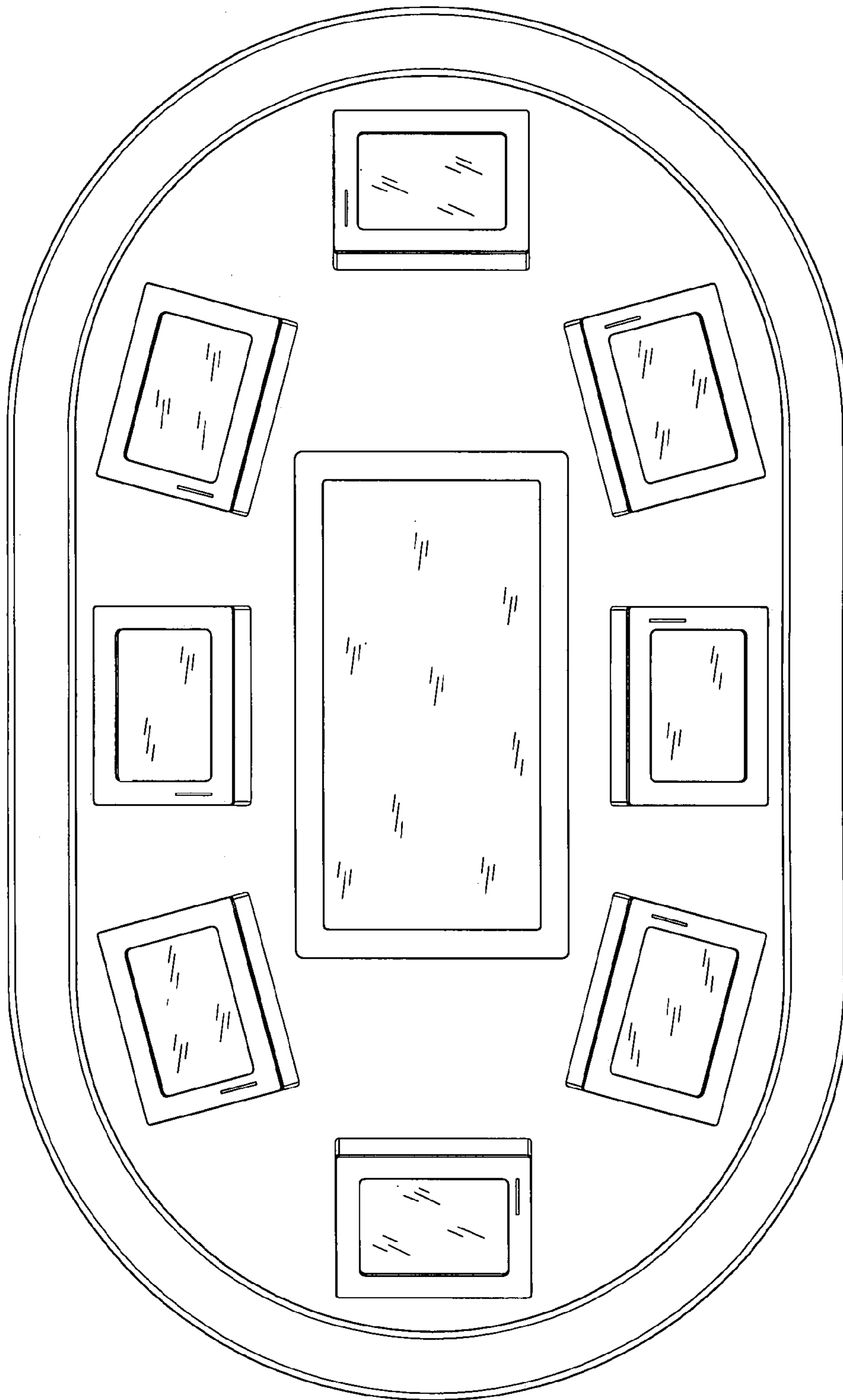


FIG. 6

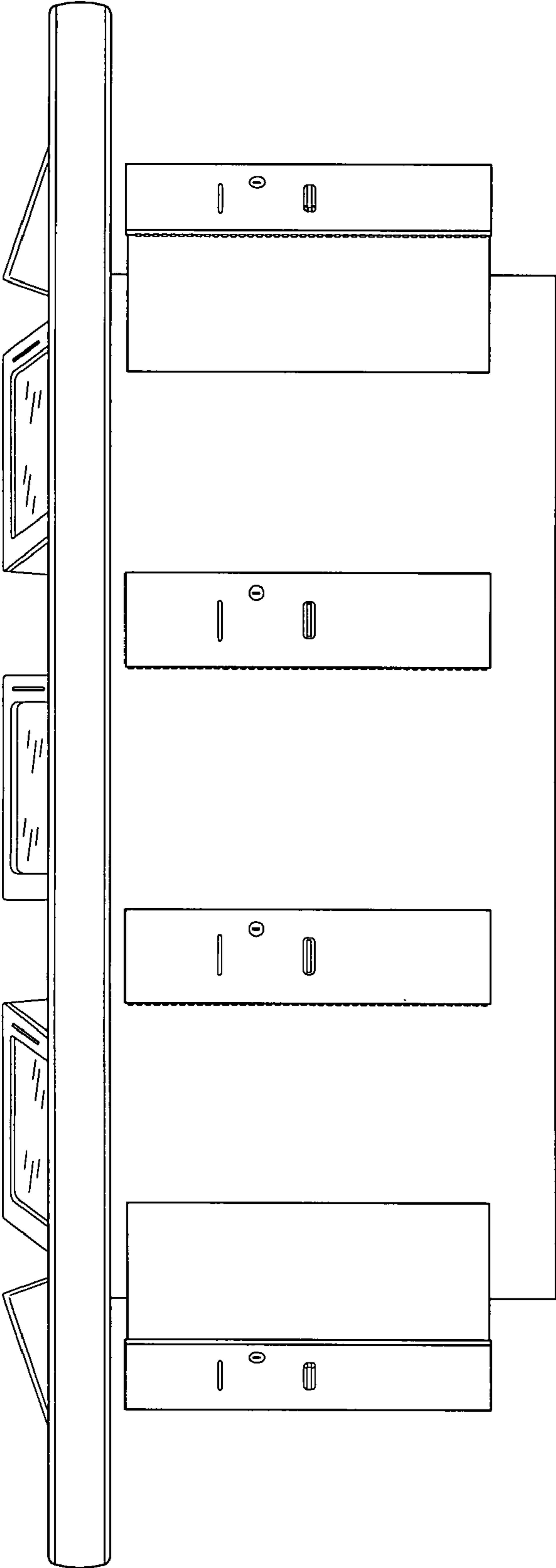


FIG. 7

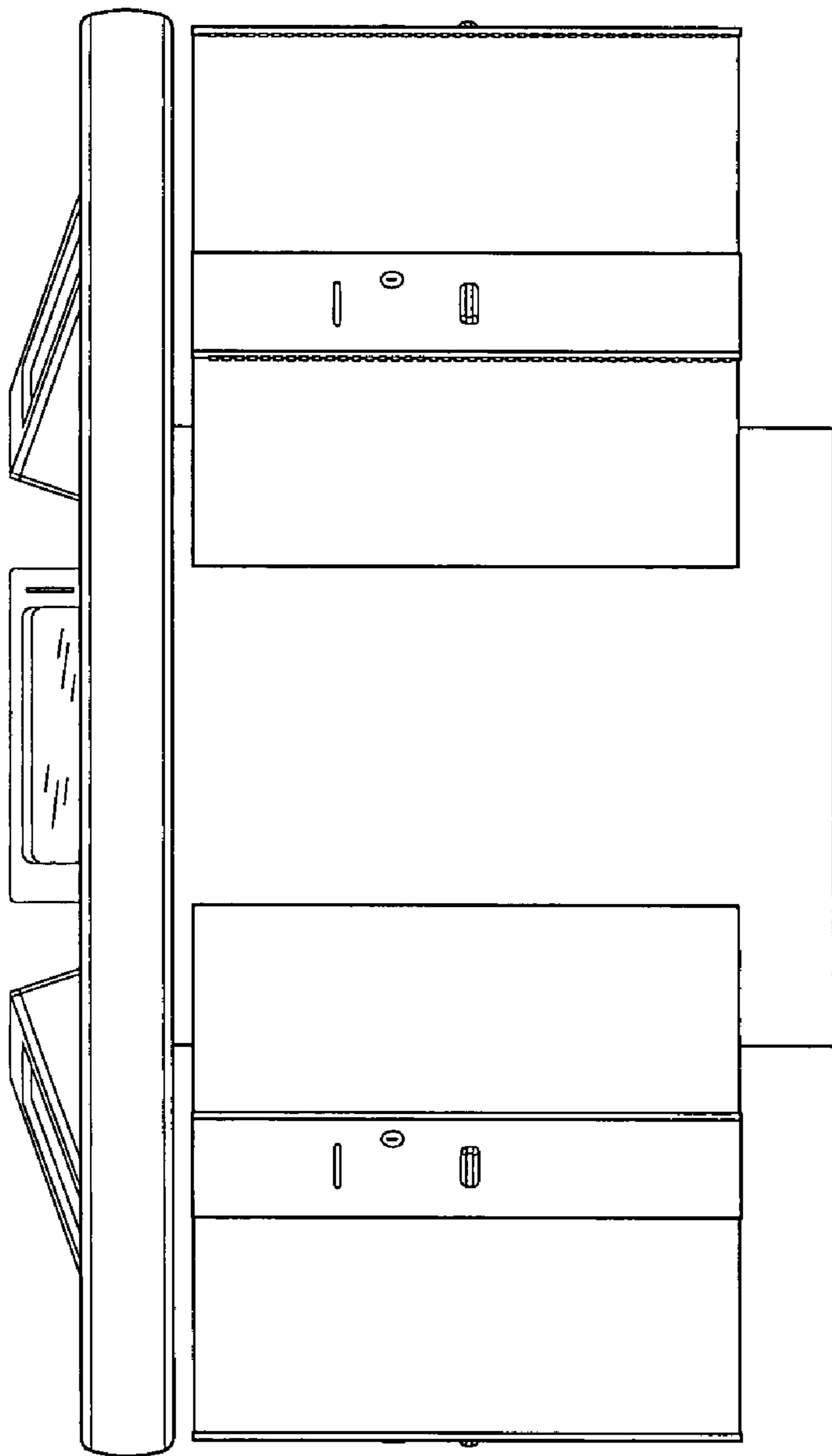


FIG. 8