



US00D572766S

(12) **United States Design Patent**  
**Smyser**

(10) **Patent No.:** **US D572,766 S**  
(45) **Date of Patent:** **\*\* Jul. 8, 2008**

(54) **FRAME FOR DISPLAYING PHOTOGRAPH ALBUM**

(76) Inventor: **David K. Smyser**, 4712 Jennings Dr., Colony, TX (US) 75056

(\*\*) Term: **14 Years**

(21) Appl. No.: **29/276,327**

(22) Filed: **Jan. 23, 2007**

(51) **LOC (8) Cl.** ..... **20-03**

(52) **U.S. Cl.** ..... **D20/43; D20/42; D6/300**

(58) **Field of Classification Search** ..... D20/10, D20/15, 19, 40, 42, 43, 99; 40/107, 120, 40/124.01, 341, 642.02, 649, 659, 661, 661.08, 40/662, 700, 739, 745, 749, 750, 752, 765, 40/790, 797; D6/300, 310, 315, 318, 319, D6/419, 463, 553; 283/56; D8/373; D19/91; 248/477

See application file for complete search history.

(56) **References Cited**

**U.S. PATENT DOCUMENTS**

215,669	A *	5/1879	Pruyn et al.	40/107
D137,205	S *	2/1944	Petzke	D8/373
D217,002	S *	3/1970	Wagner	D20/43
D221,505	S *	8/1971	Roston	D20/10
D235,083	S *	5/1975	Crandell	D20/15
4,041,630	A	8/1977	Holbrook	
4,067,536	A	1/1978	McBeth	
4,258,488	A	3/1981	Schienbein	

D260,589	S *	9/1981	O'Brien	D6/463
D267,416	S *	12/1982	Liptak et al.	D20/43
D268,687	S *	4/1983	Rogers	D19/91
4,590,696	A	5/1986	Squitieri	
D288,630	S	3/1987	Haugen	
D294,088	S *	2/1988	Lofredo	D6/300
D299,022	S *	12/1988	King et al.	D13/132
5,316,404	A	5/1994	Hensel	
D394,160	S *	5/1998	Yarbrough	D6/310
6,070,721	A	6/2000	Levitan	
2004/0003520	A1 *	1/2004	Trew	40/124.01

\* cited by examiner

*Primary Examiner*—Caron D. Veynar  
*Assistant Examiner*—Mary Ann Calabrese

(57) **CLAIM**

The ornamental design for a frame for displaying photograph album, as shown and described.

**DESCRIPTION**

FIG. 1 is a front elevation view of a frame for displaying photograph album showing my new design;

FIG. 2 is a rear elevation view;

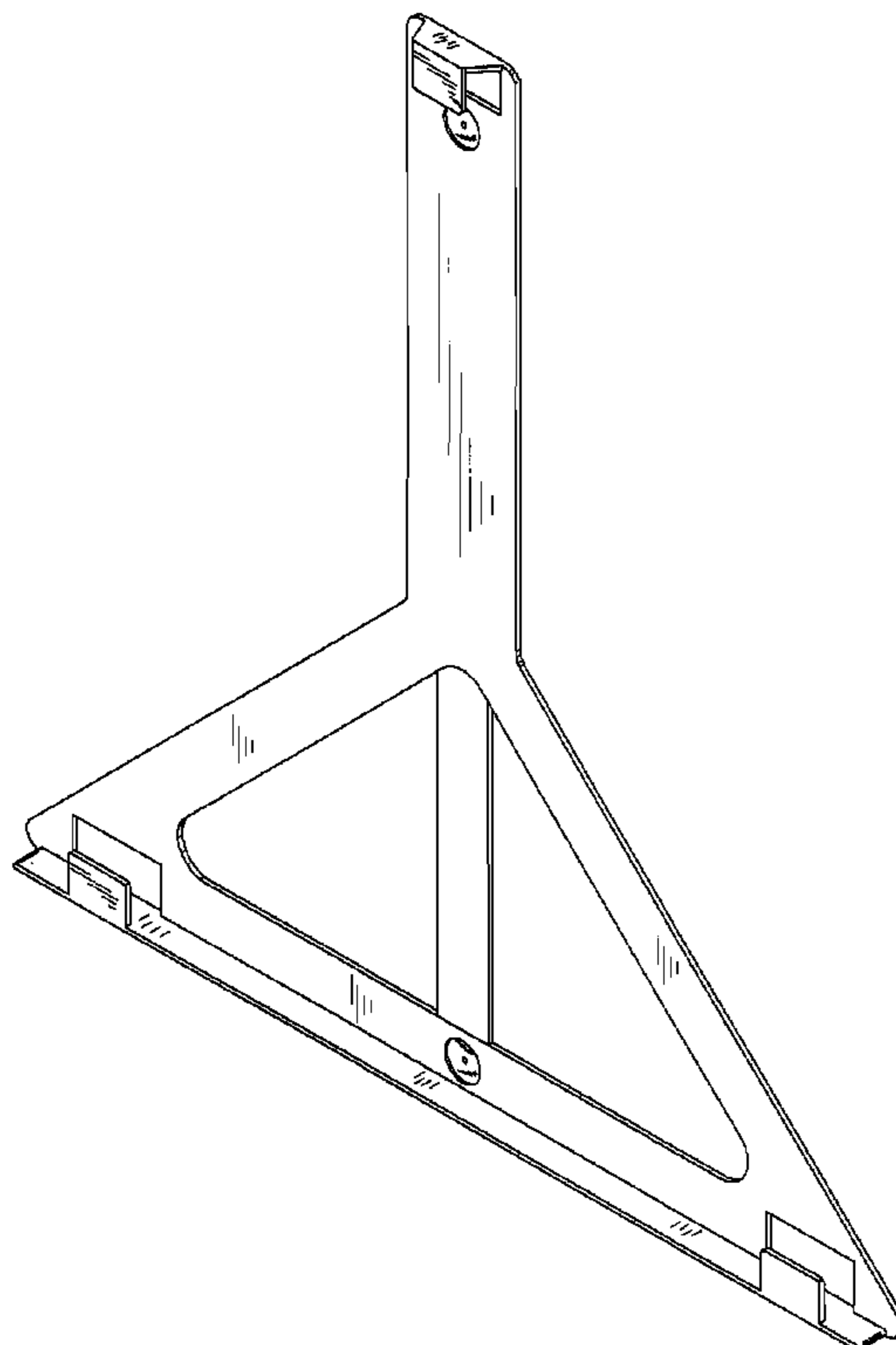
FIG. 3 is a side elevation view;

FIG. 4 is a top plan view;

FIG. 5 is a bottom plan view; and,

FIG. 6 is an isometric view of a frame for displaying photograph album showing my new design.

**1 Claim, 4 Drawing Sheets**



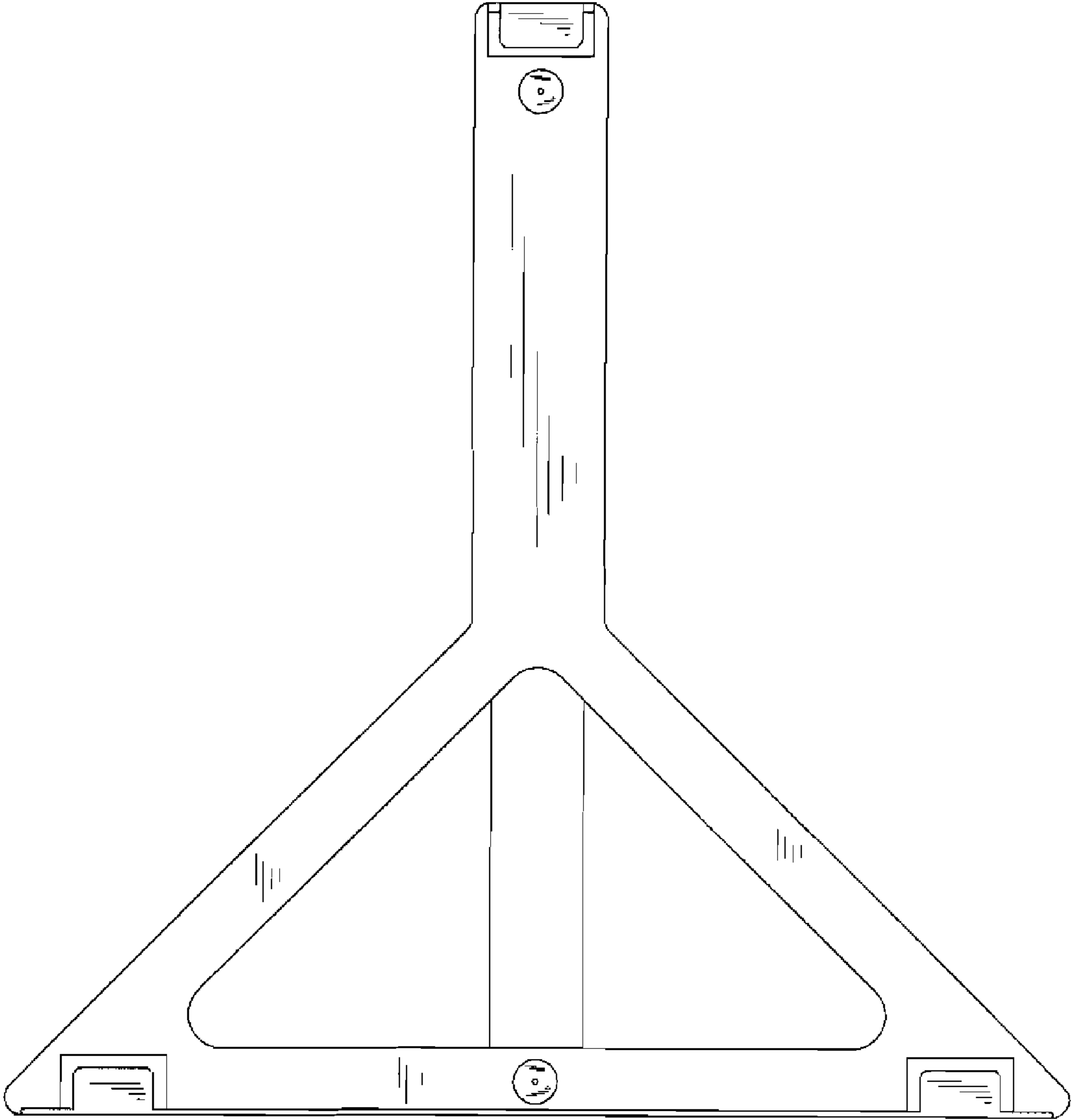


FIG. 1

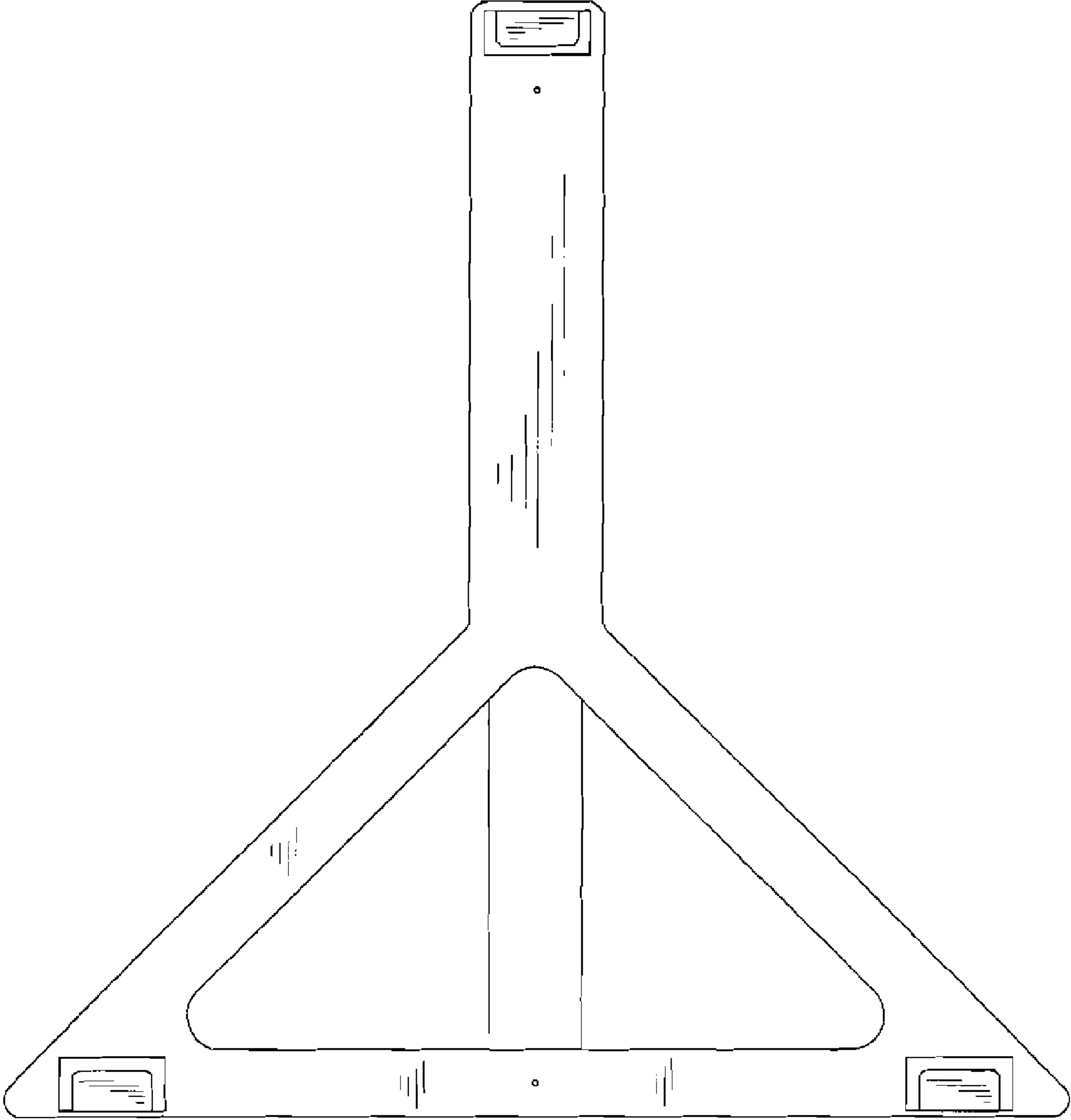


FIG. 2

FIG. 3

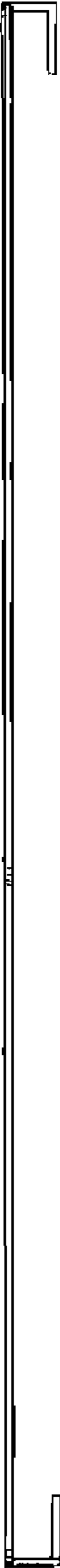
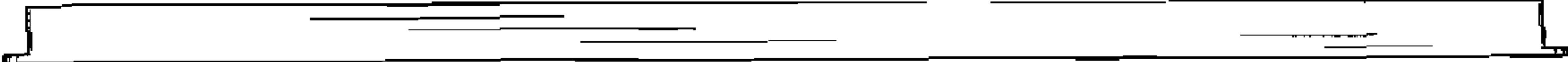


FIG. 4



FIG. 5



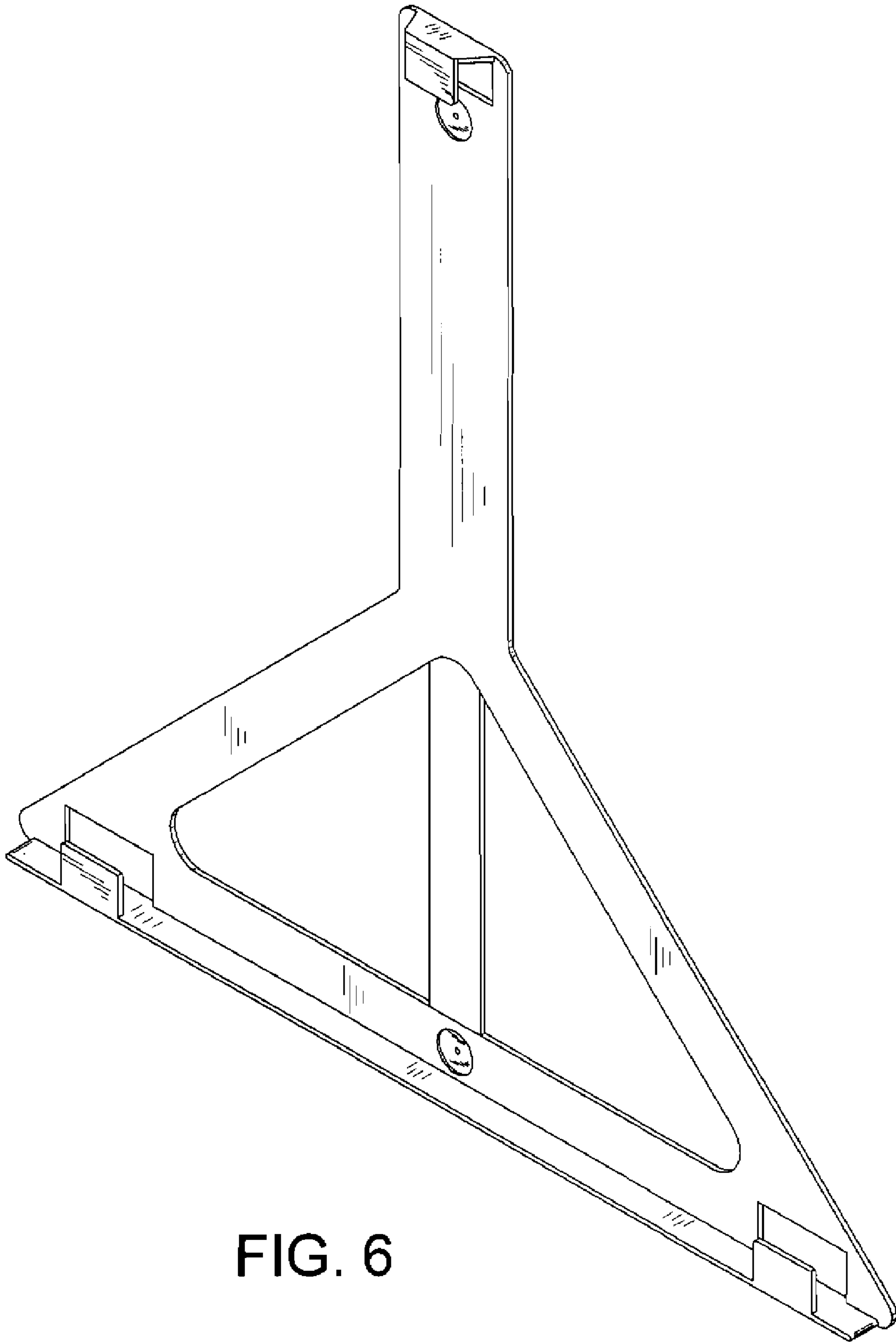


FIG. 6