



US00D572764S

(12) **United States Design Patent**  
**Phan**

(10) **Patent No.:** **US D572,764 S**

(45) **Date of Patent:** **\*\* Jul. 8, 2008**

(54) **GAS PUMP TOPPER**

(75) Inventor: **Minh Phan**, Costa Mesa, CA (US)

(73) Assignee: **AdtekMedia**, Irvine, CA (US)

(\*\*) Term: **14 Years**

(21) Appl. No.: **29/266,872**

(22) Filed: **Sep. 29, 2006**

(51) **LOC (8) Cl.** ..... **20-02**

(52) **U.S. Cl.** ..... **D20/10**

(58) **Field of Classification Search** ..... D20/10,  
D20/19, 39, 41-43, 99; 40/553, 560, 564,  
40/572, 584, 589-592, 606.19, 609, 642.02,  
40/643; 283/56, 81; D14/126, 336, 371,  
D14/374; D19/90; 428/475.1; 141/94  
See application file for complete search history.

(56) **References Cited**

**U.S. PATENT DOCUMENTS**

- 3,516,187 A \* 6/1970 Espinosa ..... 40/553
- 3,685,184 A \* 8/1972 Snyder, Jr. .... 40/609
- 4,592,530 A \* 6/1986 Seely et al. .... 248/475.1

- D313,431 S \* 1/1991 Jaskiel et al. .... D20/10
- D314,983 S \* 2/1991 Cangiani et al. .... D20/10
- D357,704 S \* 4/1995 Wolff ..... D19/90
- D359,727 S \* 6/1995 Wilson ..... D14/336
- D367,676 S \* 3/1996 Ortiz ..... D20/10
- D458,969 S \* 6/2002 Lakin ..... D20/10
- D523,484 S \* 6/2006 Lovett et al. .... D20/10
- D524,378 S \* 7/2006 Salcido ..... D20/10
- 7,257,915 B1 \* 8/2007 Lovett et al. .... 40/609
- 2007/0221288 A1 \* 9/2007 Olesen et al. .... 141/94

\* cited by examiner

*Primary Examiner*—Caron D. Veynar

*Assistant Examiner*—Mary Ann Calabrese

(74) *Attorney, Agent, or Firm*—Walter A. Hackler

(57) **CLAIM**

The ornamental design for gas pump topper, as shown and described.

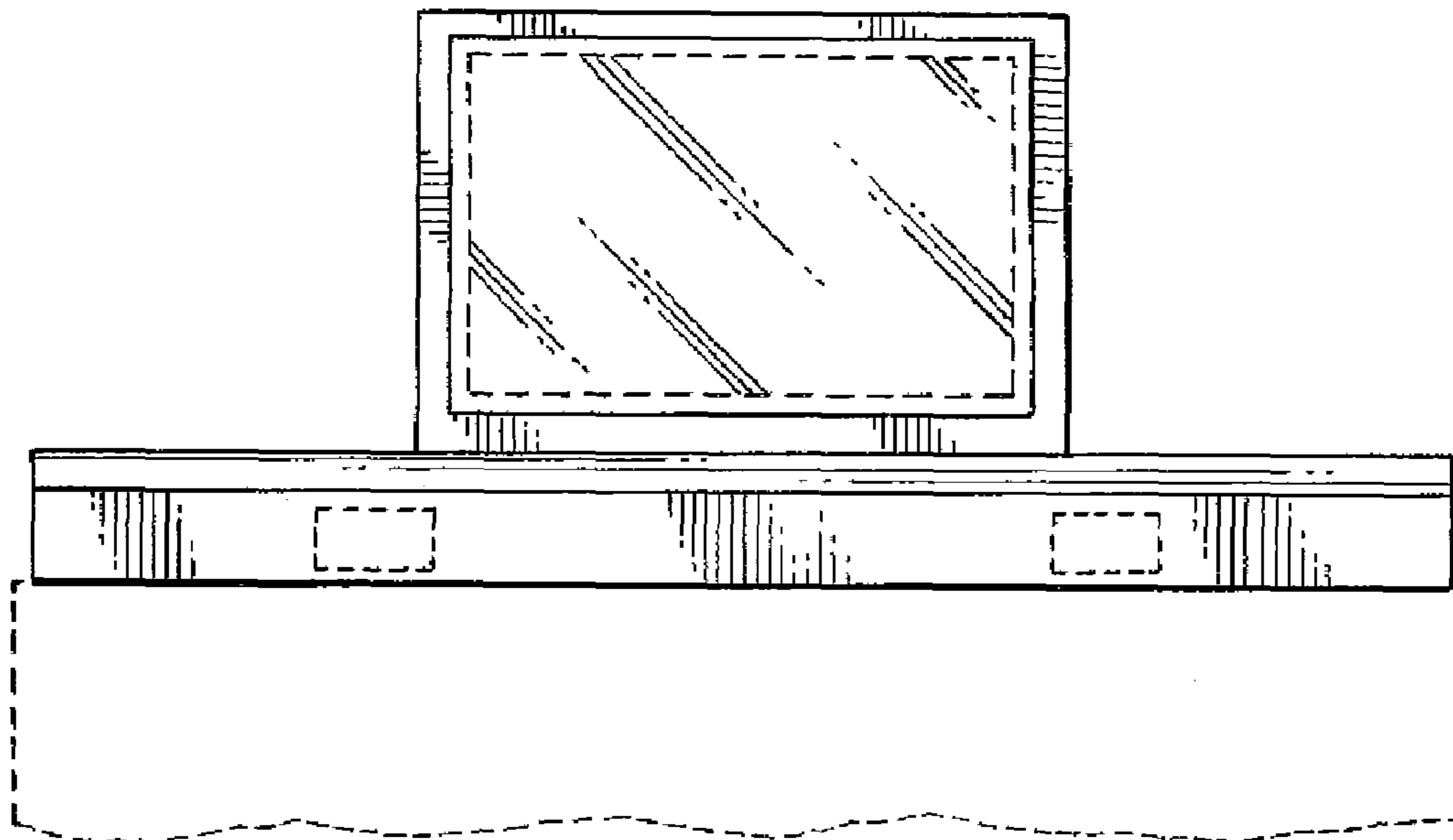
**DESCRIPTION**

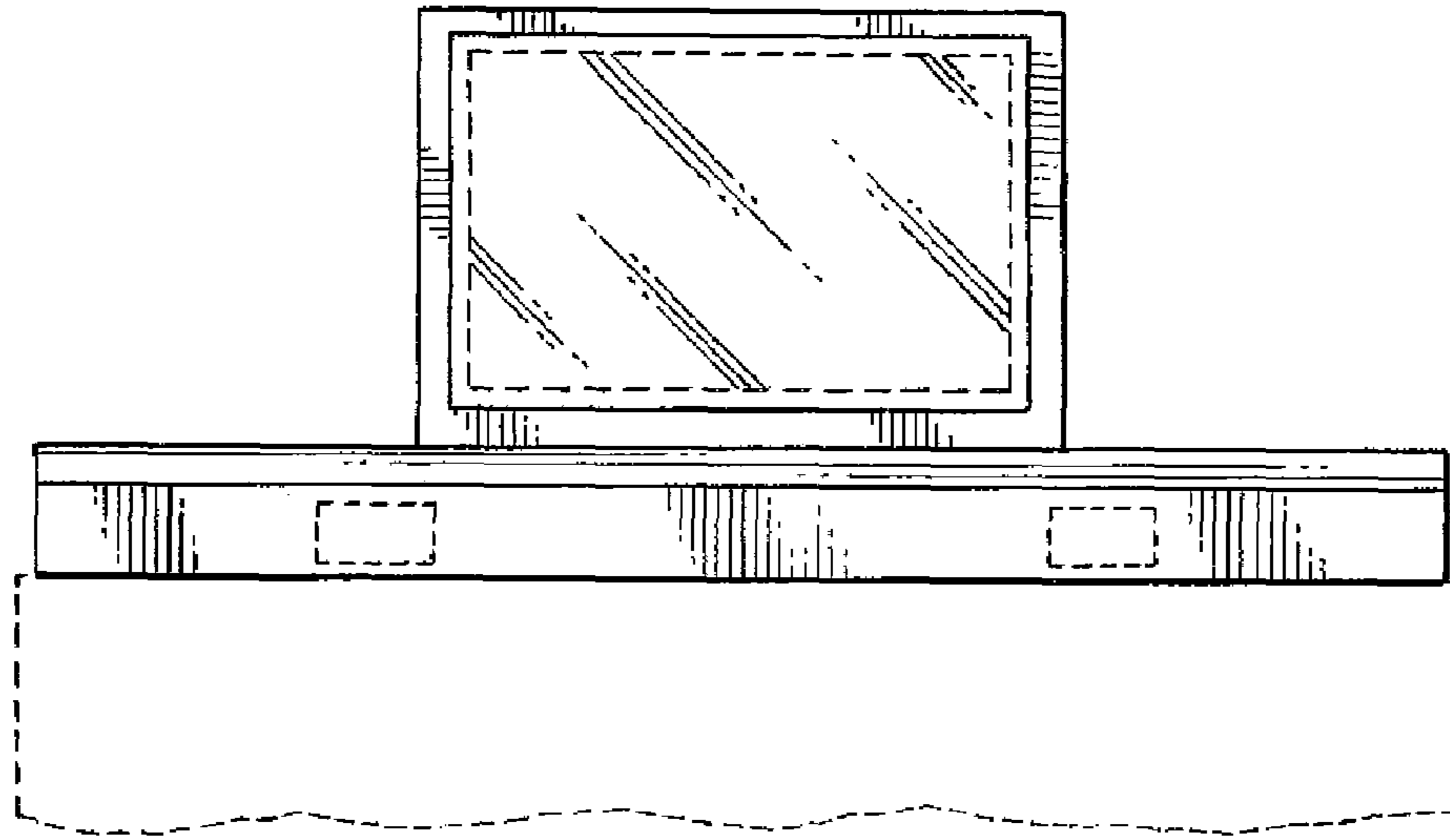
FIG. 1 is a front view of the present invention; and,

FIG. 2 is a side elevation view of the present invention.

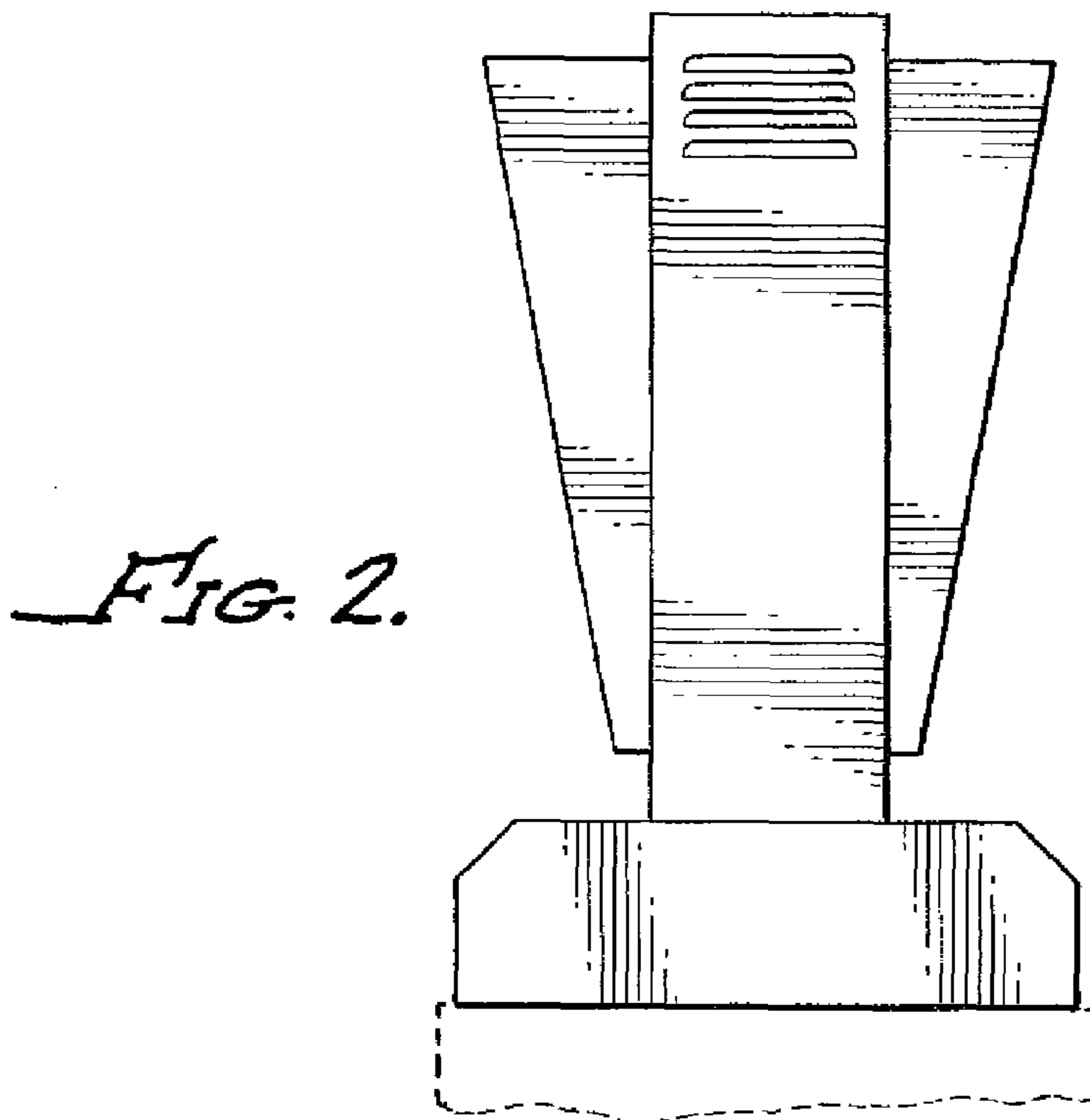
Broken lines in the Figures represents elements not claimed.

**1 Claim, 1 Drawing Sheet**





*FIG. 1.*



*FIG. 2.*