



US00D572756S

(12) **United States Design Patent**
Oka

(10) **Patent No.:** **US D572,756 S**

(45) **Date of Patent:** **** Jul. 8, 2008**

(54) **MECHANICAL PENCIL**

(75) Inventor: **Shigeo Oka**, Tokyo (JP)

(73) Assignee: **Pentel Kabushiki Kaisha** (JP)

(**) Term: **14 Years**

(21) Appl. No.: **29/272,625**

(22) Filed: **Feb. 13, 2007**

(30) **Foreign Application Priority Data**

Aug. 22, 2006 (JP) 2006-022181

(51) **LOC (8) Cl.** **19-06**

(52) **U.S. Cl.** **D19/47**

(58) **Field of Classification Search** D19/35,
D19/36, 41-51, 53-57; 24/11 F, 11 P, 11 R;
401/52, 99, 100, 104-109, 192, 195, 196
See application file for complete search history.

(56) **References Cited**

U.S. PATENT DOCUMENTS

D304,601 S *	11/1989	Alskog	D19/49
4,964,024 A *	10/1990	Tsay	362/118
D335,145 S *	4/1993	Katami et al.	D19/57
D342,279 S *	12/1993	Anavil et al.	D19/49
D430,608 S *	9/2000	Krieglstein et al.	D19/54
D441,017 S *	4/2001	Gault et al.	D19/50
6,547,470 B2 *	4/2003	Legg	401/195

D490,107 S *	5/2004	Wong	D19/50
D490,108 S *	5/2004	Moon	D19/50
D499,139 S *	11/2004	Oka	D19/47
D539,349 S *	3/2007	Katami	D19/51
D540,386 S *	4/2007	Qiu	D19/51

* cited by examiner

Primary Examiner—Elizabeth A Albert

(74) *Attorney, Agent, or Firm*—Adams & Wilks

(57) **CLAIM**

The ornamental design for a mechanical pencil, as shown and described.

DESCRIPTION

FIG. 1 is a perspective view of a mechanical pencil showing my new design;

FIG. 2 is a front view thereof;

FIG. 3 is a bottom view thereof;

FIG. 4 is a left side view thereof;

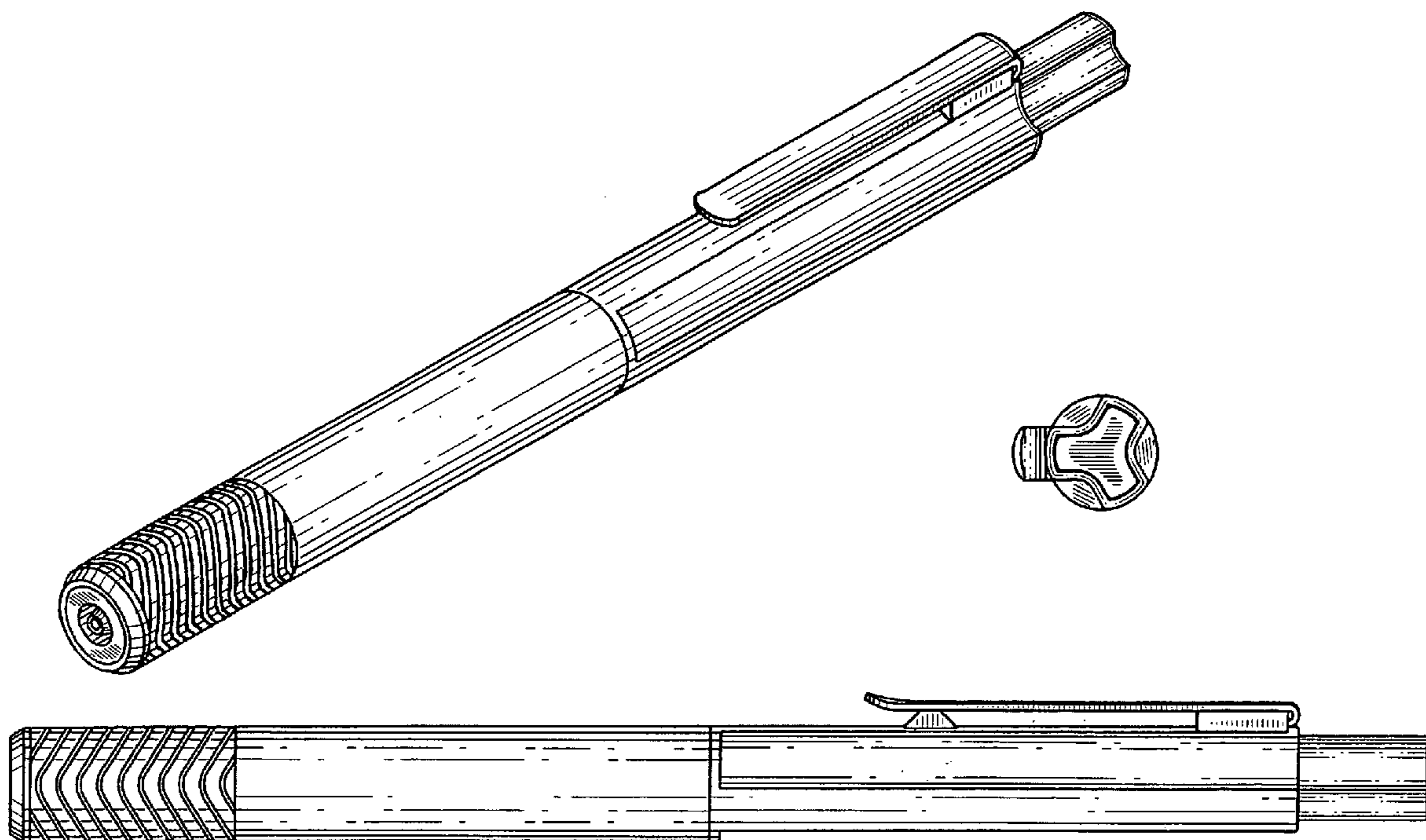
FIG. 5 is a right side view thereof;

FIG. 6 is a rear view thereof;

FIG. 7 is a front view thereof, showing the writing tip projecting from one end; and,

FIG. 8 is another front view thereof with the eraser projecting from that same end.

1 Claim, 4 Drawing Sheets



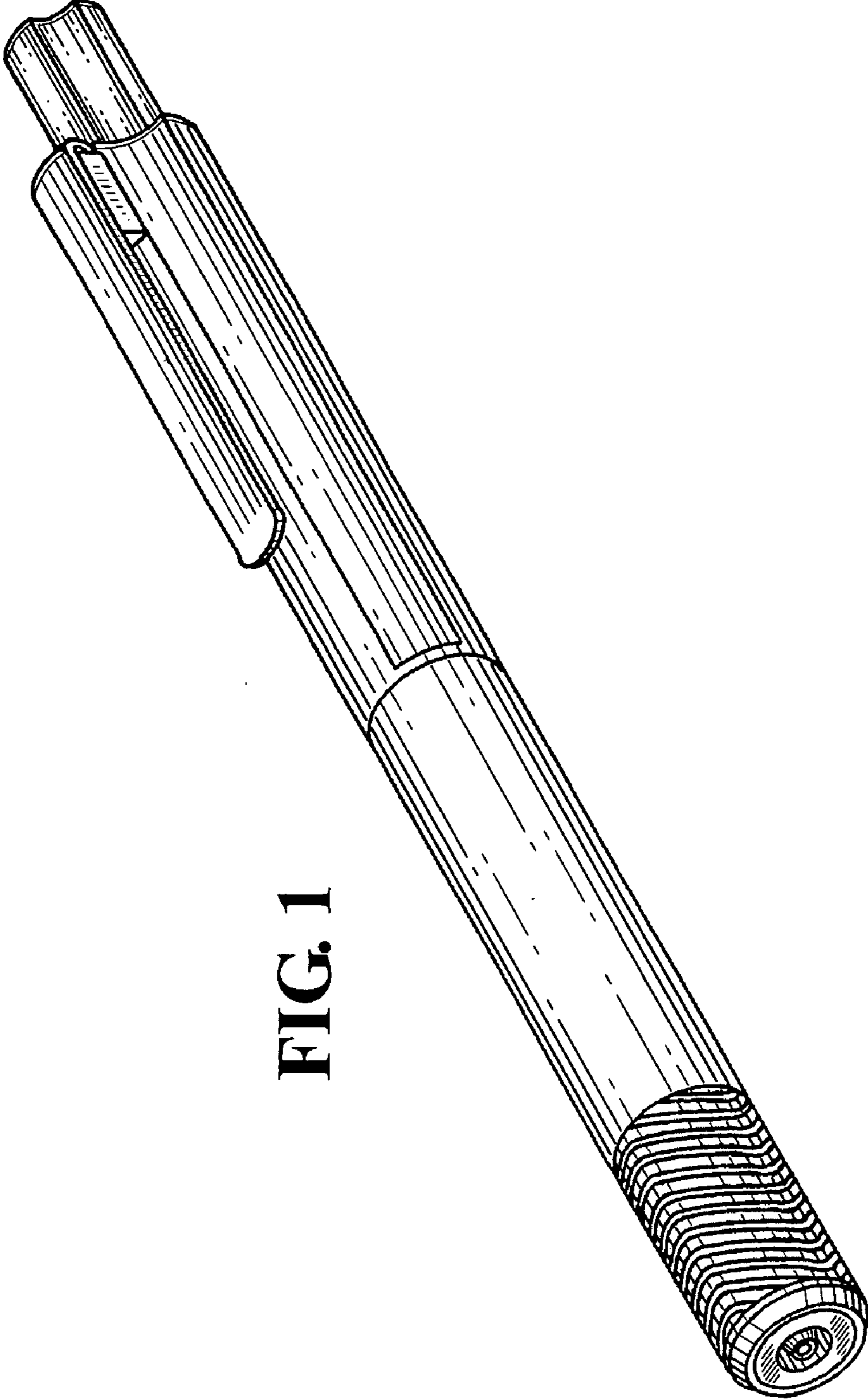


FIG. 1

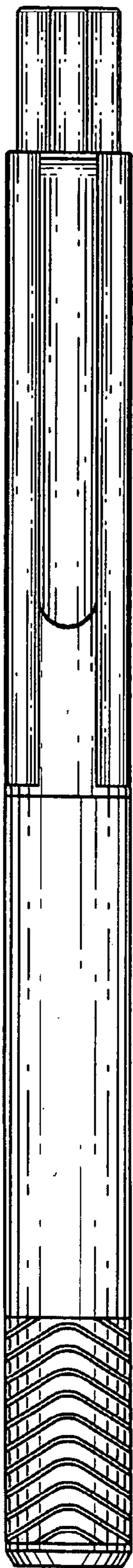


FIG. 2

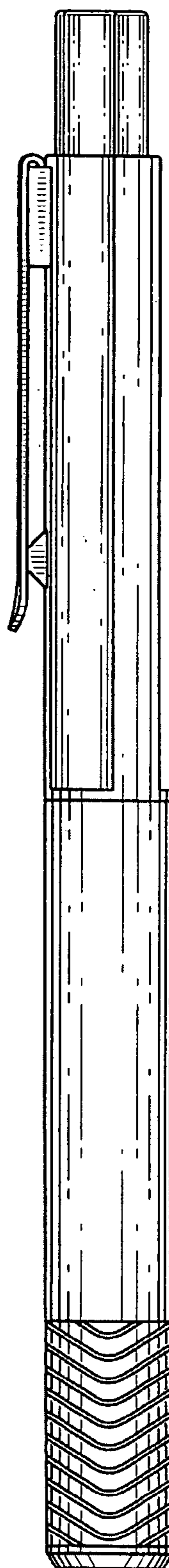


FIG. 3

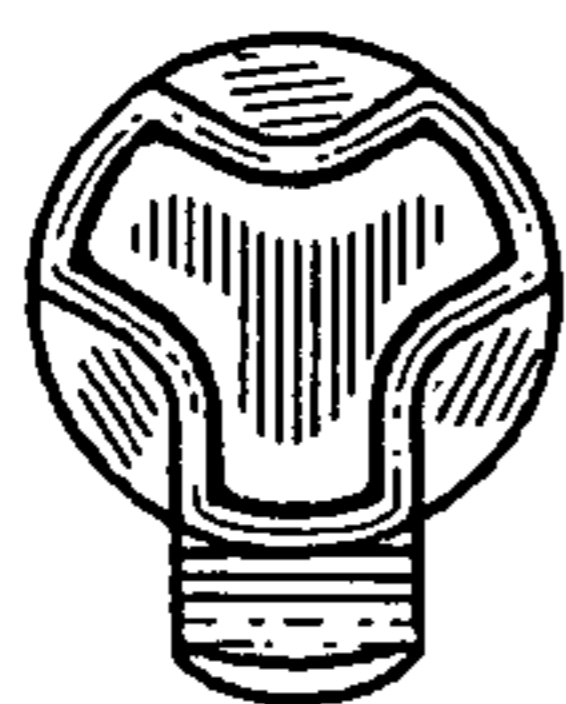


FIG. 5

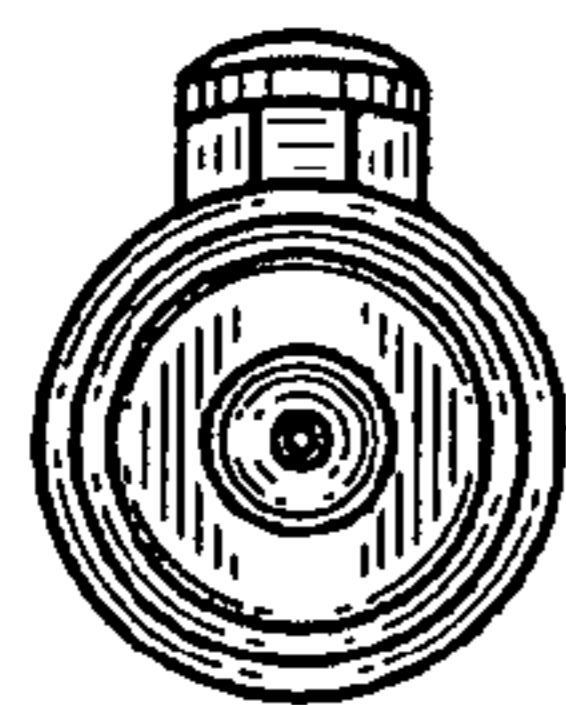


FIG. 4

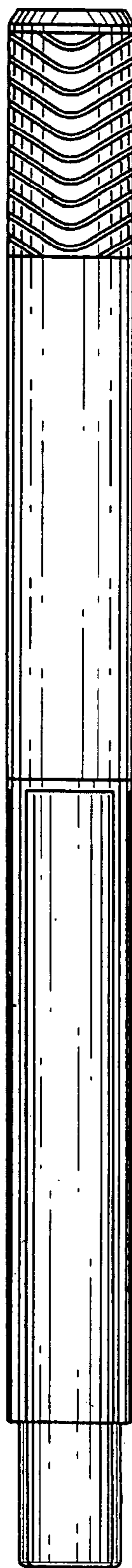


FIG. 6

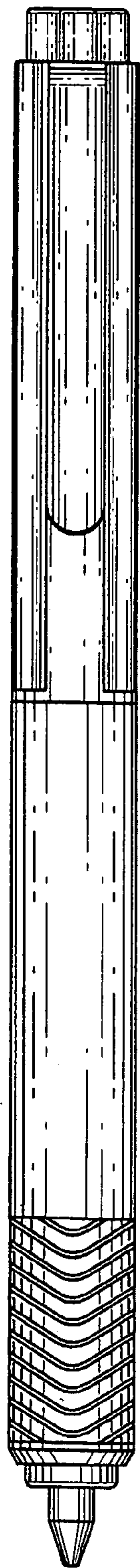


FIG. 7

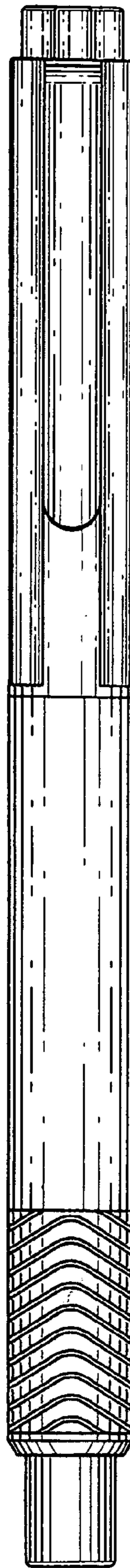


FIG. 8