



US00D572751S

(12) **United States Design Patent**
Morino

(10) **Patent No.:** **US D572,751 S**
(45) **Date of Patent:** **** Jul. 8, 2008**

(54) **INK POUCH OF AN INKJET PRINTER CARTRIDGE**

(75) Inventor: **Tetsu Morino**, Kanagawa (JP)

(73) Assignee: **Ricoh Company, Ltd.**, Tokyo (JP)

(*) Notice: This patent is subject to a terminal disclaimer.

(**) Term: **14 Years**

(21) Appl. No.: **29/261,319**

(22) Filed: **Jun. 13, 2006**

(30) **Foreign Application Priority Data**

Dec. 13, 2005 (JP) 2005-036709

(51) **LOC (8) Cl.** **18-02**

(52) **U.S. Cl.** **D18/56**

(58) **Field of Classification Search** D18/40,
D18/43, 56; 347/33, 49, 50, 85-87
See application file for complete search history.

(56) **References Cited**

U.S. PATENT DOCUMENTS

4,669,124 A * 5/1987 Kimura 383/80
D341,157 S * 11/1993 Kitahara et al. D18/56
5,691,755 A * 11/1997 Pawlowski et al. 347/86
6,220,702 B1 * 4/2001 Nakamura et al. 347/86

D451,542 S * 12/2001 Ishizawa et al. D18/56
6,848,775 B2 * 2/2005 Ishizawa et al. 347/86
D509,242 S * 9/2005 Muranaka D18/56
D513,417 S * 1/2006 Ishizawa et al. D18/56
D523,899 S * 6/2006 Holland et al. D18/56
D544,909 S * 6/2007 Muranaka D18/56
D546,876 S * 7/2007 Muranaka D18/56
2004/0218021 A1 * 11/2004 Ishizawa et al. 347/85
2007/0176986 A1 * 8/2007 Tsuyuki et al. 347/85

* cited by examiner

Primary Examiner—Cathy Anne MacCormac

Assistant Examiner—Anna K Dworzecka

(74) *Attorney, Agent, or Firm*—Dickstein Shapiro LLP

(57) **CLAIM**

The ornamental design for an ink pouch of an inkjet printer cartridge, as shown and described.

DESCRIPTION

FIG. 1 is a front elevation of an ink pouch of an inkjet printer cartridge according to the present invention;

FIG. 2 is a rear elevation thereof;

FIG. 3 is a top plan view thereof;

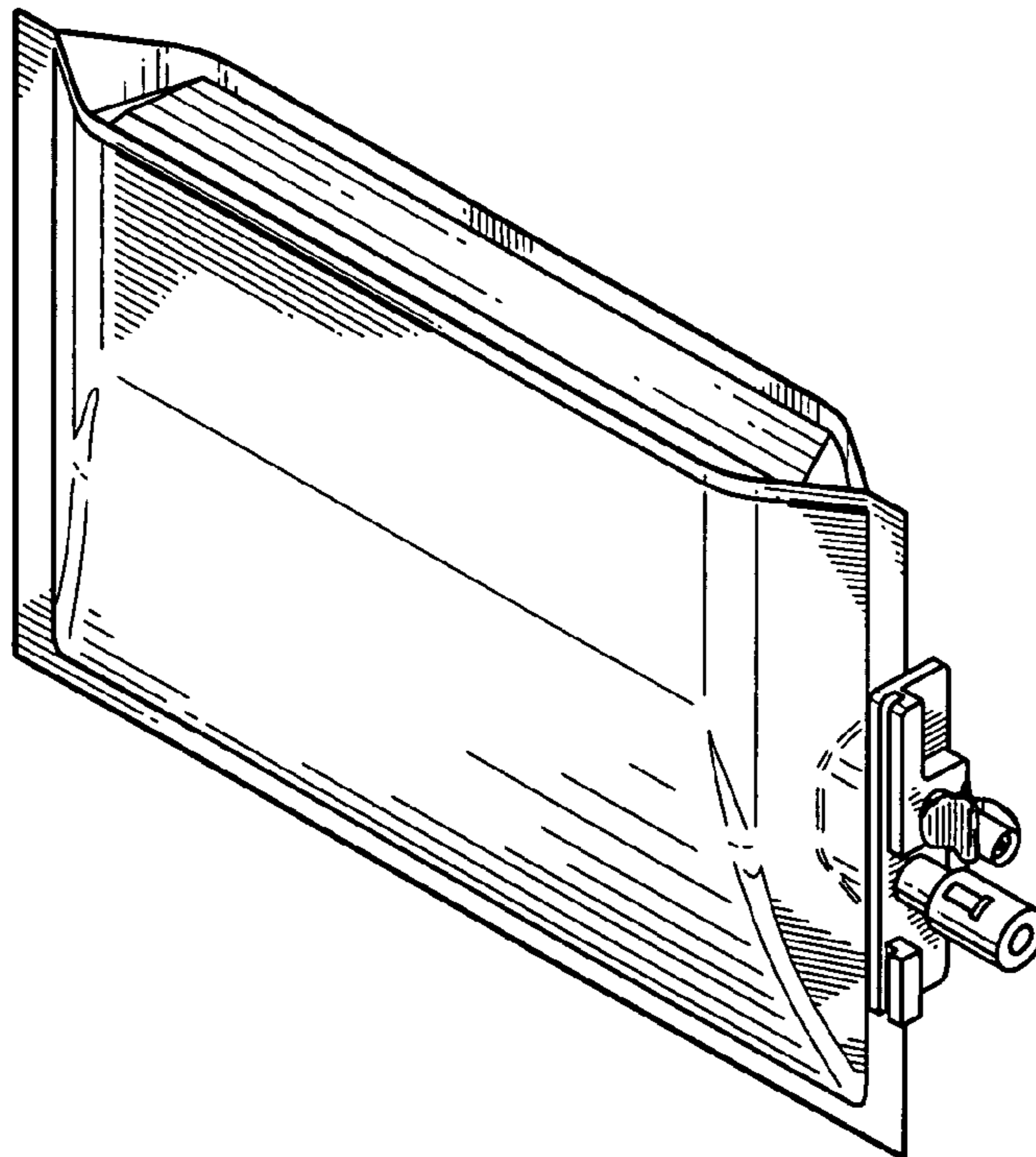
FIG. 4 is a bottom plan view thereof;

FIG. 5 is a right side elevation thereof;

FIG. 6 is a left side elevation thereof; and,

FIG. 7 is a top, rear and left side perspective view thereof.

1 Claim, 3 Drawing Sheets



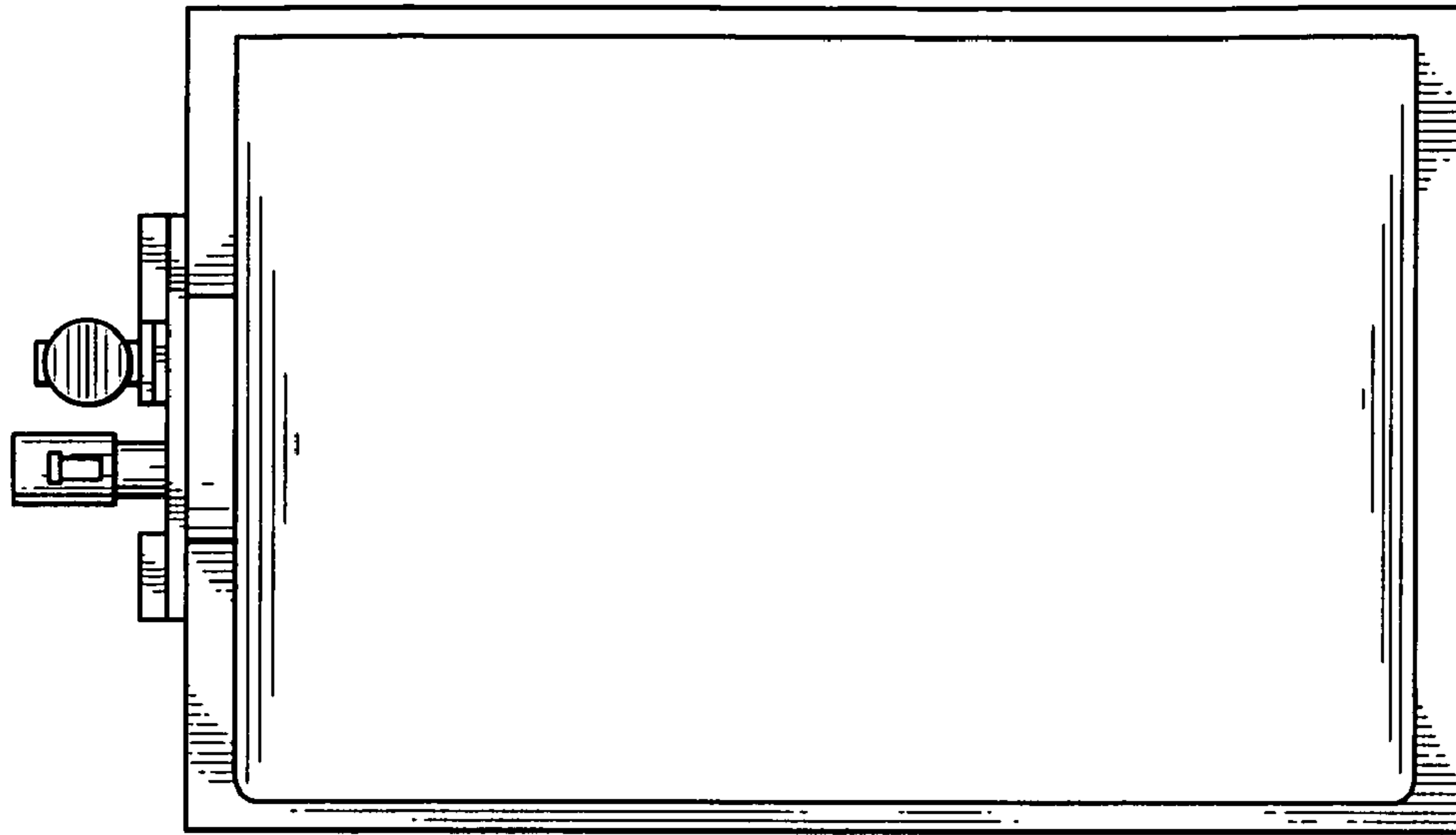


FIG. 1

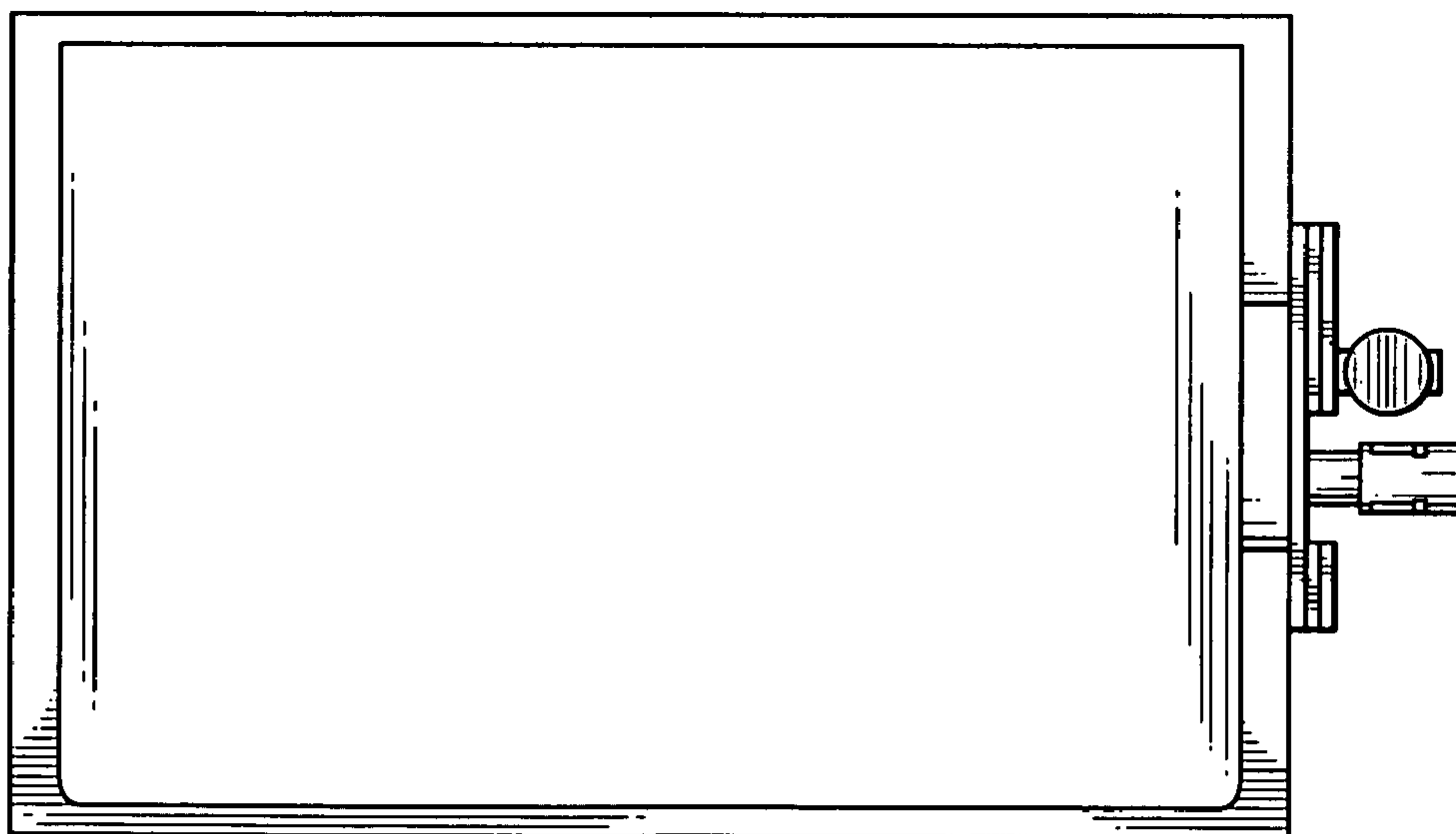


FIG. 2

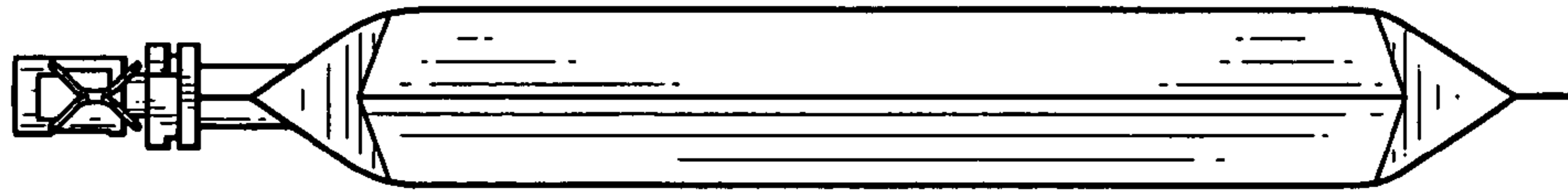


FIG. 3

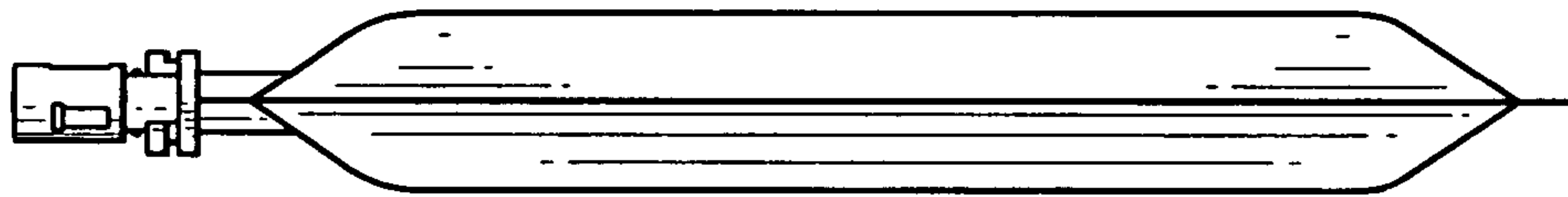


FIG. 4

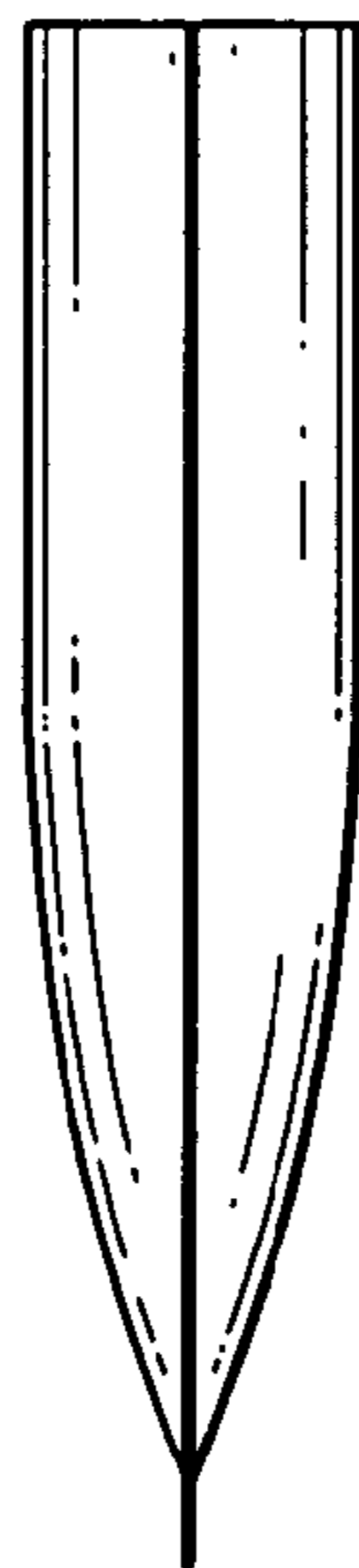


FIG. 5

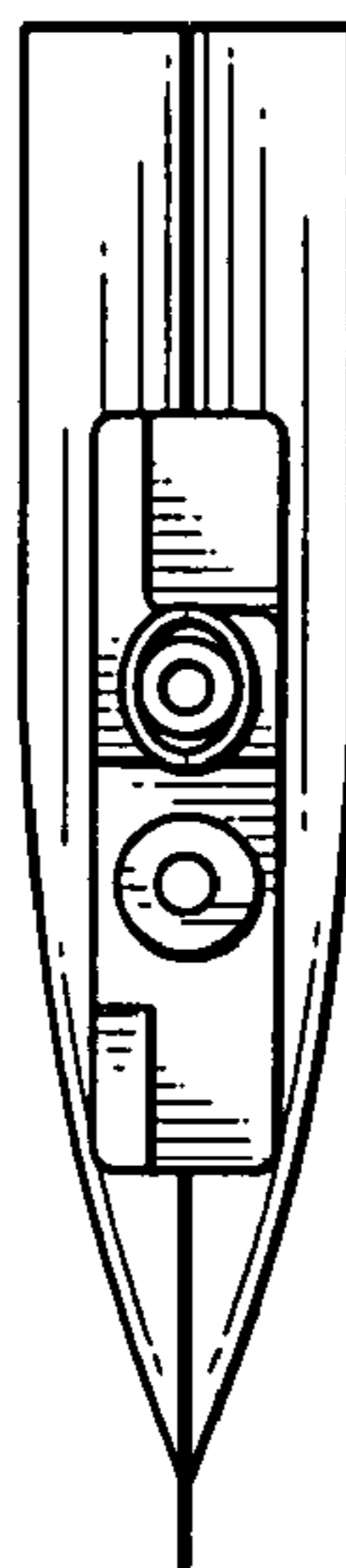


FIG. 6

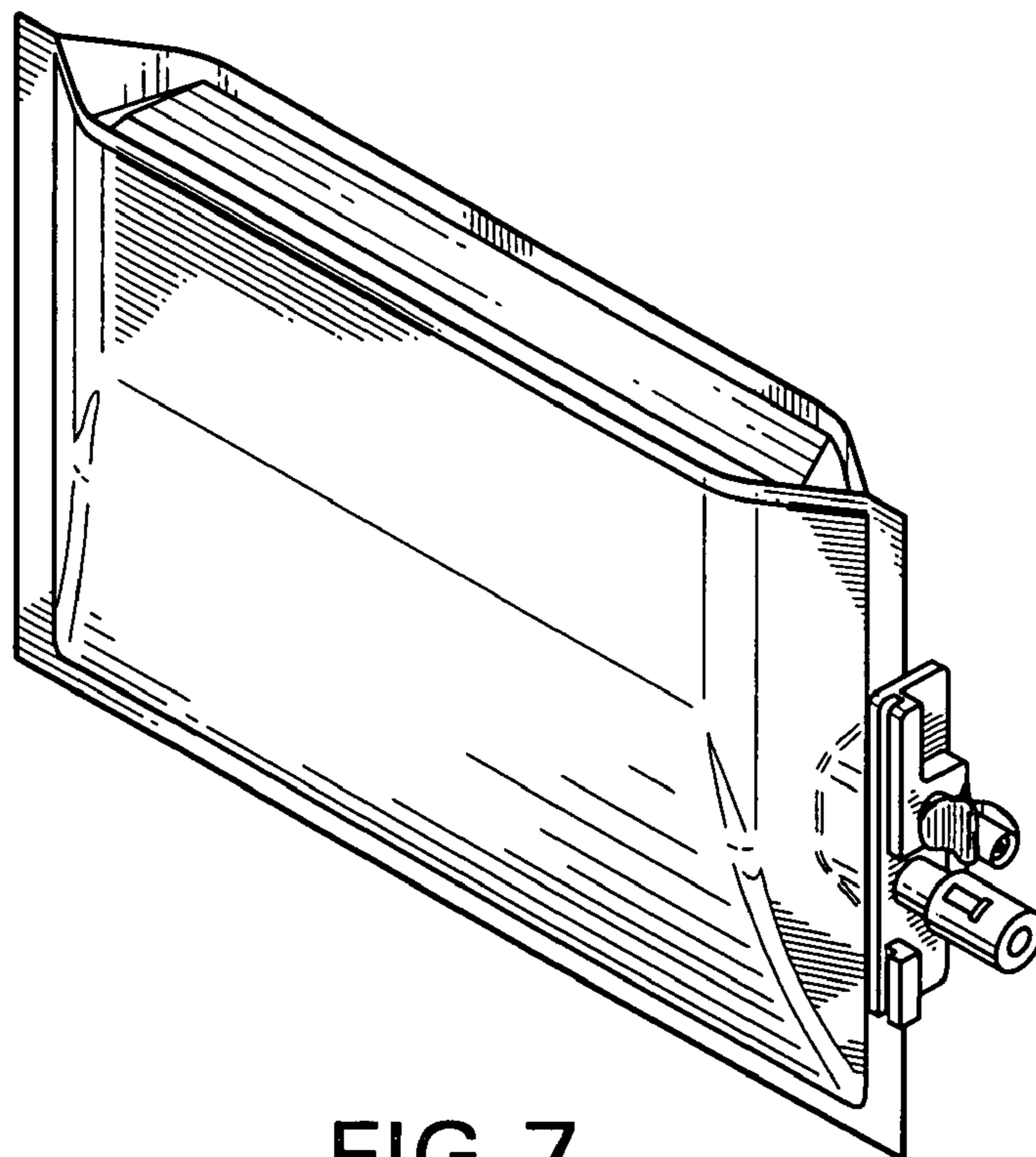


FIG. 7