



US00D572750S

(12) **United States Design Patent**
Stok et al.

(10) **Patent No.:** **US D572,750 S**
(45) **Date of Patent:** **** Jul. 8, 2008**

(54) **PRINTER**

(75) Inventors: **Estella Stok**, Eindhoven (NL); **Anne A. Wind**, Eindhoven (NL)

(73) Assignee: **Océ-Technologies B.V.**, Venlo (NL)

(**) Term: **14 Years**

(21) Appl. No.: **29/270,517**

(22) Filed: **Dec. 27, 2006**

(30) **Foreign Application Priority Data**

Jun. 26, 2006 (EM) 000552591-0001
Jun. 29, 2006 (EM) 000552591-0002

(51) **LOC (8) Cl.** **18-02**

(52) **U.S. Cl.** **D18/50**

(58) **Field of Classification Search** D18/36-39,
D18/50, 54, 54.1, 55; D14/420-425, 462-470,
D14/364; 400/613, 613.1-613.4, 690.1-690.4,
400/691-694

See application file for complete search history.

(56) **References Cited**

U.S. PATENT DOCUMENTS

D363,924 S * 11/1995 Ueda et al. D14/422
D404,022 S * 1/1999 Isomoto D14/425
D411,184 S * 6/1999 Izawa et al. D14/364
D422,629 S * 4/2000 Isomoto D18/46
D424,042 S * 5/2000 Massieu et al. D14/420
D450,750 S * 11/2001 Sasaki D18/39

D450,751 S * 11/2001 Shiozaki D18/39
D478,594 S * 8/2003 Ichiyoshi et al. D14/422
D523,070 S * 6/2006 Schneider D18/50
7,230,822 B2 * 6/2007 Langberg et al. 400/692

* cited by examiner

Primary Examiner—Cathy Anne MacCormac

(74) *Attorney, Agent, or Firm*—Birch, Stewart, Kolasch & Birch, LLP

(57) **CLAIM**

The ornamental design for a printer, as shown and described.

DESCRIPTION

FIG. 1 is a top, front, right perspective view of a printer showing our new design;

FIG. 2 is a top, front perspective view thereof; and,

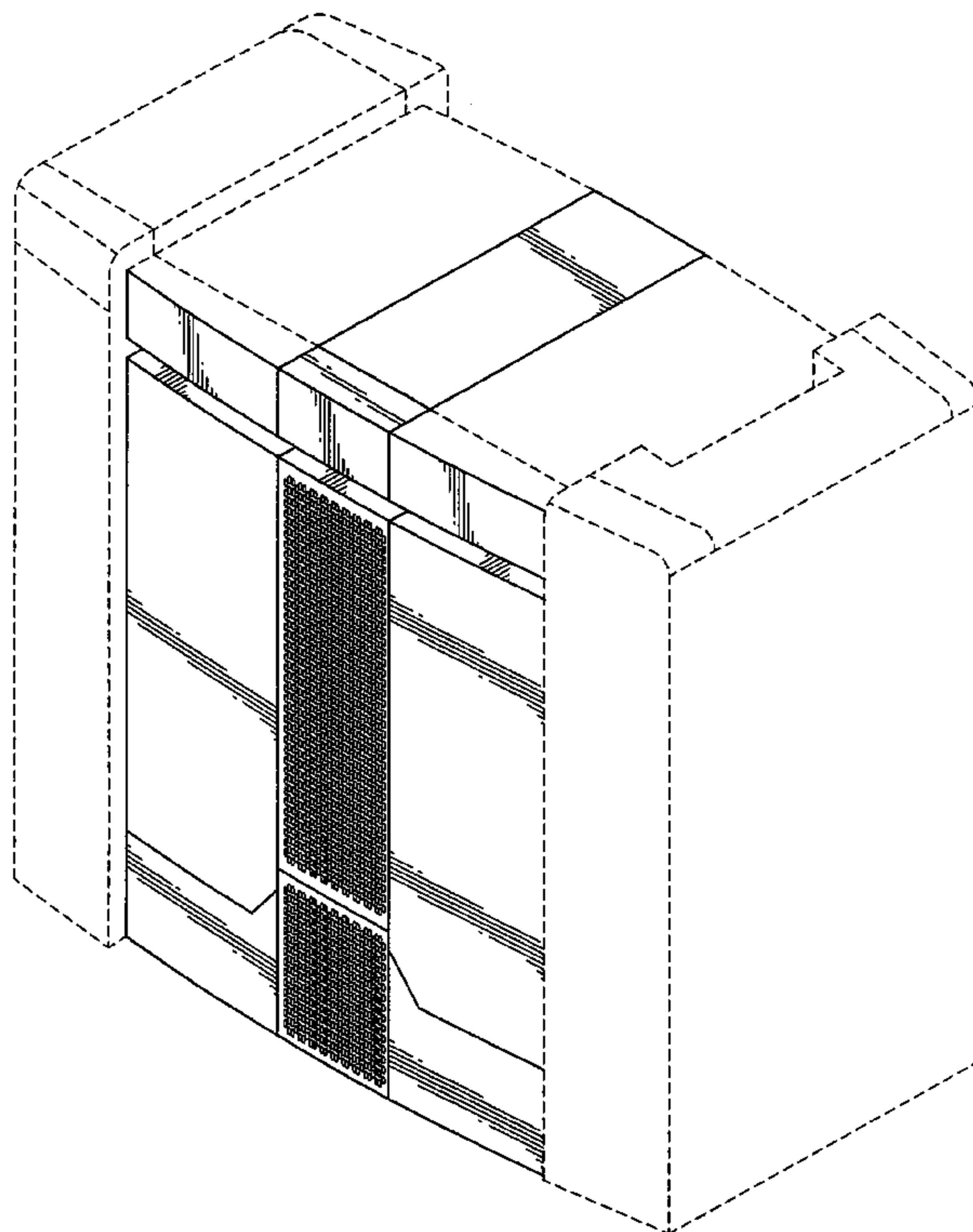
FIG. 3 is a reduced top, front perspective view thereof, including the environment in which our new design is used.

It should be noted that the central ornamental plate in the front of our printer has holes punched therethrough.

The rear, bottom and left and right side views are unornamented and therefore unclaimed.

The line dot line type of broken lines on the center of reduced FIG. 3 represents the claimed design and it should be understood that the claimed design seen on FIGS. 1 and 2 is identical and continuous over the area in FIG. 3. The evenly spaced broken lines on FIGS. 1-3 are for environmental purpose only and form no part of the claimed design.

1 Claim, 3 Drawing Sheets



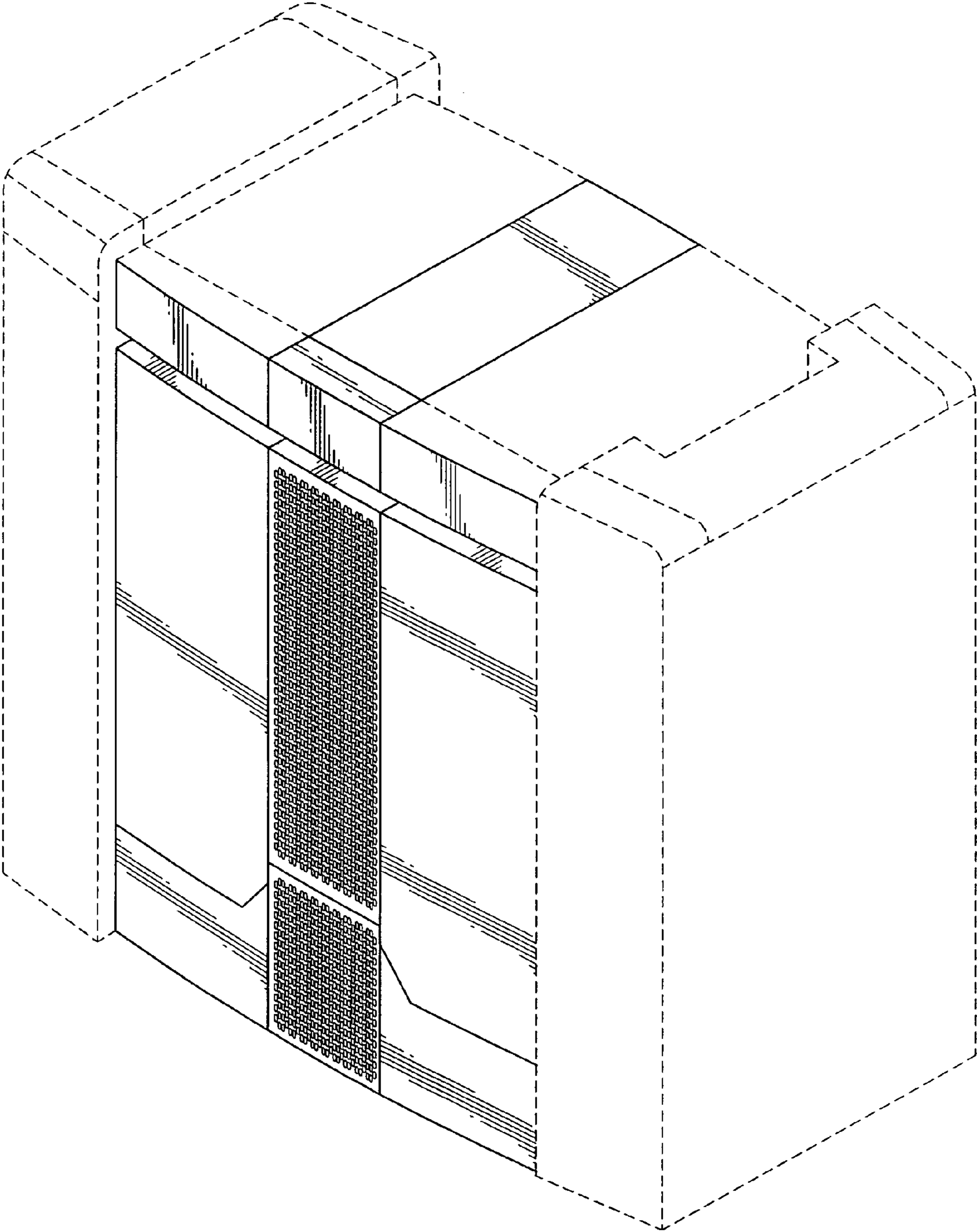


FIG.1

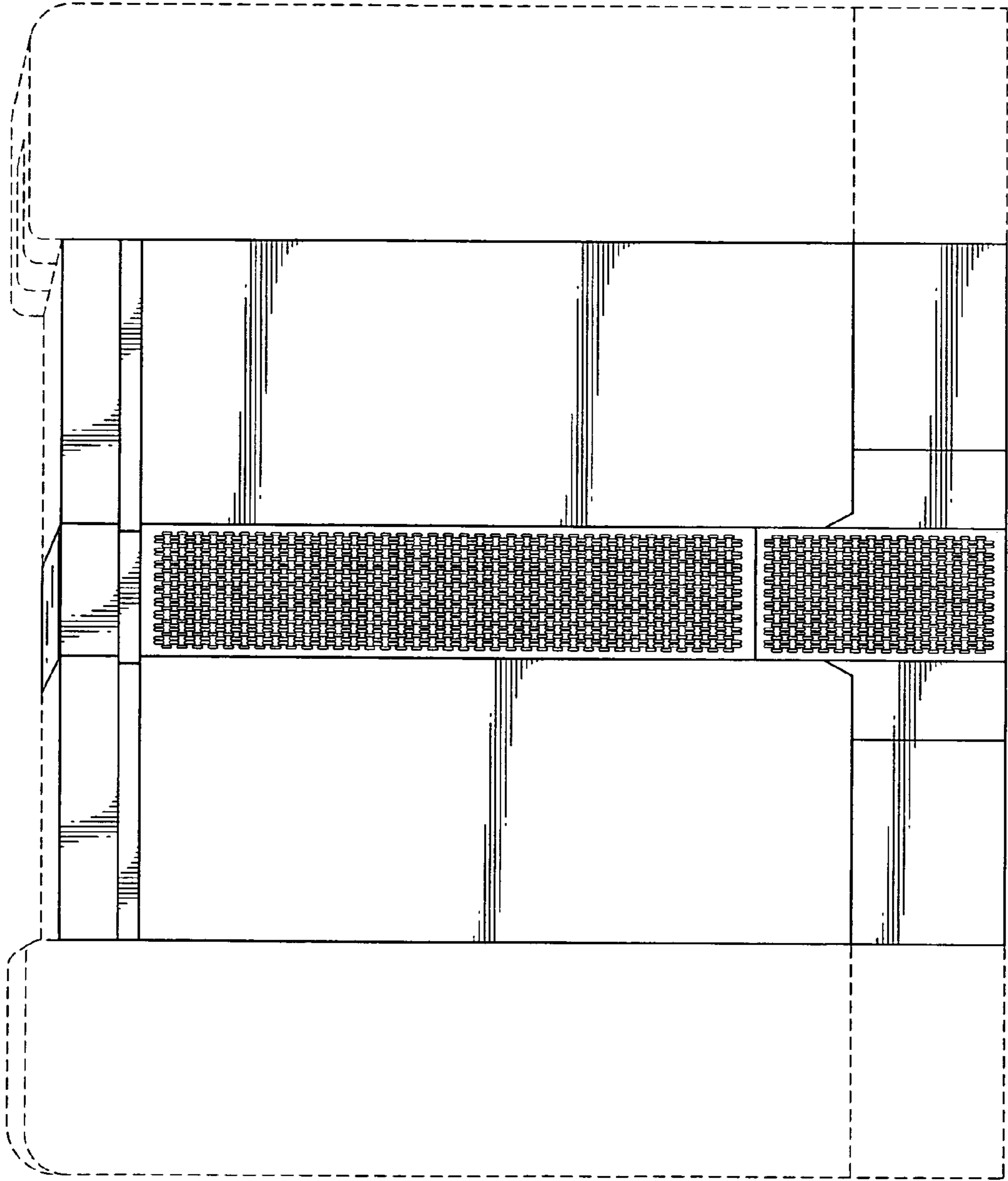


FIG. 2

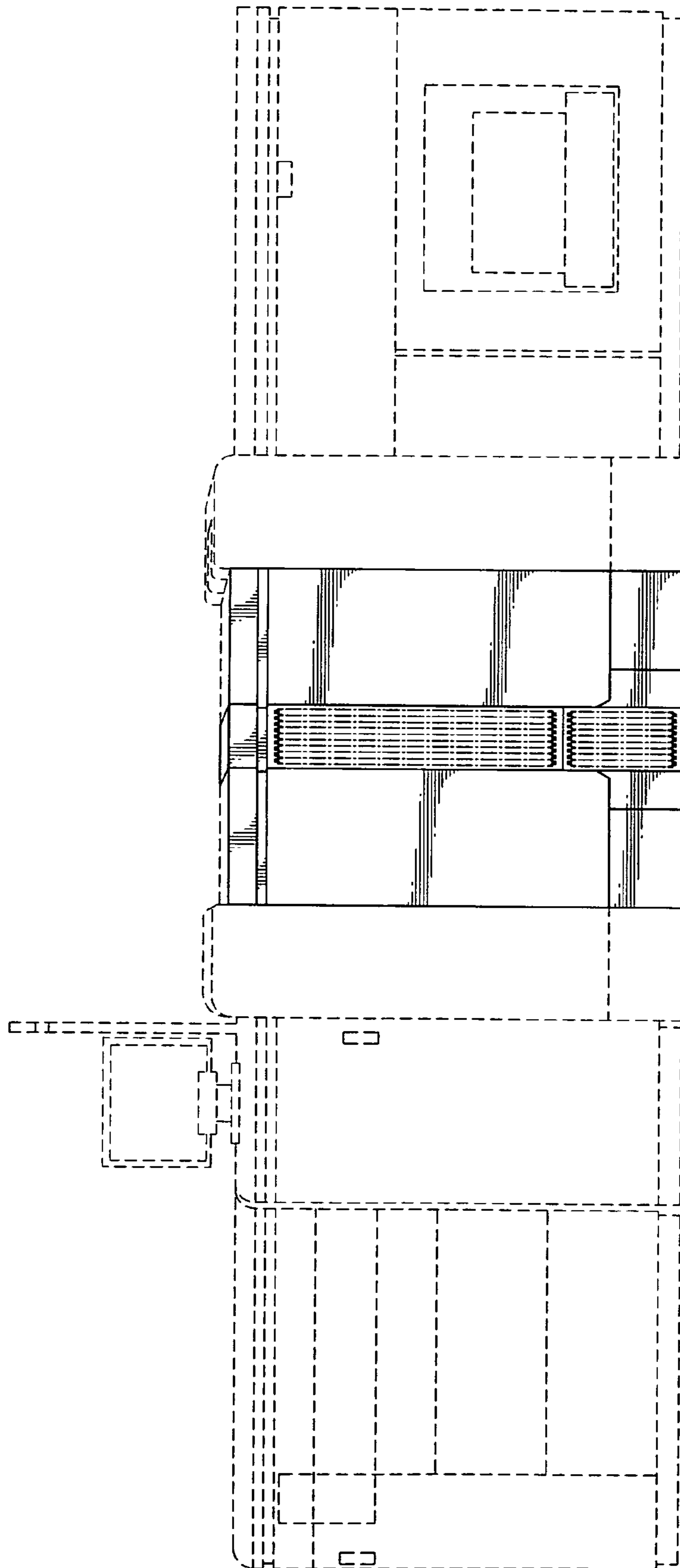


FIG. 3