



US00D572744S

(12) **United States Design Patent**
Fujita et al.

(10) **Patent No.:** **US D572,744 S**
(45) **Date of Patent:** **** Jul. 8, 2008**

(54) **PROJECTOR**

(75) Inventors: **Kiyotaka Fujita**, Tokyo (JP); **Toshiyuki Yamaguchi**, Tokyo (JP); **Cheng-Yu Lin**, Taipei (TW)

(73) Assignee: **NEC Display Solutions, Ltd.**, Tokyo (JP)

(**) Term: **14 Years**

(21) Appl. No.: **29/285,373**

(22) Filed: **Mar. 28, 2007**

(30) **Foreign Application Priority Data**

Sep. 29, 2006 (JP) 2006-026495

(51) **LOC (8) Cl.** **16-02**

(52) **U.S. Cl.** **D16/231; D16/225**

(58) **Field of Classification Search** D16/205, D16/208, 221, 225, 229, 230–232, 234–235; D21/514; 353/115, 119, 122; 352/242–243
See application file for complete search history.

(56) **References Cited**

U.S. PATENT DOCUMENTS

D429,270 S * 8/2000 Ishibashi et al. D16/231
D449,060 S * 10/2001 Saeki et al. D16/230
D470,525 S * 2/2003 Nakayama et al. D16/231
6,616,282 B2 * 9/2003 Ozawa 353/119
D498,490 S * 11/2004 Kawasaki et al. D16/231
D510,098 S * 9/2005 Ishikawa et al. D16/231

D523,058 S * 6/2006 On et al. D16/230
D544,898 S * 6/2007 Kawabe et al. D16/230
D545,339 S * 6/2007 Naruki D16/230
D545,861 S * 7/2007 Naruki D16/230
D550,268 S * 9/2007 Naruki D16/230
D551,691 S * 9/2007 Sakamaki et al. D16/230
D552,656 S * 10/2007 Oota et al. D16/230
D555,185 S * 11/2007 Nozue et al. D16/230

* cited by examiner

Primary Examiner—Ian Simmons

Assistant Examiner—Wan Laymon

(74) *Attorney, Agent, or Firm*—Seyfarth Shaw LLP

(57) **CLAIM**

The ornamental design for projector, as shown and described.

DESCRIPTION

FIG. 1 is a front elevational view of projector showing our new design;

FIG. 2 is a rear elevational view thereof;

FIG. 3 is a side elevational view of one side thereof;

FIG. 4 is a side elevational view of the other side thereof;

FIG. 5 is a top plan view thereof;

FIG. 6 is a bottom plan view thereof; and,

FIG. 7 is a perspective view thereof.

The broken lines in FIGS. 4, 6 and 7 are for illustrative purposes only and form no part of the claimed design.

1 Claim, 7 Drawing Sheets

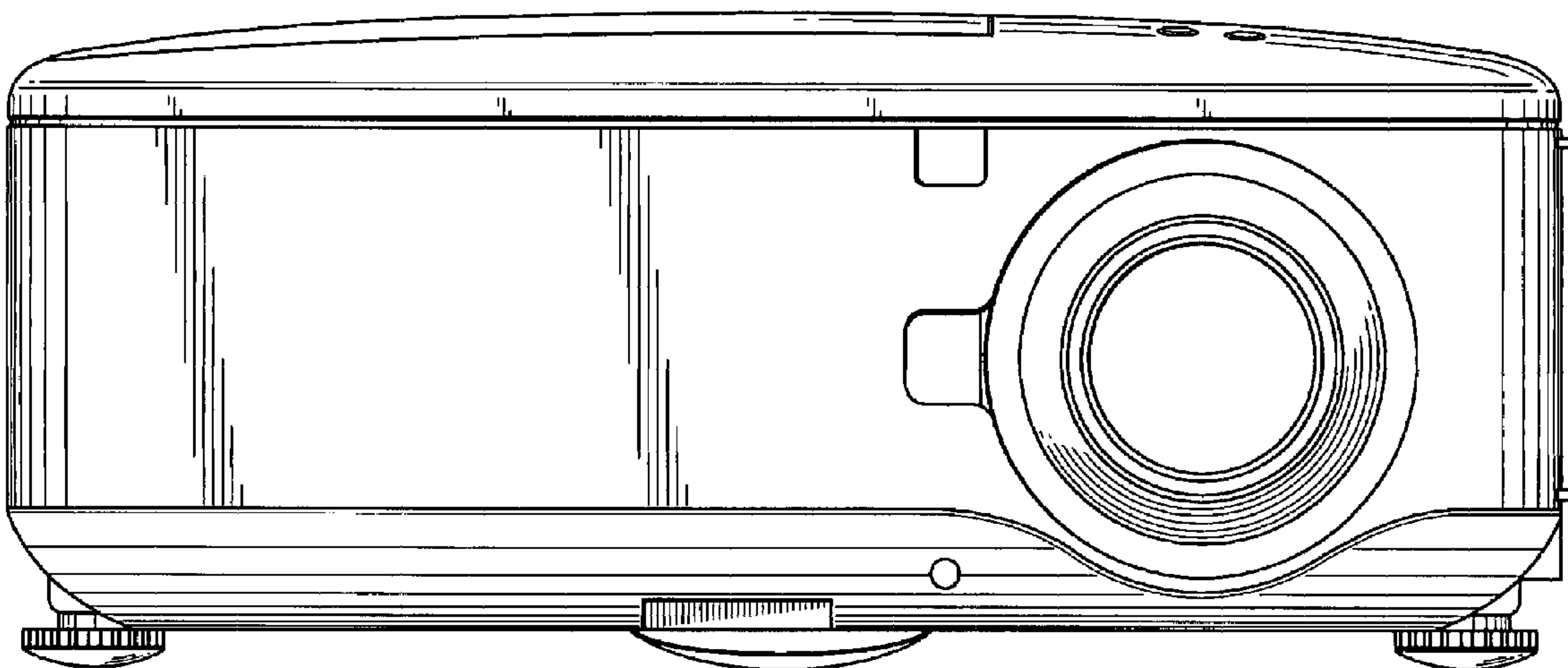


Fig. 1

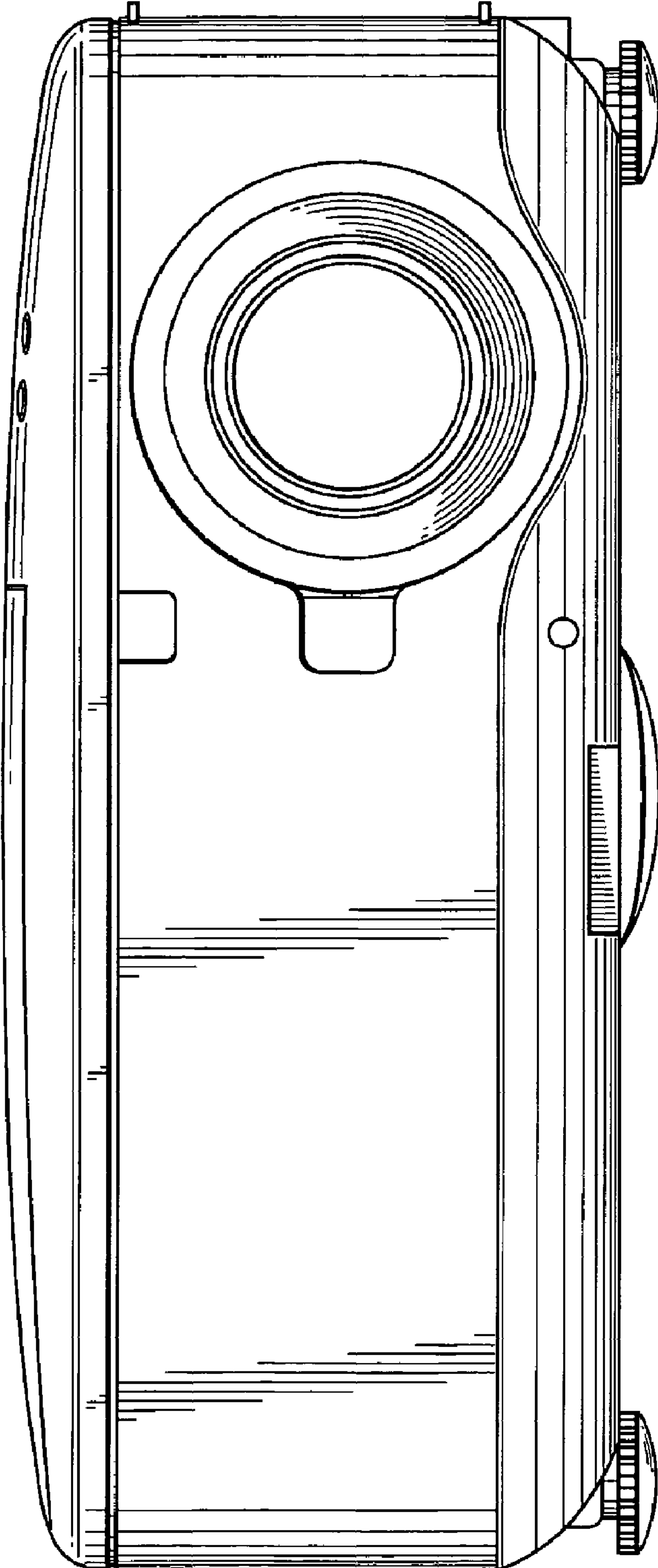


Fig. 2

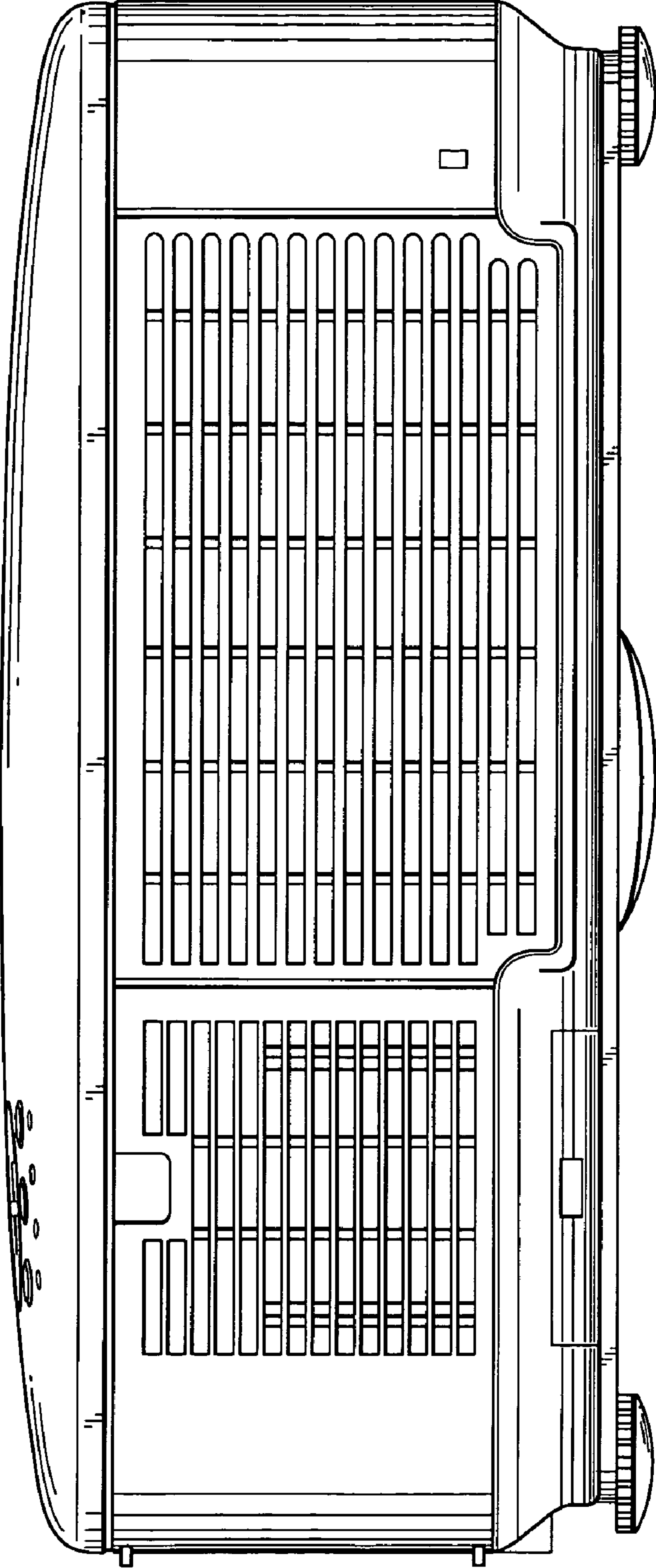


Fig. 3

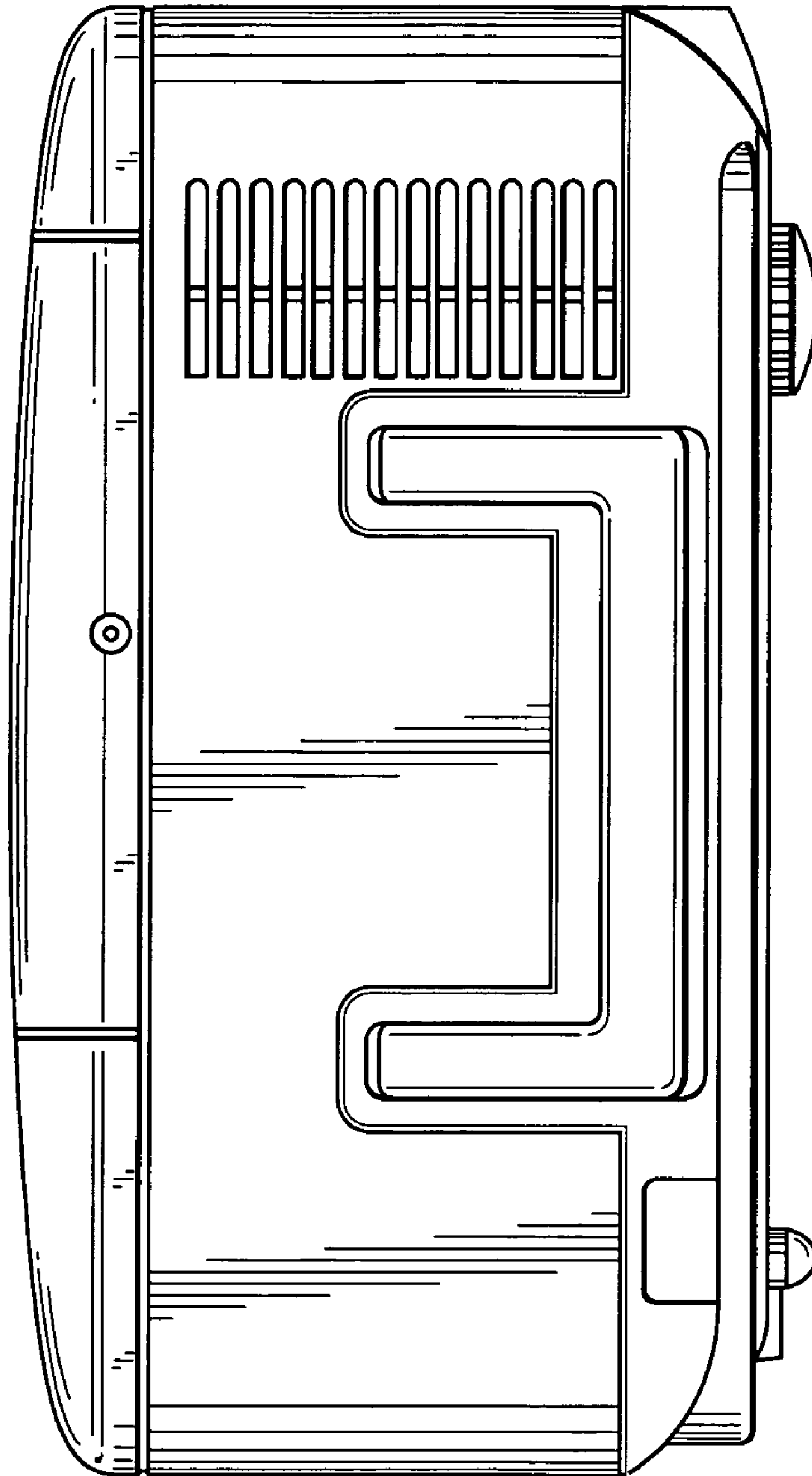
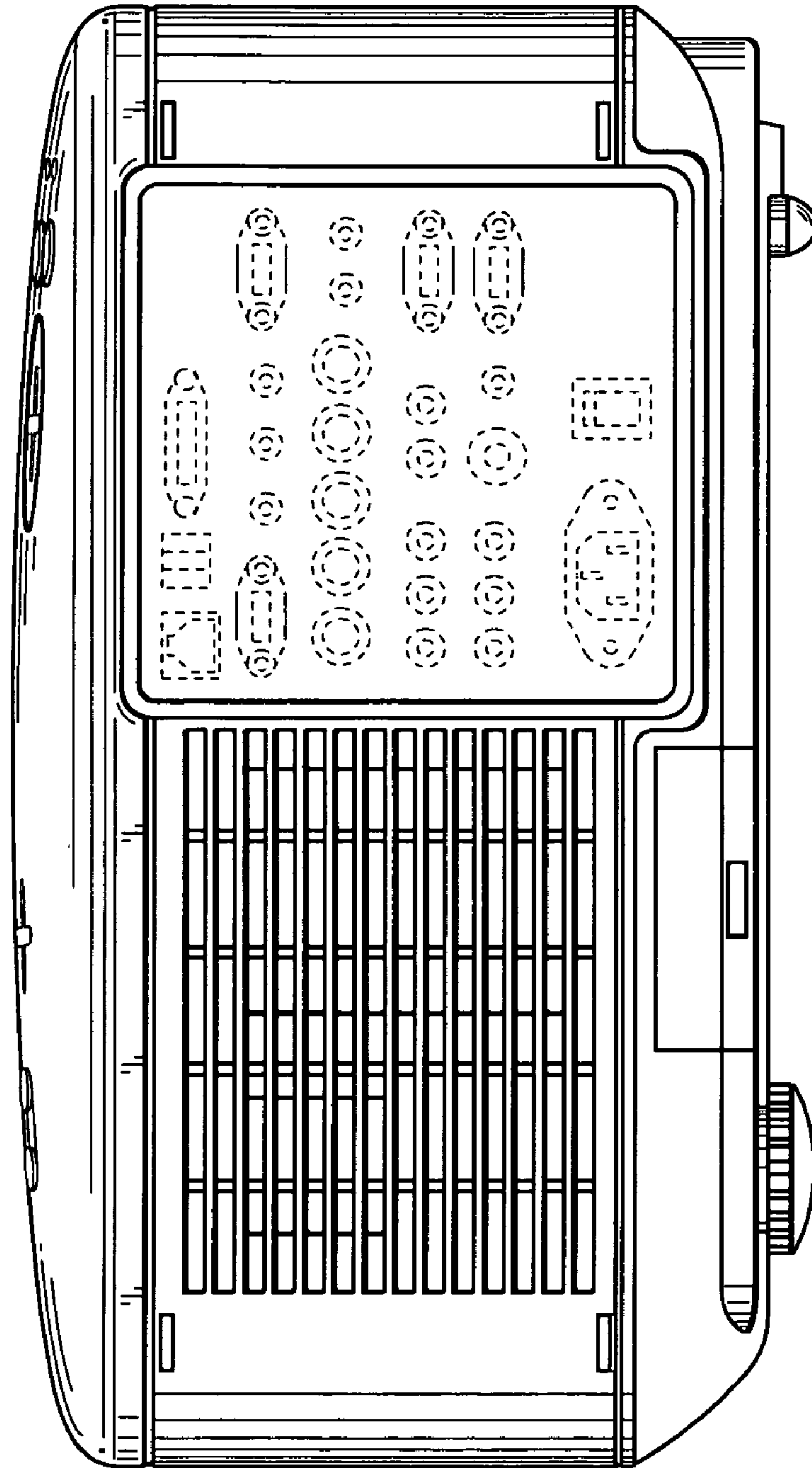


Fig. 4



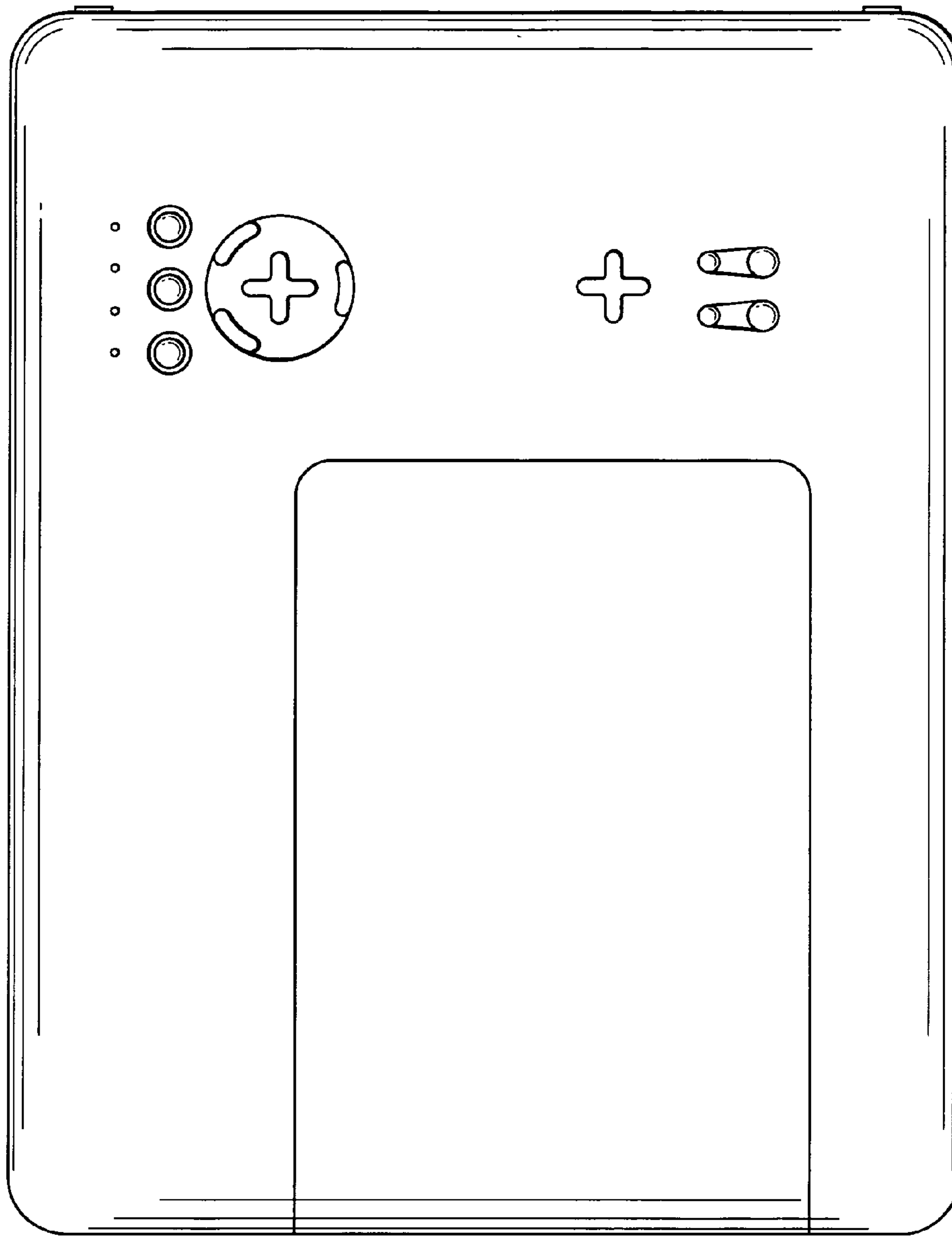


Fig. 5

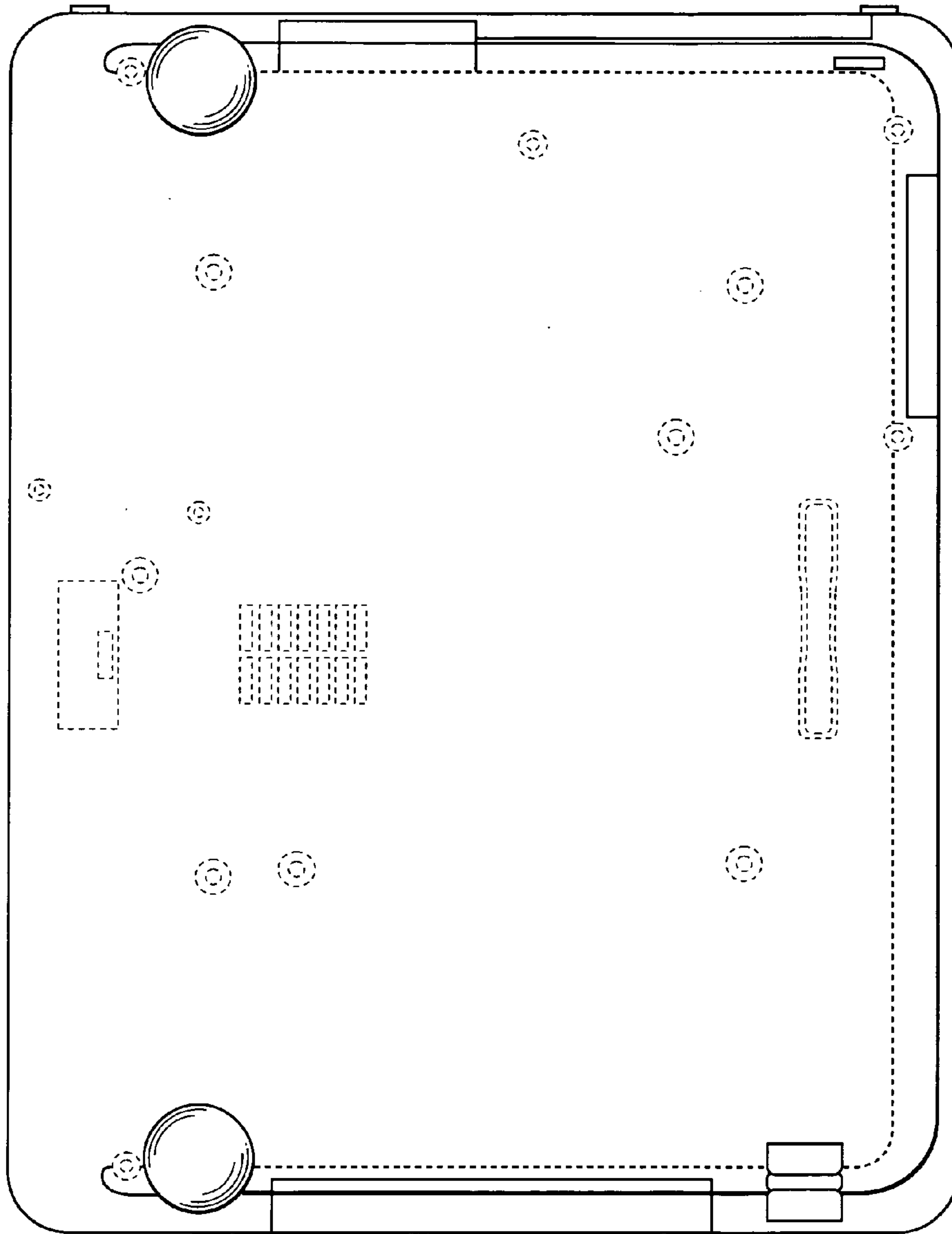


Fig. 6

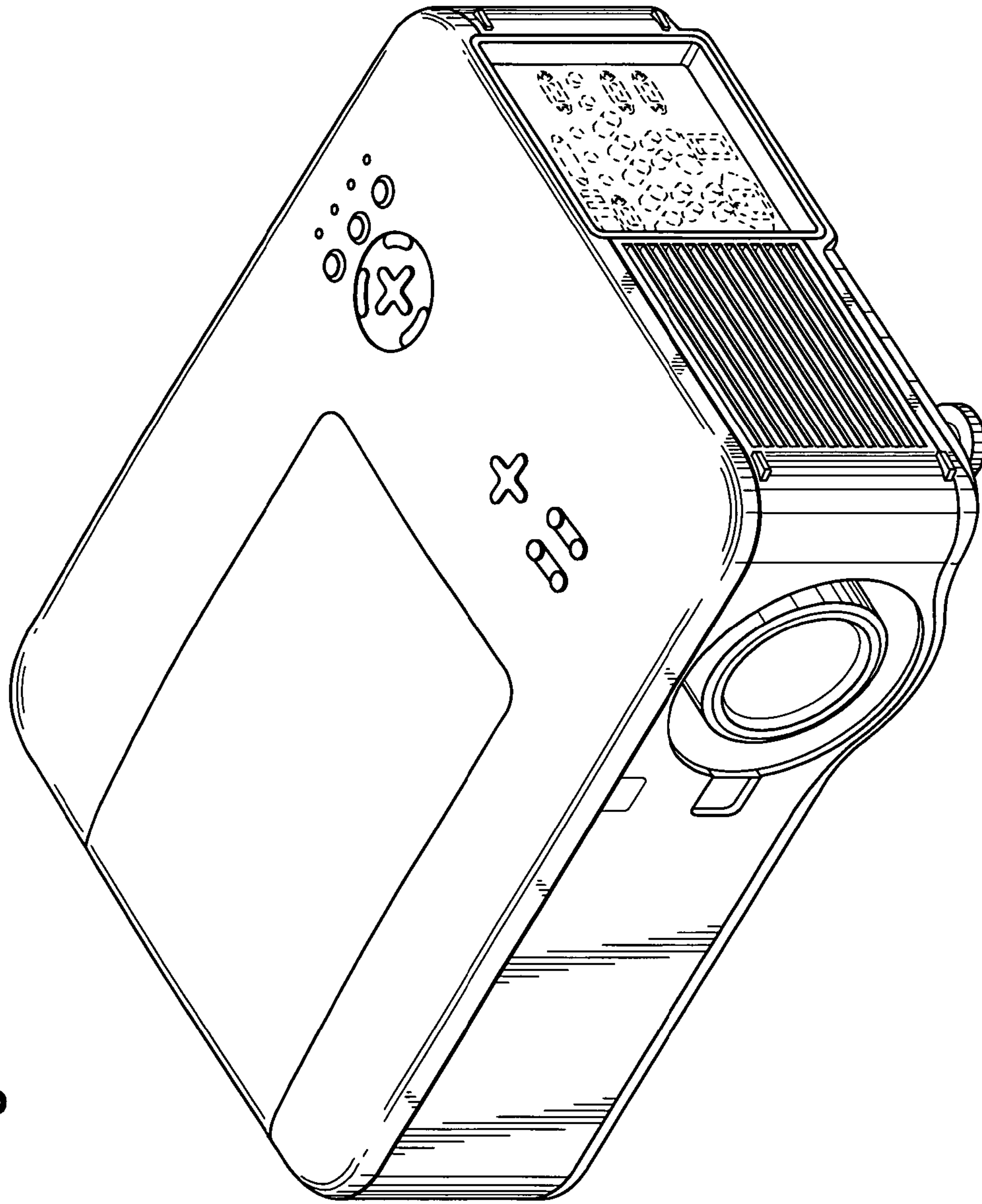


Fig. 7