



US00D572742S

(12) **United States Design Patent**
Onuma

(10) **Patent No.:** **US D572,742 S**
(45) **Date of Patent:** **** Jul. 8, 2008**

(54) **DIGITAL CAMERA**

D560,701 S * 1/2008 Watanabe D16/202
D561,801 S * 2/2008 Nakamura D16/202

(75) Inventor: **Koki Onuma**, Tokyo (JP)

(73) Assignee: **PENTAX Corporation**, Tokyo (JP)

(**) Term: **14 Years**

(21) Appl. No.: **29/272,474**

(22) Filed: **Feb. 9, 2007**

(30) **Foreign Application Priority Data**

Aug. 18, 2006 (JP) 2006-021936

(51) **LOC (8) Cl.** **16-01**

(52) **U.S. Cl.** **D16/202**

(58) **Field of Classification Search** D16/200-204,
D16/208, 209, 218; 348/373-376; 358/909.1;
396/535-541

See application file for complete search history.

(56) **References Cited**

U.S. PATENT DOCUMENTS

6,434,337 B1 * 8/2002 Misawa 358/909.1
D516,599 S * 3/2006 Nakamura D16/218
D531,652 S * 11/2006 Ogino et al. D16/202
D533,574 S * 12/2006 Hamamura D16/202
D534,564 S * 1/2007 Tainaka D16/202
D535,314 S * 1/2007 Chang D16/202
D548,257 S * 8/2007 Onuma et al. D16/202
D557,305 S * 12/2007 Onuma D16/202
D557,307 S * 12/2007 Nakamura D16/202

FOREIGN PATENT DOCUMENTS

JP 1285810 S 11/2006
JP 1286211 S 11/2006
JP 1286212 S 11/2006

OTHER PUBLICATIONS

Design of Digital camera published on Jan. 31, 2006 through Internet
(<http://www.pentax.co.jp/japan/news/2006/200602.html>).

* cited by examiner

Primary Examiner—Adir Aronovich

(74) *Attorney, Agent, or Firm*—Sughrue Mion, PLLC

(57) **CLAIM**

The ornamental design for a digital camera, as shown.

DESCRIPTION

FIG. 1 is a perspective view of the top, front and right side of a digital camera showing my new design;

FIG. 2 is a top plan view thereof;

FIG. 3 is a front elevational view thereof;

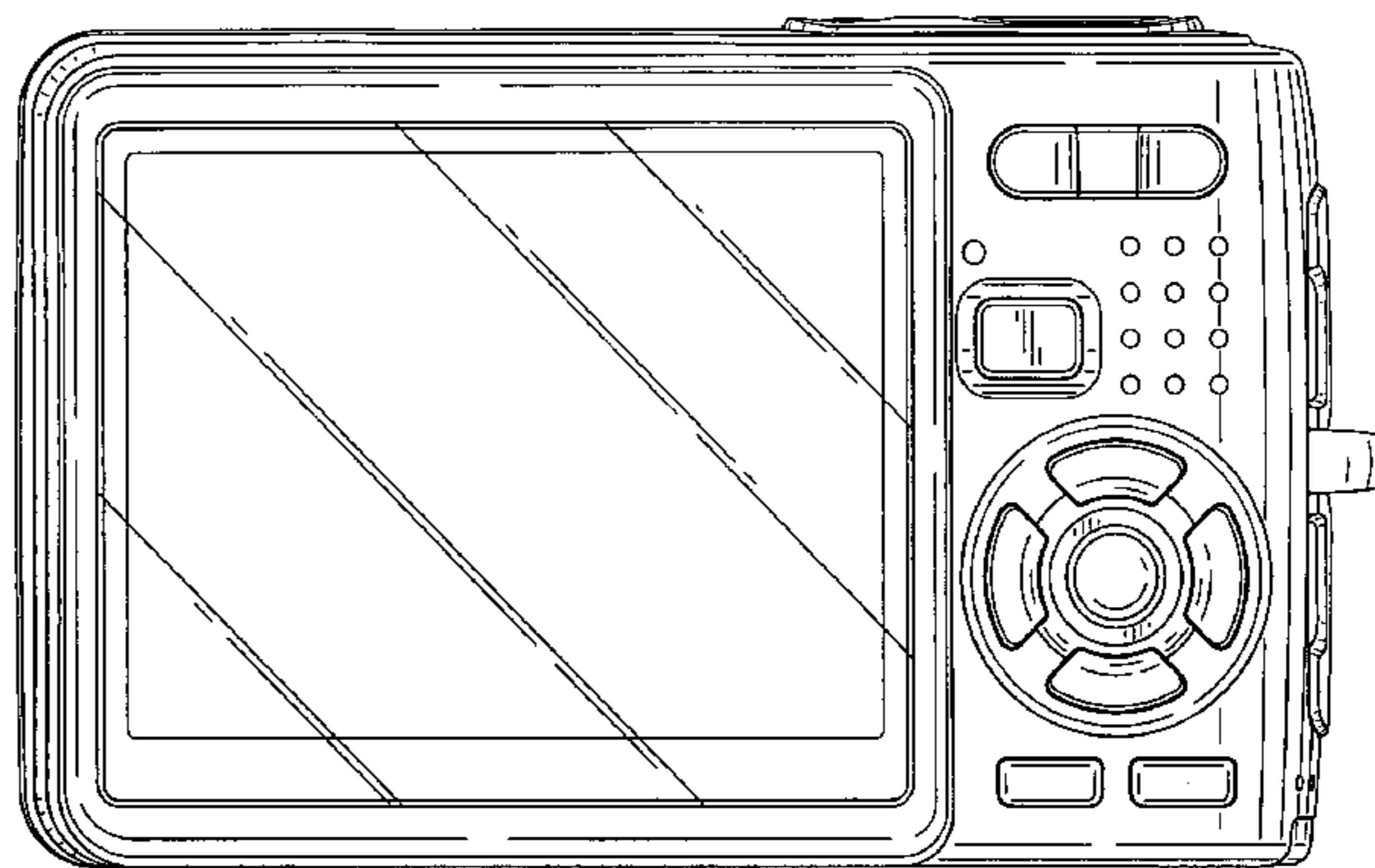
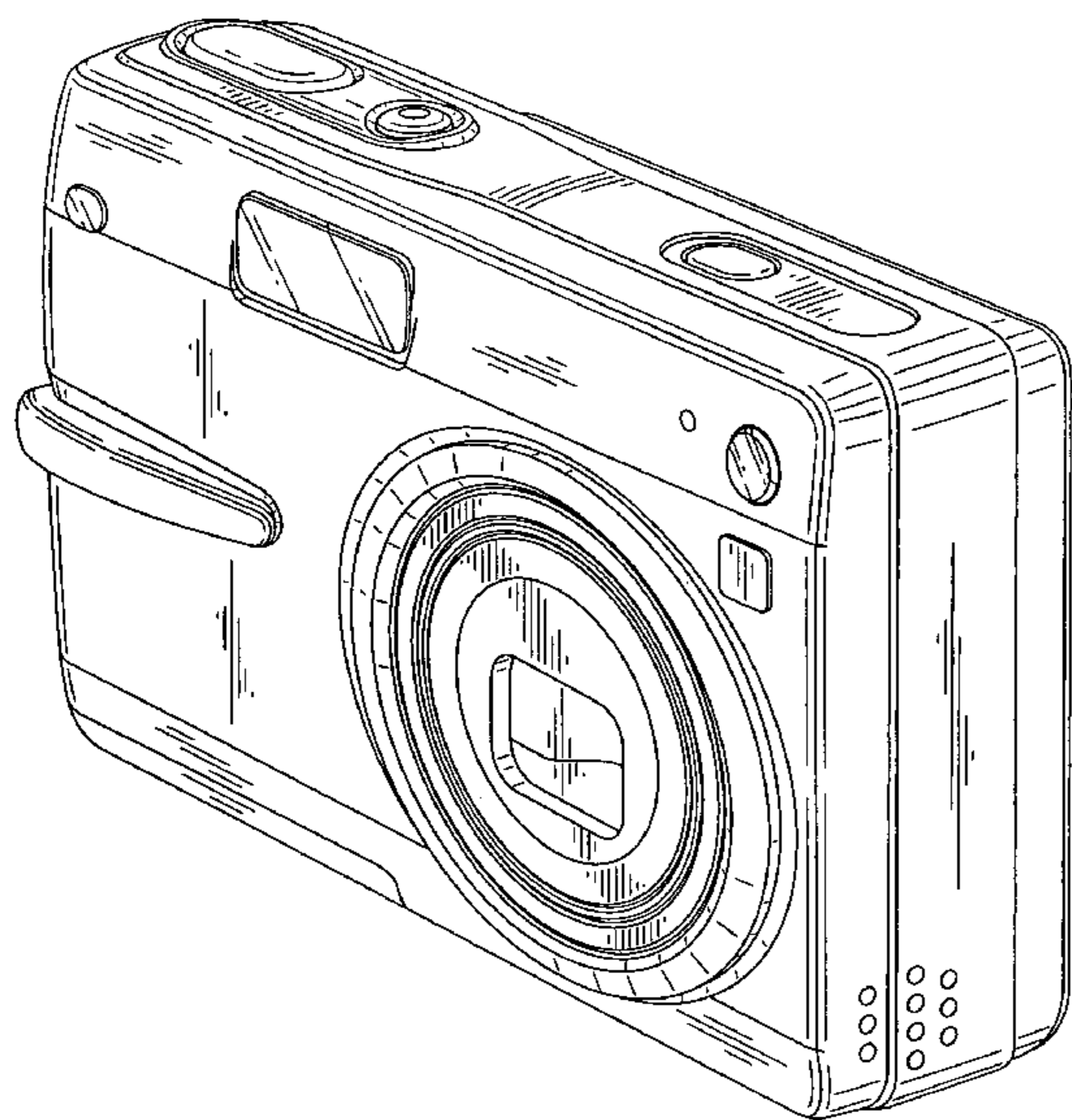
FIG. 4 is a rear elevational view thereof;

FIG. 5 is a bottom plan view thereof;

FIG. 6 is a left side elevational view thereof; and,

FIG. 7 is a right side elevational view thereof.

1 Claim, 4 Drawing Sheets



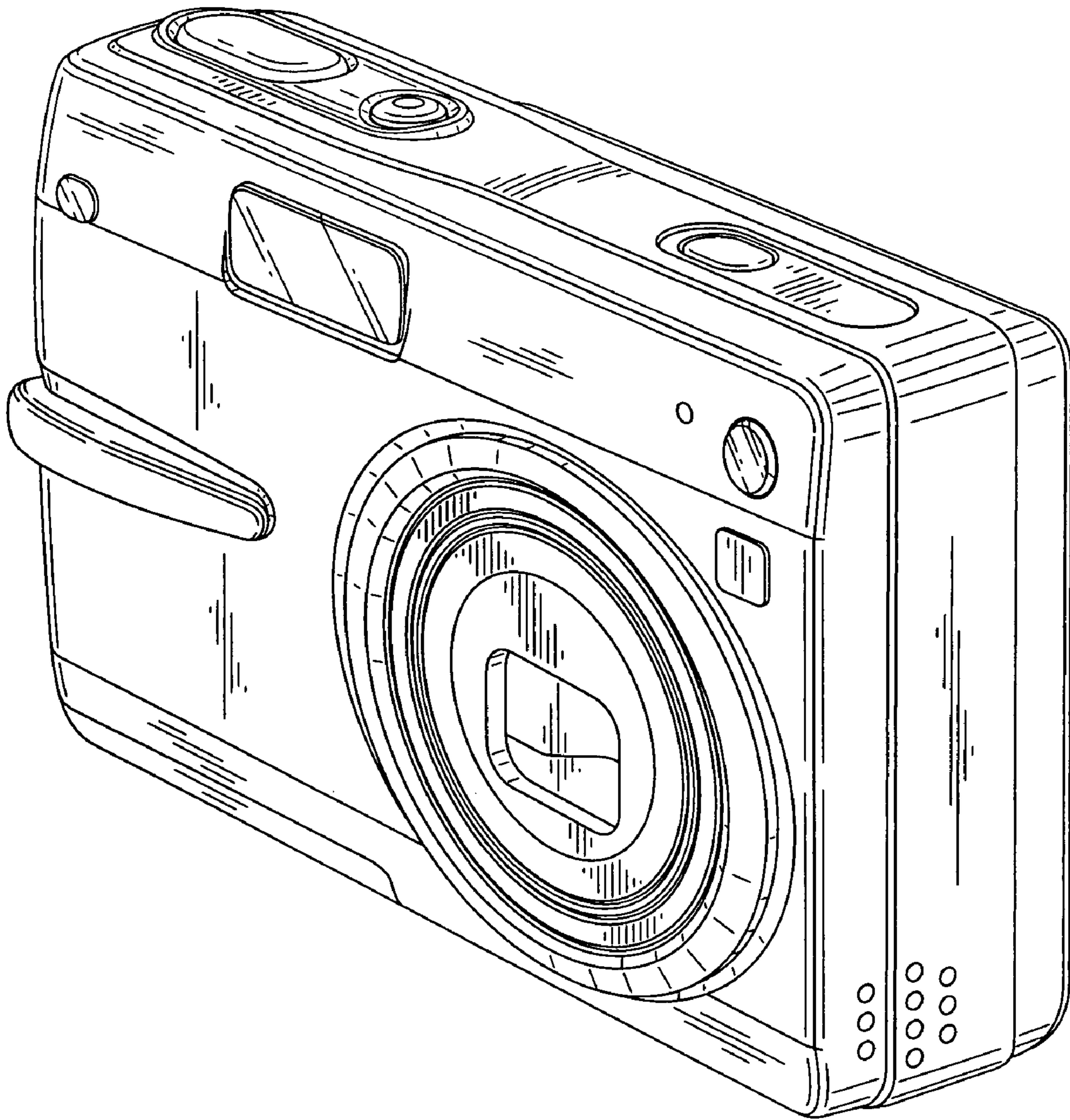


FIG. 1

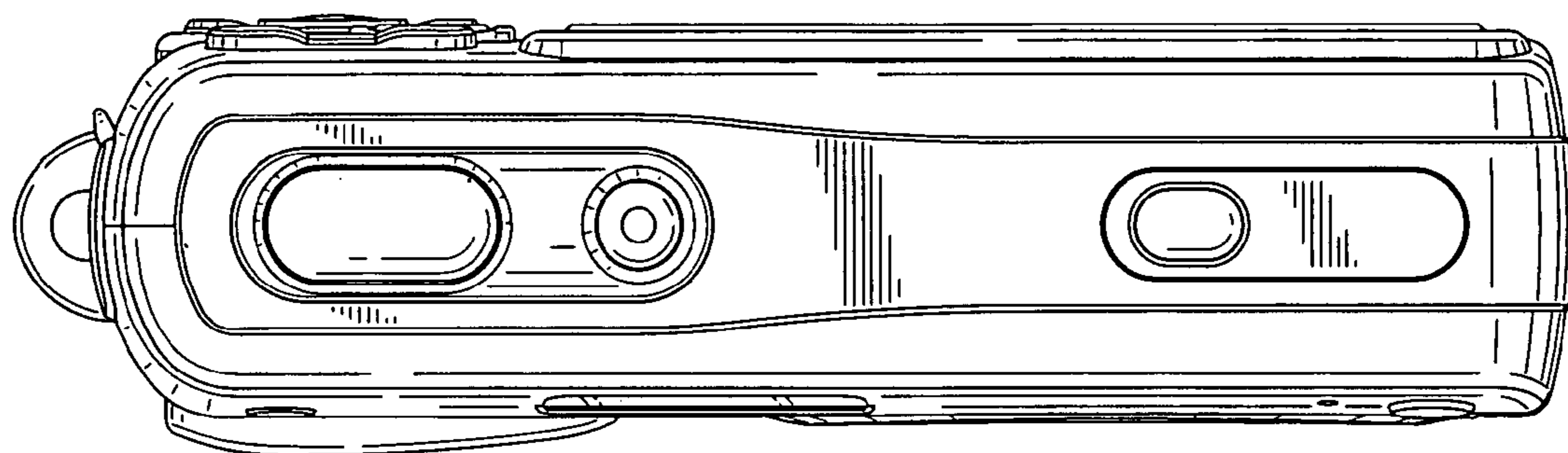


FIG. 2

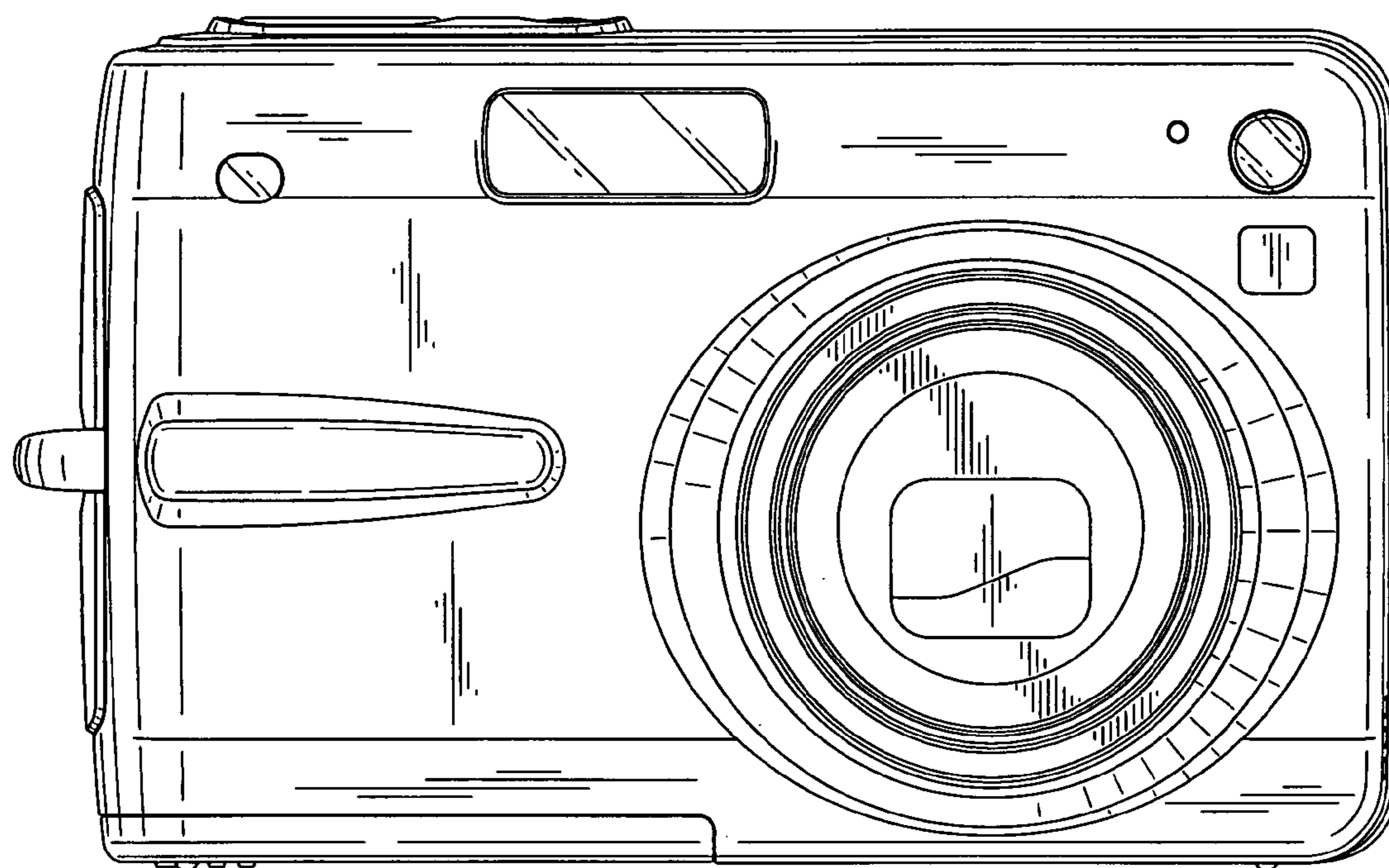


FIG. 3

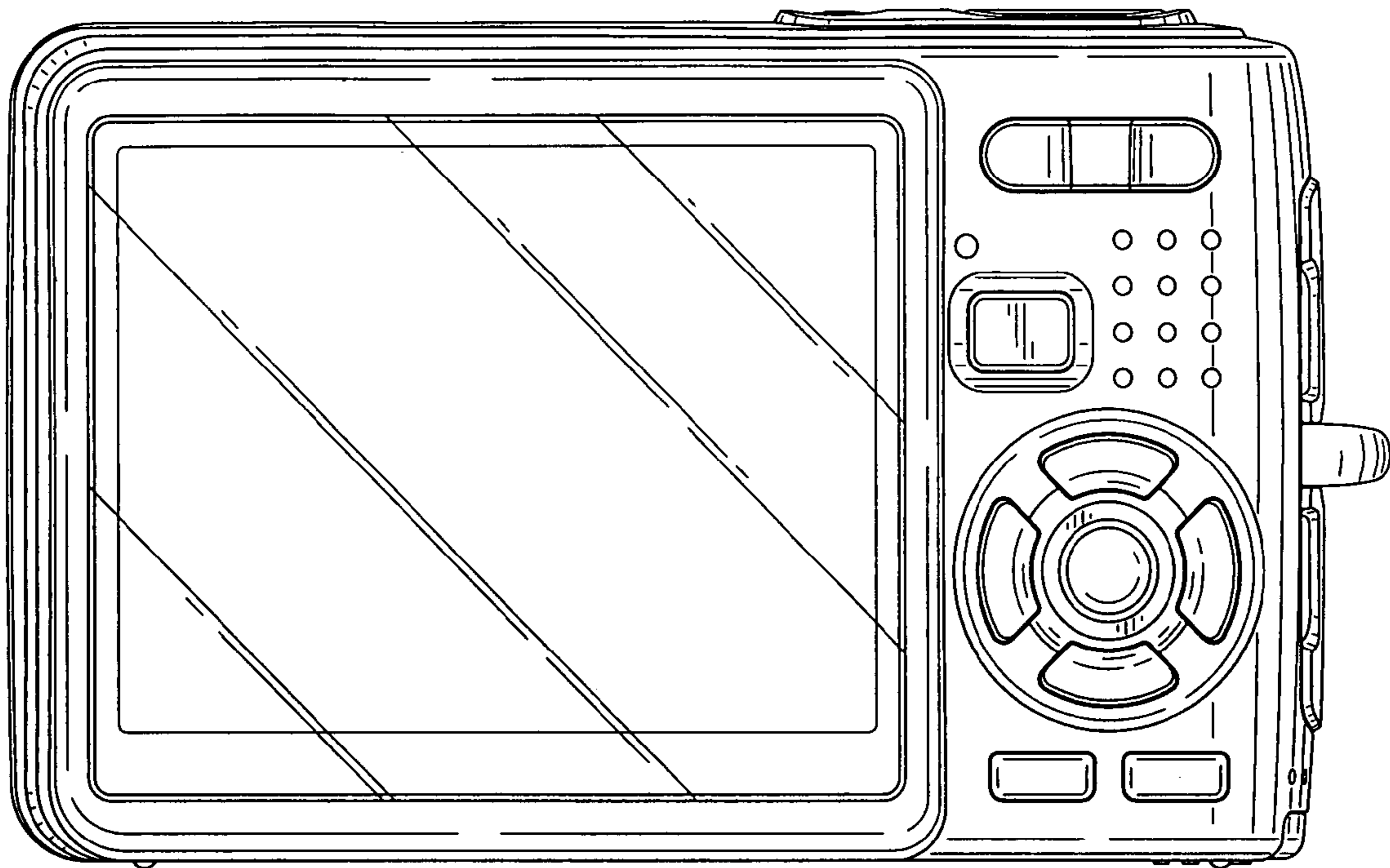


FIG. 4

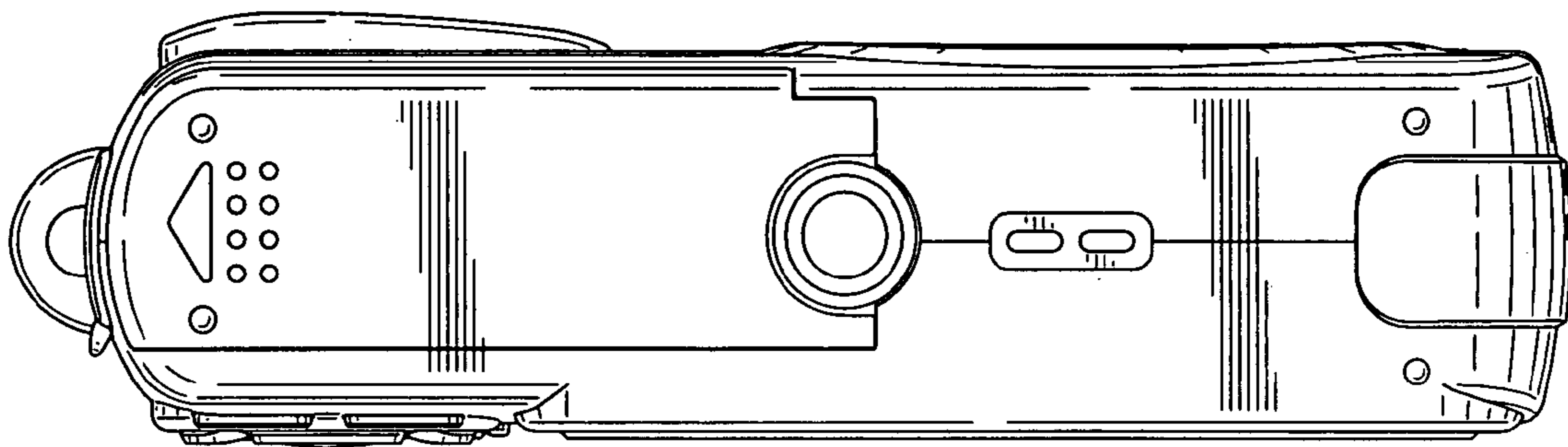


FIG. 5

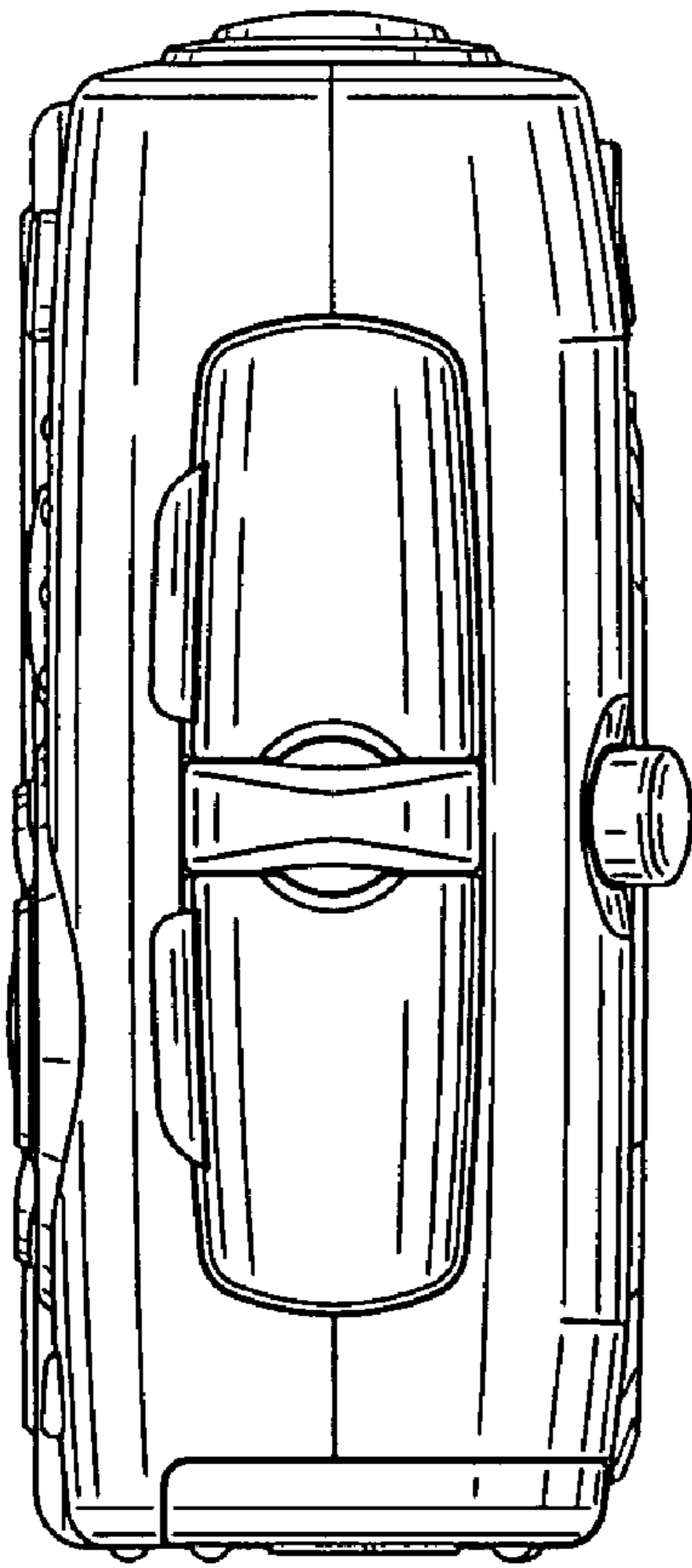


FIG. 6

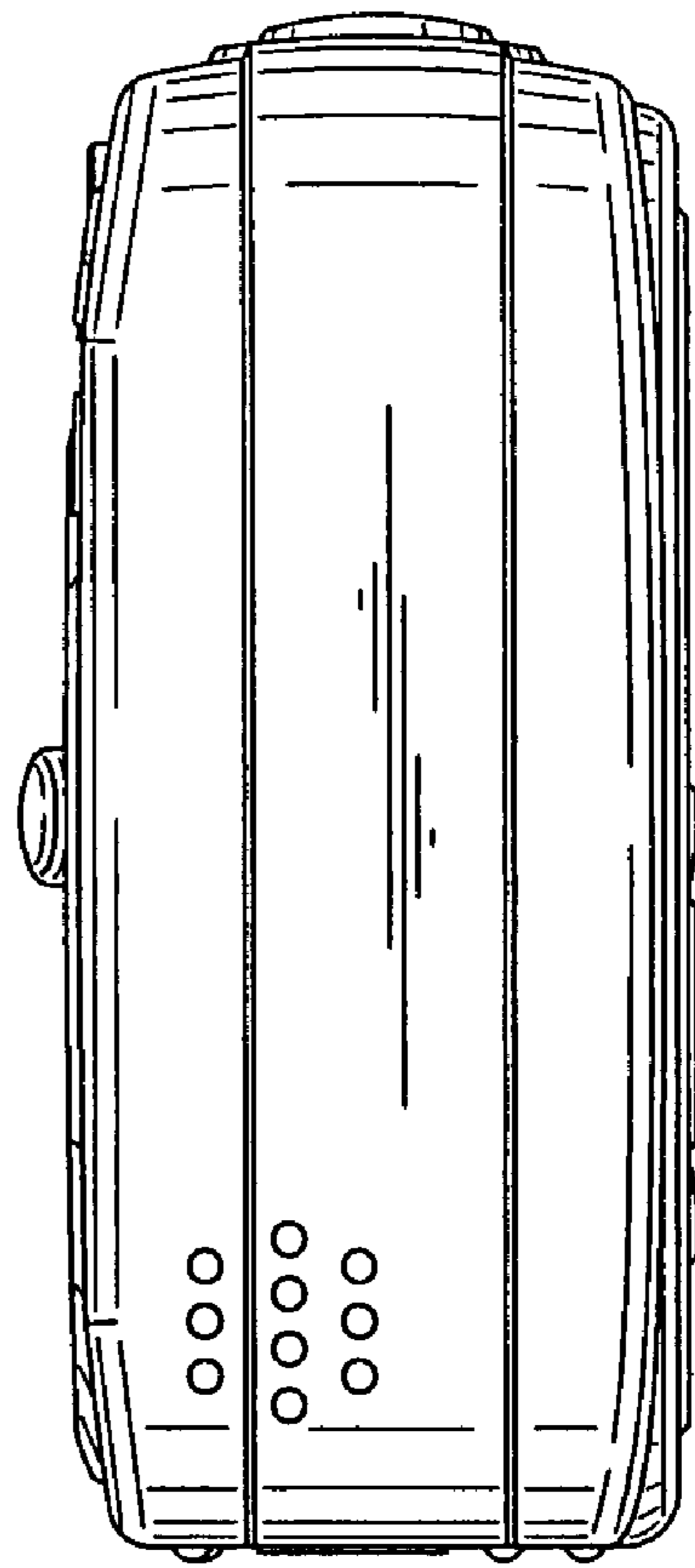


FIG. 7