



US00D572740S

(12) **United States Design Patent**
Kitera

(10) **Patent No.:** **US D572,740 S**
(45) **Date of Patent:** **** Jul. 8, 2008**

(54) **SPOTTING SCOPE**

(75) Inventor: **Jun Kitera**, Tokyo (JP)

(73) Assignee: **PENTAX Corporation**, Tokyo (JP)

(**) Term: **14 Years**

(21) Appl. No.: **29/274,729**

(22) Filed: **May 18, 2007**

(30) **Foreign Application Priority Data**

Nov. 20, 2006 (JP) 2006-031667

(51) **LOC (8) Cl.** **16-06**

(52) **U.S. Cl.** **D16/132**

(58) **Field of Classification Search** D16/130,
D16/132; D22/108, 109, 110; 359/351,
359/353, 399, 404, 407, 419, 420, 422, 424,
359/382, 383-394, 405, 409, 411-413, 415,
359/428, 430, 480, 827; 356/247; 42/126

See application file for complete search history.

(56) **References Cited**

U.S. PATENT DOCUMENTS

D215,355 S * 9/1969 Weatherby et al. D16/132
D247,625 S * 3/1978 Huckenbeck D16/132
D285,698 S * 9/1986 Ogasawara D16/132
D300,039 S * 2/1989 Huckenbeck D16/132
D369,612 S * 5/1996 Yanagisawa D16/132

D374,022 S * 9/1996 Meinzer D16/132
5,946,132 A * 8/1999 Phillips 359/351
D439,259 S * 3/2001 Yamaguchi D16/132
D454,144 S * 3/2002 Ogasawara et al. D16/132
D479,255 S * 9/2003 Hamamura D16/132
D482,709 S * 11/2003 Meinzer D16/132
D534,193 S * 12/2006 Ono D16/132
D550,263 S * 9/2007 Zhou D16/132

FOREIGN PATENT DOCUMENTS

JP 1123285 S 10/2001

* cited by examiner

Primary Examiner—Paula A. Greene

(74) *Attorney, Agent, or Firm*—Sughrue Mion, PLLC

(57) **CLAIM**

The ornamental design for a spotting scope, as shown.

DESCRIPTION

FIG. 1 is a perspective view of the top, front and right side of a spotting scope showing my new design;

FIG. 2 is a front elevational view thereof;

FIG. 3 is a rear elevational view thereof;

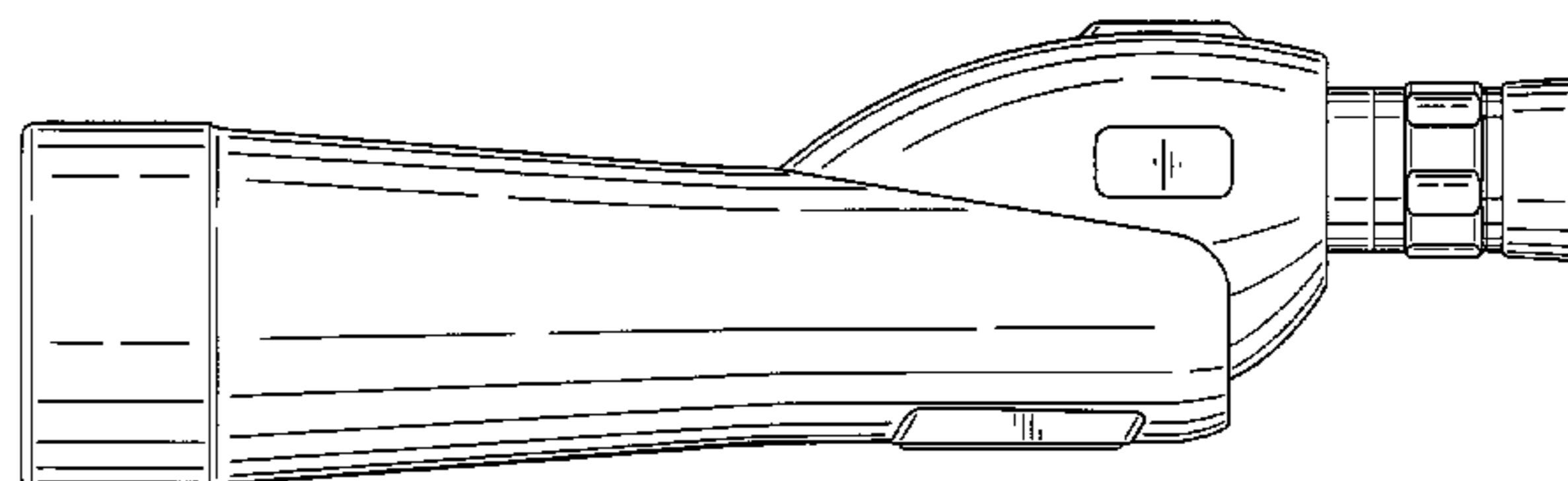
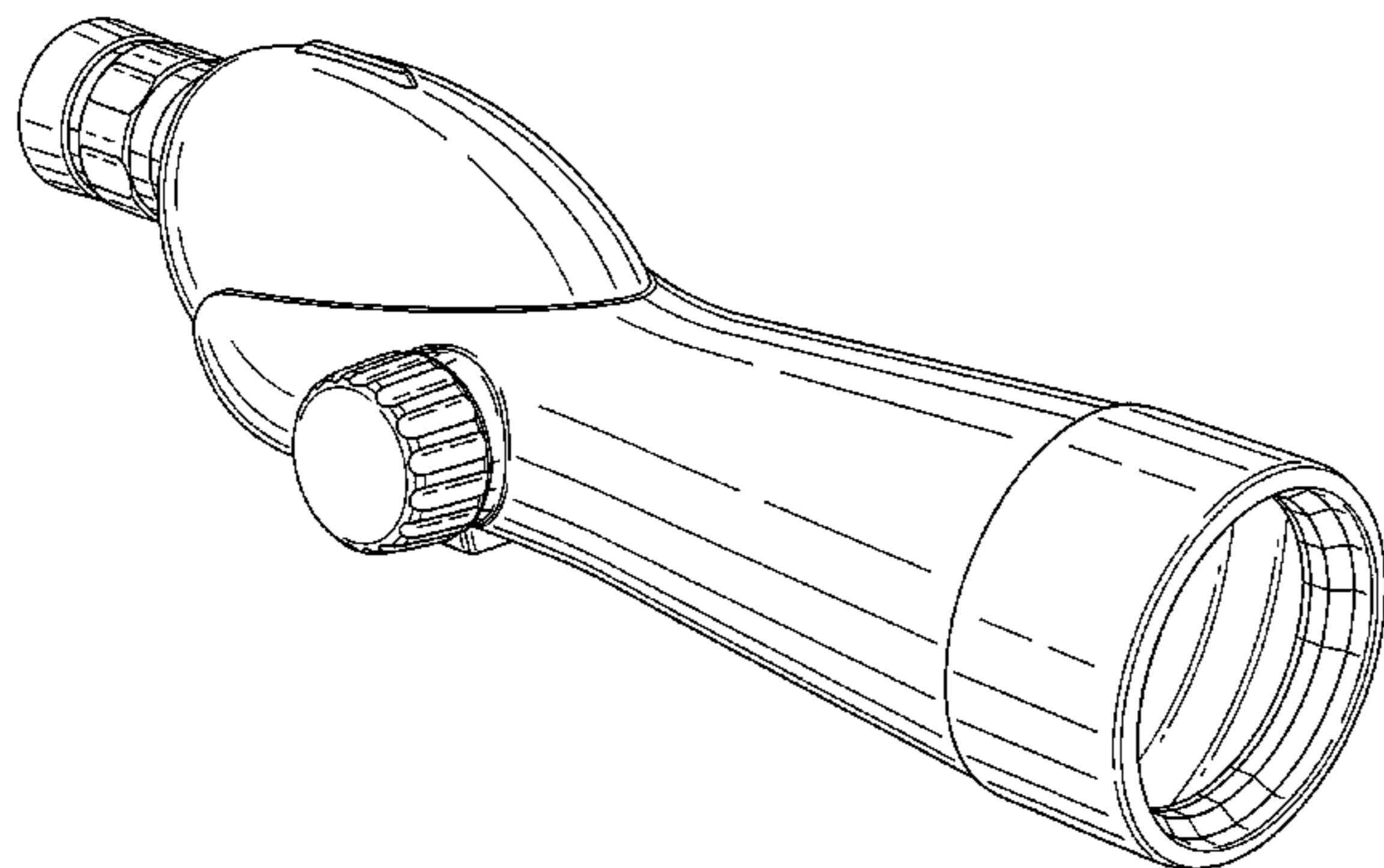
FIG. 4 is a left side elevational view thereof;

FIG. 5 is a right side elevational view thereof;

FIG. 6 is a top plan view thereof; and,

FIG. 7 is a bottom plan view thereof.

1 Claim, 4 Drawing Sheets



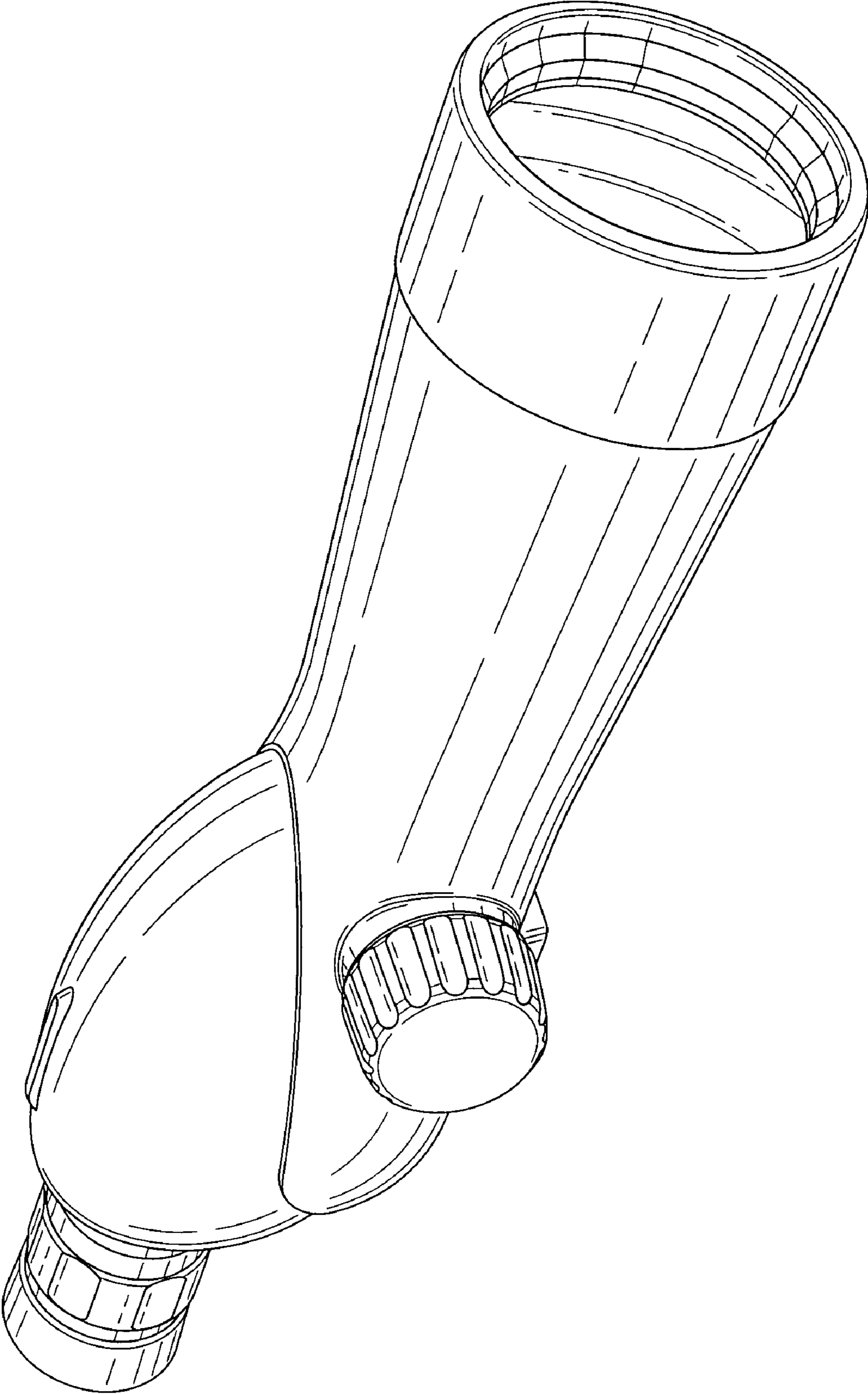


FIG. 1

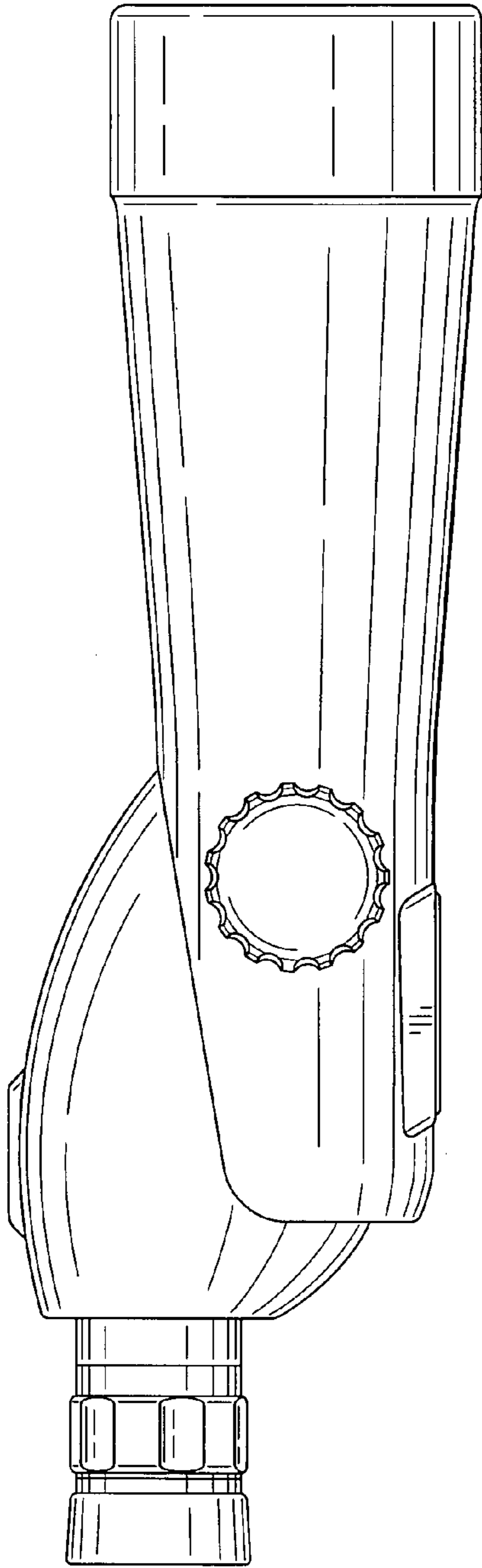


FIG. 2

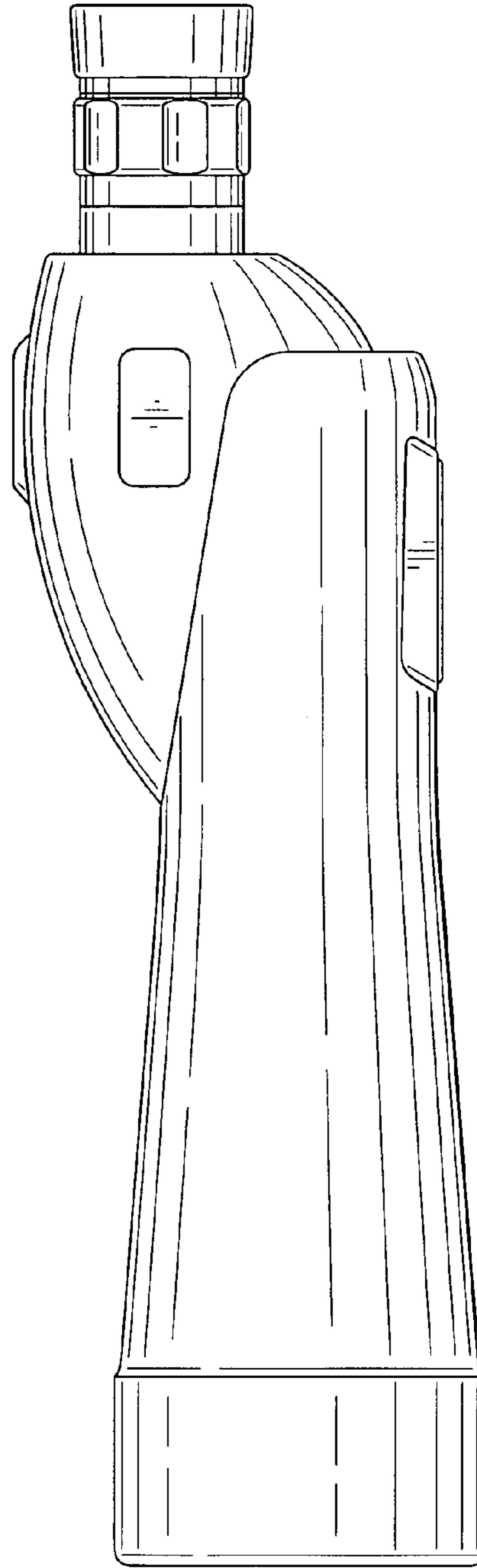


FIG. 3

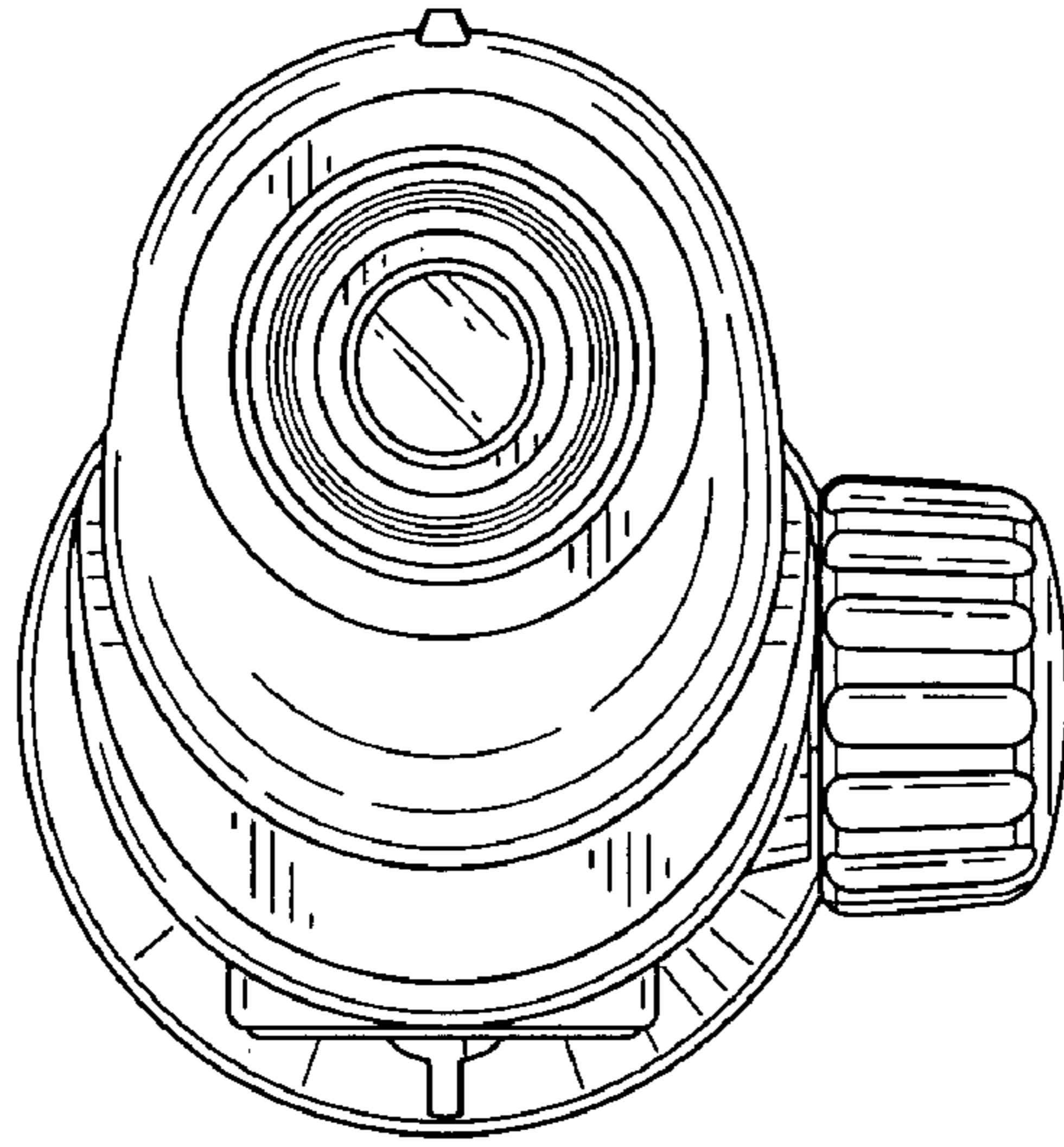


FIG. 4

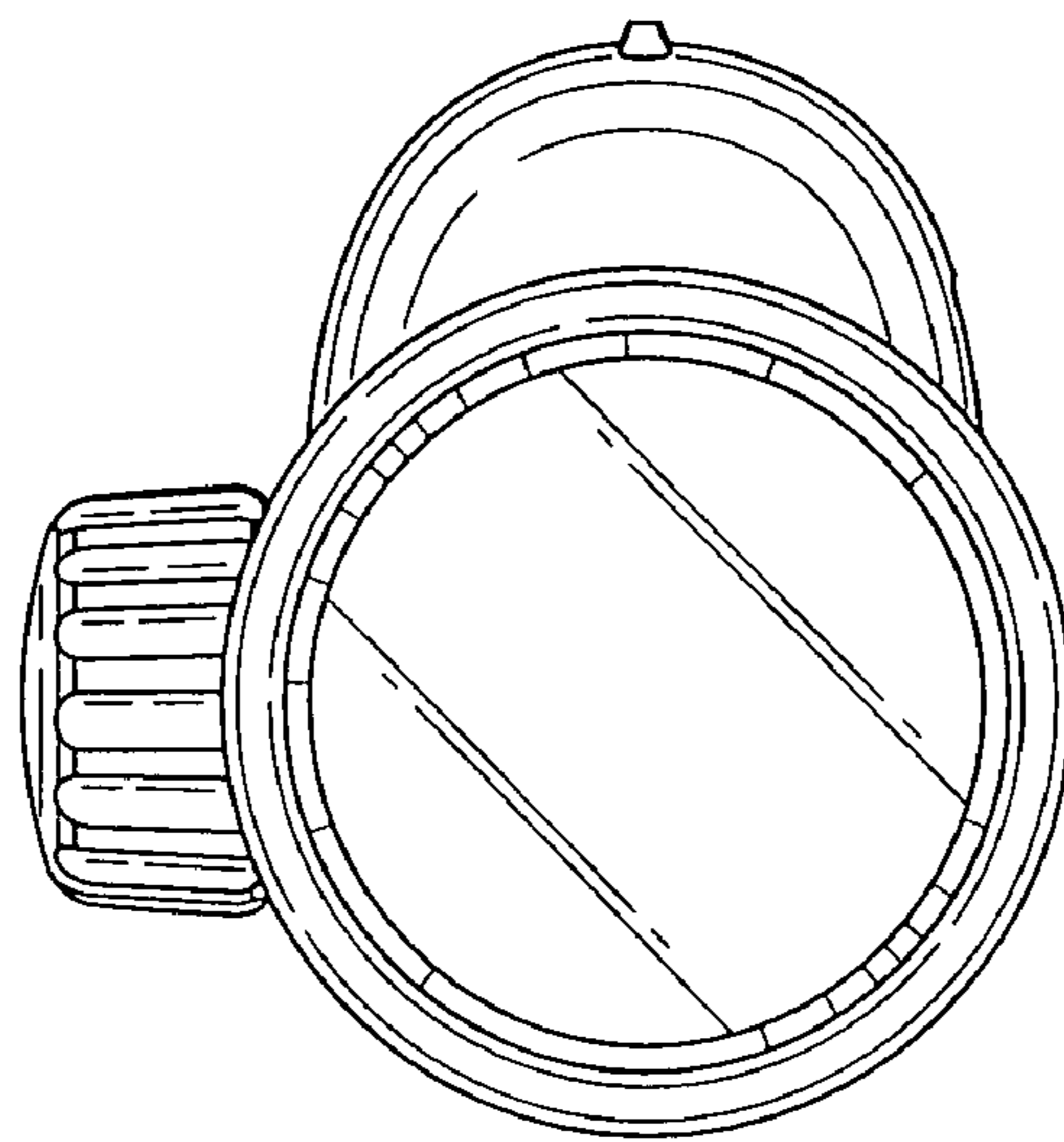


FIG. 5

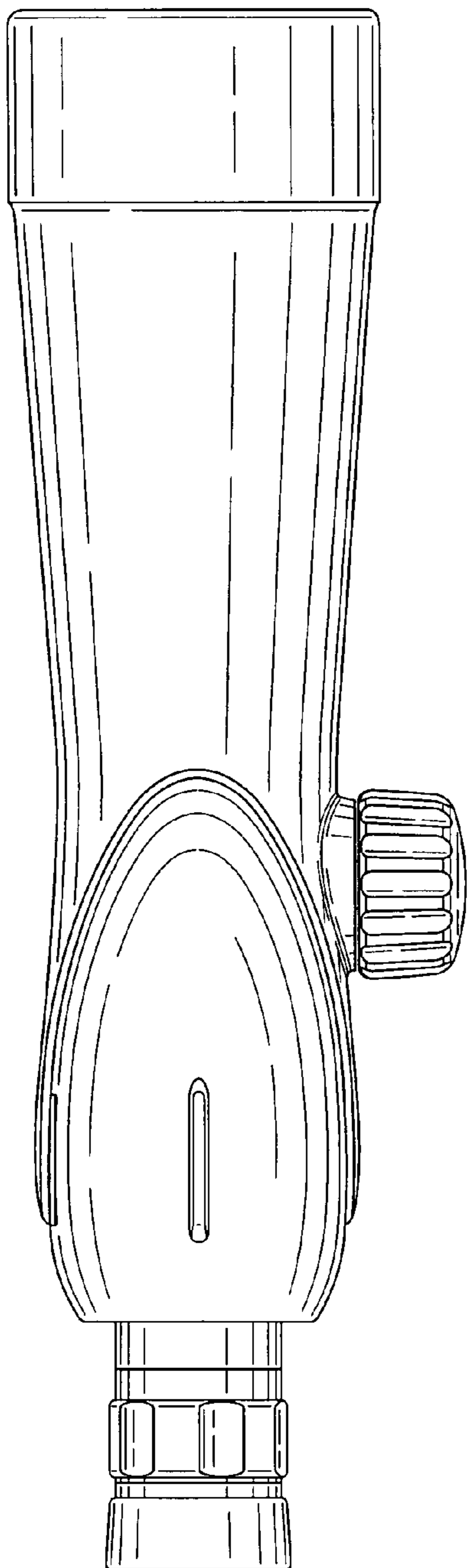


FIG. 6

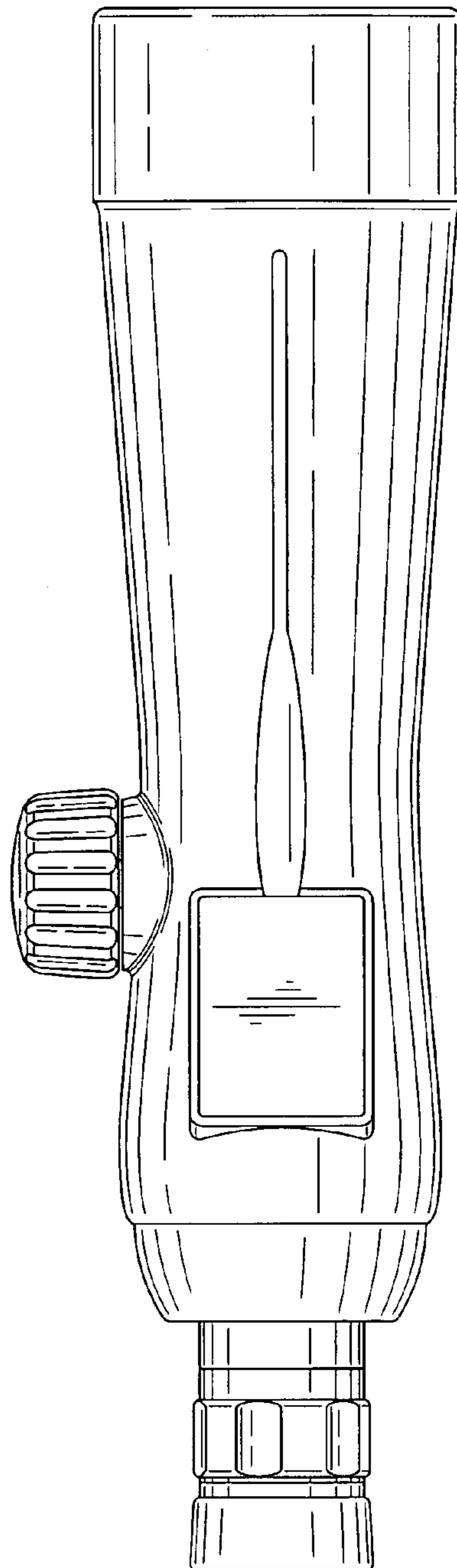


FIG. 7