



US00D572739S

(12) **United States Design Patent**
Jennings et al.

(10) **Patent No.:** **US D572,739 S**
(45) **Date of Patent:** **** Jul. 8, 2008**

(54) **ROBOT**

(75) Inventors: **Craig Jennings**, Dayton, OH (US);
Mike Katchmar, Troy, OH (US); **Wade Hickle**, Vandalia, OH (US); **Zane Allan Michael**, Troy, OH (US); **Carl Traynor**, Dayton, OH (US)

(73) Assignee: **Motoman, Inc.**, West Carrollton, OH (US)

(**) Term: **14 Years**

(21) Appl. No.: **29/283,264**

(22) Filed: **Aug. 9, 2007**

Related U.S. Application Data

(62) Division of application No. 29/236,900, filed on Aug. 23, 2005, now Pat. No. Des. 553,655.

(51) **LOC (8) Cl.** **15-99**

(52) **U.S. Cl.** **D15/199**

(58) **Field of Classification Search** D15/199;
D21/578, 593, 594, 621; 222/129, 129.3;
318/568.12, 568.2; 446/268-274, 279, 280,
446/289-292, 298, 300, 353, 354, 376, 378-384;
700/264, 281

See application file for complete search history.

(56) **References Cited**

U.S. PATENT DOCUMENTS

3,067,912	A	12/1962	Neri et al.	
3,409,176	A	11/1968	Krause	
3,830,405	A	8/1974	Jaeger	
3,949,902	A	4/1976	Thompson	
4,628,974	A	12/1986	Meyer	
D290,146	S *	6/1987	Horiuchi	D21/578
D294,841	S *	3/1988	Beley	D21/578
D296,347	S *	6/1988	Kanoh	D21/578
4,922,435	A	5/1990	Cahlander et al.	
D314,401	S *	2/1991	Lehman et al.	D21/578

5,074,741	A	12/1991	Johansson	
D456,080	S *	4/2002	Karlsson	D24/185
6,604,021	B2 *	8/2003	Imai et al.	318/568.12
7,142,945	B2 *	11/2006	Wang et al.	318/568.11
7,171,286	B2 *	1/2007	Wang et al.	318/568.12
7,177,724	B2	2/2007	Cantello et al.	
D549,756	S *	8/2007	Park et al.	D15/199
D553,655	S *	10/2007	Jennings et al.	D15/199
2004/0193318	A1	9/2004	Ito	
2005/0188655	A1 *	9/2005	Thatenhorst	053/415
2005/0246065	A1	11/2005	Ricard	
2006/0015214	A1	1/2006	Sugawara et al.	
2006/0043111	A1 *	3/2006	Jennings et al.	222/129.1
2006/0149419	A1 *	7/2006	Ogawa et al.	700/245
2006/0182604	A1 *	8/2006	Clark et al.	414/736
2006/0200274	A1 *	9/2006	Watanabe et al.	700/245
2007/0005189	A1	1/2007	Furubo	
2007/0044603	A1 *	3/2007	Scholtes et al.	083/13
2007/0106422	A1 *	5/2007	Jennings et al.	700/245
2007/0119123	A1 *	5/2007	Clark et al.	053/430

* cited by examiner

Primary Examiner—Sandra Snapp

Assistant Examiner—Patricia Palasik

(74) *Attorney, Agent, or Firm*—Dinsmore & Shohl LLP

(57) **CLAIM**

The ornamental design for a robot, as shown.

DESCRIPTION

FIG. 1 is a perspective view of a robot illustrating our new design;

FIG. 2 is a front view of the design of FIG. 1;

FIG. 3 is a right side view of the design of FIG. 1;

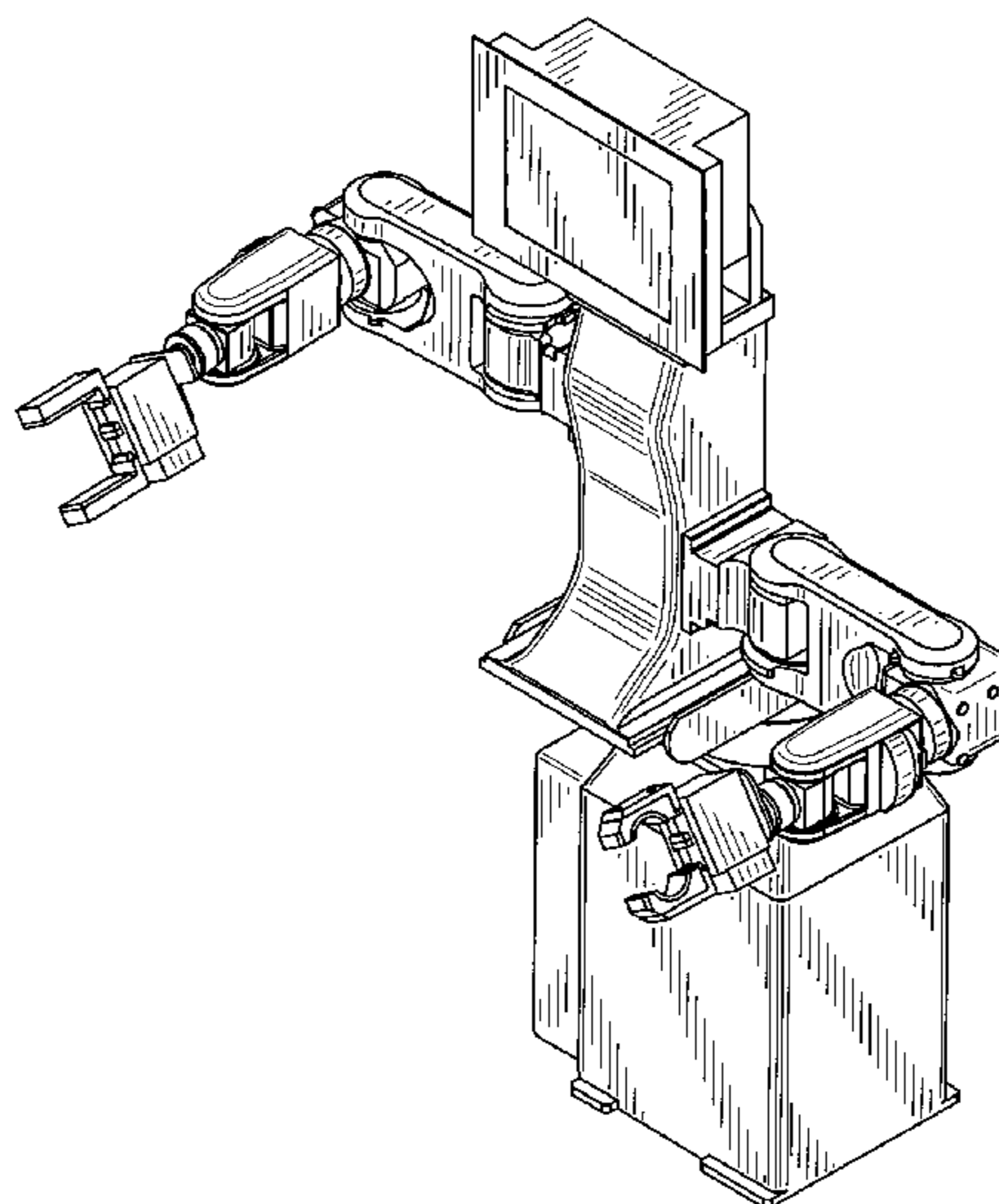
FIG. 4 is a left side view of the design of FIG. 1;

FIG. 5 is a top plan view of the design of FIG. 1;

FIG. 6 is a bottom plan view of the design in FIG. 1; and,

FIG. 7 is a rear view of the design in FIG. 1.

1 Claim, 6 Drawing Sheets



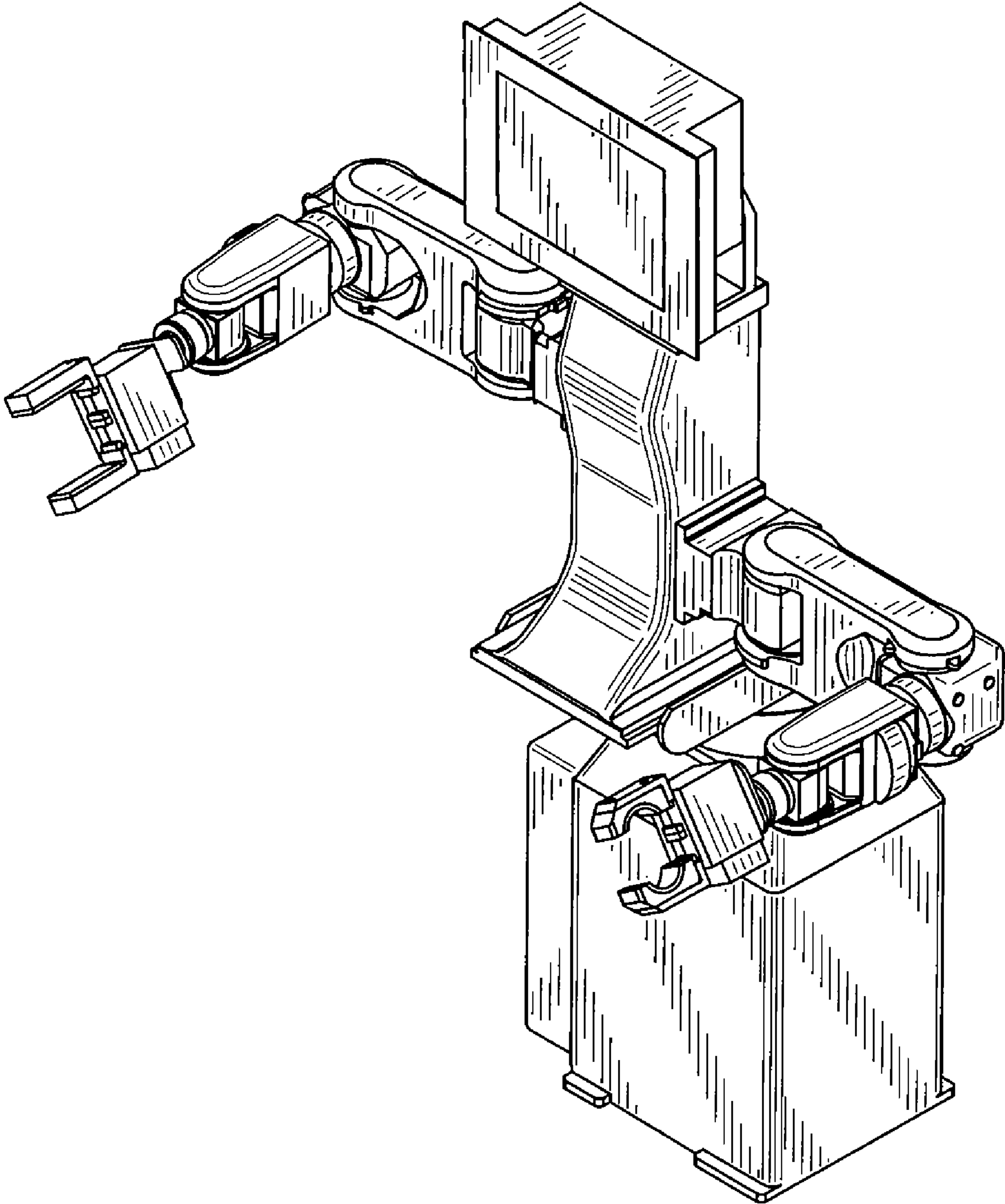


FIG. 1

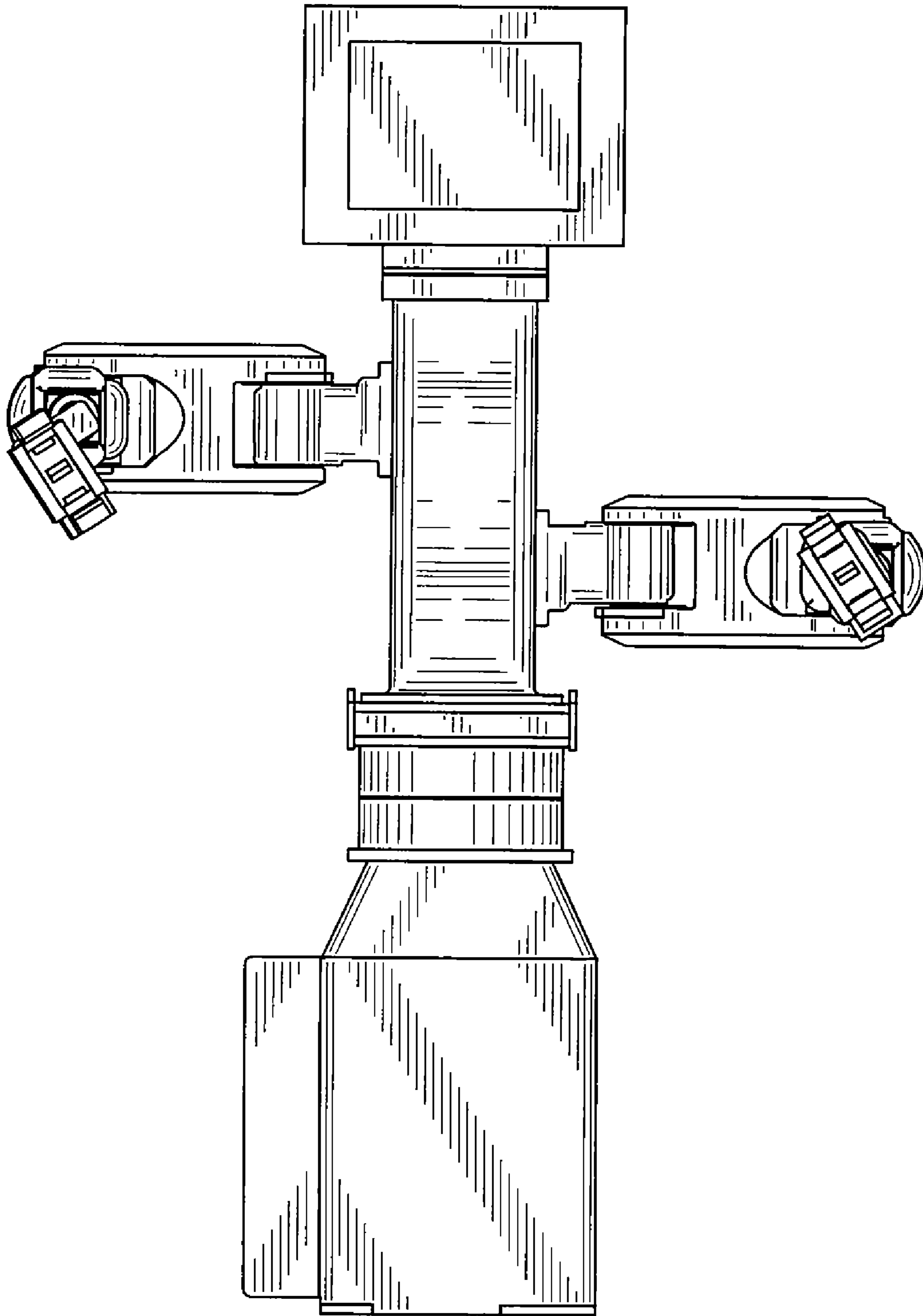


FIG. 2

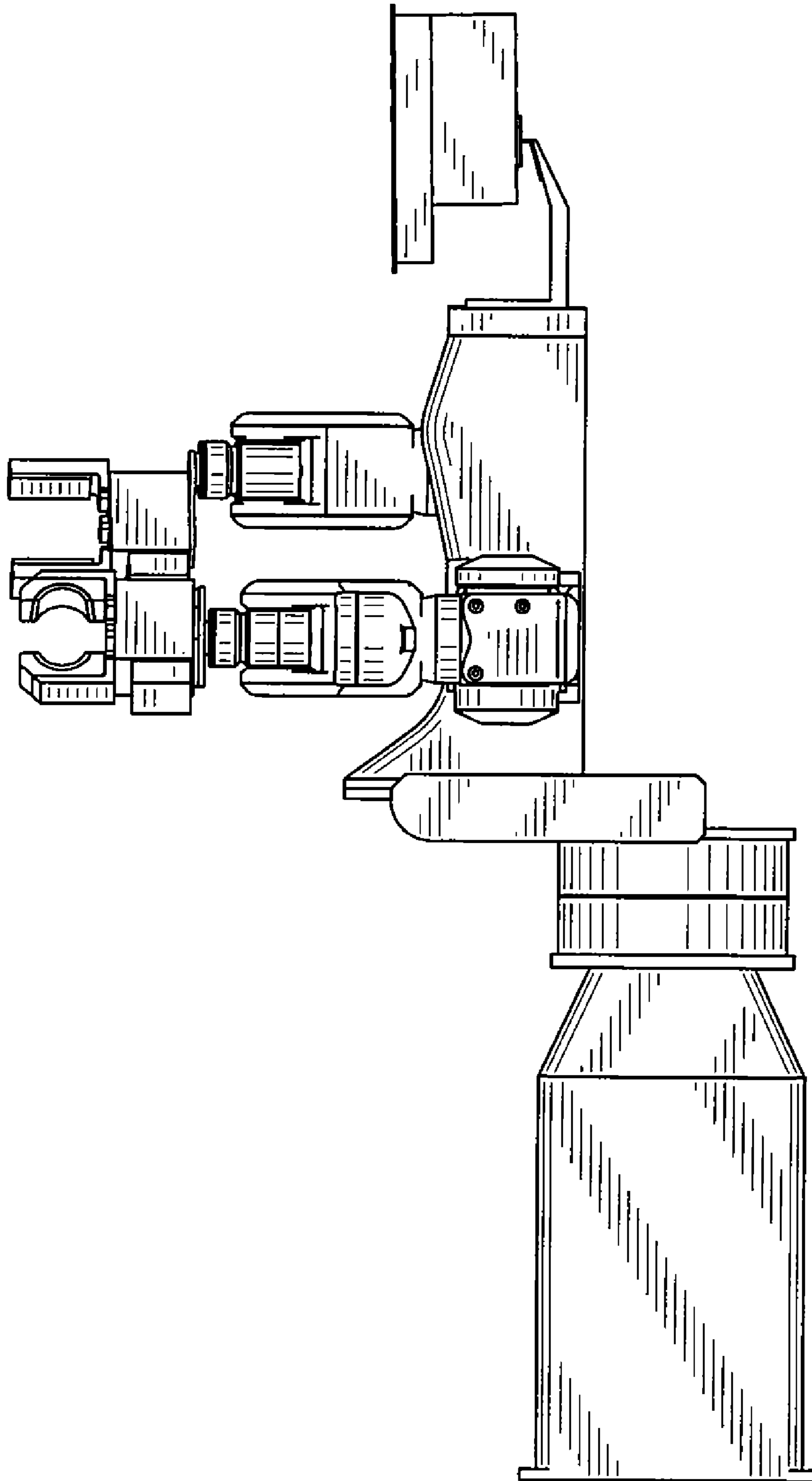


FIG. 3

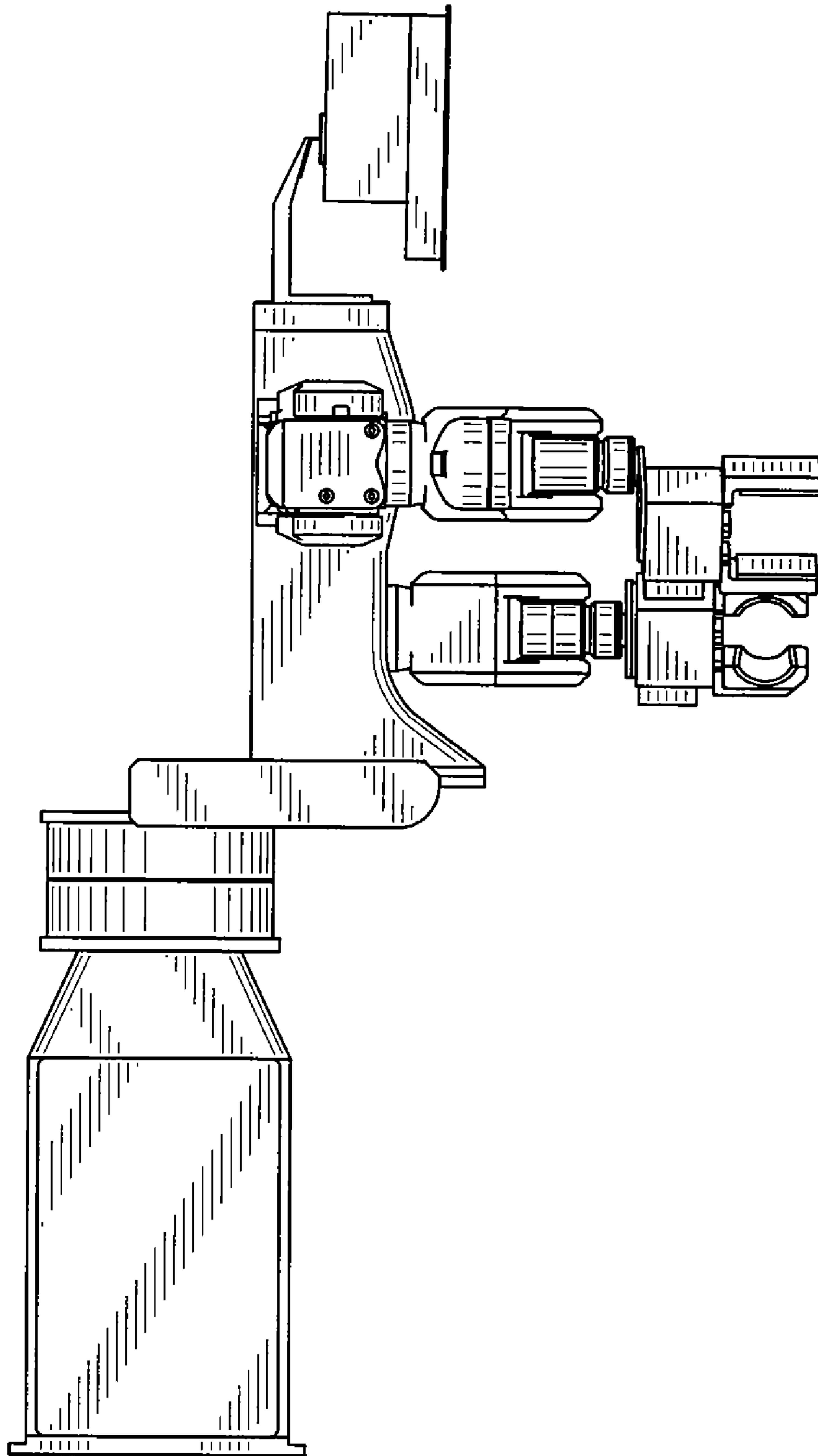


FIG. 4

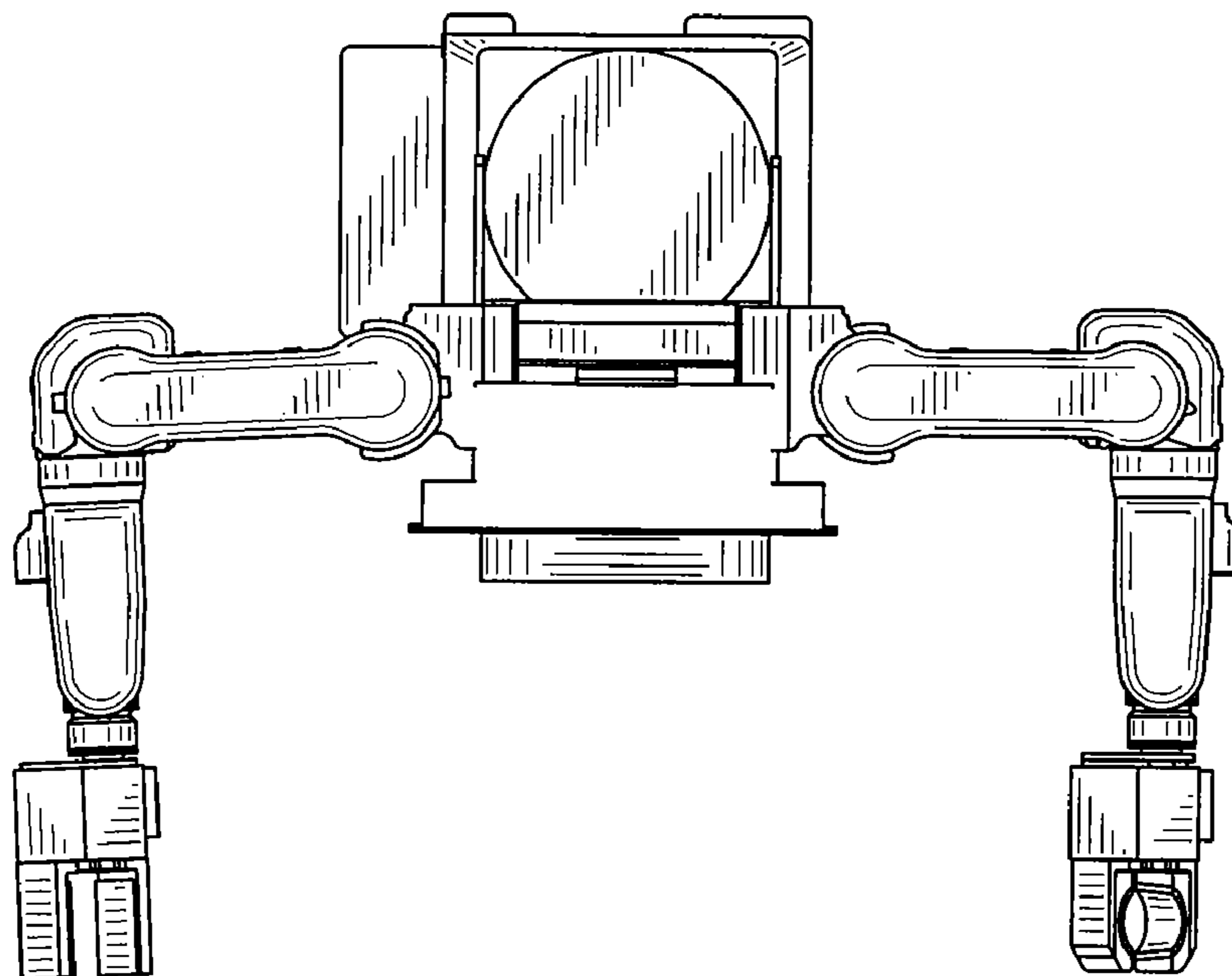


FIG. 5

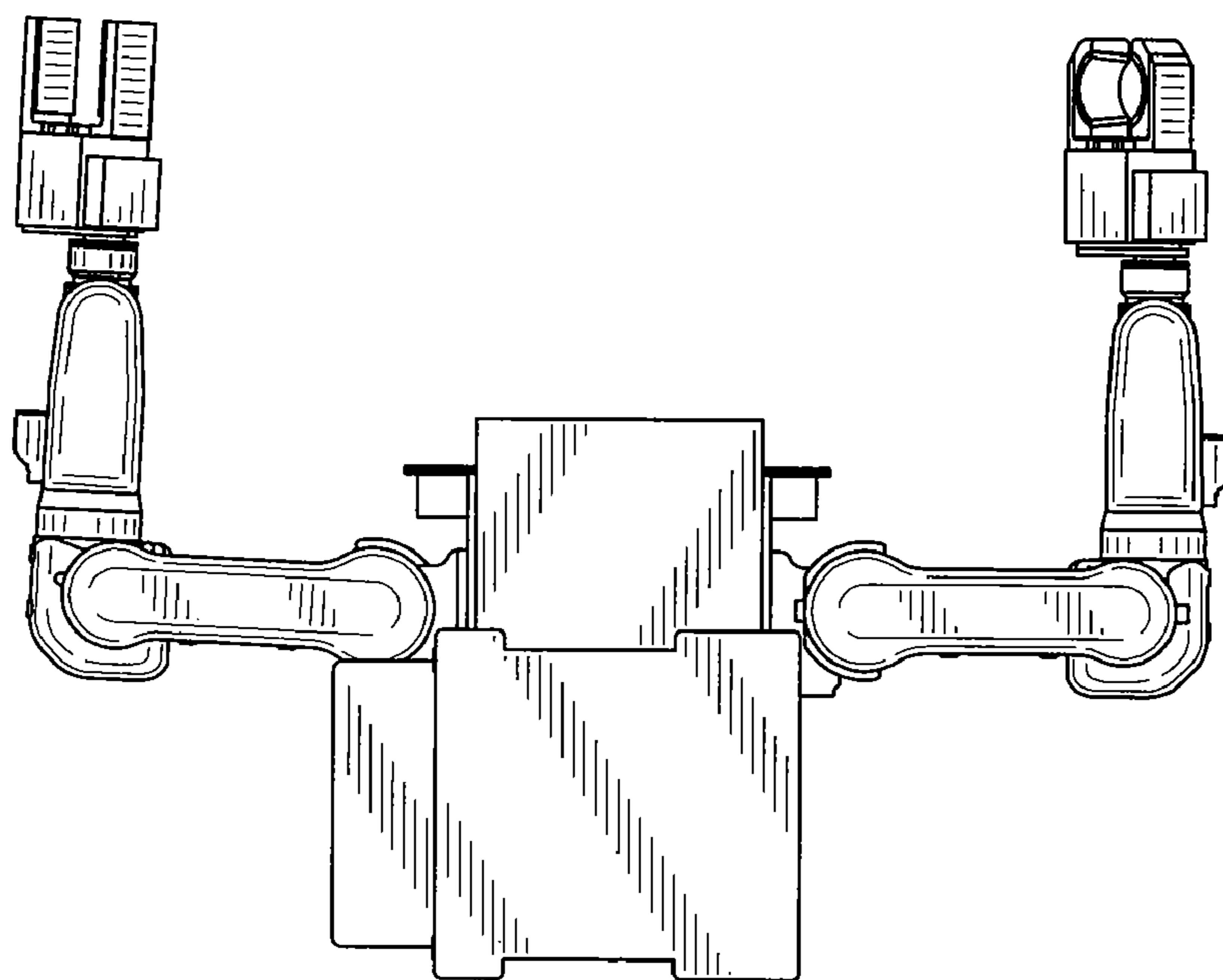


FIG. 6

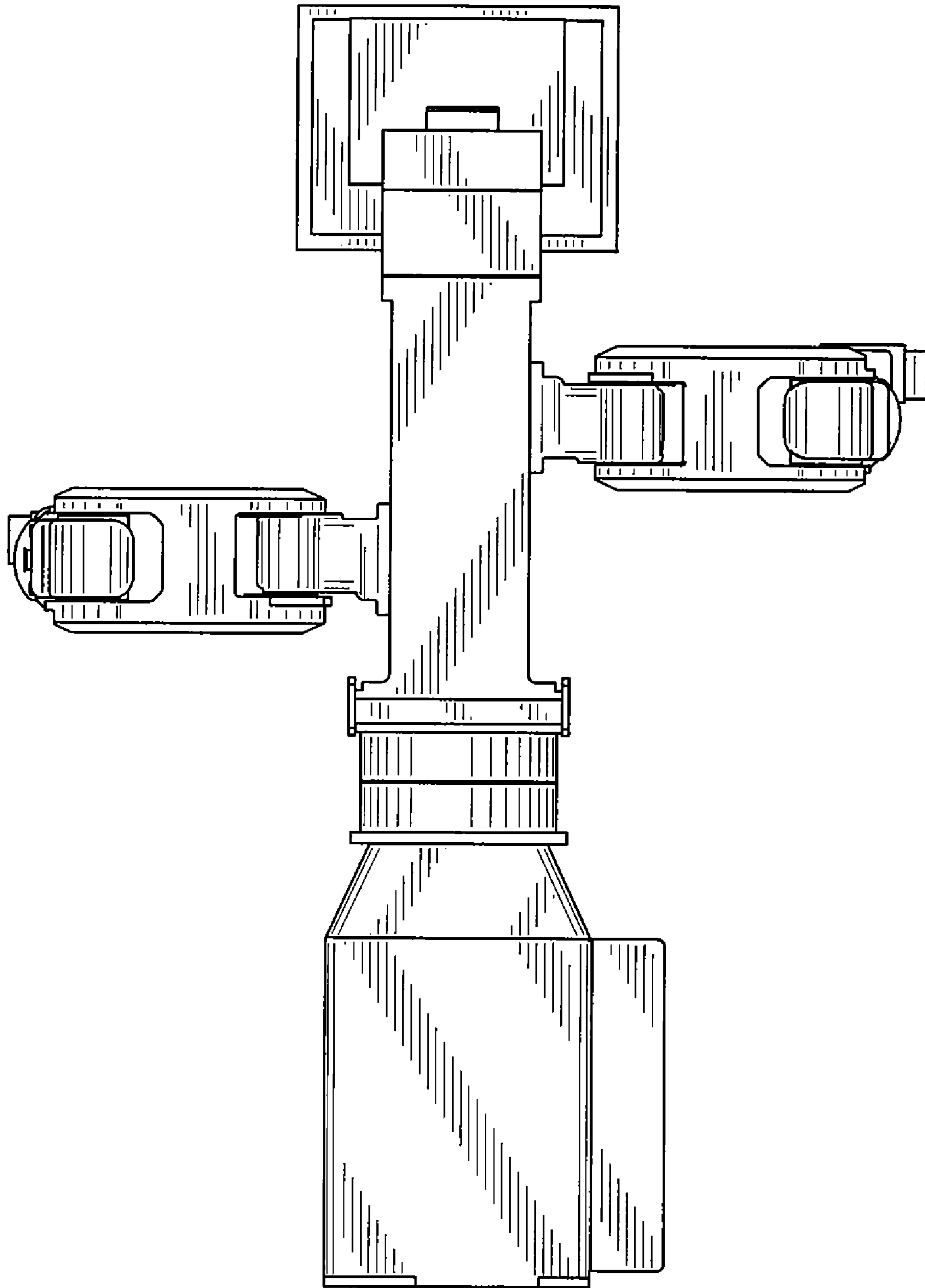


FIG. 7