



US00D572738S

(12) **United States Design Patent**
Giliberti

(10) **Patent No.:** **US D572,738 S**

(45) **Date of Patent:** **** Jul. 8, 2008**

(54) **EQUIPMENT FOR CAR REPAIR SHOP**

D399,850 S * 10/1998 Alvern et al. D15/9.1
D401,602 S * 11/1998 Alvern et al. D15/151
D409,207 S * 5/1999 Alvern et al. D15/9.1
D510,782 S * 10/2005 Boler D32/4

(75) Inventor: **Rosario Giliberti**, Reggio Emilia (IT)

(73) Assignee: **Filcar S.p.A.**, Balla (IT)

(**) Term: **14 Years**

(21) Appl. No.: **29/259,766**

(22) Filed: **May 15, 2006**

(51) **LOC (8) Cl.** **15-09**

(52) **U.S. Cl.** **D15/151**

(58) **Field of Classification Search** D15/9.1,
D15/150, 151, 199; D25/3; D32/4; 141/86,
141/98, 231; 184/6.28, 6.4, 27.1, 27.3, 31,
184/58, 65, 81, 106, 108; 222/389, 608-628;
280/47.23, 47.26

See application file for complete search history.

(56) **References Cited**

U.S. PATENT DOCUMENTS

D91,873 S * 4/1934 Griffin D15/9.1
4,989,291 A * 2/1991 Parent 280/47.19
D322,444 S * 12/1991 Shea D15/150
D342,525 S * 12/1993 Bloemen et al. D15/9.1
5,349,980 A * 9/1994 Spiegel 137/1
5,490,612 A * 2/1996 Coquerel et al. 222/25

* cited by examiner

Primary Examiner—Sandra Snapp

Assistant Examiner—Patricia Palasik

(74) *Attorney, Agent, or Firm*—Ladas and Parry LLP

(57) **CLAIM**

The ornamental design for equipment for a car repair shop,
substantially as shown and described.

DESCRIPTION

FIG. 1 is a perspective view of the present design relating to
an equipment for car repair shop;

FIG. 2 is a front view thereof;

FIG. 3 is a rear view thereof;

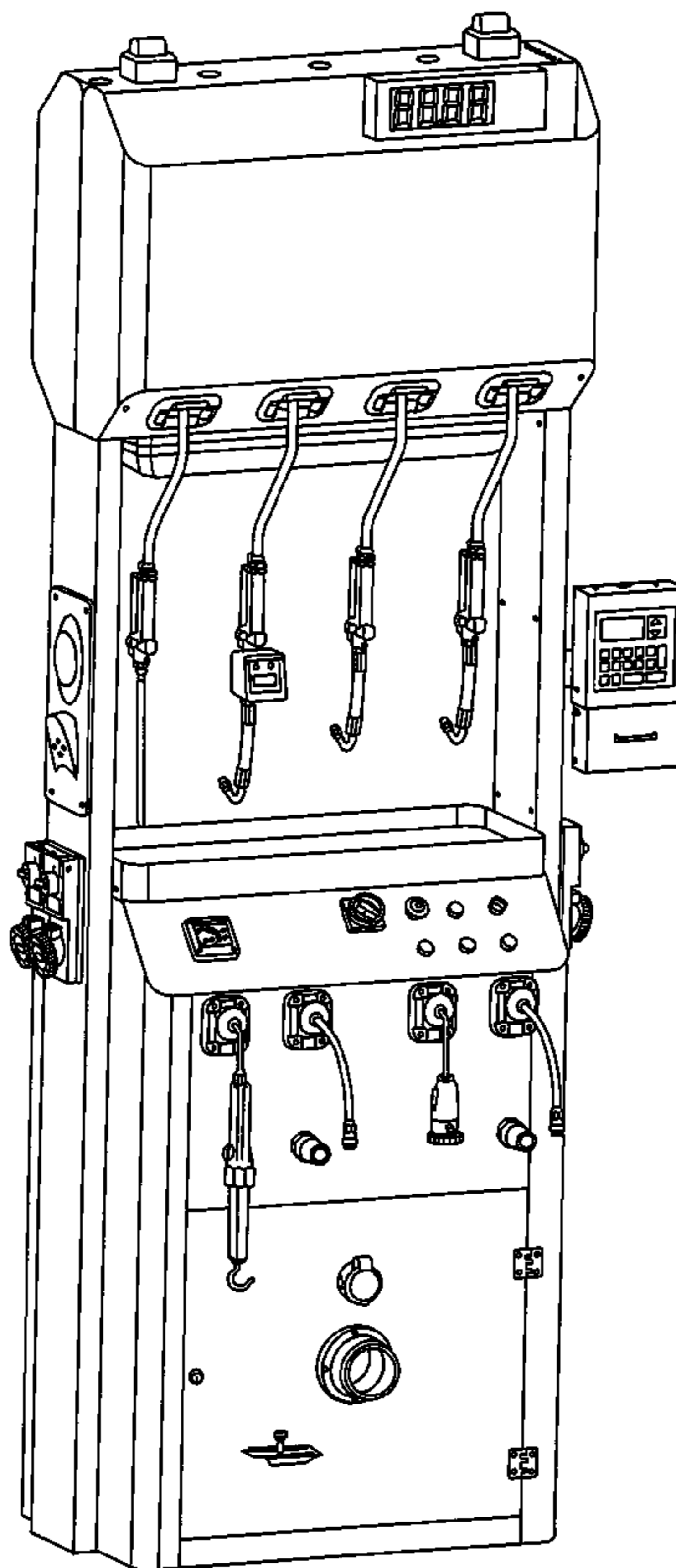
FIG. 4 is a first side view thereof;

FIG. 5 is a second side view thereof;

FIG. 6 is a topside view thereof; and,

FIG. 7 is an underside view thereof.

1 Claim, 6 Drawing Sheets



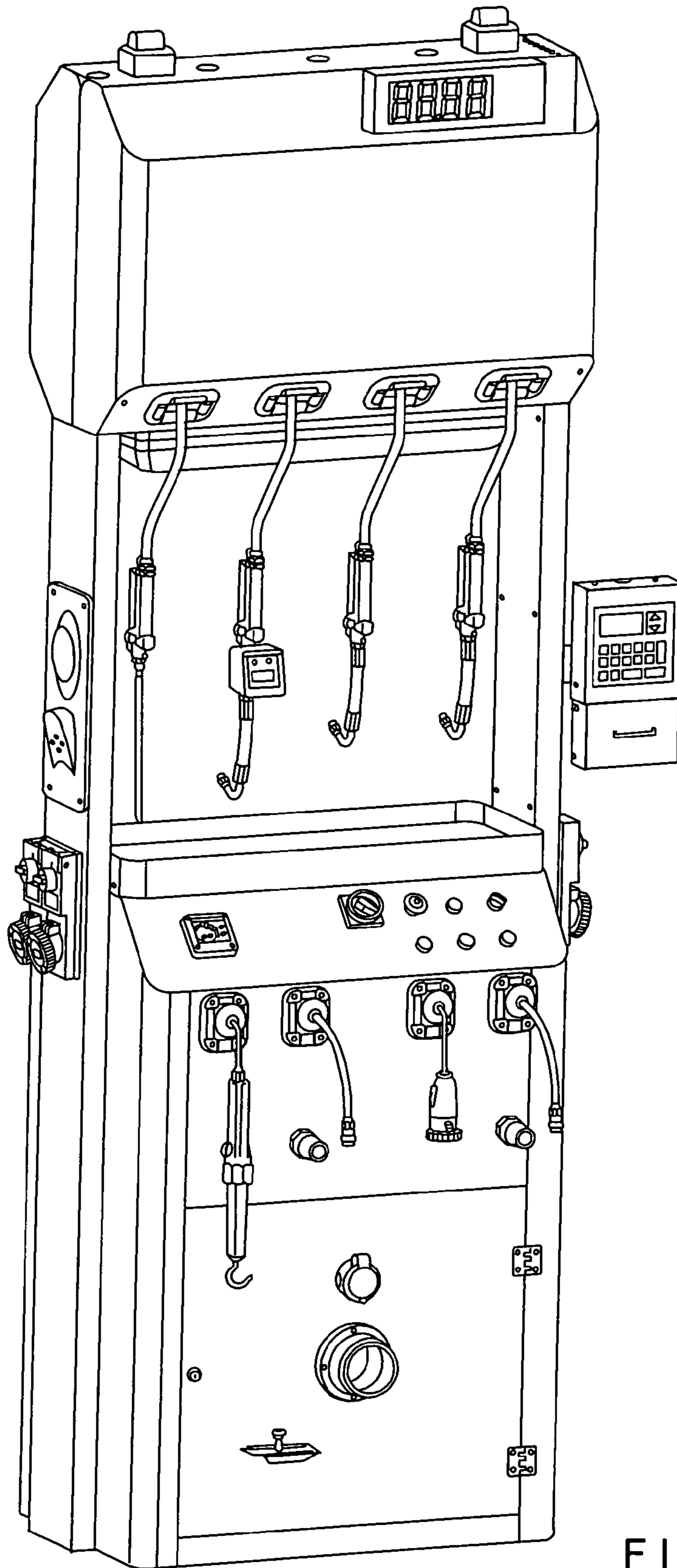


FIG. 1

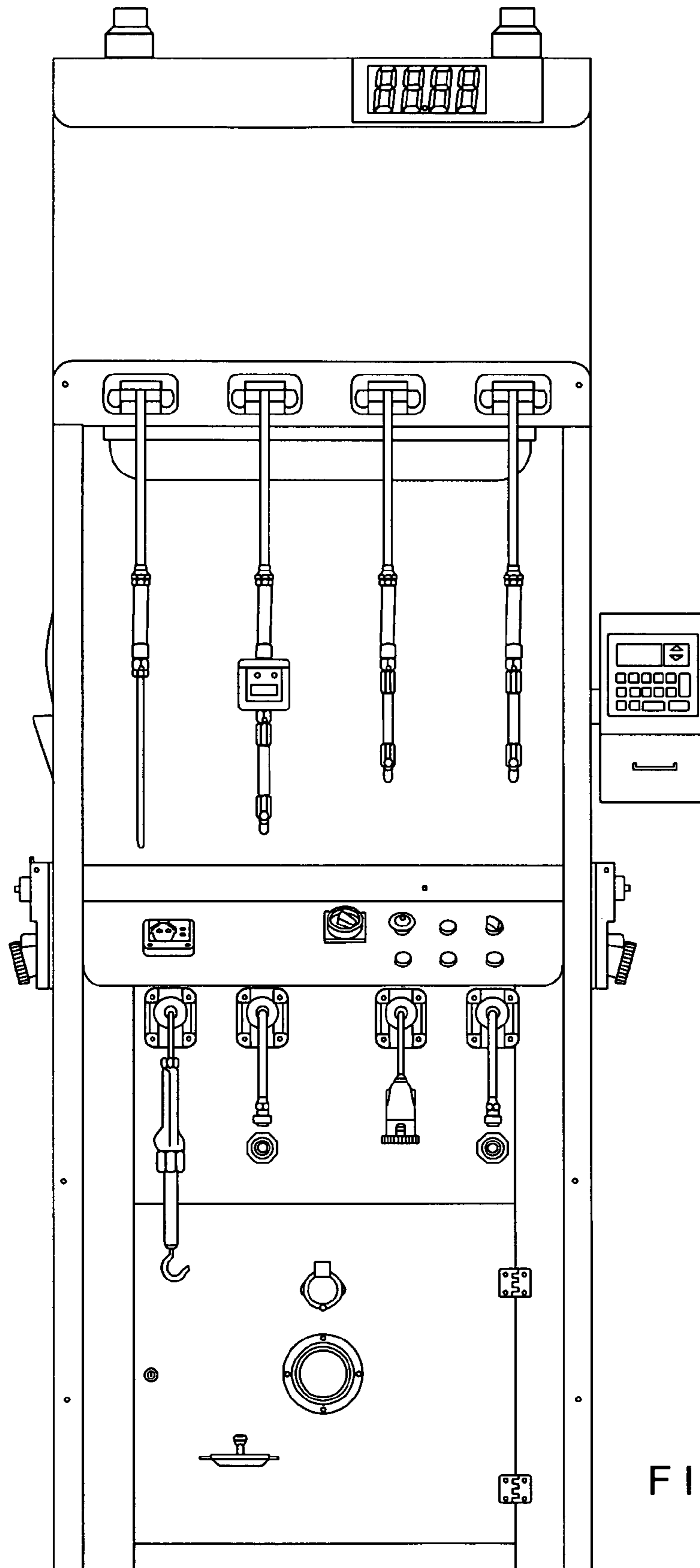


FIG. 2

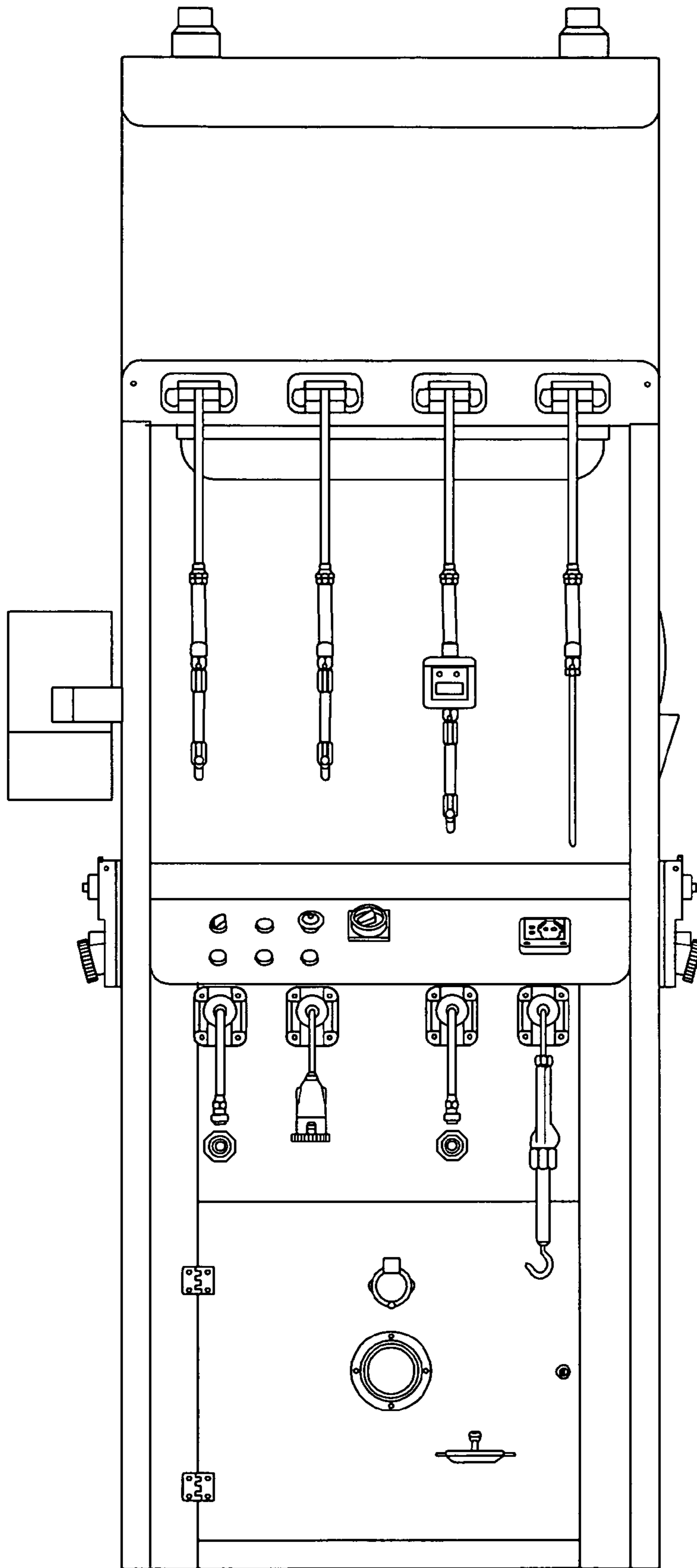


FIG. 3

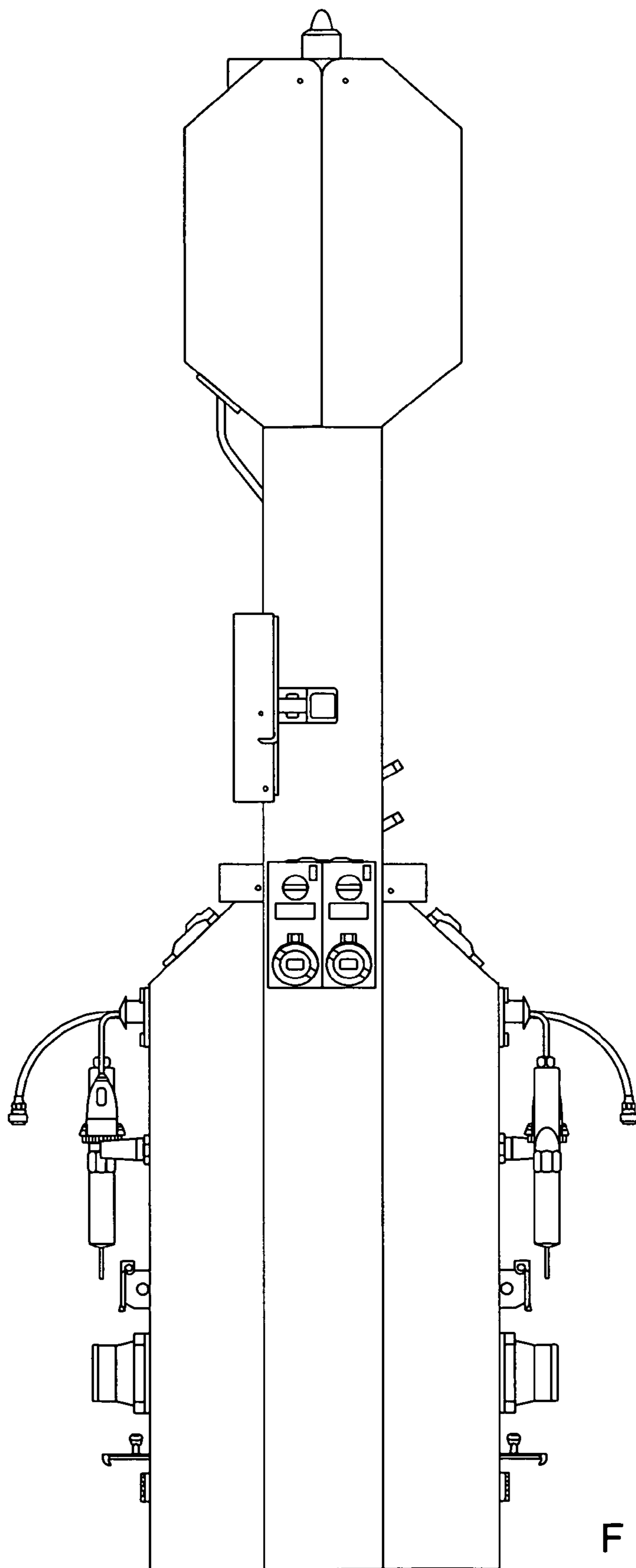


FIG. 4

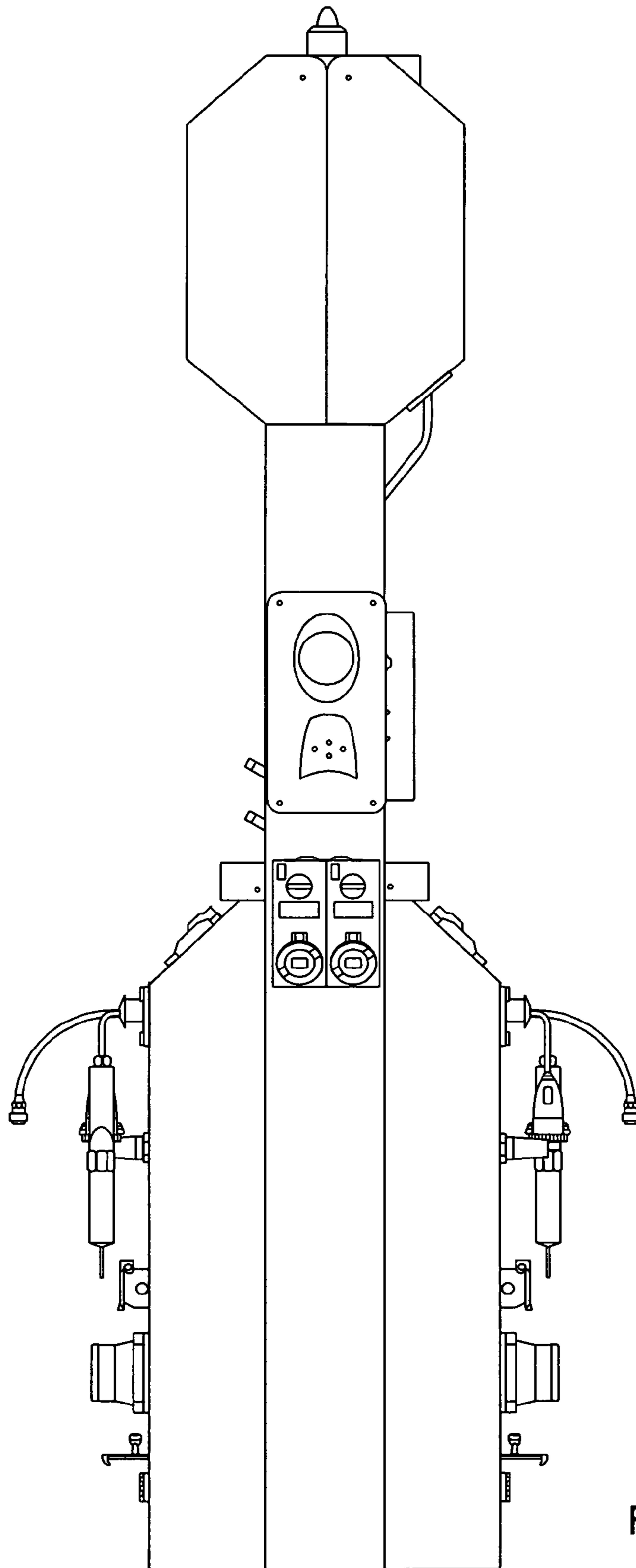


FIG. 5

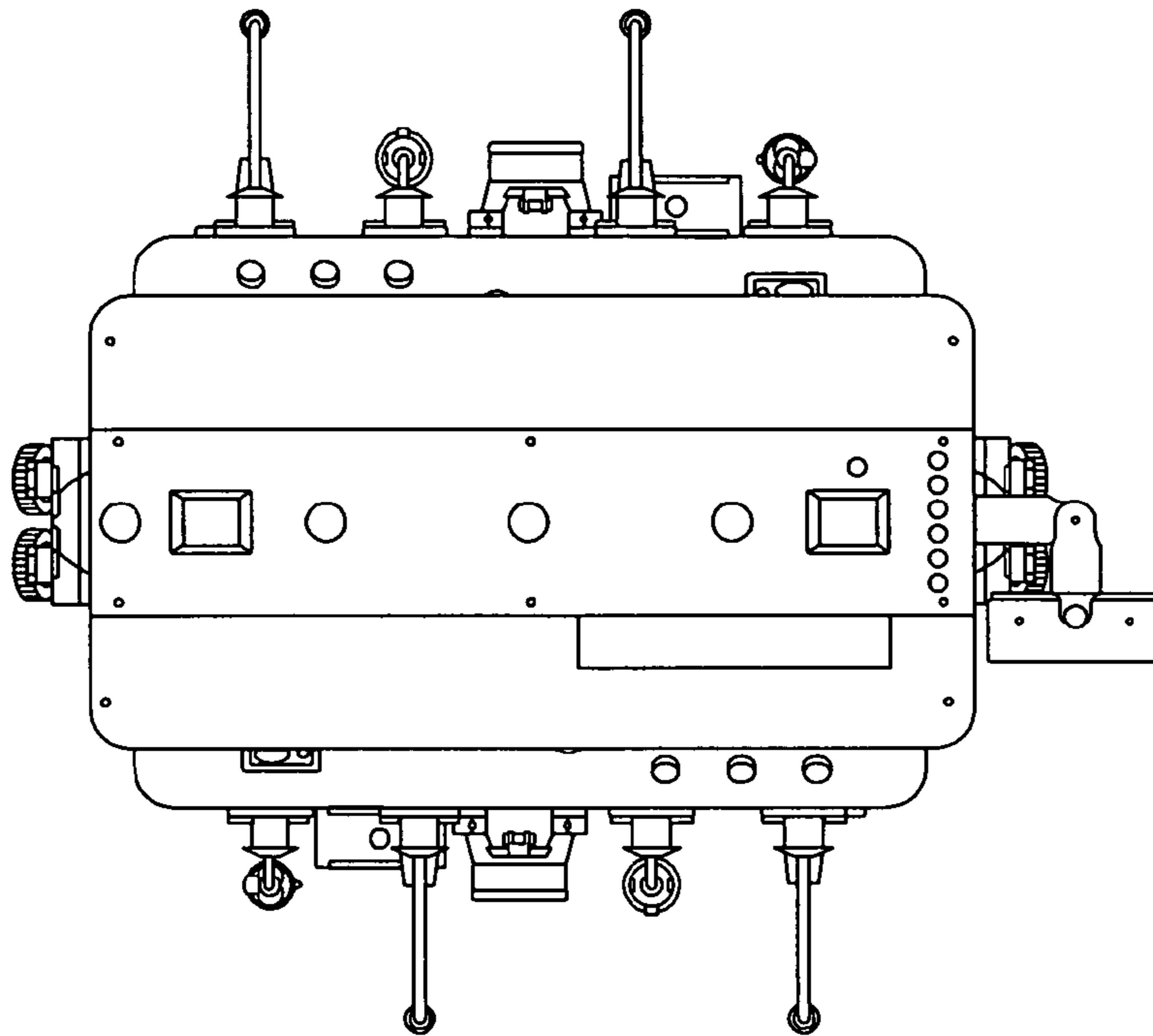


FIG. 6

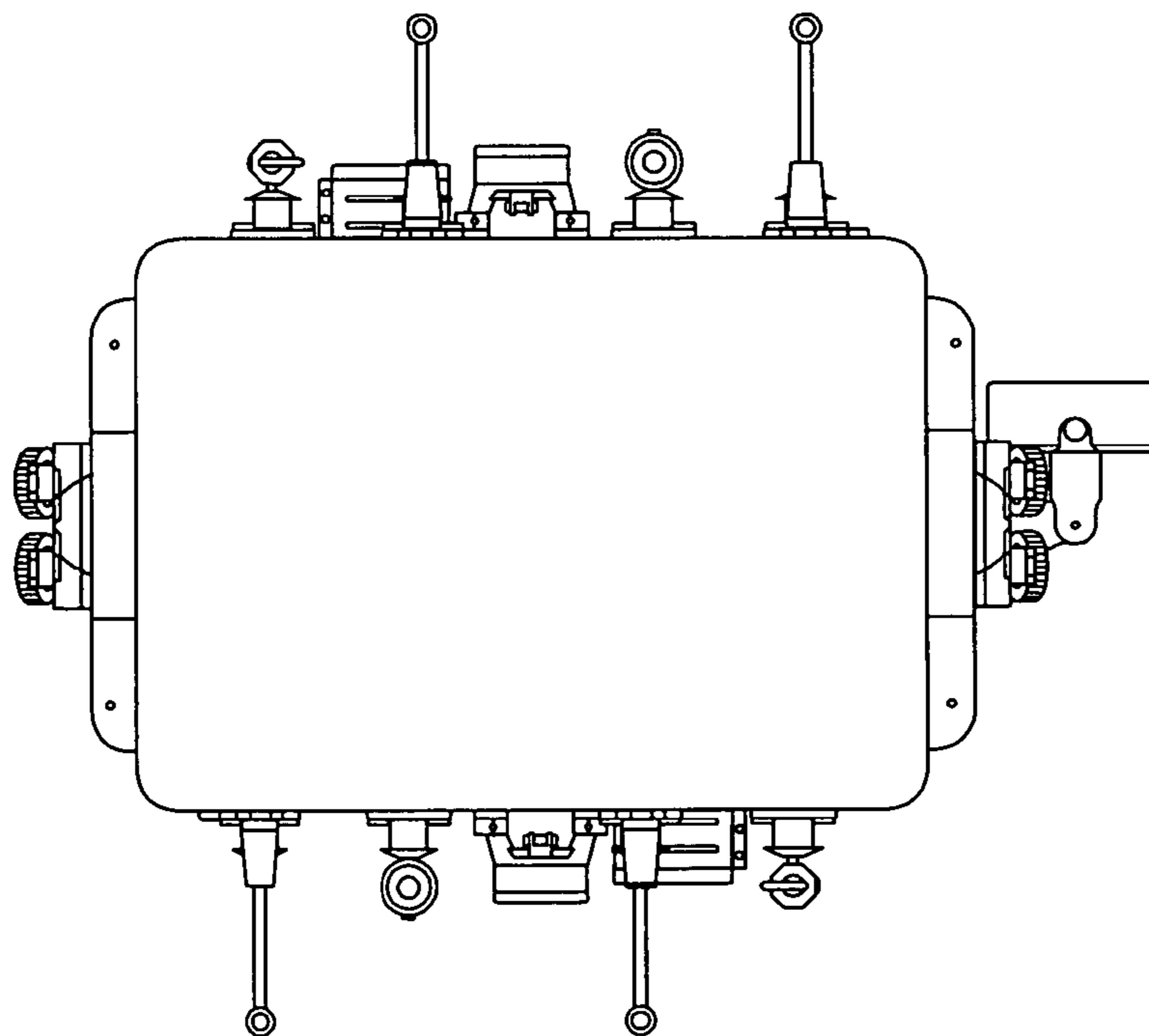


FIG. 7