



US00D572736S

(12) **United States Design Patent**  
**Chiang**

(10) **Patent No.:** **US D572,736 S**  
(45) **Date of Patent:** **\*\* Jul. 8, 2008**

- (54) **CHISEL**
- (75) Inventor: **Chun-Li Chiang**, Taichung (TW)
- (73) Assignee: **Everpads Co., Ltd.**, Taichung (TW)
- (\*\*) Term: **14 Years**
- (21) Appl. No.: **29/282,329**
- (22) Filed: **Jul. 17, 2007**
- (51) **LOC (8) Cl.** ..... **15-09**
- (52) **U.S. Cl.** ..... **D15/139**
- (58) **Field of Classification Search** ..... D8/70;  
D15/138, 139, 140; 175/57, 420.1, 420.2;  
299/104, 106-107; 407/113  
See application file for complete search history.

(56) **References Cited**

U.S. PATENT DOCUMENTS

D413,126	S	*	8/1999	Warren et al.	.....	D15/139
D420,013	S	*	2/2000	Warren et al.	.....	D15/139
D424,075	S	*	5/2000	Streich	.....	D15/140
D429,262	S	*	8/2000	Streich	.....	D15/140
6,371,567	B1	*	4/2002	Sollami	.....	299/104
6,585,327	B2	*	7/2003	Sollami	.....	299/106
D488,170	S	*	4/2004	Sollami	.....	D15/21
D520,035	S	*	5/2006	Kammerer	.....	D15/139

D558,241	S	*	12/2007	Chiang	.....	D15/139
D558,242	S	*	12/2007	Chiang	.....	D15/139
2002/0074851	A1	*	6/2002	Montgomery, Jr.	.....	299/107
2003/0193235	A1	*	10/2003	Sollami	.....	299/106
2007/0052279	A1	*	3/2007	Sollami	.....	299/106

\* cited by examiner

*Primary Examiner*—Sandra Snapp

*Assistant Examiner*—Patricia Palasik

(74) *Attorney, Agent, or Firm*—Pai Patent and Trademark Law Firm; Chao-Chang David Pai

(57) **CLAIM**

The ornamental design for a chisel, as shown.

**DESCRIPTION**

FIG. 1 is a perspective view of a chisel showing my new design;

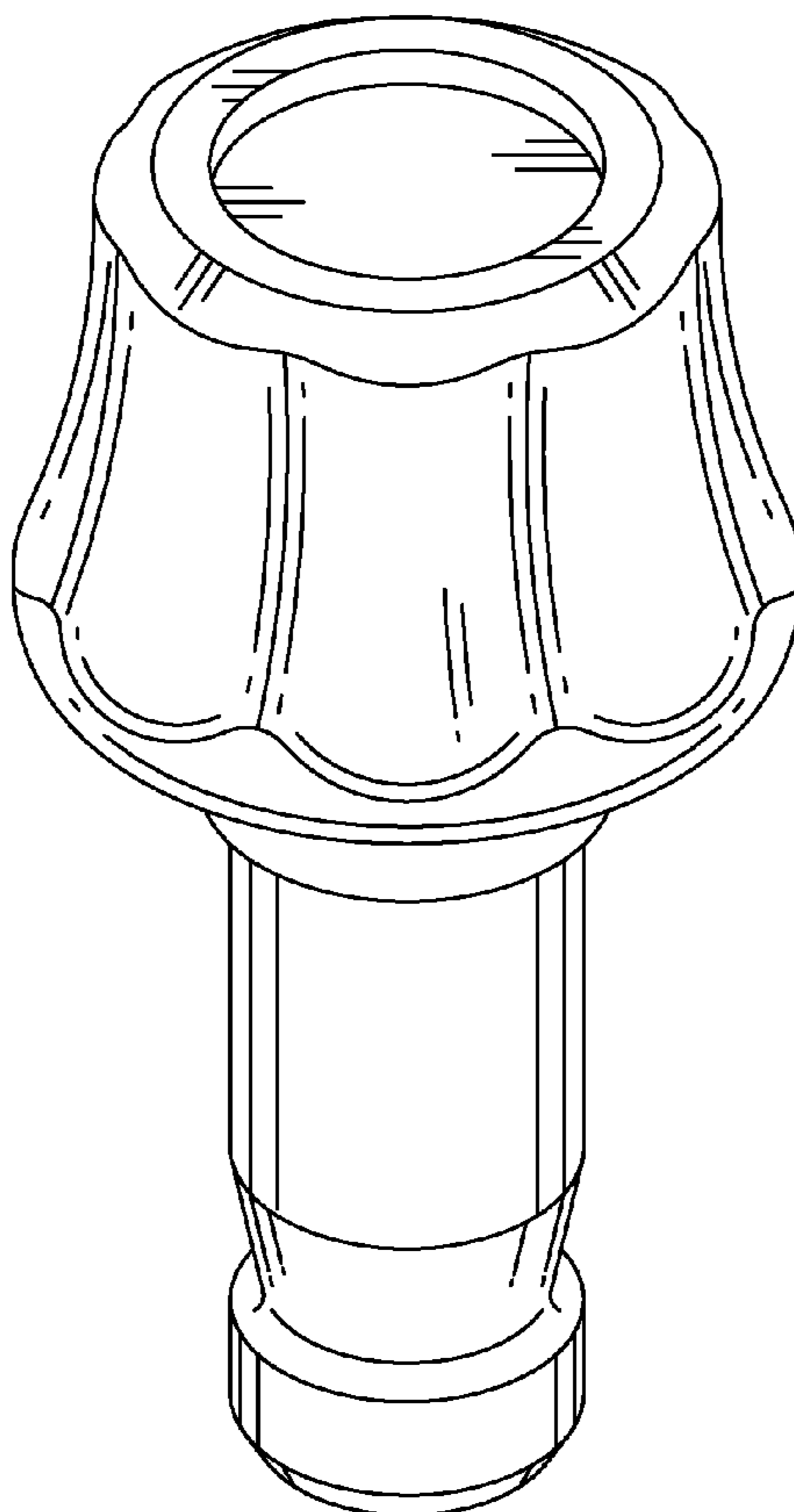
FIG. 2 is a front view thereof, the rear view being a mirror image of the front view;

FIG. 3 is a left side view thereof, the right side view being a mirror image of the left side view;

FIG. 4 is a top view thereof; and,

FIG. 5 is a bottom view thereof.

**1 Claim, 4 Drawing Sheets**



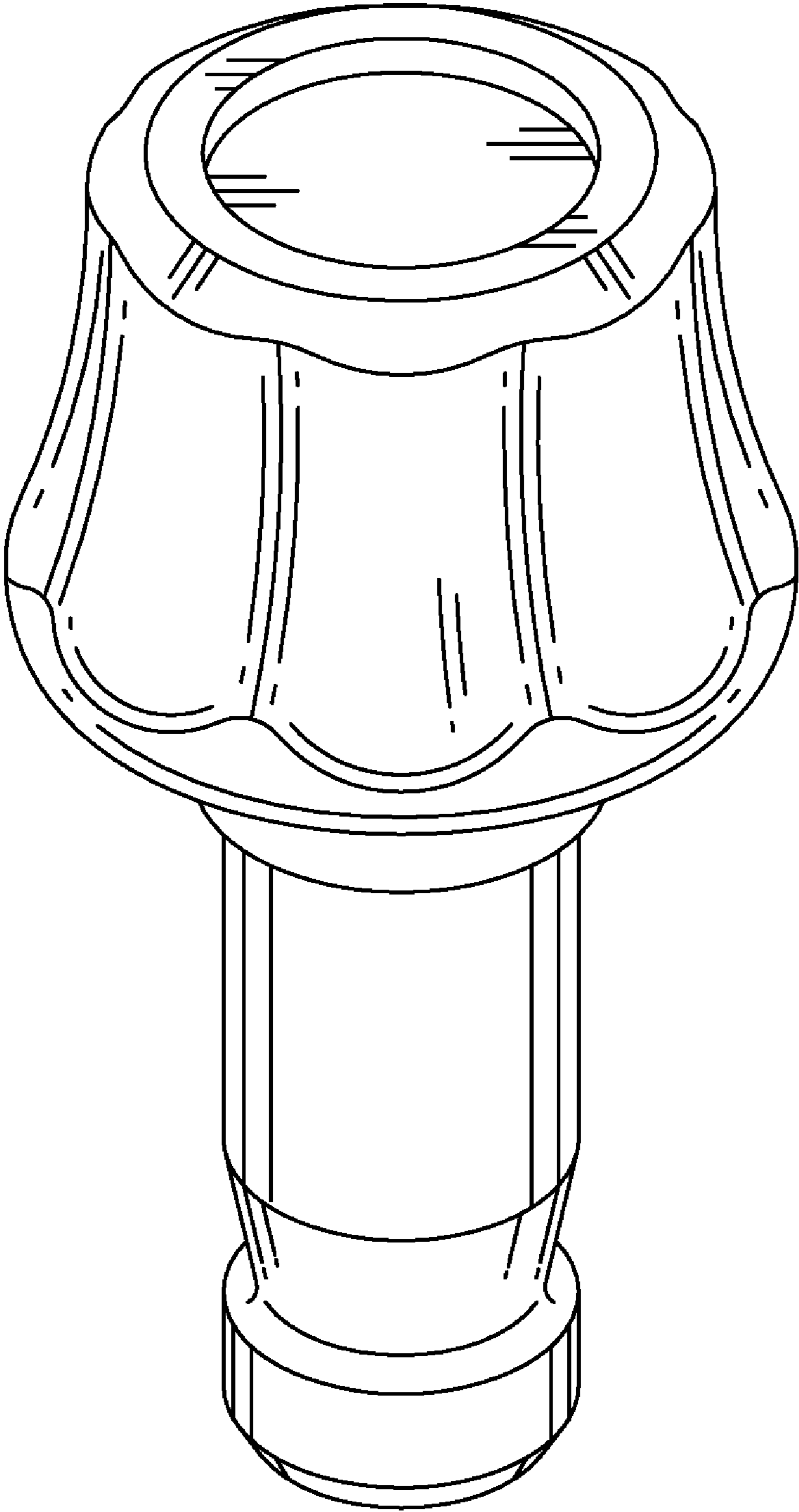


Fig. 1

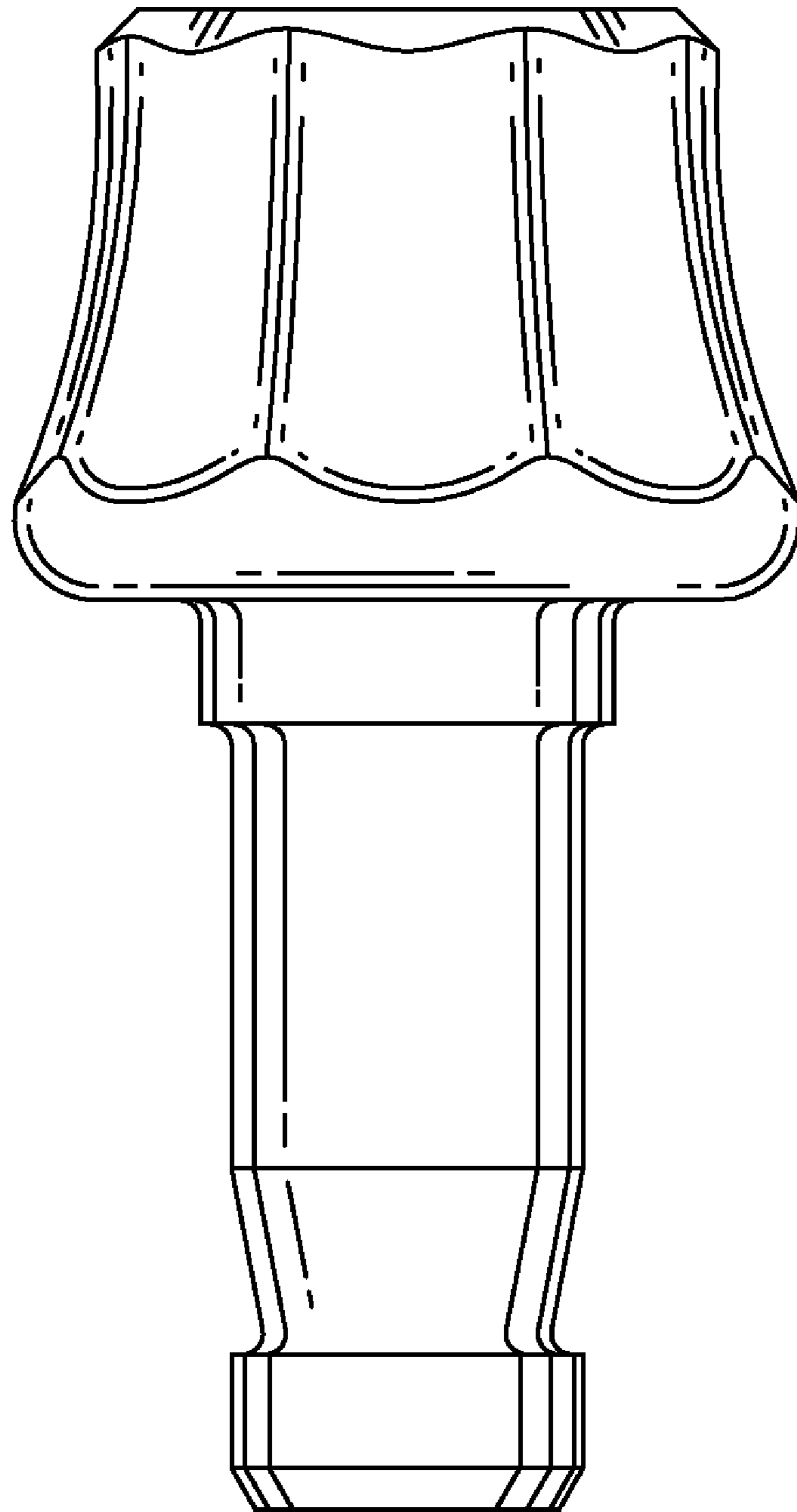


Fig. 2

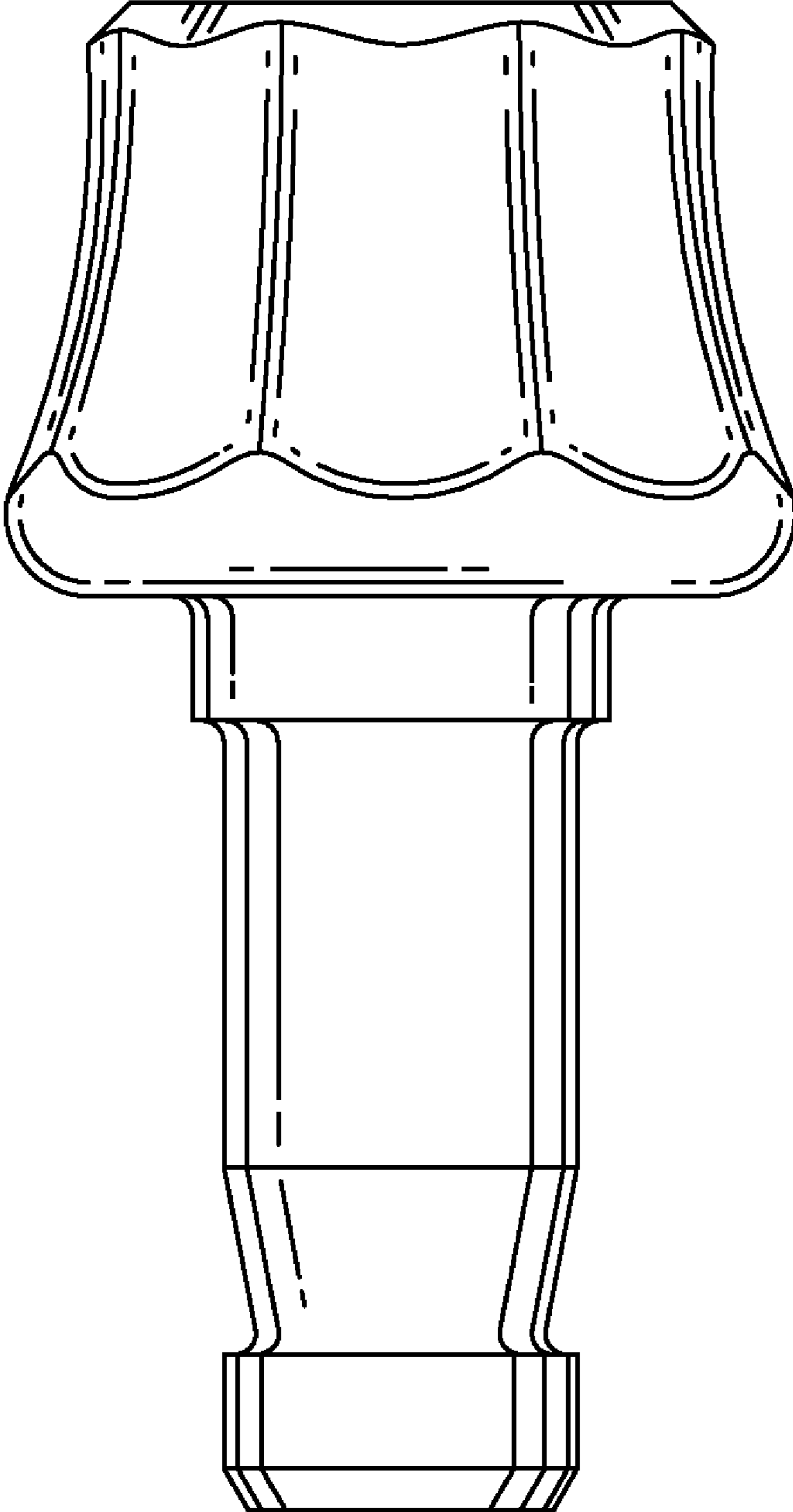


Fig. 3

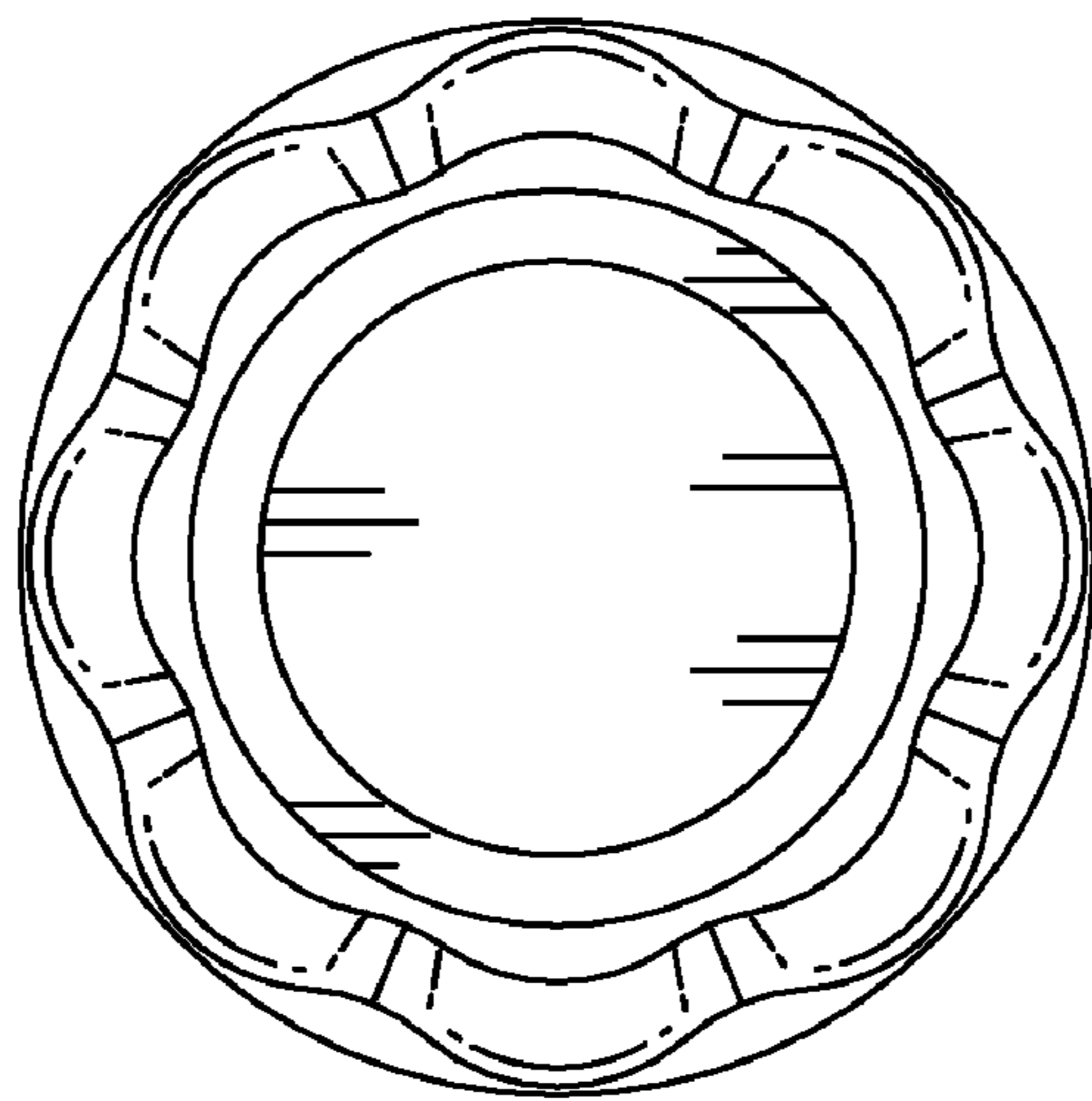


Fig. 4

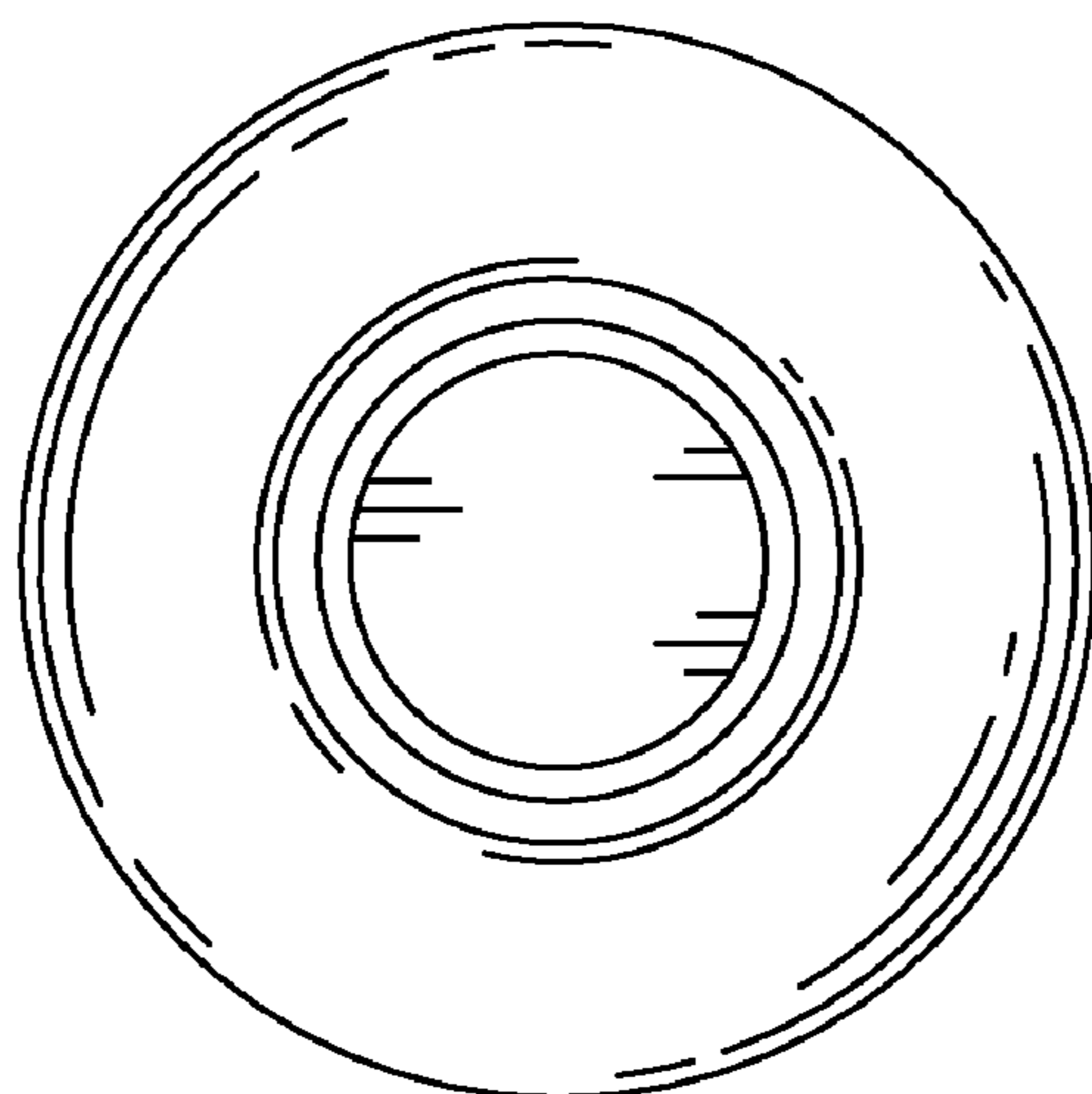


Fig. 5