



US00D572735S

(12) **United States Design Patent**  
**Kammerer**

(10) **Patent No.:** **US D572,735 S**

(45) **Date of Patent:** **\*\* Jul. 8, 2008**

(54) **CHISEL-TIP FOR A CUTTER-BIT**  
(75) Inventor: **Karl Kammerer**, Fluorn-Winzeln (DE)  
(73) Assignee: **Betek Bergbau- und Hartmetalltechnik**, Aichhalden (DE)

6,199,956 B1 3/2001 Kammerer  
6,508,516 B1 \* 1/2003 Kammerer ..... 299/104  
D520,035 S \* 5/2006 Kammerer ..... D15/139  
2005/0082899 A1 \* 4/2005 Levankovsky ..... 299/107  
2005/0212345 A1 \* 9/2005 Sleep et al. .... 299/104  
2006/0125307 A1 \* 6/2006 Sollami ..... 299/107

(\*\*) Term: **14 Years**  
(21) Appl. No.: **29/259,087**  
(22) Filed: **May 2, 2006**

**FOREIGN PATENT DOCUMENTS**

DE 34 42 546 A1 5/1986  
DE 35 10 072 A1 9/1986  
DE 37 12 427 A1 10/1988

\* cited by examiner

(51) **LOC (8) Cl.** ..... **15-09**  
(52) **U.S. Cl.** ..... **D15/139**  
(58) **Field of Classification Search** ..... D8/8,  
D8/70; D15/138, 139; 175/57, 409, 410,  
175/411, 420.1, 420.2, 427; 299/79.1, 104,  
299/106-107; 407/113-117

*Primary Examiner*—Antoine D. Davis  
*Assistant Examiner*—Patricia Palasik  
(74) *Attorney, Agent, or Firm*—Jansson & Shupe & Munger Ltd.

See application file for complete search history.

(57) **CLAIM**

The ornamental design for a chisel-tip for a cutter-bit, as shown and described.

(56) **References Cited**

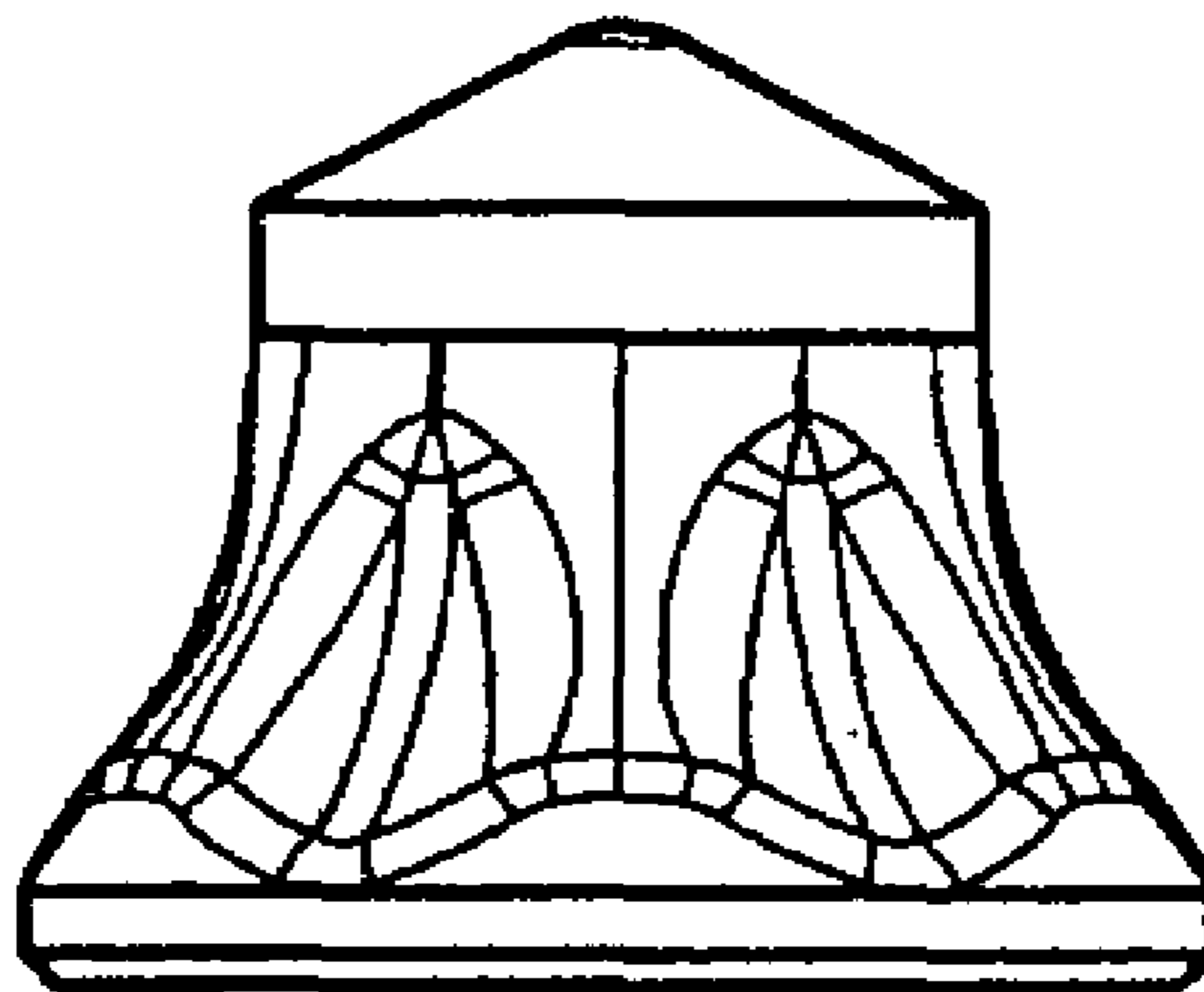
**U.S. PATENT DOCUMENTS**

3,796,464 A \* 3/1974 Hansen et al. .... 299/104  
5,161,859 A 11/1992 Larsson et al.  
5,219,209 A 6/1993 Prizzi et al.  
D347,232 S \* 5/1994 Massa et al. .... D15/139  
5,324,098 A 6/1994 Massa et al.  
5,484,191 A 1/1996 Sollami  
5,551,760 A 9/1996 Sollami  
D387,072 S \* 12/1997 Ojanen ..... D15/139  
5,873,423 A 2/1999 Briese  
5,931,542 A 8/1999 Britzke et al.

**DESCRIPTION**

FIG. 1 is a bottom view;  
FIG. 2 is a top view;  
FIG. 3 is a front elevation view;  
FIG. 4 is a side elevation view;  
FIG. 5 is a rear elevation view; and,  
FIG. 6 is a side elevation view.

**1 Claim, 1 Drawing Sheet**



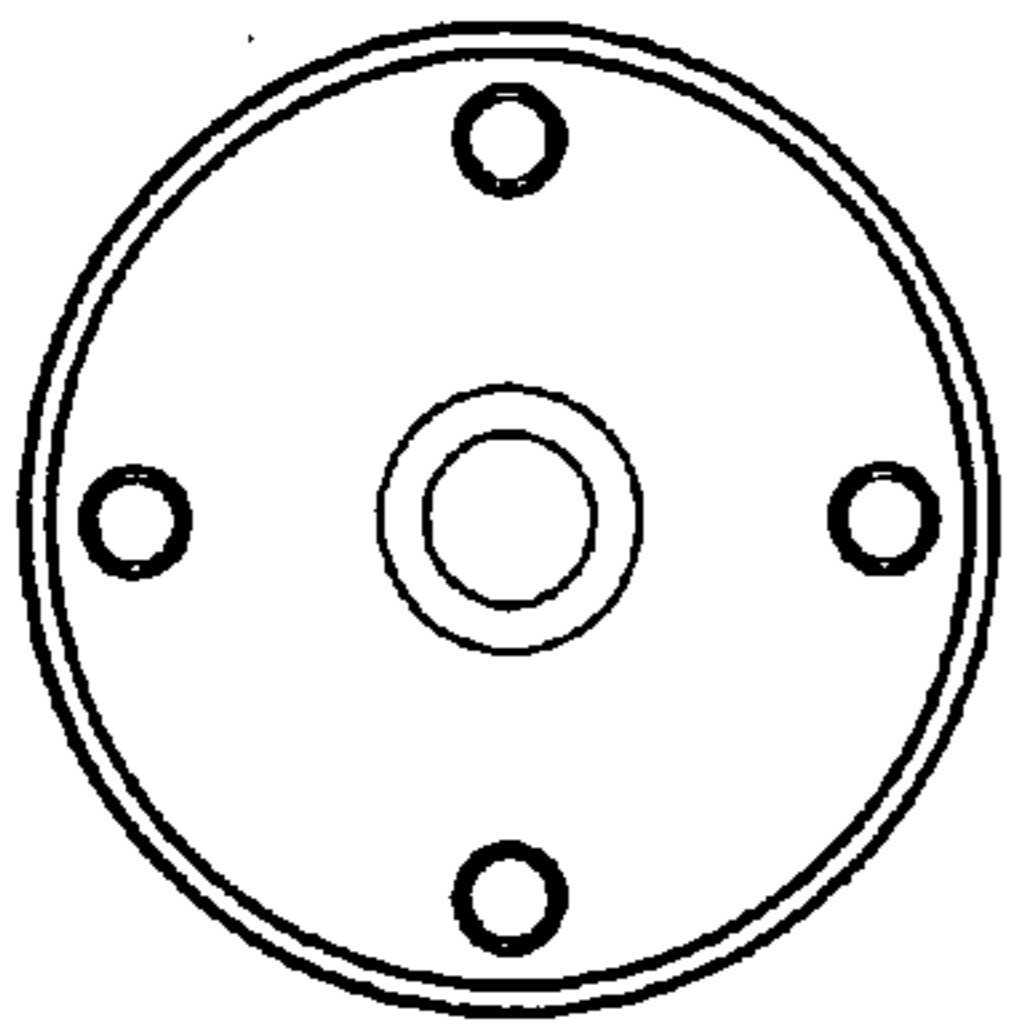


Fig. 1

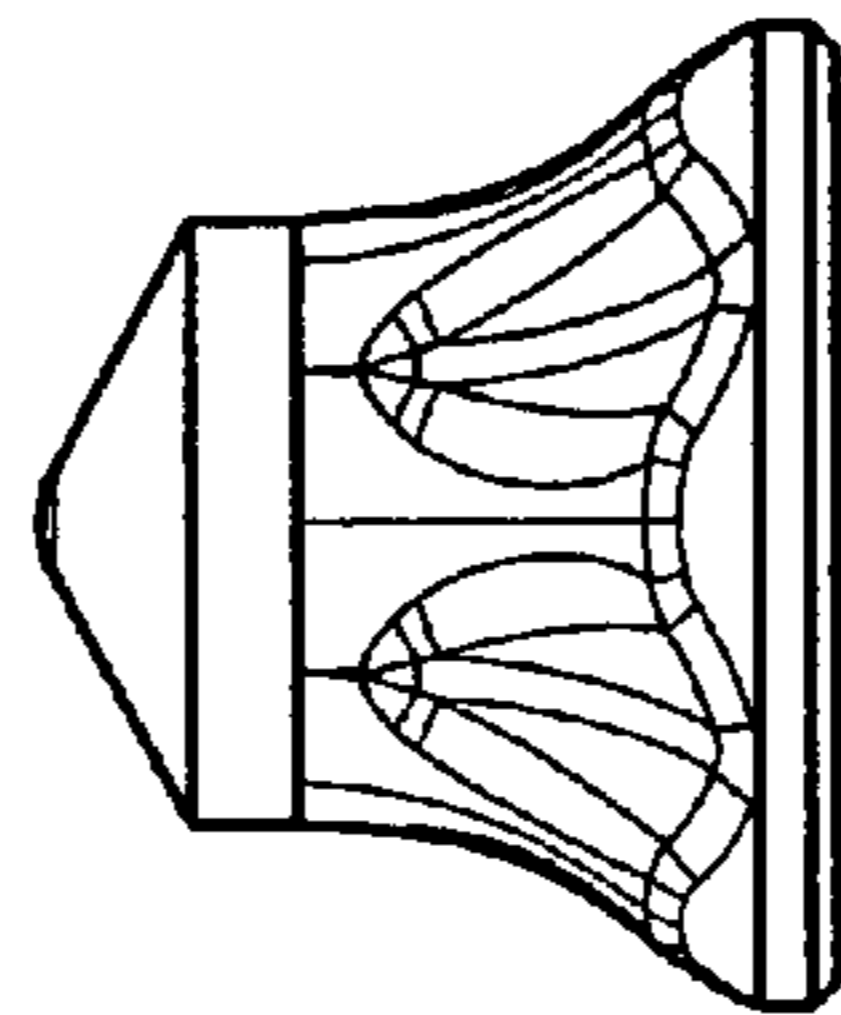


Fig. 2

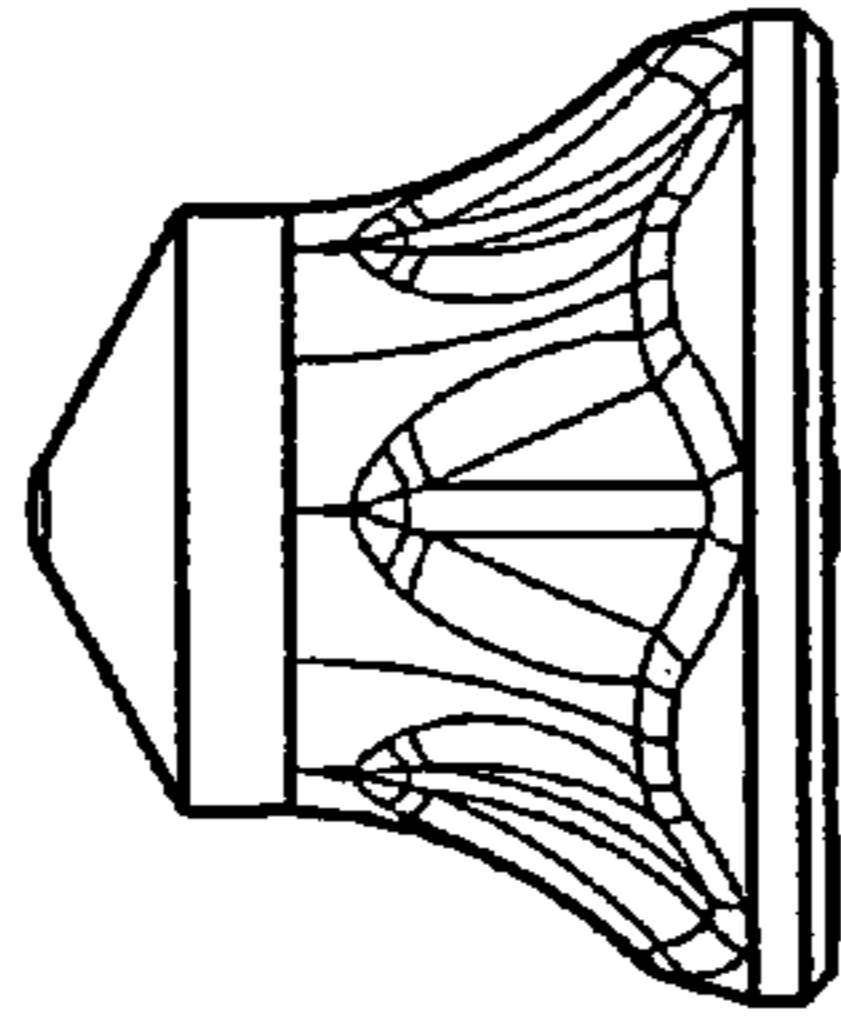


Fig. 3

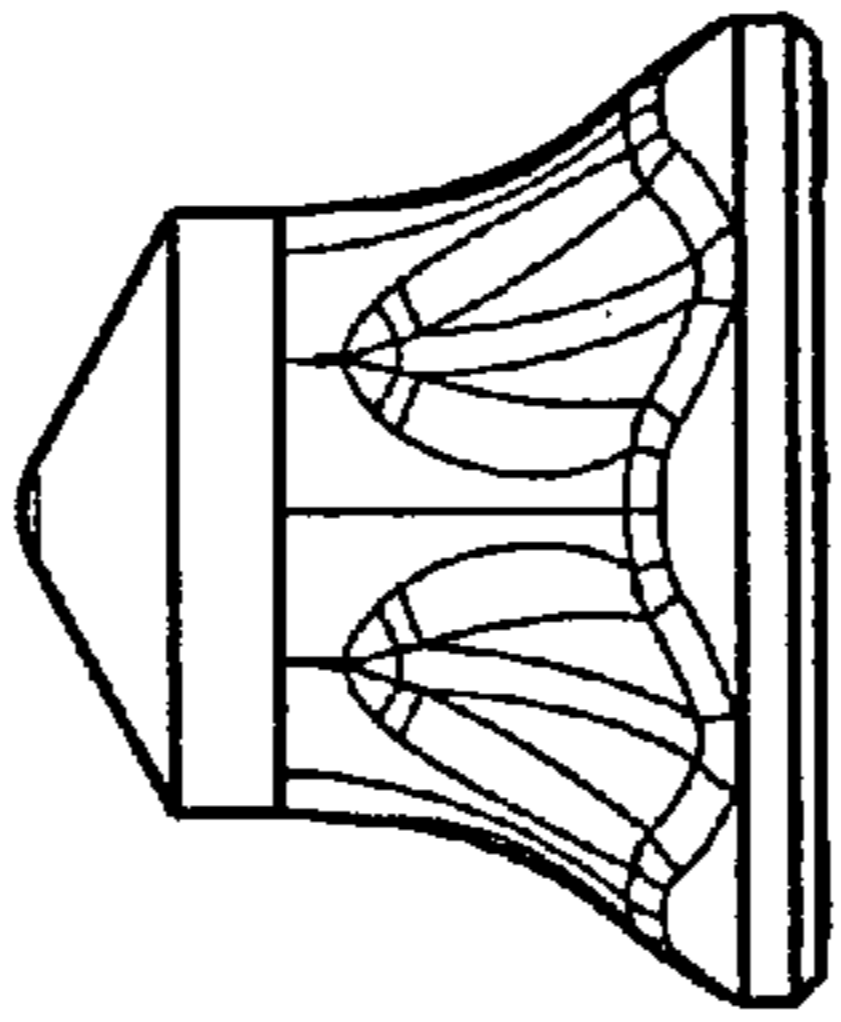


Fig. 4

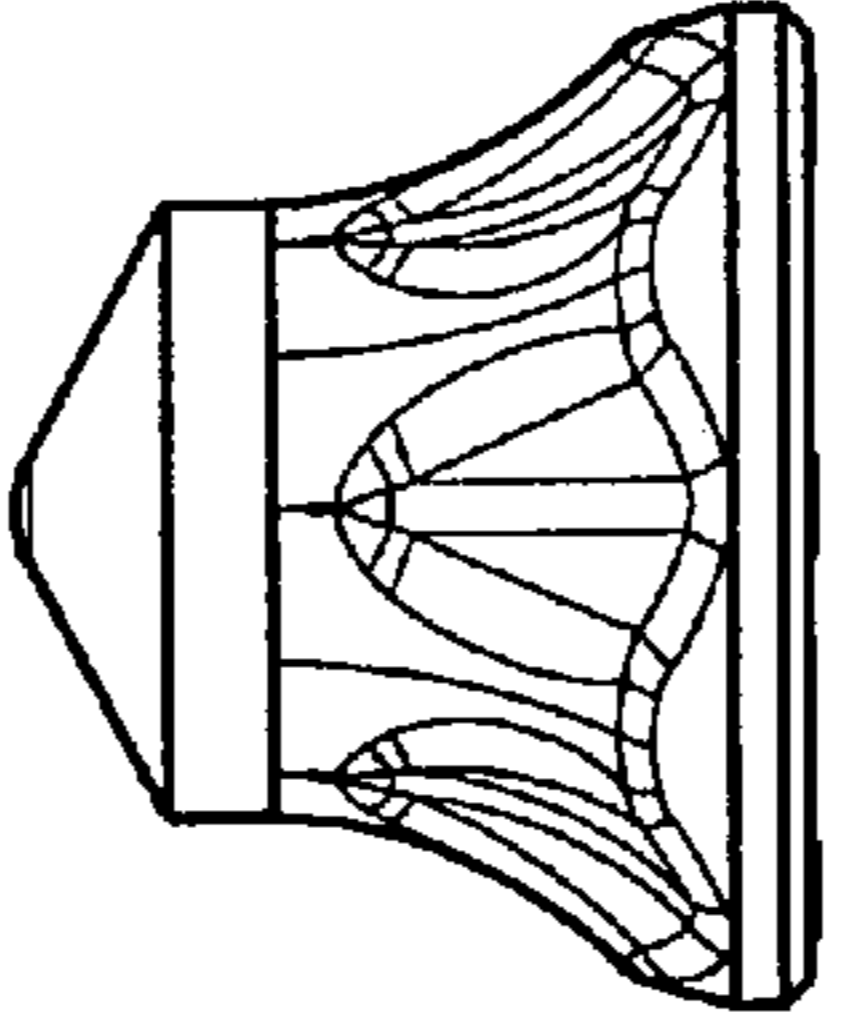


Fig. 5

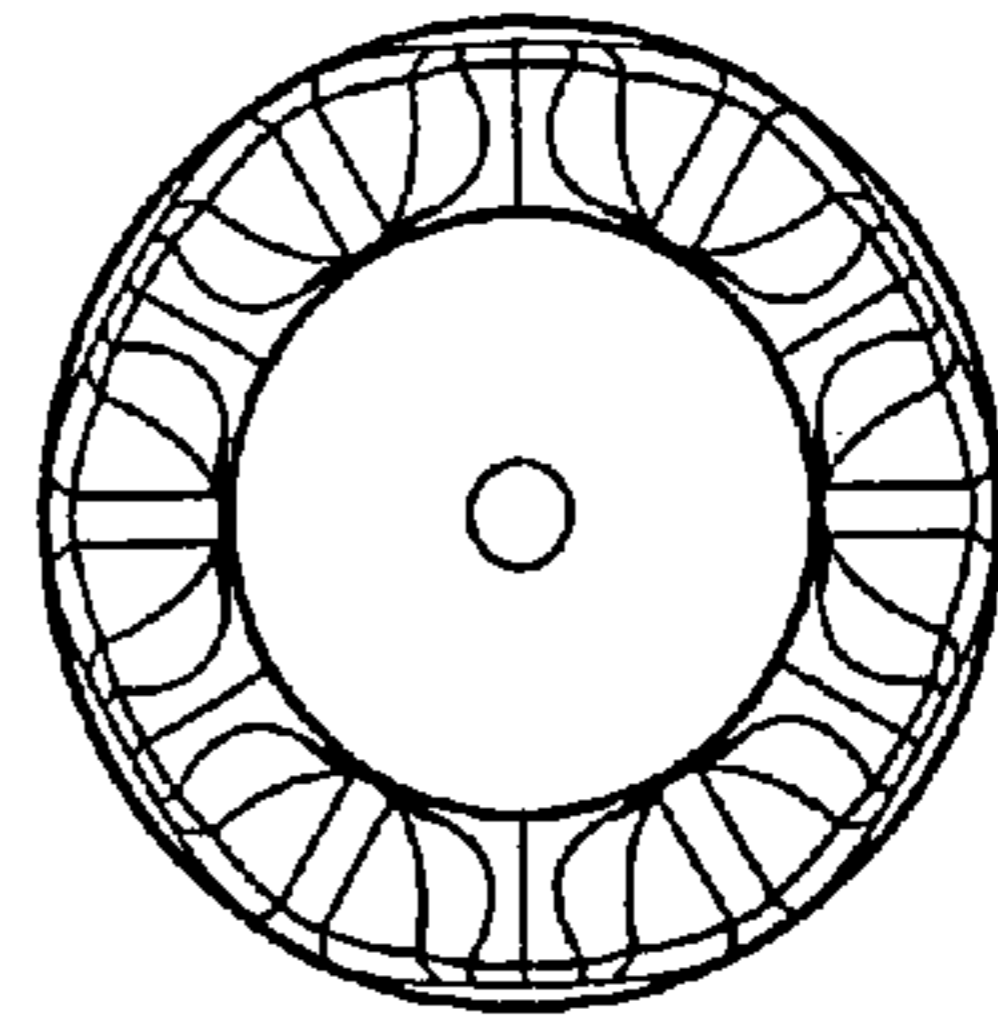


Fig. 6