



US00D572734S

(12) **United States Design Patent**
Kraskov

(10) **Patent No.:** **US D572,734 S**

(45) **Date of Patent:** **** Jul. 8, 2008**

(54) **PLASTERING NOZZLE**

(76) **Inventor:** **Leonid Kraskov**, 52 Water Street,
Auburn New South Wales 2144 (AU)

(**) **Term:** **14 Years**

(21) **Appl. No.:** **29/260,669**

(22) **Filed:** **May 30, 2006**

(30) **Foreign Application Priority Data**

Dec. 1, 2005 (AU) 15340/05

(51) **LOC (8) Cl.** **15-08**

(52) **U.S. Cl.** **D15/138**

(58) **Field of Classification Search** D15/135,
D15/136, 199, 137, 138; D8/2, 14.1, 29.1,
D8/45, 70; 74/53; 92/73, 129, 132; 239/375,
239/376, 379, 434.5, 526, 600; 417/234,
417/539, 900

See application file for complete search history.

(56) **References Cited**

U.S. PATENT DOCUMENTS

1,770,011 A * 7/1930 Poston 239/427
2,555,238 A * 5/1951 McNulty et al. 239/434.5
2,887,274 A * 5/1959 Swenson 239/371
3,025,803 A * 3/1962 Swarthout 92/73
4,195,780 A * 4/1980 Inglis 239/73
5,069,390 A * 12/1991 Stern et al. 239/320

D335,942 S * 5/1993 Furcron D32/32
D354,545 S * 1/1995 Haruch D23/213
D359,058 S * 6/1995 Carkhuff D15/144
D370,921 S * 6/1996 Hendrickson D15/136
D433,603 S * 11/2000 Kohls D8/2
6,626,129 B2 * 9/2003 Schrader 119/479
2002/0180100 A1 * 12/2002 Speier et al. 264/219
2003/0150624 A1 * 8/2003 Rummel 169/43
2004/0256484 A1 * 12/2004 Joseph et al. 239/302
2005/0127208 A1 * 6/2005 Kaligian et al. 239/432

* cited by examiner

Primary Examiner—Sandra Snapp

Assistant Examiner—Patricia Palasik

(74) *Attorney, Agent, or Firm*—Ladas and Parry LLP

(57) **CLAIM**

The ornamental design for a plastering nozzle, as shown.

DESCRIPTION

FIG. 1 is a Front Left Perspective View showing my new design;

FIG. 2 is a Left Side View thereof;

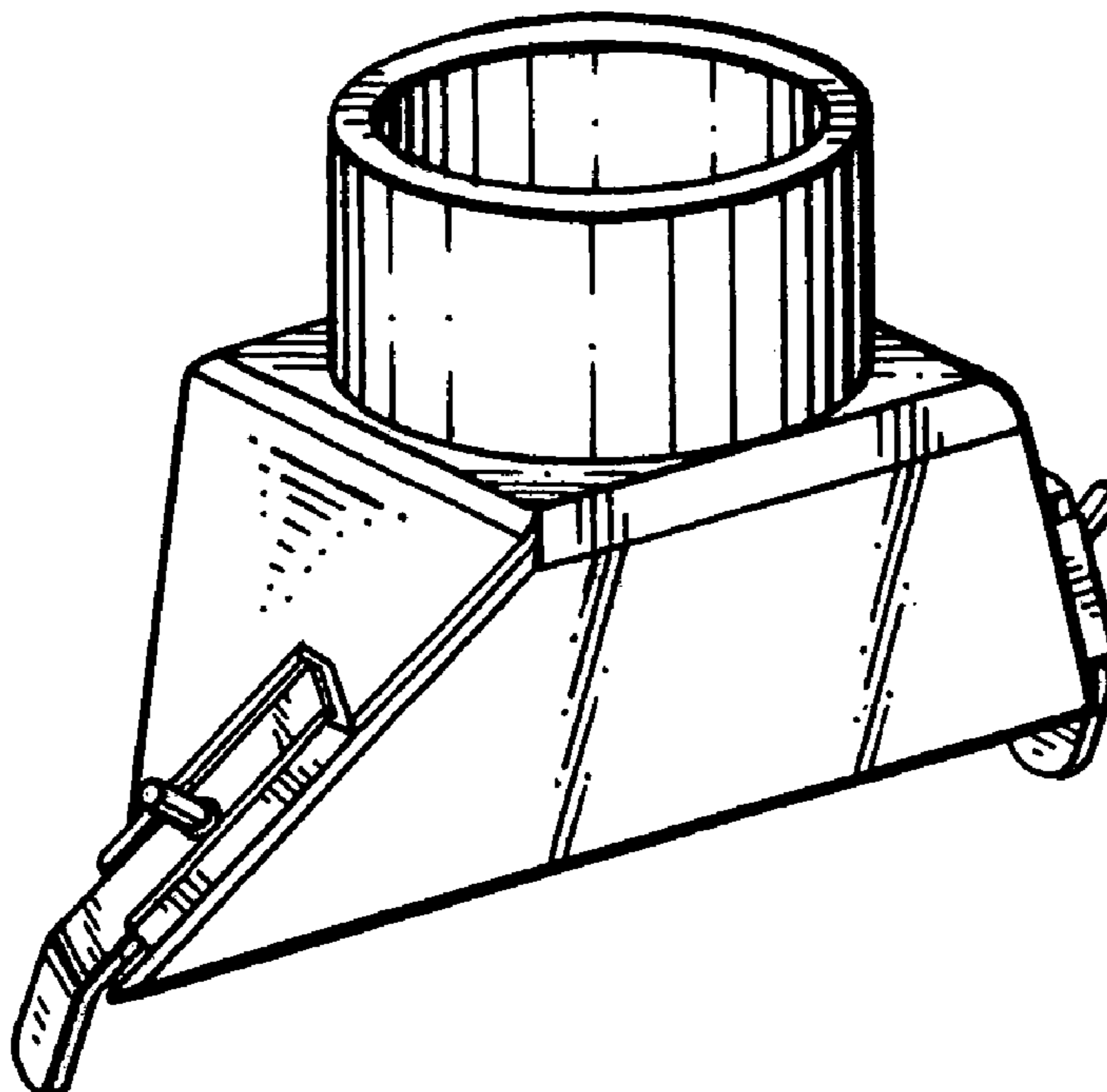
FIG. 3 is a Bottom View thereof;

FIG. 4 is a End View thereof;

FIG. 5 is a Top View thereof; and,

FIG. 6 is a Right Side Perspective View.

1 Claim, 3 Drawing Sheets



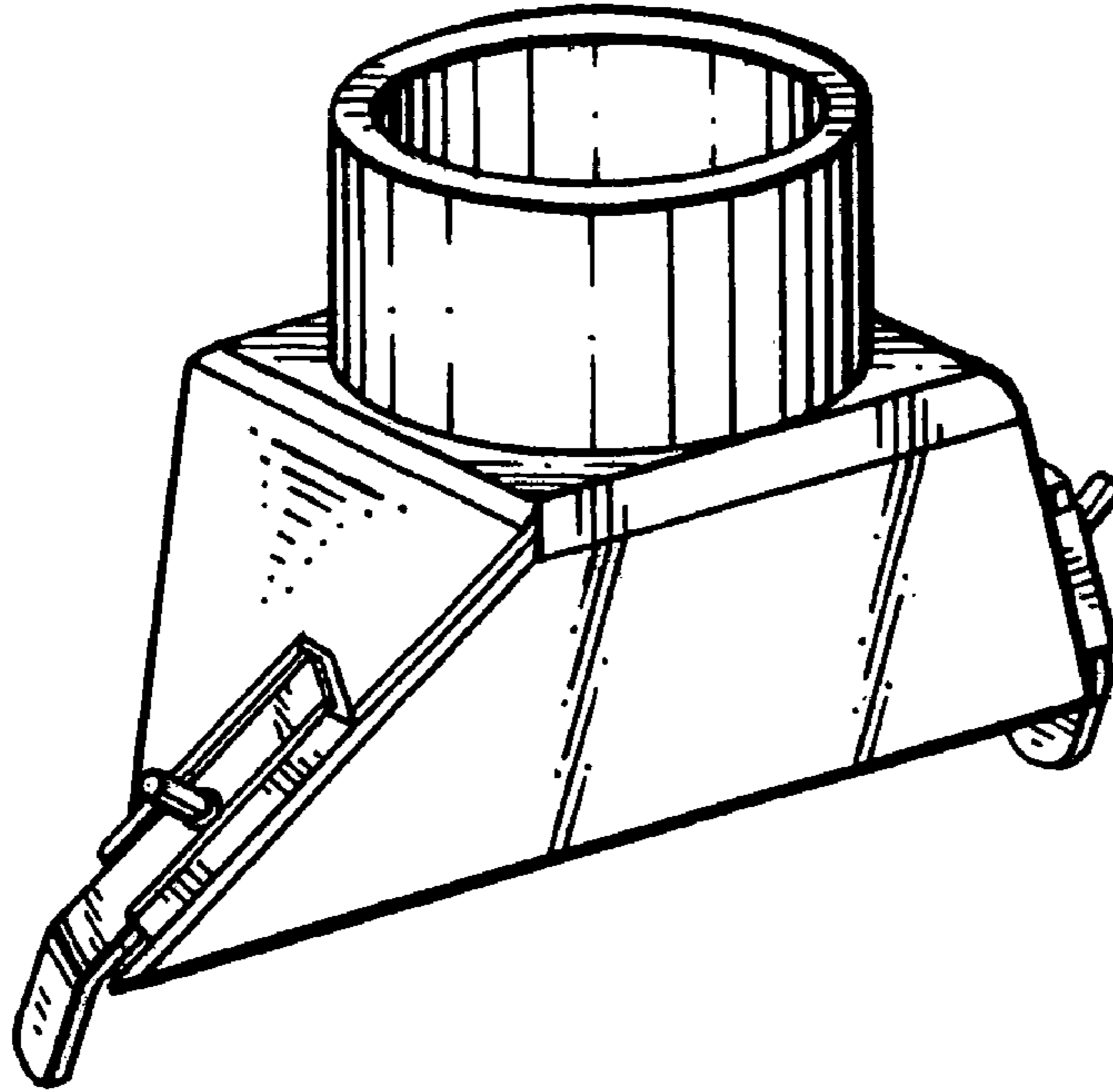


FIG. 1

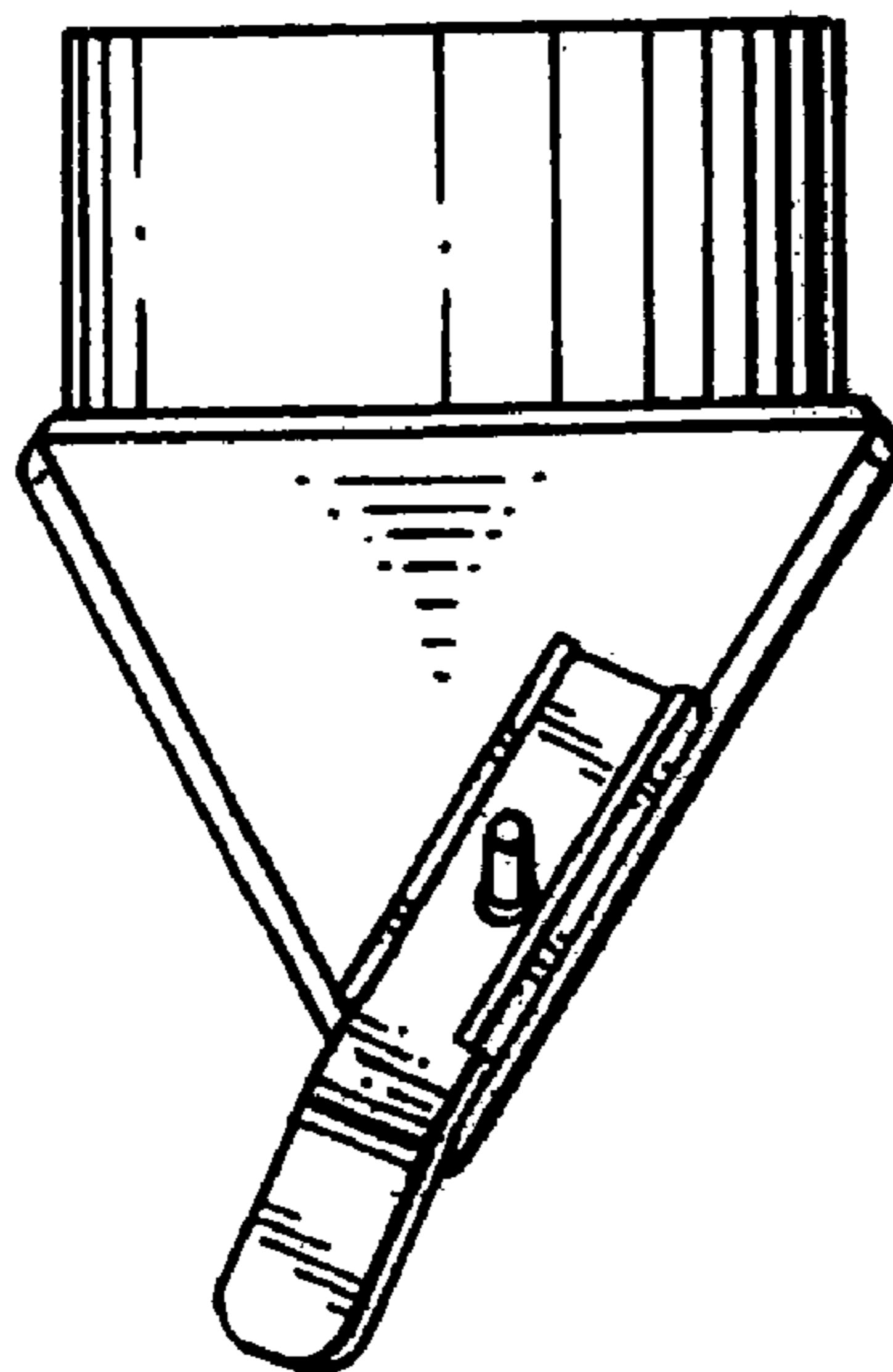


FIG. 2

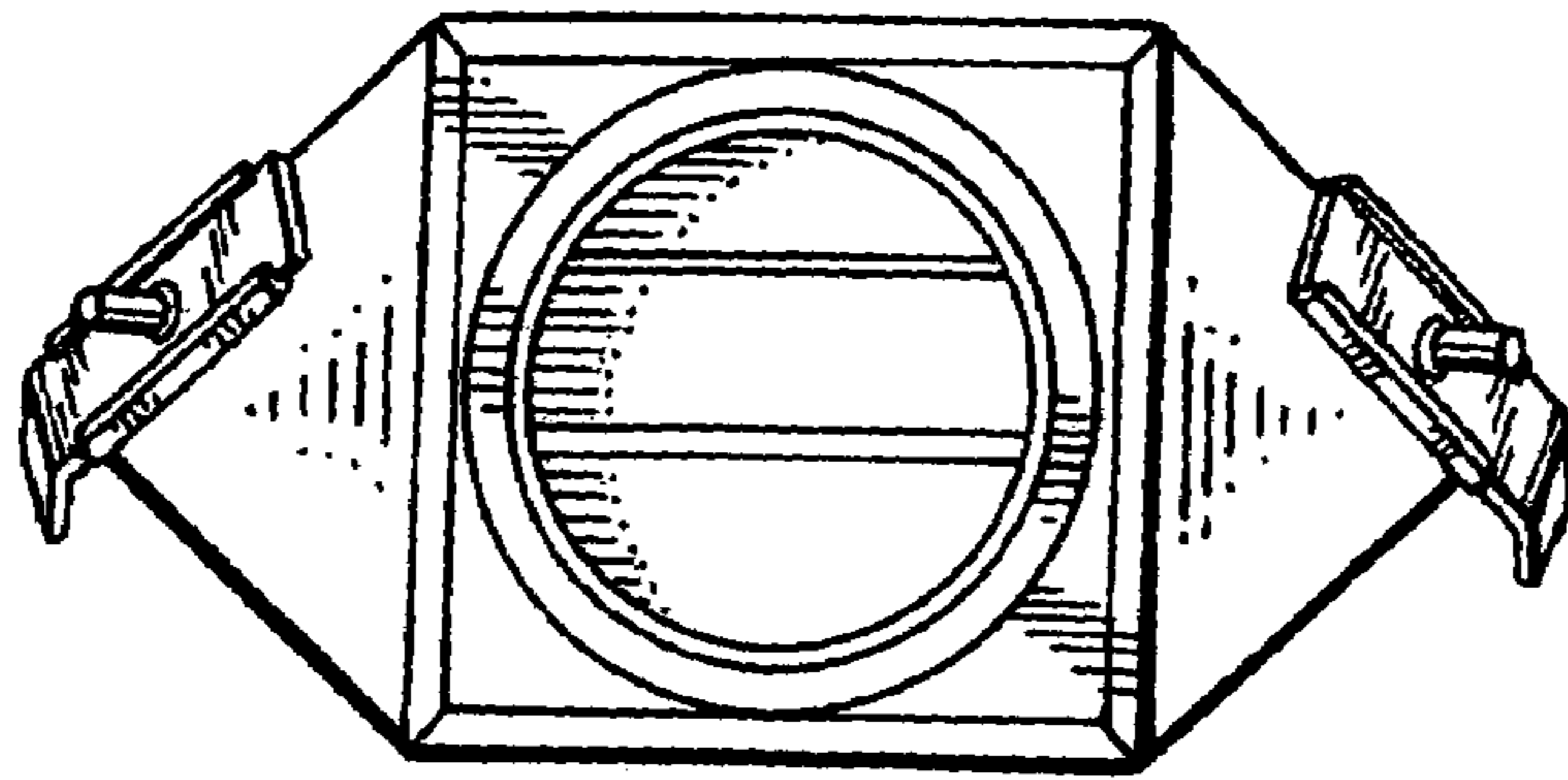


FIG. 3

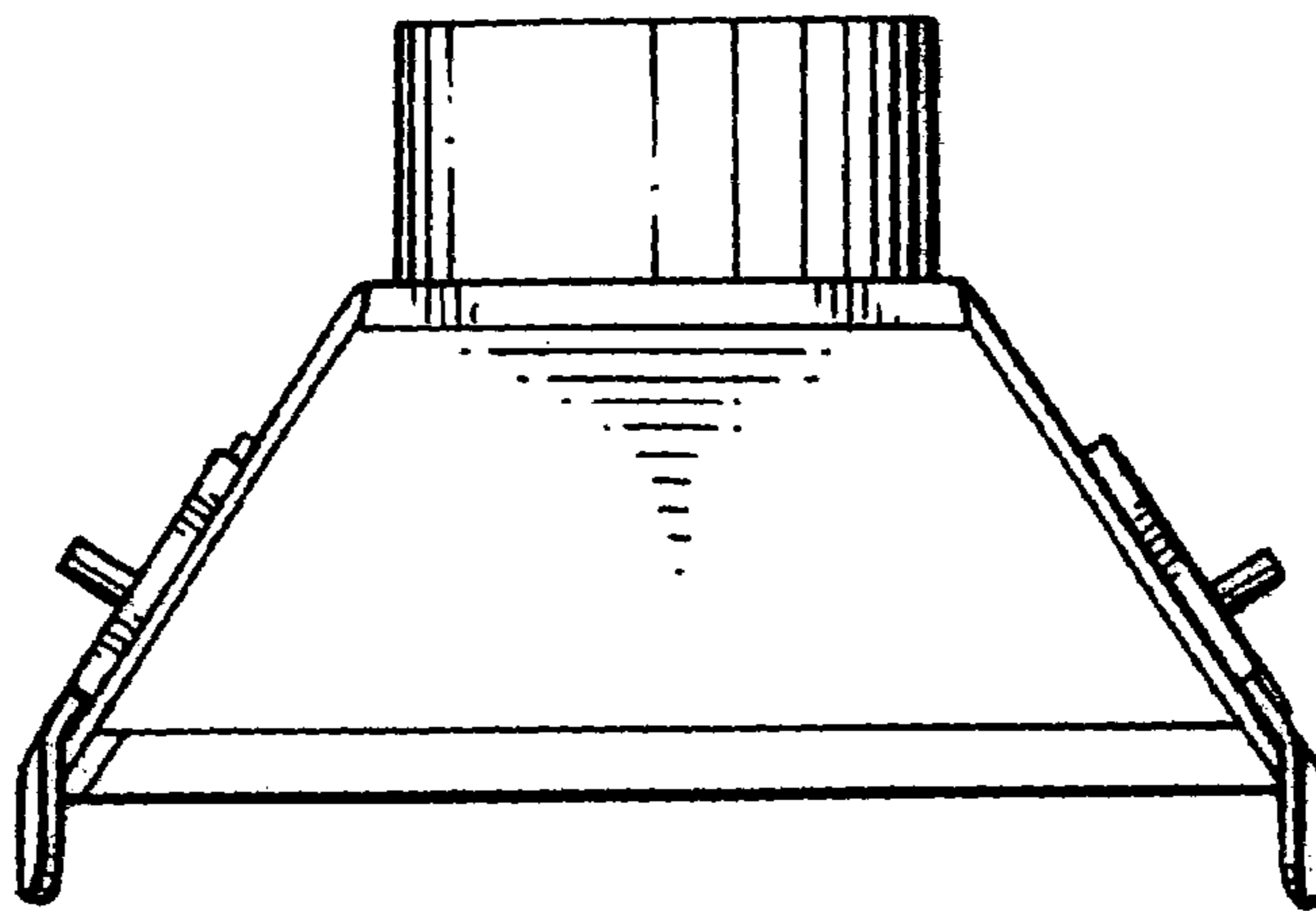


FIG. 4

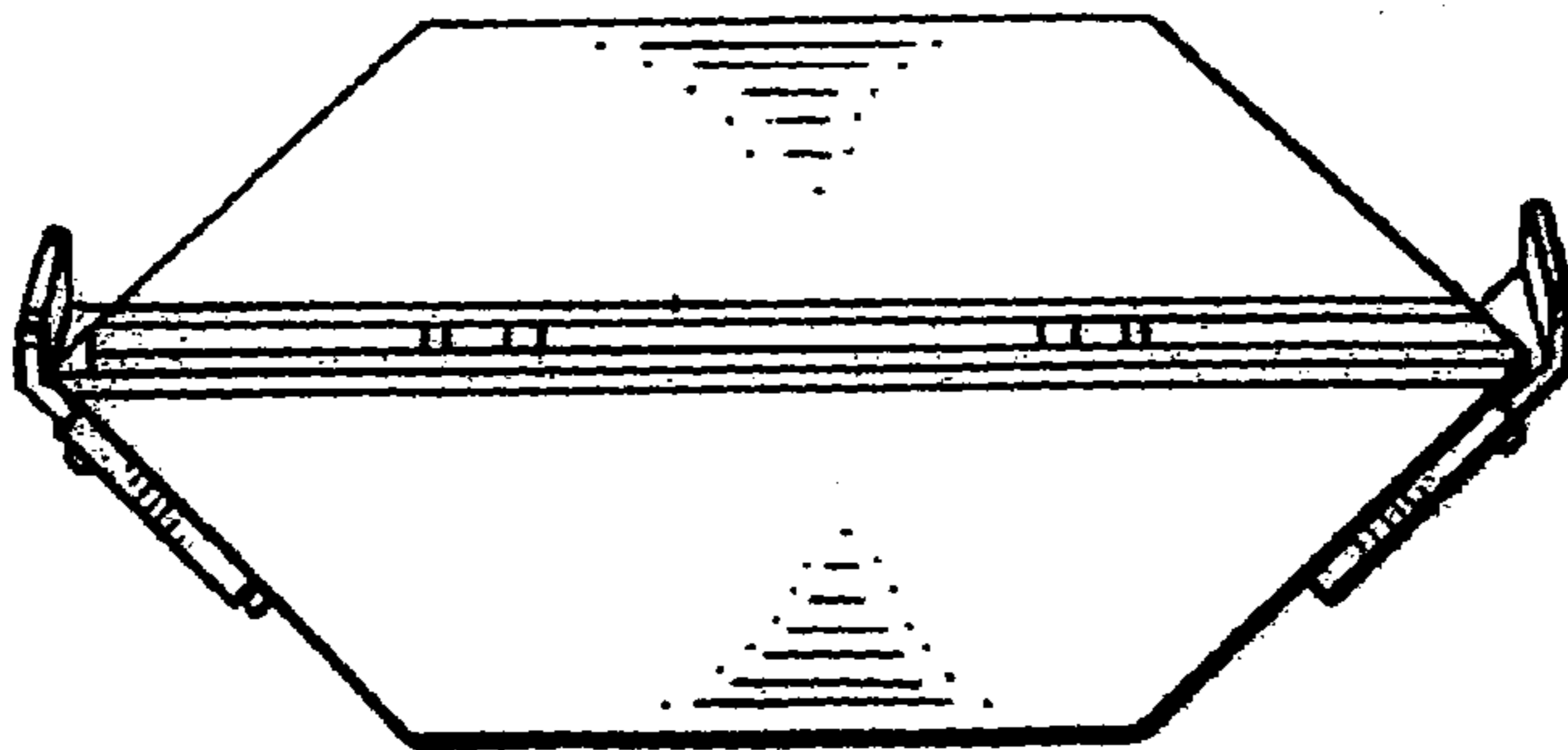


FIG. 5

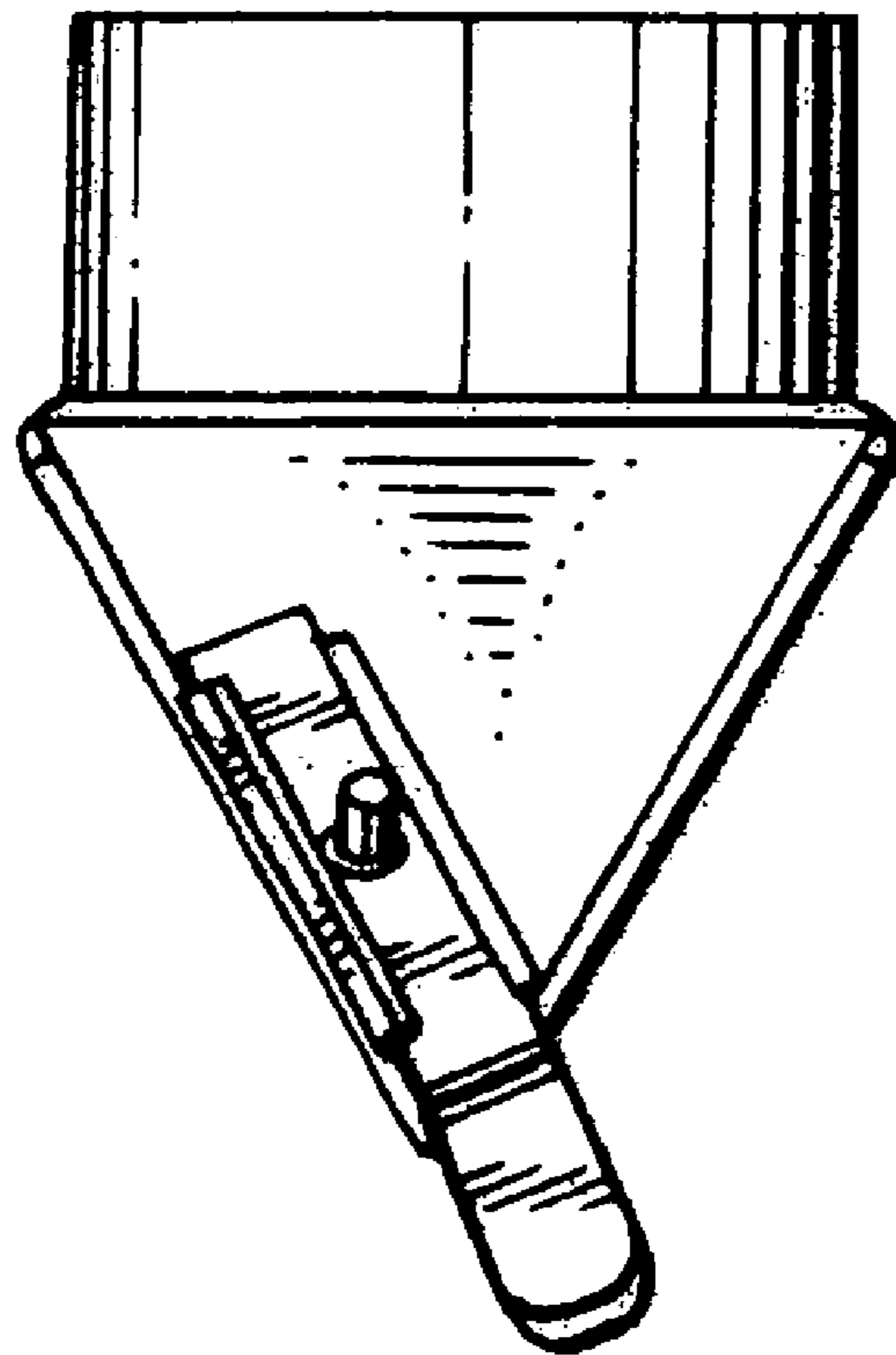


FIG. 6