



US00D572730S

(12) **United States Design Patent**
Sewell et al.

(10) **Patent No.:** **US D572,730 S**
(45) **Date of Patent:** **** Jul. 8, 2008**

(54) **FOUR WHEEL ARTICULATED TOOL CARRIER**

(75) Inventors: **Cody L. Sewell**, Perry, OK (US); **Jacob A. Hamburger**, Perry, OK (US); **Dennis E. Bass**, Perry, OK (US); **Stephen G. Miggels**, Wyckoff, NJ (US); **Christopher Barrow**, Queens Village, NY (US); **Henry Mack**, Phillipsburg, NJ (US)

(73) Assignee: **The Charles Machine Works, Inc.**, Perry, OK (US)

(**) Term: **14 Years**

(21) Appl. No.: **29/295,193**

(22) Filed: **Sep. 21, 2007**

(51) **LOC (8) Cl.** **15-03**

(52) **U.S. Cl.** **D15/22; D15/10**

(58) **Field of Classification Search** D15/10, D15/11, 12, 21, 22, 23, 28, 33; D12/14, D12/15; D34/16, 18, 19; 56/2; 172/256, 172/329, 332, 351, 354, 42-48; 280/418; 37/352, 363, 86, 191 A, 192 A, 465, 362, 37/421, 422; 180/6.64, 8.3, 418, 305, 19.1, 180/89.12; 414/744.1, 685-688, 699, 680; 298/1 C, 22 R, 7

See application file for complete search history.

(56) **References Cited**

U.S. PATENT DOCUMENTS

D153,255 S *	4/1949	Boza	D34/16
D159,877 S *	8/1950	Whiteman	D12/15
D159,987 S *	9/1950	Jones	D34/16
D166,817 S *	5/1952	Miller et al.	D34/16
2,835,055 A *	5/1958	Hermes	37/363
2,990,631 A *	7/1961	Brown	D7/363
D195,254 S *	5/1963	Keller et al.	D15/25
D196,297 S *	9/1963	Malzahn	D15/22
D205,485 S *	8/1966	Juhl et al.	D15/25
4,222,186 A *	9/1980	Molby	37/410

4,322,899 A *	4/1982	Clune	37/352
D266,765 S *	11/1982	Clune	D15/21
4,401,408 A *	8/1983	Gibert	414/687
4,402,352 A *	9/1983	Hodges	144/24.12
D281,428 S *	11/1985	Kent	D15/21
D294,032 S *	2/1988	Whiffin	D15/25
4,896,442 A *	1/1990	Stiff et al.	37/355
D319,063 S *	8/1991	Warren	D15/21
5,212,896 A *	5/1993	Hillard et al.	37/355

(Continued)

OTHER PUBLICATIONS

Burkeen Manufacturing Company, "TP16 Trencher-Plow", brochure, Olive Branch, Mississippi.

(Continued)

Primary Examiner—Stella M. Reid

Assistant Examiner—Mark A Goodwin

(74) *Attorney, Agent, or Firm*—Tomlinson & O'Connell, PC

(57) **CLAIM**

The ornamental design for a four wheel articulated tool carrier, as shown and described.

DESCRIPTION

FIG. 1 is a left side view of a four wheel articulated tool carrier showing our new design;

FIG. 2 is an enlarged rear view thereof;

FIG. 3 is an enlarged front view thereof;

FIG. 4 is a right side view thereof;

FIG. 5 is an enlarged top view thereof;

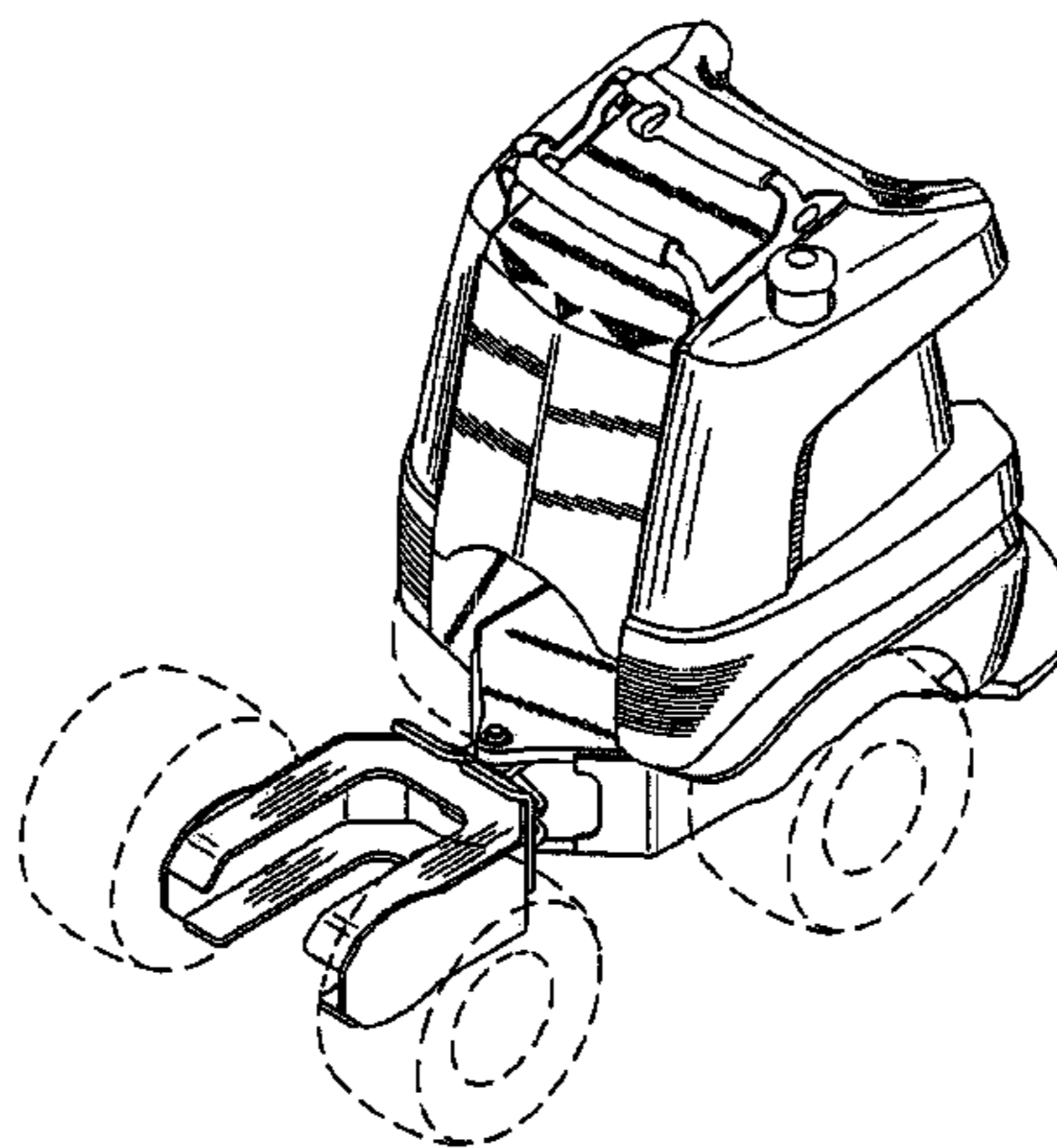
FIG. 6 is an enlarged bottom view thereof;

FIG. 7 is a front top left perspective view thereof; and,

FIG. 8 is front top right perspective view.

The broken line showing of the wheels is included for the purpose of illustrating portions of the four wheel articulated tool carrier and forms no part of the claimed design.

1 Claim, 8 Drawing Sheets



US D572,730 S

Page 2

U.S. PATENT DOCUMENTS

5,228,221	A *	7/1993	Hillard et al.	37/355	6,860,043	B1 *	3/2005	Heise et al.	37/352
D359,497	S *	6/1995	Rayner	D15/25	6,889,793	B2 *	5/2005	Okada et al.	180/435
D410,313	S *	5/1999	Dombek et al.	D34/19	6,955,404	B1 *	10/2005	Best et al.	298/1 C
D431,574	S *	10/2000	Porter	D15/25	6,962,209	B2 *	11/2005	Isaman et al.	172/19
6,151,811	A	11/2000	Barreto		6,997,667	B2 *	2/2006	Hackett et al.	414/685
6,155,648	A *	12/2000	Dombek et al.	298/1 C	D555,673	S *	11/2007	Hendron et al.	D15/22
D438,218	S *	2/2001	McIlwraith	D15/25	2001/0000641	A1 *	5/2001	Dombek et al.	298/7
6,322,151	B2 *	11/2001	Dombek et al.	298/1 C	2001/0040405	A1 *	11/2001	Jansen et al.	298/1 C
6,397,667	B1	6/2002	Fujii		2003/0095857	A1 *	5/2003	Degelman	414/685
6,397,967	B1 *	6/2002	McIlwraith	180/308	2003/0221399	A1 *	12/2003	Hall	56/2
6,425,452	B1 *	7/2002	Steiner et al.	180/233	2006/0119164	A1 *	6/2006	Heskin	298/1 C
D463,454	S *	9/2002	Miller et al.	D15/22	2007/0131437	A1 *	6/2007	Sewell	172/256
6,578,924	B2 *	6/2003	Jansen et al.	298/1 C	2007/0132204	A1 *	6/2007	Sewell	280/418
D479,535	S *	9/2003	Lange	D15/25					
6,619,754	B1 *	9/2003	Dombek et al.	298/1 C					
6,715,579	B1 *	4/2004	Hendron	280/764.1					
6,766,601	B2 *	7/2004	Dickins	37/363					
6,830,111	B2 *	12/2004	Page	172/42					
6,848,526	B2 *	2/2005	Burt et al.	180/69.4					

OTHER PUBLICATIONS

Burkeen Equipment & Supply Company, Walk Behind Trencher/
Plow, advertisement, 1981, Memphis, Tennessee.
Davis, "Davis Fleetline 12+2", brochure.

* cited by examiner

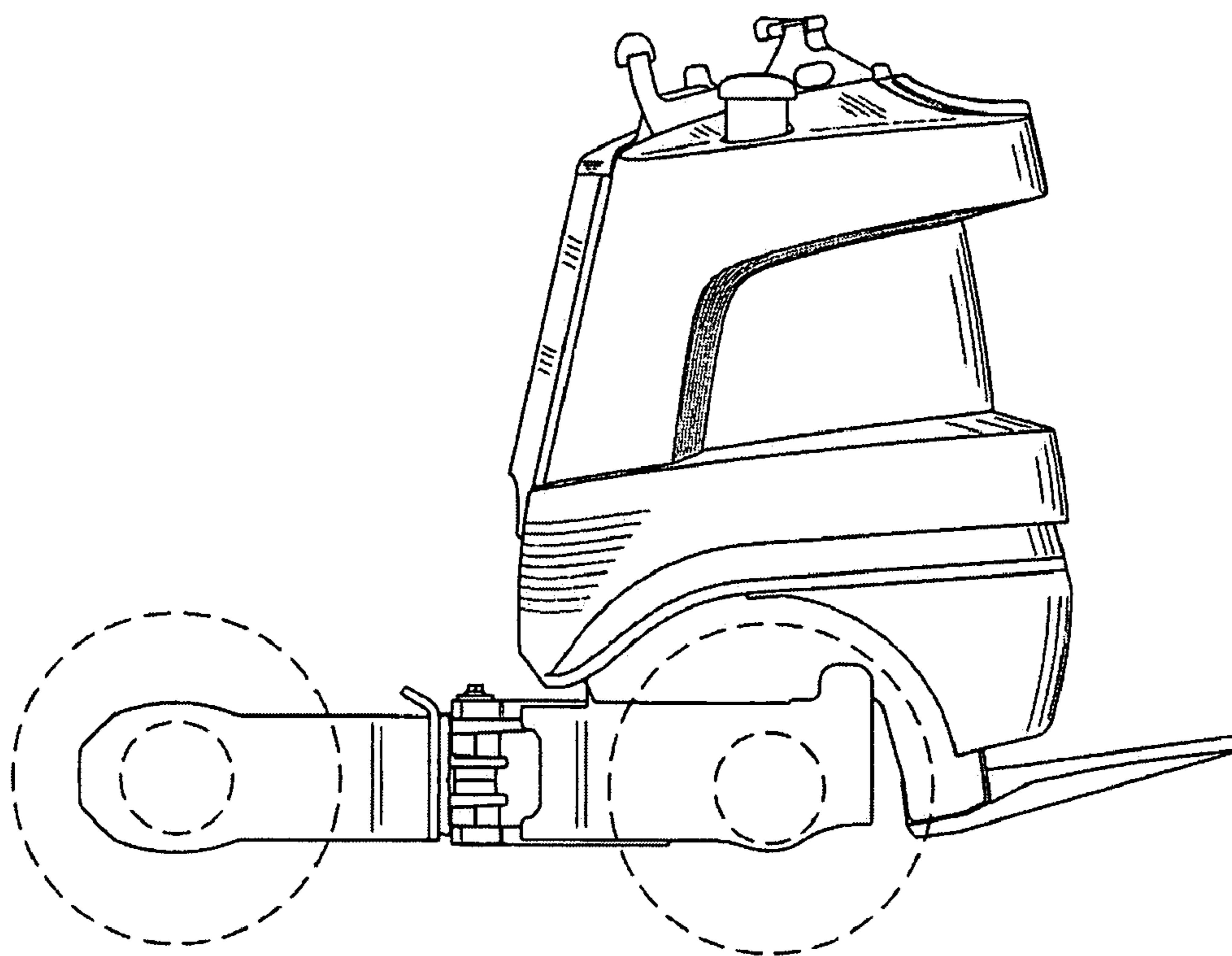


FIGURE 1

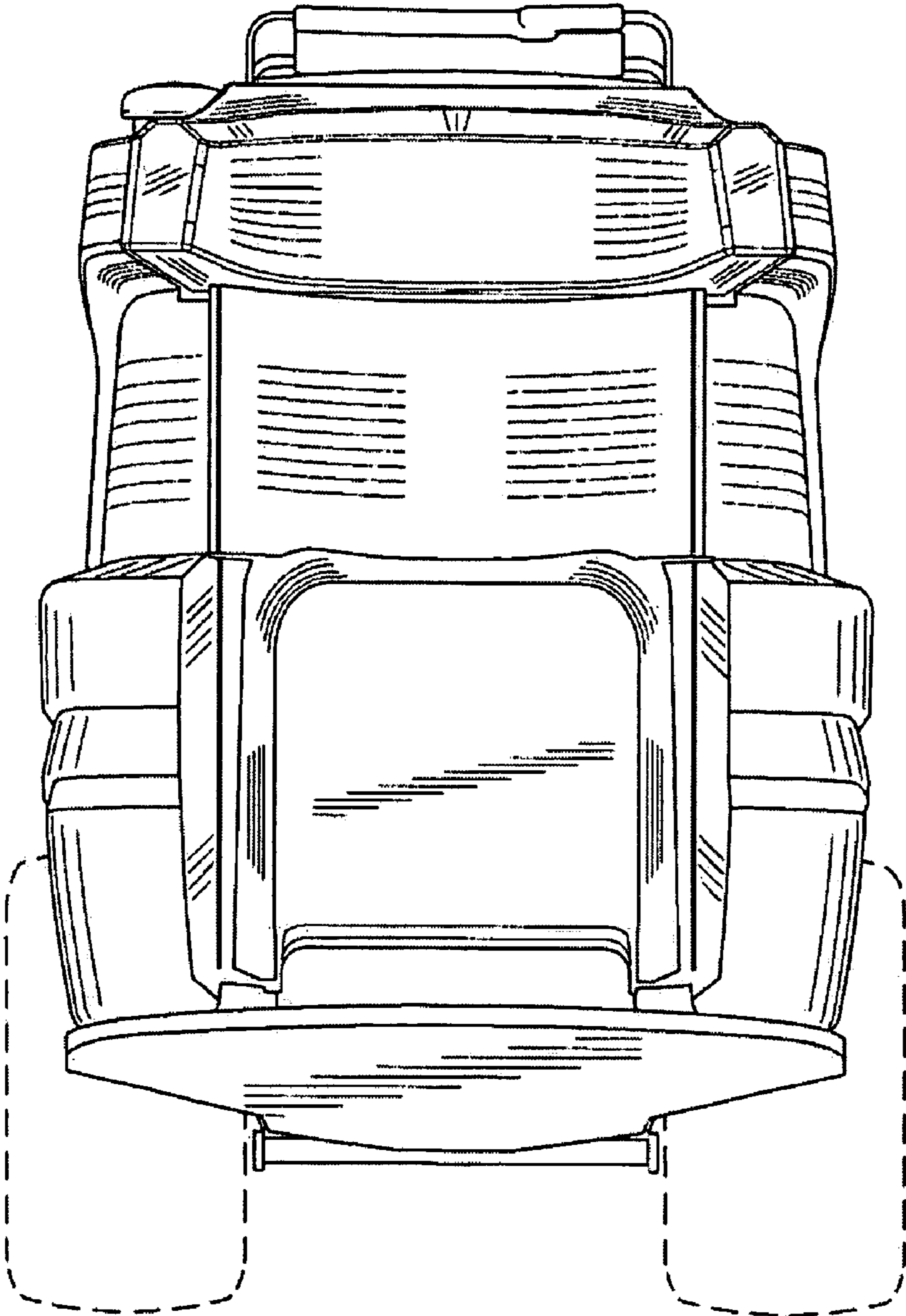


FIGURE 2

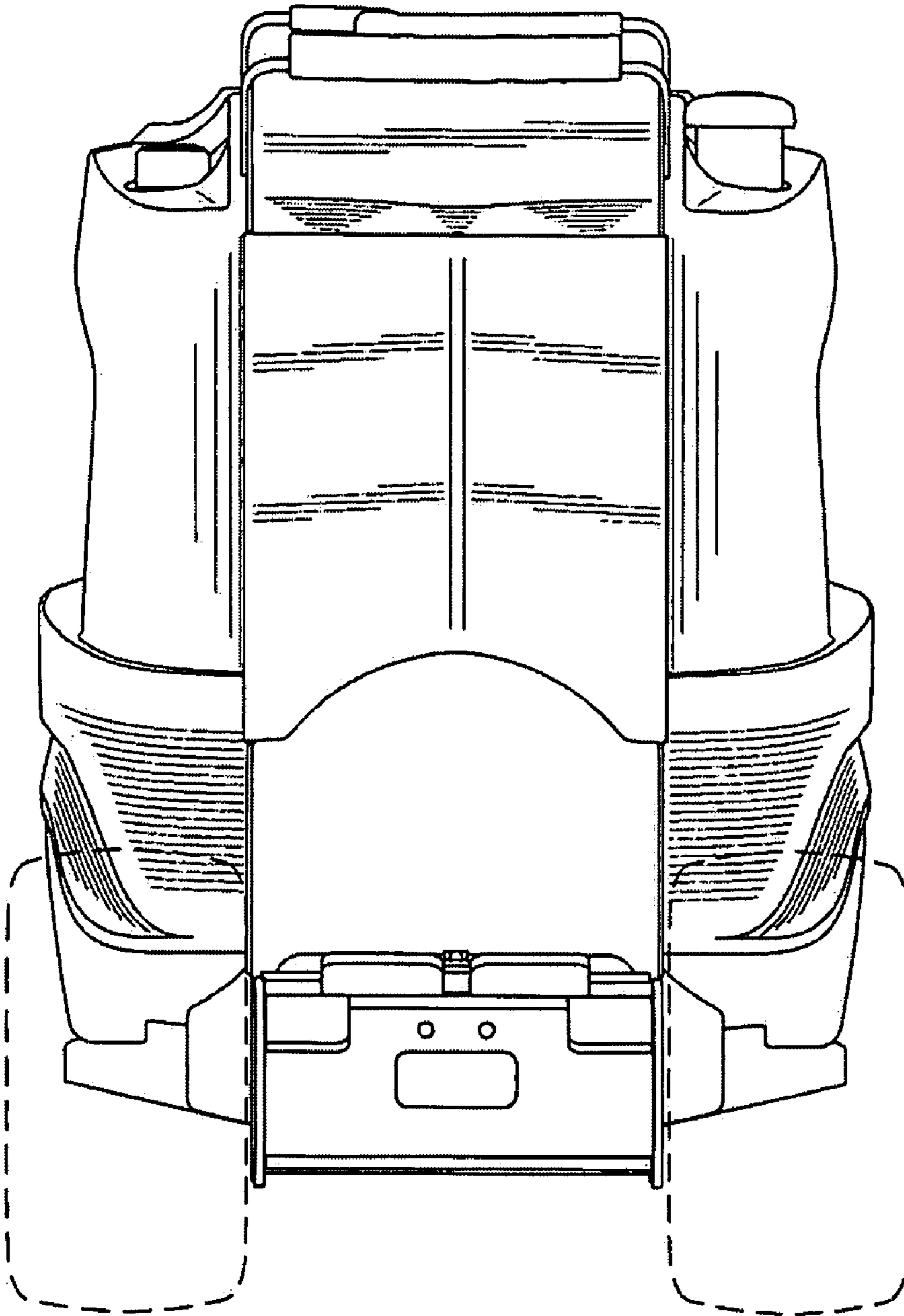


FIGURE 3

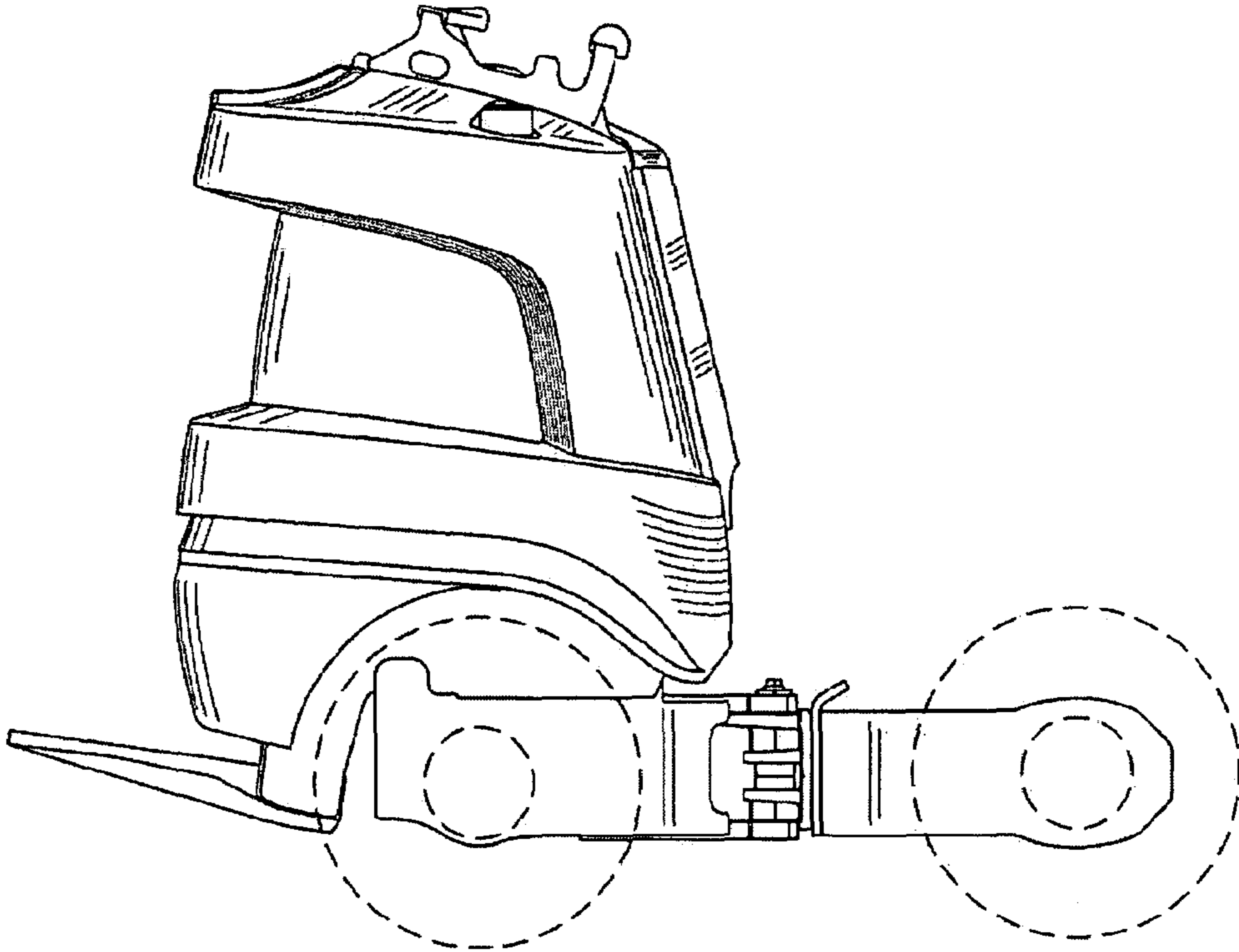


FIGURE 4

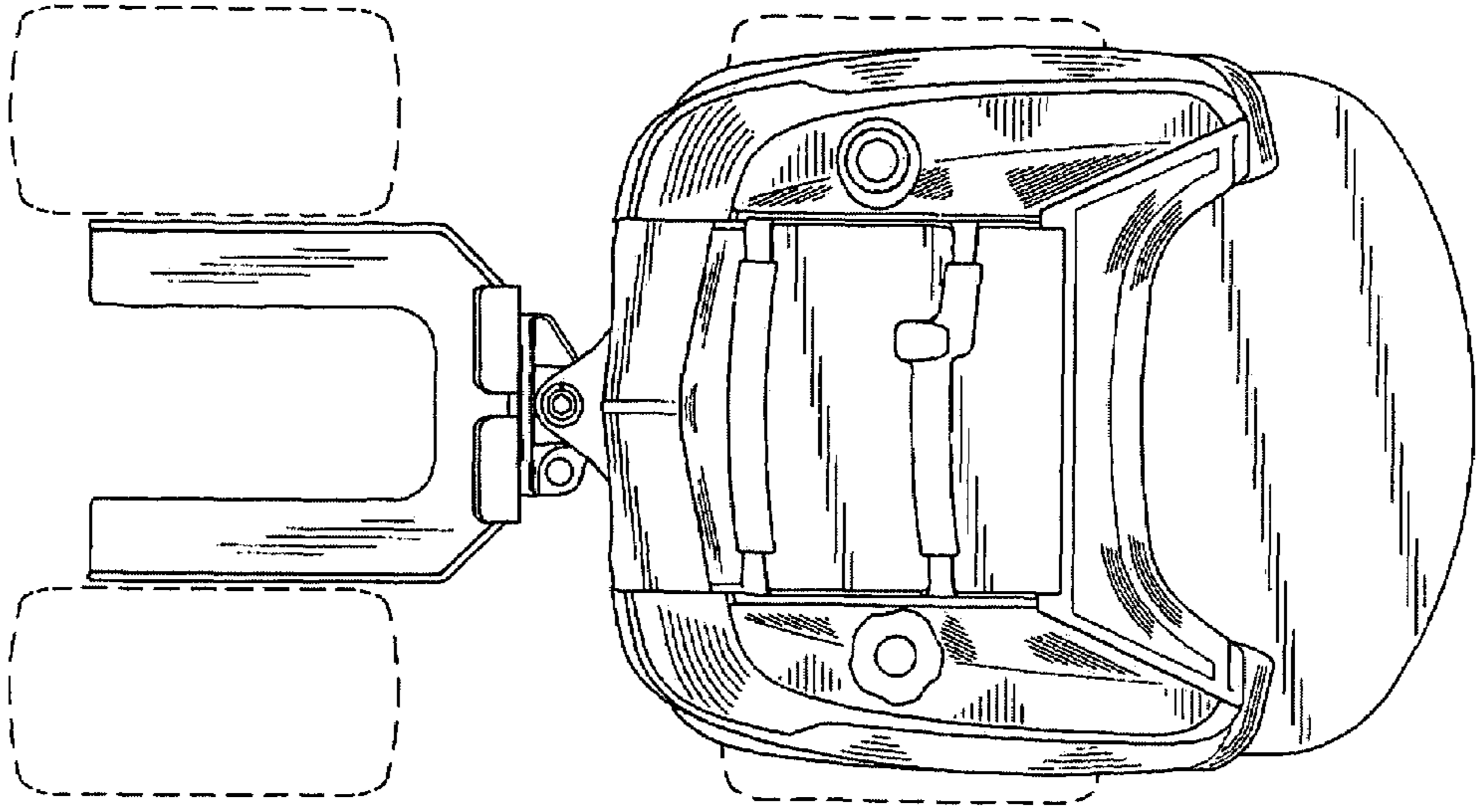


FIGURE 5

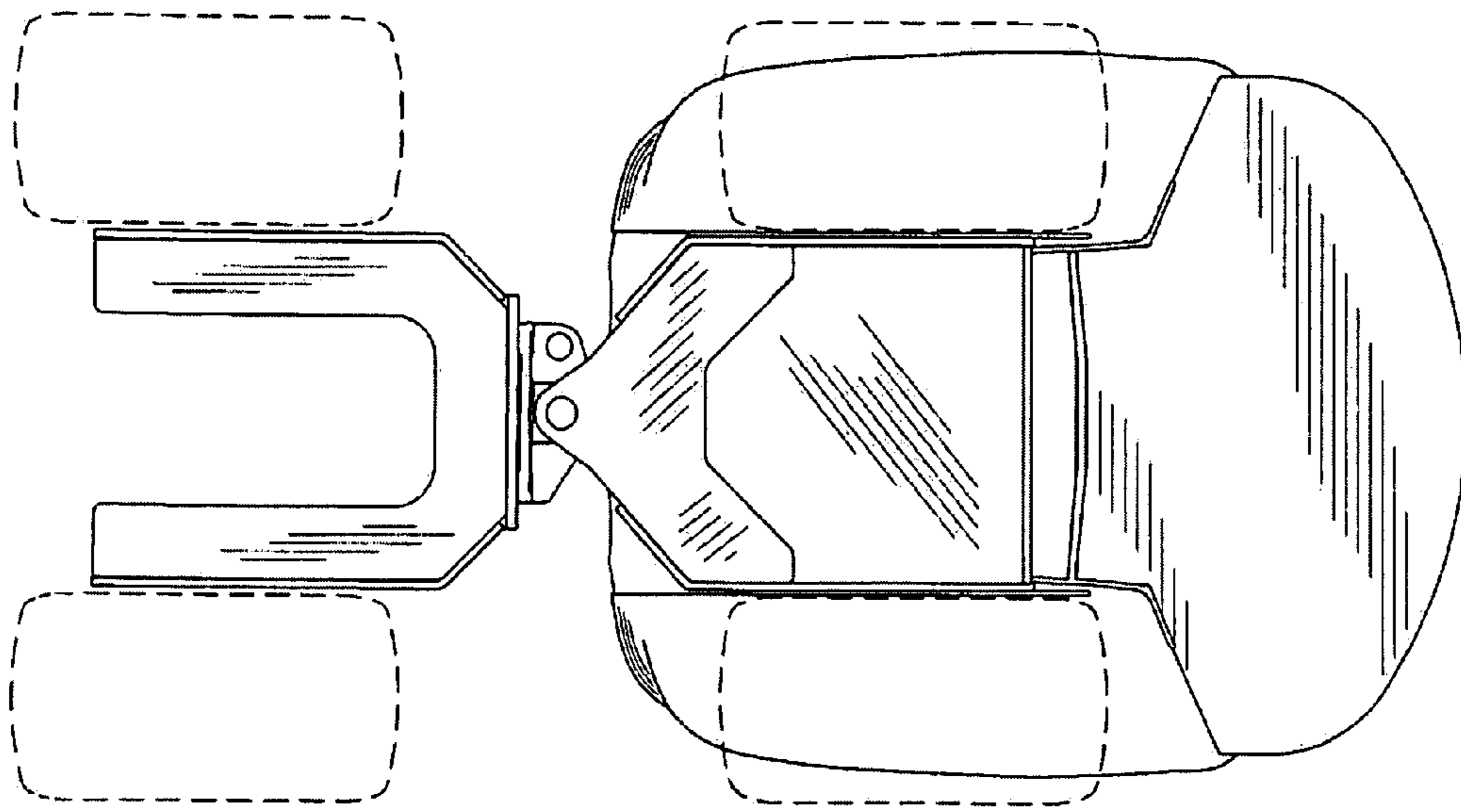


FIGURE 6

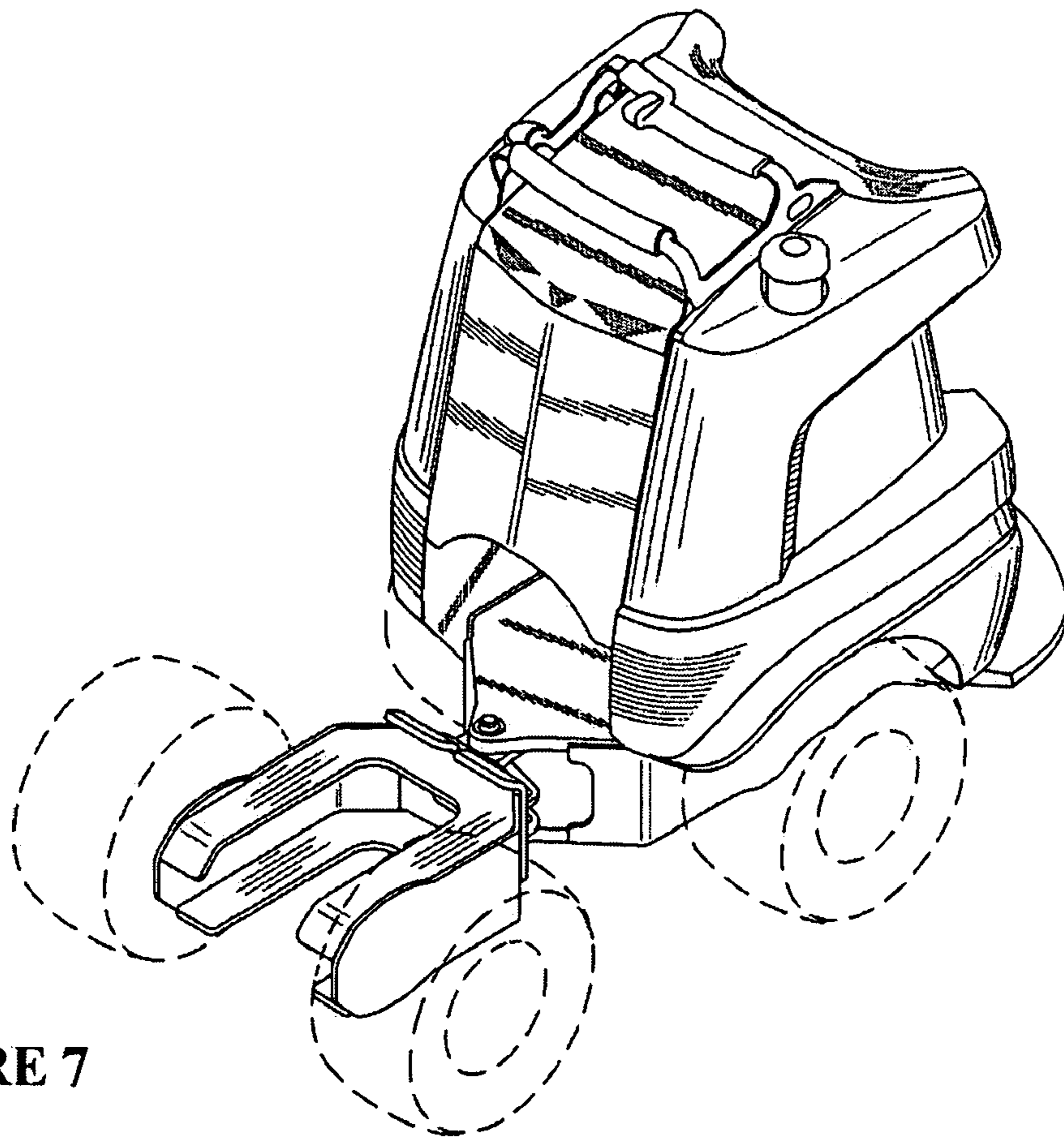


FIGURE 7

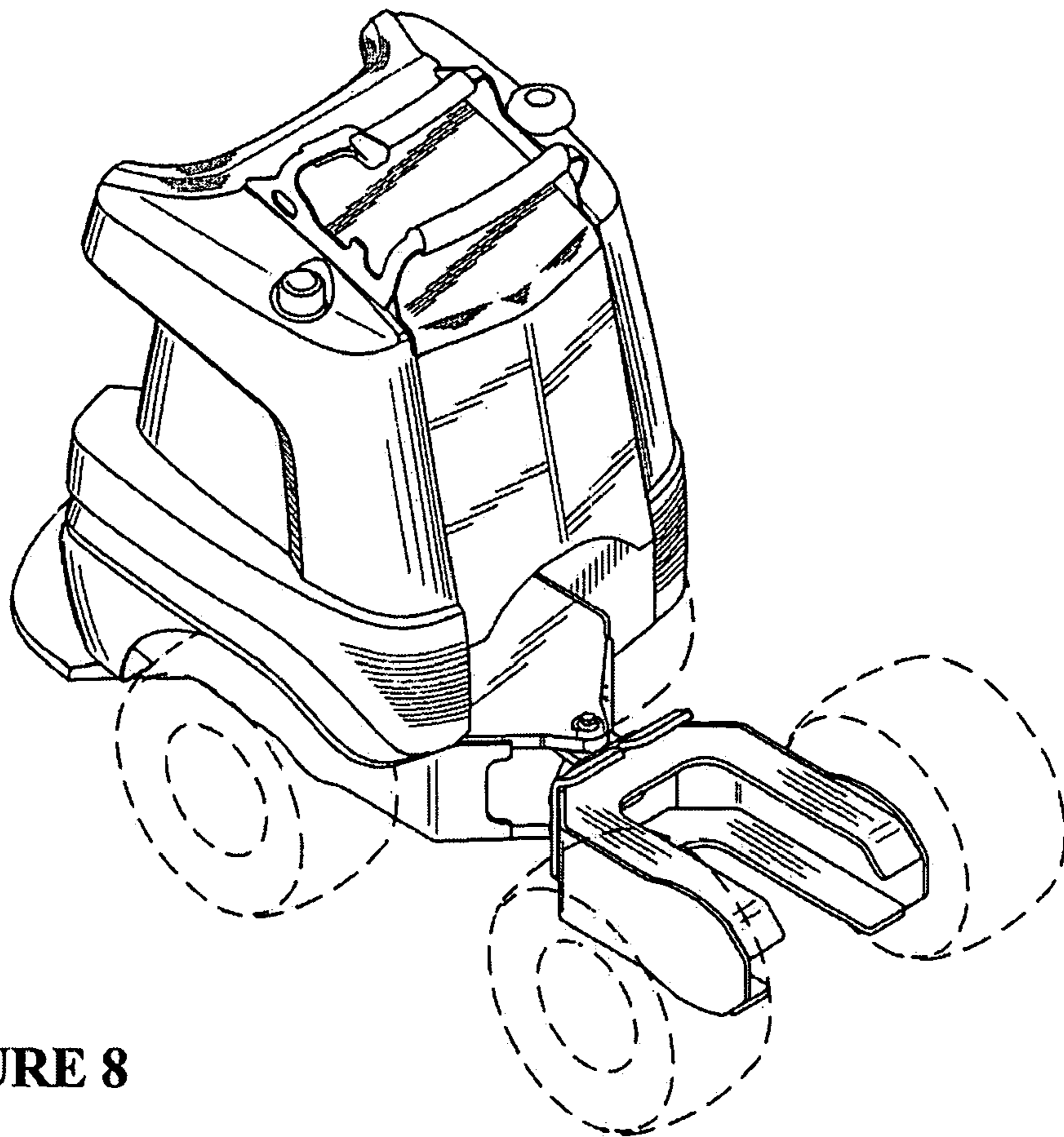


FIGURE 8